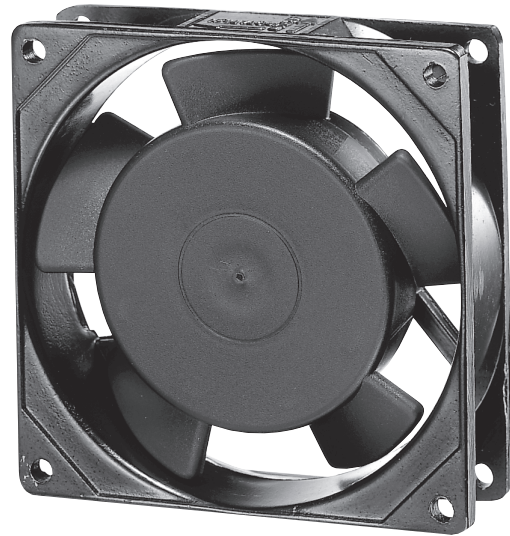


# COMMONWEALTH AC AXIAL FAN

## FP-108B

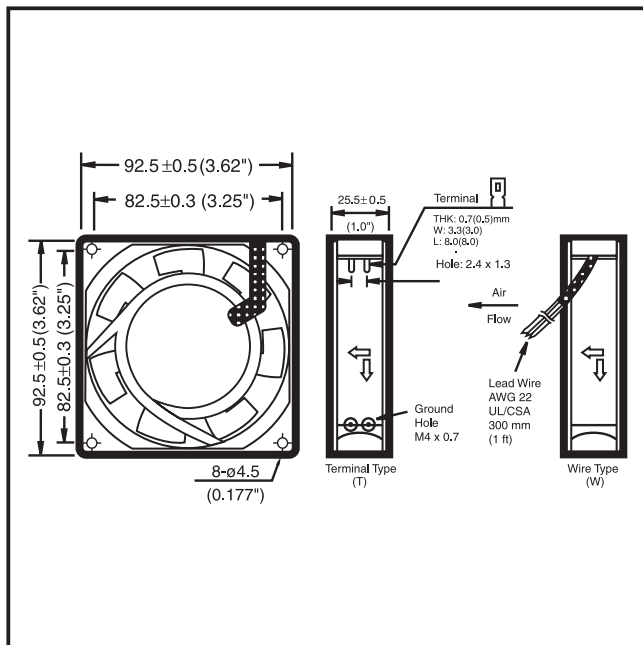
92x92x25.4mm BETA



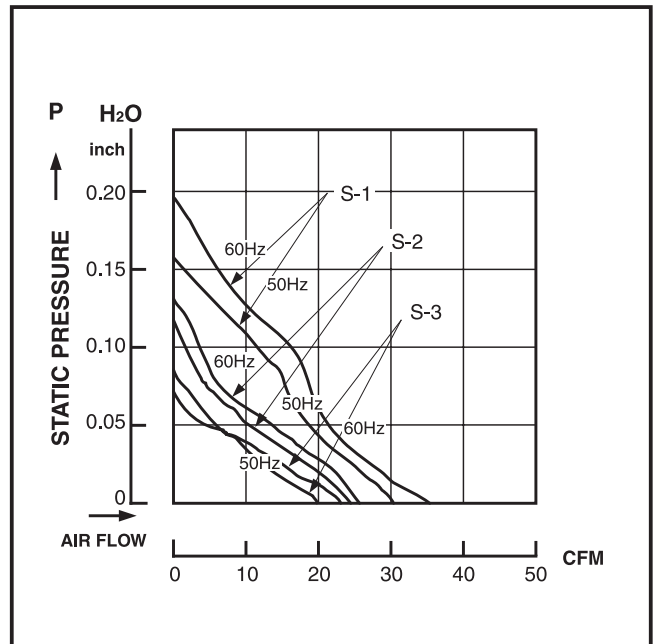
### DESIGN FEATURES

- \***BEARING SYSTEM:** SLEEVE BEARING & BALL BEARING
- \***IMPELLER:** PLASTIC WITH FIBER GLASS FILLED UL 94V-0
- \***HOUSING:** DIE CAST ALUMINUM & ZINC
- \***MOTOR:** SHADED POLE, IMPEDANCE PROTECTED
- \***CONNECTING:** TERMINAL & WIRE LEADS
- \***SPEED:** S-1 HIGH SPEED TYPE  
S-2 MEDIUM SPEED TYPE  
S-3 LOW SPEED TYPE
- \***OTHER VOLTAGE:** 24, 48, 100, 380AC (50/60Hz) ARE AVAILABLE

### DIMENSIONS:MM



### PERFORMANCE



### SPECIFICATIONS

Specifications are subject to change without notice

MODEL NO.	VOLT (VAC)	FREQUENCY (HZ)	AIR (CFM)	VOLUME (M <sup>3</sup> /MIN)	CURRENT (A)	POWER (W)	SPEED (RPM)	STATIC PRESSURE (INCH-H <sub>2</sub> O)	NOISE (dBA)
FP-108B (S-1)	110/120	50/60	30/36	0.85/1.00	0.21/0.20	19/17	2400/2800	0.16/0.20	35/37
FP-108B (S-1)	220/240	50/60	30/36	0.85/1.00	0.10/0.09	19/17	2400/2800	0.16/0.20	35/37
FP-108B (S-2)	110/120	50/60	25/28	0.71/0.77	0.07/0.06	12/10	2100/2400	0.13/0.14	28/30
FP-108B (S-2)	220/240	50/60	25/28	0.71/0.77	0.06/0.05	12/10	2100/2400	0.13/0.14	28/30
FP-108B (S-3)	110/120	50/60	21/22	0.62/0.60	0.06/0.05	8/6	1700/1900	0.10/0.09	22/24
FP-108B (S-3)	220/240	50/60	21/22	0.62/0.60	0.05/0.04	8/6	1700/1900	0.10/0.09	22/24