

Conductive Plastic Angle Sensor

CPP-35 Series

- Conductive Plastic Angle Sensor
- Effective Electrical Travel : 340°
- Independent Linearity : ±1% (Special Linearity : ±0.2%)
- Servo Mount & Screw Mount

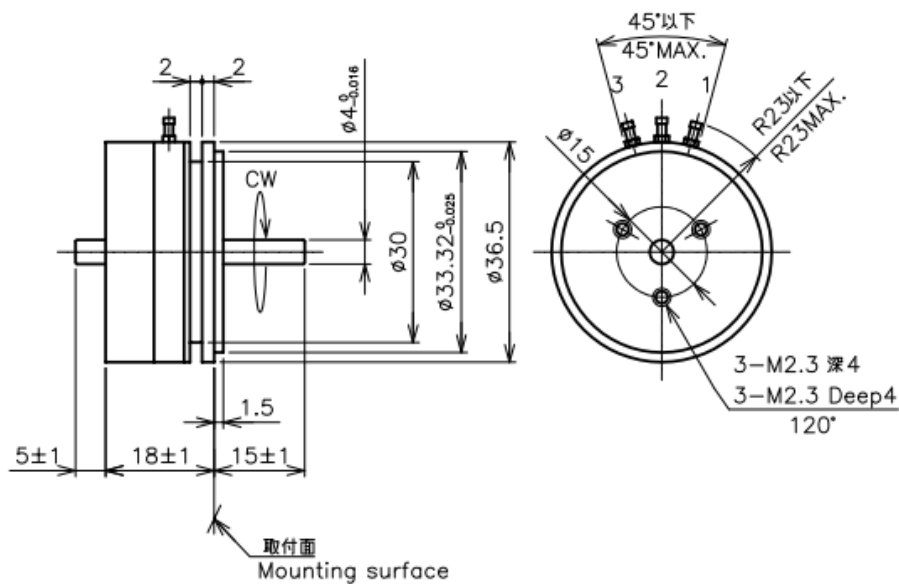
- CPP-35 : ϕ 4mm Shaft
- CPP-35B : ϕ 6mm Shaft

【Material】

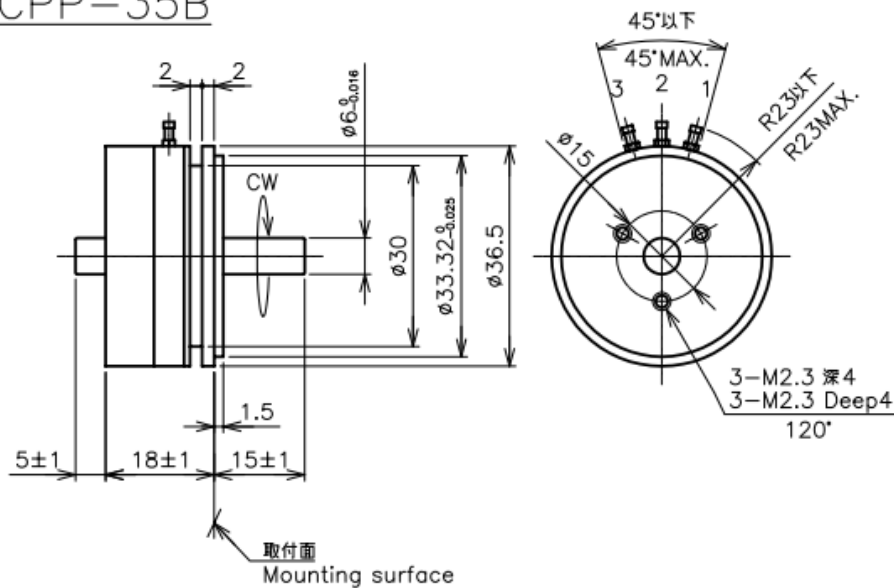
- Housing : Aluminum
- Shaft : Stainless Steel
- Ball Bearing : Stainless Steel

■ Dimension [mm]

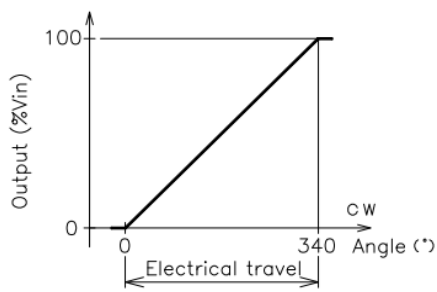
CPP-35



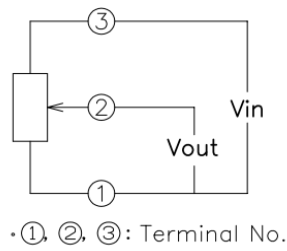
CPP-35B



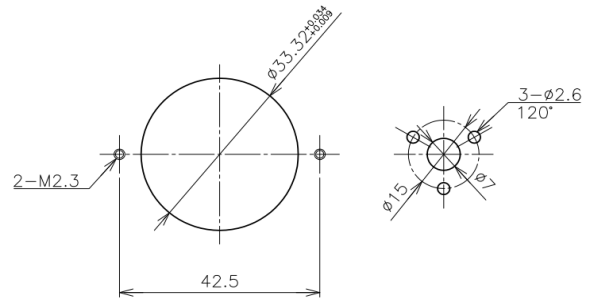
Output Characteristics



Schematic



Mounting



Servo Mount

Screw Mount

【Model No.】	CPP-35 < φ 4mm Shaft >	CPP-35B < φ 6mm Shaft >
-------------	---------------------------	----------------------------

【Electrical Specifications】

Effective Electrical Travel	340 +2, -3	°
Total Resistance	0.5, 1, 2, 5, 10	kΩ
Total Resistance Tolerance	±20	%
Independent Linearity	±1 (Special Linearity ±0.2%)	%
Rated Dissipation	2/70°C	W
Output Smoothness	MAX. 0.1	%
Insulation Resistance	MIN. 100/DC1000V	MΩ
Dielectric Strength	AC1000/1 Minute	V
Temperature Coefficient of Resistance	±400	ppm/K

【Mechanical Specifications】

Total Mechanical Travel	360 Endless	°	
Torque	MAX. 1.4 (Additional 1.2mN·m/add one gang)	mN·m	
Thrust Load Tolerance	2	3	N
Radial Load Tolerance	4	5	N
Mass	Approx. 40 (Additional 10g/add one gang)		g

【Environmental Specifications】

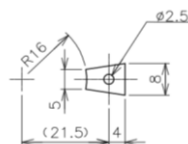
Life Cycles	10 Million	Cycle
Category Temperature Range	-40 ~ +100	°C
Storage Temperature Range	-40 ~ +100	°C
Vibration	150m/s ² 2000Hz 3 axis 2 hours each	
Shock	500m/s ² 11ms 6 directions 3 times	

Options

- Multi Ganging : More than 3 sections, please contact us.
- Additional Center Tap : C.T(A) ... No shorted angle
C.T(B) ... Shorted on Tap (Shorted angle 1~5°)

Accessories

Mounting Cleats : 2 pieces



t=1

Handling Instruction

- To avoid burnout of resistive element, do not supply more than 1mA current to terminal 2.
- Miswiring might cause burnout of resistive element.
- To reduce sliding noise, add load resistance should be more than 100times and less than 1000times of total resistance.
- Slight continuous vibration such as dither might cause short lifetime of the sensor.