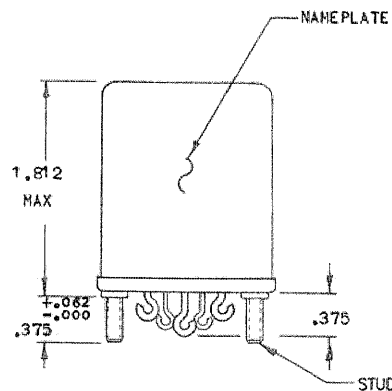
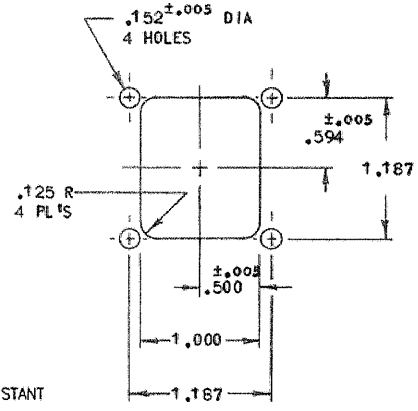


9224-4091_rev M.pdf:09/27/2010

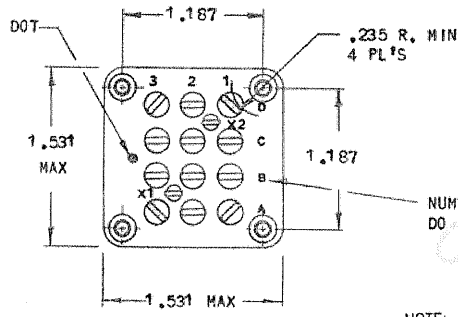
M	SEE EO 79821	4/29/10	V.E.	
SYM	REVISION	ECO#	DATE	APPD
F	REDRAWN FOR CLARITY, NO CHANGE	14824	6-14-63	AP
G	DELETED MS NO'S & G) CONTACT BOUNCE	15018	7-19-63	AP
H	(AT B), ADDED: 0.025 SEC AC	17265	7-1-64	AP
J	SEE EO	20521	10-20-64	AP
K	STEP B WAS 0.025 SEC AC, 0.025 SEC DC	28840	4-7-68	AP
L	REVISED PER EO. 55129	21591	12-1-68	AP



NAMEPLATE
 STUD, #6-32 UNC-2A
 NUT, #6, CORROSION RESISTANT
 WASHER, LOCK, SPLIT, #6, CORROSION RESISTANT
 WASHER, FLAT, #6, CORROSION RESISTANT
 4 EACH REQUIRED [1]

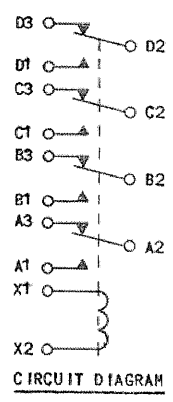


MOUNTING HOLE LAYOUT



NUMBERS FOR REFERENCE ONLY
 DO NOT APPEAR ON HEADER.

NOTE:
 [1] CADMIUM PLATED HARDWARE PROHIBITED.



CIRCUIT DIAGRAM

- L) MAX. DURATION OF CONTACT BOUNCE 0.002 SEC (J)
- K) RUPTURE 5 TIMES RATED LOAD
- J) OVERLOAD 4 TIMES RATED LOAD
- H) MAX DIELECTRIC: CONTACTS: COIL:
 - SEA LEVEL 1500 VRMS 1000 VRMS
 - ALTITUDE 350 VRMS 250 VRMS
- F) MAX DURATION OF CONTACT OPENING DURING SHOCK 0.001 SEC
- E) MIN CURRENT APPLICABLE
- D) MAX RELEASE TIME (DC) 0.020 SEC
- C) MAX RELEASE TIME (AC) 0.050 SEC
- B) MAX OPERATING TIME 0.025 SEC AC, 0.020 SEC DC (J) (H) (K)
- A) MIN OPERATING CYCLES 50,000

9224-4091
 9224-4076

MS NO.	CUSTOMER NO.	COIL	MAX. WT.	TYPE	LEACH NO.	COIL	NOMINAL	MAXIMUM	PICK-UP	DROP-OUT
(G)		DC	0.43 LB.	4 PDT	9224-4091	DC VOLTAGE @25°C	28	29	18 MAX	7 +0, -5.5
		AC	0.45 LB.	4 PDT	9224-4076	VOLTAGE @25°C	115 VAC	120	90 MAX	30 +0, -25
						CURRENT	400 CPS	.073	-	---

QUALIFICATION STATUS:	CONTACT RATED LOAD (AMPERES PER POLE)															
	TYPE OF LOAD	28 VOLTS DC					115 VOLTS AC, 400 CYCLES					115/200 VOLTS AC, 400 CYCLES				
		AS	AB	BB	CB	D10	AS	AB	BB	CB	D10	AS	AB	BB	CB	D10
CUSTOMER:																
MFR FED CODE 35344																
DIMENSIONS IN INCHES. TOLERANCES UNLESS OTHERWISE SPECIFIED: ±.010	RESISTIVE	10	10	10			10	10	10			10	10	10		
	INDUCTIVE	6	6	6			10	10	10			10	10	10		
	MOTOR	4	4	4			4	4	4			4	4	4		
	LAMP	2	2	2			2	2	2			2	2	2		
	MINIMUM															

DRAFTERMAN J. MAY 6-14-63	LEACH CORPORATION LEACH RELAY DIVISION LOS ANGELES, CALIF.	9224-4091	242-7802-002	
CHECKER [Signature] 6-14-63		9224-4076	242-7801-002	
ENGINEER [Signature] 6-14-63		TITLE RELAY, 10 AMP, 4 PDT, CLASS B9, SEALED, SOLDER HOOKS, STUD MOUNTING.		DRAWING NO. 9224-4091 4076
APPROVED [Signature] 6-14-63				REV. M
APPLICABLE SPECIFICATION MIL-R-6106 C				