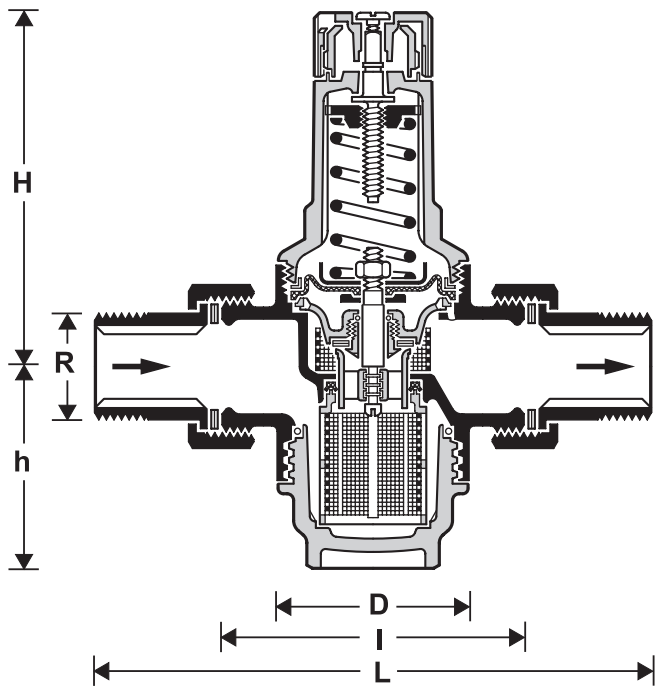




D06FA Pressure Reducing Valve 1 1/4" MBSP - Adjustable 1.5 - 6 bar with Clear Filter Bowl



Dimensions:

R:	1 1/4"
DN:	32
L:	200mm
I:	105mm
H:	111mm
h:	64mm
D:	61mm

Applications:

Pressure reducing valves of this type protect household water installations against excessive pressure from the supply. They can also be used for industrial or commercial applications within the range of their specification. By installing a pressure reducing valve, pressurisation damage is avoided and water consumption is reduced. The set pressure is also maintained constant, even when there is wide inlet pressure fluctuation. Reduction of the operating pressure and maintaining it at a constant level minimizes flow noise in the installation.

Special Features

- DVGW approved
- Up to size 1 1/4" approved for low noise, Group 1 without limitations
- The outlet pressure is set by turning the adjustment knob
- The set pressure is directly indicated on the set point scale
- The adjustment spring is not in contact with the potable water
- The valve insert is of high quality synthetic material and can be fully exchanged
- Integral fine filter
- Easily retrofitted to convert valve to a reverse-rinsing filter combination
- Can be retrofitted with an inlet non-return valve

Technical Data:

• Operating temp:	40°C
• Minimum pressure drop:	1 bar
• Max. inlet pressure:	16 bar
• Max. outlet pressure:	1.5 - 6 bar
• Medium:	Water
	Compressed Air
	Nitrogen

Construction

The pressure reducing valve comprises:

- Housing with pressure gauge connections on both sides
- Valve insert complete with diaphragm and valve seat
- Fine filter with 0.16 mm mesh
- Spring bonnet with adjustment knob and setting scale
- Clear Filter bowl
- Adjustment spring
- Pressure gauge not included

Materials

- Dezincification resistant brass housing
- Brass threaded connections
- High-quality synthetic material valve insert
- Stainless steel fine filter mesh
- High-quality synthetic material spring bonnet with adjustment knob and setting scale
- Spring steel adjustment spring
- Fibre-reinforced NBR diaphragm
- NBR seals

227-467-1302

www.advancedwater.co.uk

Advanced Water Company, Unit D5 The Enterprise Centre, Off Enterprise Way, Vale Park, Evesham
Worcestershire, WR11 1GS TEL: 01386 760066 FAX: 01386 760077 EMAIL: sales@advancedwater.co.uk