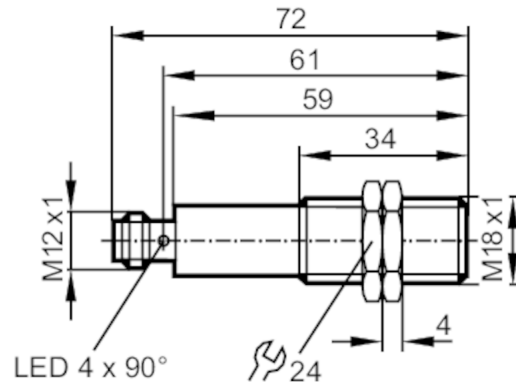


OGE703



Through-beam laser sensor receiver

OGELHPKG/US100



Product characteristics

Type of light	red light
Housing	Threaded type

Application

Function principle	Through-beam sensor
--------------------	---------------------

Electrical data

Operating voltage	[V]	10...36 DC
Current consumption	[mA]	11
Protection class		II
Reverse polarity protection		yes
Type of light		red light
Typ. lifetime	[h]	50000

Outputs

Electrical design		PNP
Output function		light-on mode
Max. voltage drop switching output DC	[V]	2.5
Permanent current rating of switching output DC	[mA]	200
Switching frequency DC	[Hz]	1000
Short-circuit protection		yes
Type of short-circuit protection		yes (non-latching)
Overload protection		yes

Monitoring range

Transmitter / receiver		receiver
Range	[m]	< 60
Range adjustable		yes
Diameter of the smallest detectable object	[mm]	3; (60 m)

OGE703



Through-beam laser sensor receiver

OGELHPKG/US100

Operating conditions		
Ambient temperature	[°C]	-10...60
Protection		IP 67; IP 68; IP 69K
Tests / approvals		
EMC		EN 60947-5-2
Mechanical data		
Weight	[g]	62.6
Housing		Threaded type
Dimensions	[mm]	M18 x 1 / L = 72
Thread designation		M18 x 1
Material		housing: stainless steel (1.4404 / 316L); PA; sealing: EPDM
Lens material		PMMA
Displays / operating elements		
Display	Switching status	1 x LED, yellow
Accessories		
Items supplied		lock nuts: 2 x
Remarks		
Pack quantity		1 pcs.
Electrical connection		

Connector: 1 x M12; coding: A



Connection

