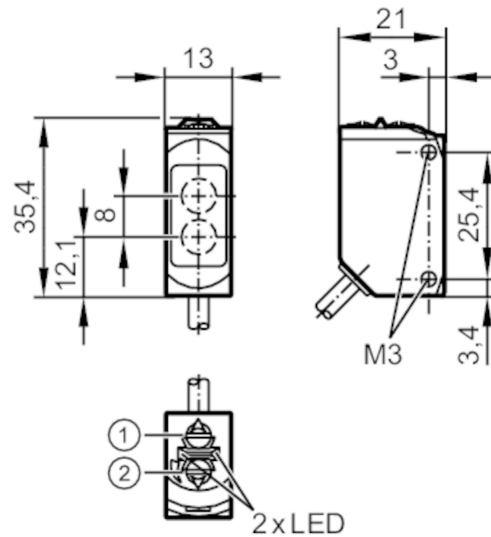


O6P211



Retro-reflective sensor

O6P-FPKG/5M/PH



- 1: output function switch
 2: potentiometer sensitivity
 Receiver in upper lens
 transmitter in lower lens



Product characteristics

Type of light	red light
Housing	rectangular

Application

System	polarization filter
Function principle	Retro-reflective sensor

Electrical data

Operating voltage	[V]	10...30 DC
Current consumption	[mA]	12; ((24 V))
Protection class		III
Reverse polarity protection		yes
Type of light		red light
Wave length	[nm]	633

Outputs

Electrical design		PNP
Output function		light-on/dark-on mode; (selectable)
Max. voltage drop switching output DC	[V]	2.5
Permanent current rating of switching output DC	[mA]	100
Switching frequency DC	[Hz]	1000
Short-circuit protection		yes
Type of short-circuit protection		yes (non-latching)

O6P211



Retro-reflective sensor

O6P-FPKG/5M/PH

Monitoring range		
Range referred to prismatic reflector	[m]	0.05...5; (Prismatic reflector Ø 80 E20005)
Range adjustable		yes
Max. light spot diameter	[mm]	150
Light spot dimensions refer to		at maximum range
Polarization filter available		yes
Operating conditions		
Ambient temperature	[°C]	-25...60
Storage temperature	[°C]	-40...70
Max. relative air humidity	[%]	50; (70° C)
Protection		IP 65; IP 67
Tests / approvals		
EMC		EN 60947-5-2
UL approval		UL approval number E008
Mechanical data		
Weight	[g]	123.2
Housing		rectangular
Dimensions	[mm]	35.4 x 13 x 21
Material		housing: ABS; PPSU; sealing: EPDM
Lens material		PMMA
Lens alignment		Side sensing
Tightening torque	[Nm]	0.5
Displays / operating elements		
Display	Switching status	1 x LED, yellow
	Power	1 x LED, green
Remarks		
Remarks		cULus - Class 2 source required
Pack quantity		1 pcs.

O6P211



Retro-reflective sensor

O6P-FPKG/5M/PH

Electrical connection

Cable: 5 m, PUR; 3 x 0.25 mm²

Connection

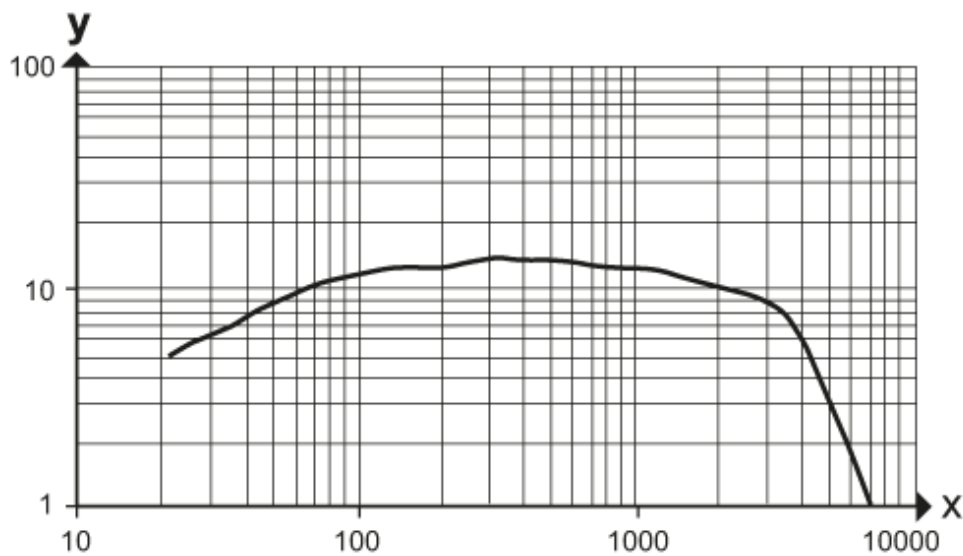


Core colors :

BN = brown
BK = black
BU = blue

Diagrams and graphs

excess gain graph



x: distance [mm]

y: excess gain factor