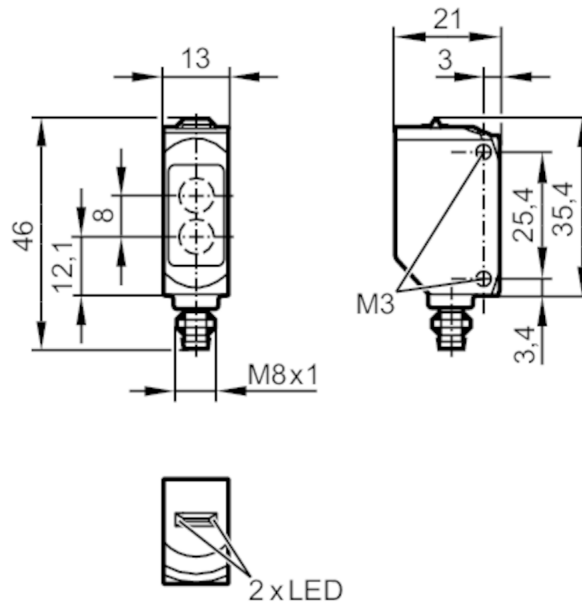


O6H212



Diffuse reflection sensors with background suppression

O6H-HPKG/AS/4P



Receiver in upper lens
transmitter in lower lens



Product characteristics	
Type of light	red light
Housing	rectangular
Application	
System	Background suppression
Function principle	Diffuse reflection sensor
Electrical data	
Operating voltage [V]	10...30 DC
Current consumption [mA]	22; ((24 V))
Protection class	III
Reverse polarity protection	yes
Type of light	red light
Wave length [nm]	633
Outputs	
Electrical design	PNP
Output function	light-on mode
Max. voltage drop switching output DC [V]	2.5
Permanent current rating of switching output DC [mA]	100
Switching frequency DC [Hz]	1000
Short-circuit protection	yes
Type of short-circuit protection	yes (non-latching)

O6H212



Diffuse reflection sensors with background suppression

O6H-HPKG/AS/4P

Monitoring range		
Range	[mm]	< 200; (white paper 200 x 200 mm)
Range on white object (90 % remission)	[mm]	< 200
Range on grey object (18 % remission)	[mm]	4...200
Range on black object (6 % remission)	[mm]	8...200
Max. light spot diameter	[mm]	8
Light spot dimensions refer to		at maximum range
Background suppression available		yes

Operating conditions		
Ambient temperature	[°C]	-25...60
Protection		IP 65; IP 67

Tests / approvals		
EMC		EN 60947-5-2
MTTF	[years]	1113
UL approval		UL approval number E001

Mechanical data		
Weight	[g]	13
Housing		rectangular
Dimensions	[mm]	46 x 13 x 21
Material		housing: ABS; PPSU
Lens material		PMMA
Lens alignment		Side sensing
Sealing material		EPDM
Tightening torque	[Nm]	0.5

Displays / operating elements		
Display	Switching status	1 x LED, yellow
	Power	1 x LED, green

Remarks		
Remarks		cULus - Class 2 source required
Pack quantity		1 pcs.

Electrical connection

Connector: 1 x M8; coding: A; Locking: brass, coated; sealing: EPDM

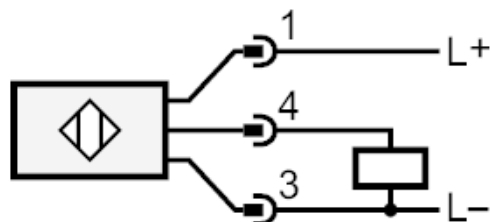




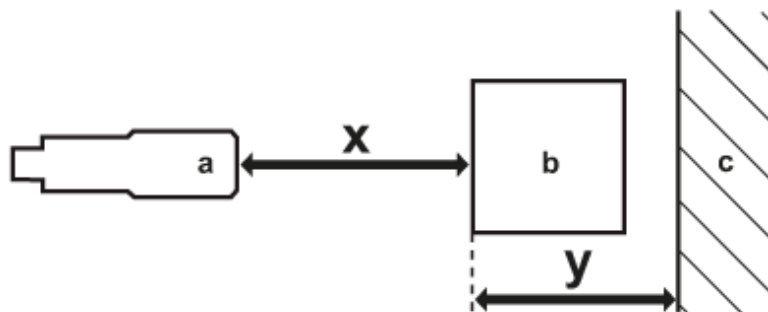
Diffuse reflection sensors with background suppression

O6H-HPKG/AS/4P

Connection



Diagrams and graphs



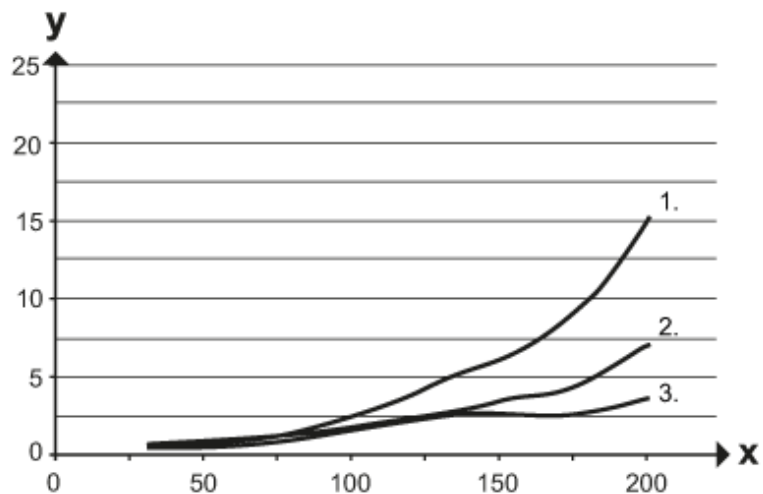
- a: sensor
- b: object
- c: background
- x: distance sensor/object [mm]
- y: min. distance object/background [mm]



Diffuse reflection sensors with background suppression

O6H-HPKG/AS/4P

Background suppression chart



x: distance sensor/object [mm]

y: min. distance object/background [mm]

1 = object black (6 % remission) , background (white 90 % remission)

2 = object grey (18 % remission) , background (white 90 % remission)

3 = object white (90 % remission) , background (white 90 % remission)