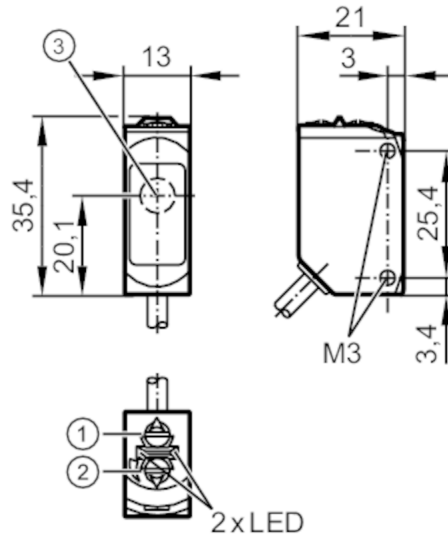


O6E201



Through-beam sensor receiver

O6E-FPKG/0,30m/US



- 1 output function switch
- 2 potentiometer sensitivity
- 3 Light incidence



Product characteristics

| | |
|---------------|-------------|
| Type of light | red light |
| Housing | rectangular |

Application

| | |
|--------------------|---------------------|
| Function principle | Through-beam sensor |
|--------------------|---------------------|

Electrical data

| | | |
|-----------------------------|------|-------------|
| Operating voltage | [V] | 10...30 DC |
| Current consumption | [mA] | 7; ((24 V)) |
| Protection class | | III |
| Reverse polarity protection | | yes |
| Type of light | | red light |
| Wave length | [nm] | 633 |

Outputs


| | | |
|---|------|-------------------------------------|
| Electrical design | | PNP |
| Output function | | light-on/dark-on mode; (selectable) |
| Max. voltage drop switching output DC | [V] | 2.5 |
| Permanent current rating of switching output DC | [mA] | 100 |
| Switching frequency DC | [Hz] | 1000 |
| Short-circuit protection | | yes |
| Type of short-circuit protection | | yes (non-latching) |

O6E201



Through-beam sensor receiver

O6E-FPKG/0,30m/US

| Monitoring range | | |
|---|--------------------|-----------------------------------|
| Transmitter / receiver | | receiver |
| Range [m] | | < 10 |
| Range adjustable | | yes |
| Operating conditions | | |
| Ambient temperature [°C] | | -25...60 |
| Protection | | IP 65; IP 67 |
| Tests / approvals | | |
| EMC | EN 60947-5-2 | |
| MTTF [years] | | 956 |
| UL approval | UL approval number | E012 |
| Mechanical data | | |
| Weight [g] | | 33.2 |
| Housing | | rectangular |
| Dimensions [mm] | | 35.4 x 13 x 21 |
| Material | | housing: ABS; PPSU; sealing: EPDM |
| Lens material | | PMMA |
| Lens alignment | | Side sensing |
| Tightening torque [Nm] | | 0.5 |
| Displays / operating elements | | |
| Display | Switching status | 1 x LED, yellow |
| | Power | 1 x LED, green |
| Remarks | | |
| Remarks | | cULus - Class 2 source required |
| Pack quantity | | 1 pcs. |
| Electrical connection | | |
| Cable: 0.3 m, PUR; 3 x 0.25 mm ² | | |
| Connector: 1 x M12; coding: A | | |
|  | | |



Through-beam sensor receiver

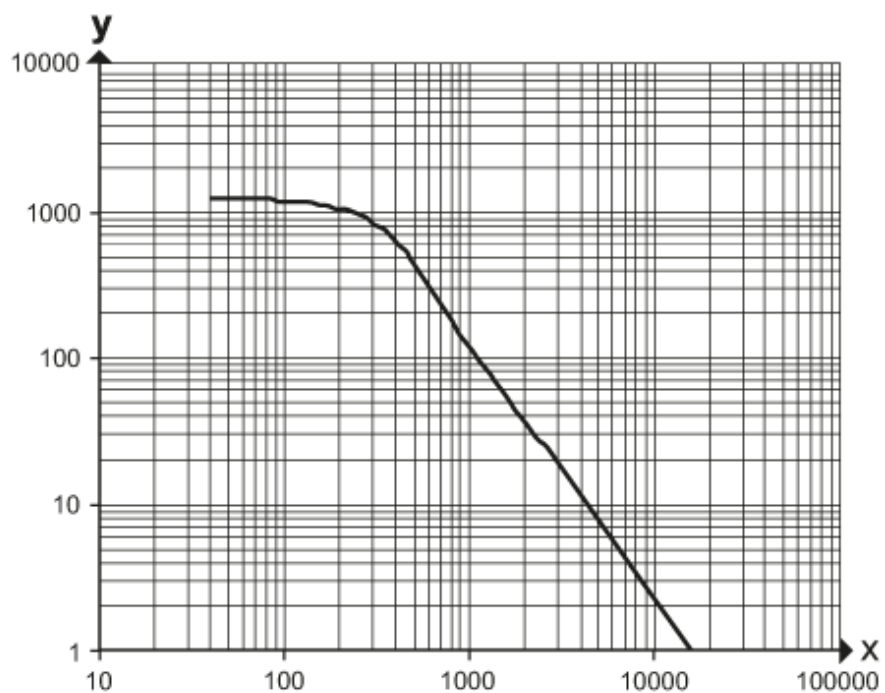
O6E-FPKG/0,30m/US

Connection



Diagrams and graphs

excess gain graph



x: distance [mm]

y: excess gain factor