

Proximity Magnetic Sensors Explosive Environment Level Sensors ILM Atex Series - Encapsulated



- Spherical or cylindrical AISI316 stainless steel housing
- Encapsulated, NO or CO output function
- PVC cable or silicone cable
- According to EN 60079-0 and 60079-18
- Atex certified



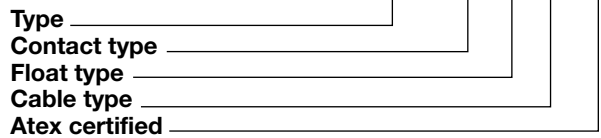
Product Description

These products have been developed and approved to be used in potentially explosive areas, applying protection methods, in accordance with EN 60079-0 normative (Electrical apparatus for

potentially explosive atmospheres. General requirements) and EN 60079-18 (Encapsulation "m"). ILM magnetic sensors are in category 2, suitable for zone 1 or 2 (gas), 21 or 22 (dusts).

Ordering Key

ILM A2 C SL EX



Atex Marking

As for 94/9/EC (ATEX) Directive, products are marked:



II 2G Ex mb IIC T5 Gb
II 2D Ex mb IIIC T 100°C Db IP67

Marking as for ATEX directive: **II 2 G** or **II 2 D**

- **II**: group, it identifies the surface industry.
- **2**: high protection category, allowing use in areas where an explosive atmosphere is likely to occur in normal operation (zone 1 and 21, covering also zone 2 and 22).
- **G**: presence of gases, vapours and mists (zone 1).
- **D**: presence of explosive dust (zone 21).
- **Ex**: product realized for use in explosive environments.
- **mb**: level of protection for encapsulation. The device is not capable of causing ignition in normal operation and in defined failure conditions.
- **IIC**: group of explosive gases (Hydrogen/Acetylene, valid also for groups IIA-Propane and IIB-Ethylene).
- **IIIC**: group of explosive dust (conductive dust, valid also for group IIIA-combustible flyings and IIIB-non conductive dust).
- **T5**: maximum surface temperature 100°C (gas or vapour ignition temperature > 100°C).
- **T 100°C IP67**: max surface temperature and protection degree, with reference to presence of explosive dusts.
- **Gb, Db**: equipment protection level respectively for gas and dust, according to EN60079-0. Equipment with high level of protection, which is not source of ignition in normal operation or during expected malfunctions.

Type Selection

Float type	Output function	Cable type	Reference
Cylindrical, AISI 316 stainless steel	NO	2m, silicone	ILM A2 C SL EX
Spherical, AISI 316 stainless steel	NO	2m, silicone	ILM A2 S SL EX
Cylindrical, AISI 316 stainless steel	CO	2m, PVC	ILM S2 C EX
Spherical, AISI 316 stainless steel	CO	2m, PVC	ILM S2 S EX



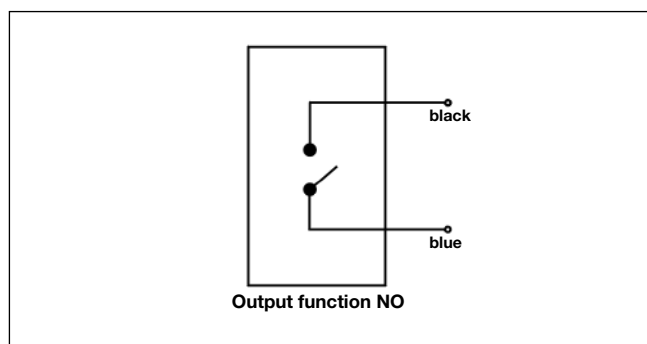
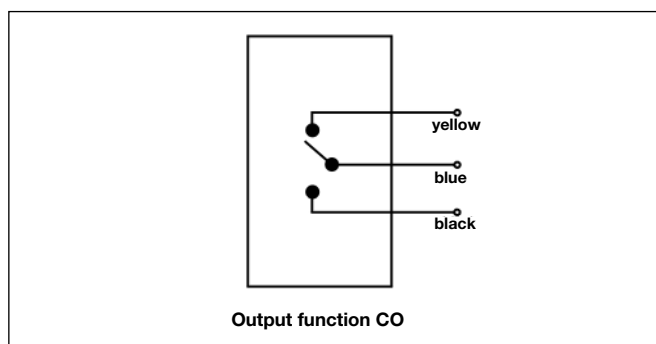
Output Specifications

Output	ILMA2 ILMS2	Normally open Change-over
Contact ratings		
NO output function		
Max Switching Voltage		250 VAC/DC
Max Switching Current		3 A
Max Switching Power		100 VA
CO output function		
Max Switching Voltage		230 VAC/DC
Max Switching Current		1 A
Max Switching Power		60 VA

General Specifications

Operating temperature	-20 to +60 °C
Degree of protection	IP 68 (cable output IP67)
Float	
Diameter	Ø 53 mm
ILMxxS	45 x 55 mm
ILMxxC	AISI 316 stainless steel
Material	
Shape	
ILMxxS	Spherical
ILMxxC	Cylindrical
Min. liquid specific gravity	0.75 kg/dm ³
Maximum pressure	20 Kg/cm ²
Approvals	ATEX
CE-marking	Yes

Wiring Diagrams



Dimensions

