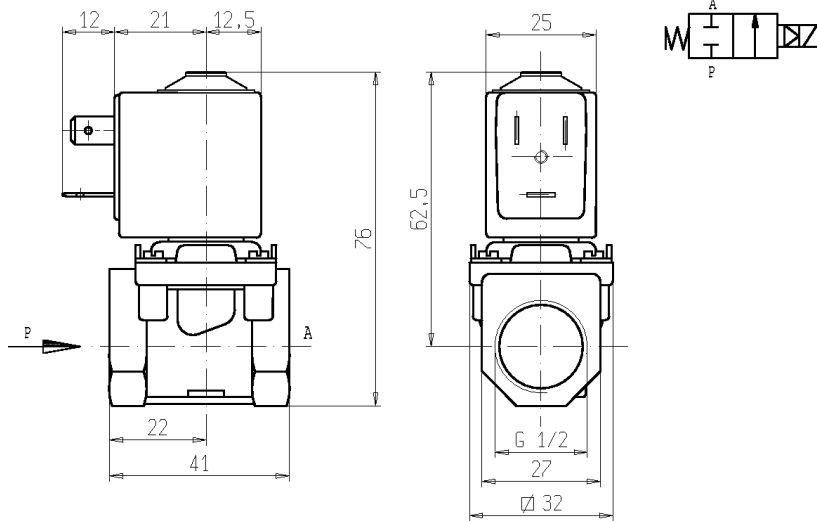




SOLENOID VALVE
2/2 - NC (Normally closed)
Pilot operated
G1/2

L140



► **GENERAL FEATURES**

Diaphragm valve, pilot operated, having full orifice.
 Suitable to shut off liquid and gaseous fluids (verify the compatibility of fluid with materials in contact).

► **TECHNICAL FEATURES**

Maximum allowable pressure (PS) 16 bar
Opening time ~30ms
Closing time ~50ms
Fluid temperature -10°C +90°C (NBR)
 0°C +100°C (FPM)
 -10°C +100°C (EPDM)
Max viscosity 5°E (~37 cStokes or mm²/s)

► **MATERIALS IN CONTACT WITH FLUID**

Body Brass
Sealing NBR or FPM or EPDM
Internal components Stainless steel and POM (acetal copolymer)
Seat Brass
Guide assembly Stainless steel
Shading ring Copper

► **COIL**

Continuous duty ED 100%
Encapsulation material PET (polyethylene terephthalate) fiberglass reinforced
Insulation class F (155°C) on request class H (180°C) - UL
Ambient temperature -10°C +60°C
Electric connections DIN 46340 - 3 poles connectors
Protection degree IP 65 (EN 60529) with plug connector
Voltages AC 24V/50-60Hz - 110V/50-60Hz (120V/60Hz)
 230V/50-60Hz (+10% -15%)
 (Other voltages and frequencies on request)

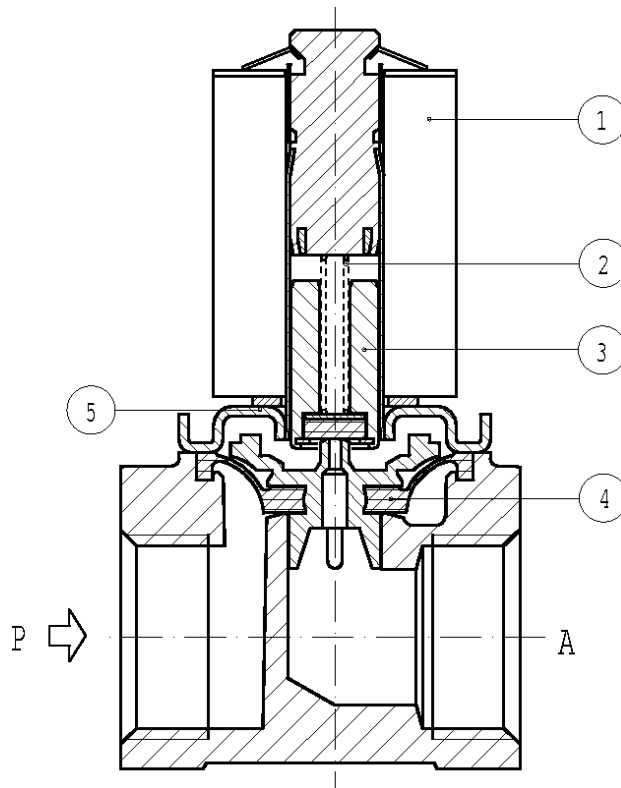
Port size ISO 228	Ø Int. (mm)	Differential pressure (bar)				Kv (m ³ /h)	Series and type		Power absorption			Sealings	Notes	Weight (kg)	
		Δp min	Δp max		Valve		Coil	AC (VA)		c.c. (W)					
			Gas					Liquids			Inrush				Holding
			c.a.	c.c.				c.a.	c.c.						
G 1/2	10	0,35	10	-	10	-	1,5	L140B5 L140V5 L140D05 L140B7	Z610A	16	10	-	NBR	1	0,270
													FPM		
													EPDM		
													NBR		

► **NOTES**

- Sealings : NBR = Nitrile-butylene elastomer FPM = Fluoro-carbon elastomer EPDM = Ethylene-propylene elastomer (WRAS/KTW certified compound)
- Continuous changes of pressure may reduce the life of the diaphragm.
- 1 - The Δp max value is valid only for 50Hz; for operation at 60Hz, Δp max is 5 bar.
- 2 - Chemically nickel plated core (Ni-P).
- 3 - Model available on request only; ask for minimum quantity.

L140

► SPARE PARTS



Kit description		Kit P.N.	Consisting of:
Core kit	L140B5 L140V5 L140D05 L140B7	G2851701 G2851702 G2851704 G2851703	Core pos. 3 Core return spring pos. 2
Core return spring kit		G2733901	N.10 Core return springs pos. 2
Diaphragm assembly	L140B5 – B7 L140V5 L140D05	2706503R 2706504R 2706507R	Diaphragm assembly pos. 4
Guide pipe assembly		2733801R	Guide pipe assembly pos. 5
Coil		Z610A	Coil pos. 1

► MOUNTING

Solenoid valve can be mounted in any position; vertical with coil upwards preferred.