

Star Grips • DIN 6336 light metal
24660.0063



Product Description

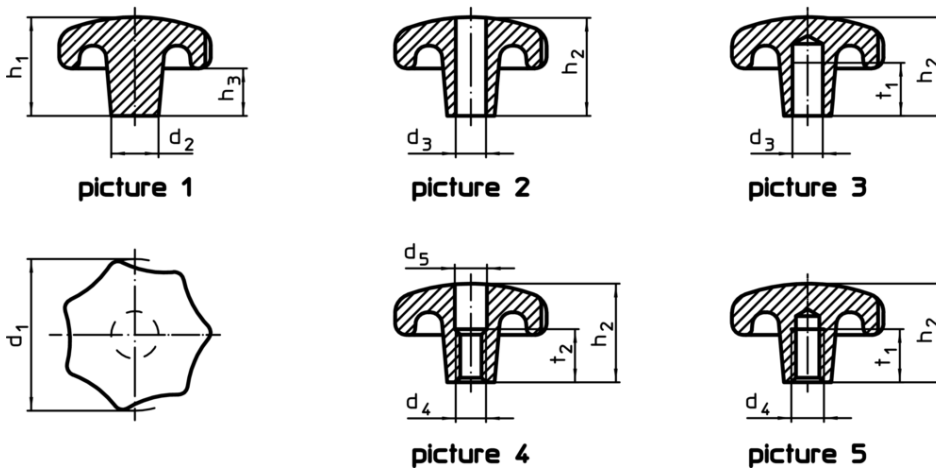
These star grips are manufactured according to DIN 6336.

Material

Handle

- Light metal Al, unpolished

Drawing



Order information

Dimensions				[g]	Art. No.
d ₁	d ₂	h ₁	h ₃		
[mm]					
raw part, form A – picture 1, unpolished					
63	20	42	21	128	24660.0063

Compliance

RoHS compliant

Contains lead - compliant according to exceptions 6a / 6b / 6c

Contains SVHC substances >0,1% w/w

Contains lead - SVHC list [REACH] as of 10.06.2022

Contains Proposition 65 substances



Lead can cause cancer and reproductive harm from exposure
<https://www.P65Warnings.ca.gov/>

Free from Conflict Minerals

This product does not contain any substances designated as "conflict minerals" such as tantalum, tin, gold or tungsten from the Democratic Republic of Congo or adjacent countries.