

Catalogue No: **IA05BSF10PCP**

INDUCTIVE STAINLESS STEEL HI-TEMP SHORT M5 PNP NC 1mm CABLE

Field Switching and Sensing > Non Contact Sensors > Proximity Sensors > Carlo Gavazzi Proximity Sensors > Carlo Gavazzi Discrete Inductive Proximity Sensors > Cylindrical 5mm Miniature - Inductive Sensors

IA Series Inductive Proximity Sensors, flush type, stainless steel M5 short housing, 10 to 30 V DC power supply, PNP NC output, 1mm sensing range, IP67 rating, 2m pre-wired cable

- Cylindrical housing from 4 to 30mm
- Both digital (SCR, transistor) and analogue outputs.
- Standard and extended sensing distance
- Flat-pack housing Stainless steel and Polyester housing Flush / Non flush versions

Representative Photo Only
(actual product may vary based on configuration selections)

SPECIFICATIONS

Product Series	IA
Component Type Field Switching & Sensing	Proximity Sensor
Sensing Mode	Inductive
Shielded	Yes
Shape	Cylindrical - Threaded
Diameter	5 mm
Orientation	Straight Through
Mounting (Multiple)	Flush Mount Mounting Nuts (Included)
Teach Mode / Sensitivity Adjustment	No sensitivity
Ue, Rated Operational Voltage, DC, min	10 V DC
Ue, Rated Operational Voltage, DC, max	30 V DC
Switching/Operating Frequency	2000 Hz
Number of Conductors	3 qty
Material, Body / Housing	Stainless Steel material
Operating Temperature, Max	70 °C max
Operating Temperature, Min	-25 °C min
Storage Temperature, Max	75 °C max
Storage Temperature, Min	-30 °C min
IP Rating	IP67

Catalogue No: **IA05BSF10PCP**

INDUCTIVE STAINLESS STEEL HI-TEMP SHORT M5 PNP NC 1mm CABLE

Field Switching and Sensing > Non Contact Sensors > Proximity Sensors > Carlo Gavazzi Proximity Sensors > Carlo Gavazzi Discrete Inductive Proximity Sensors > Cylindrical 5mm Miniature - Inductive Sensors

REFERENCES

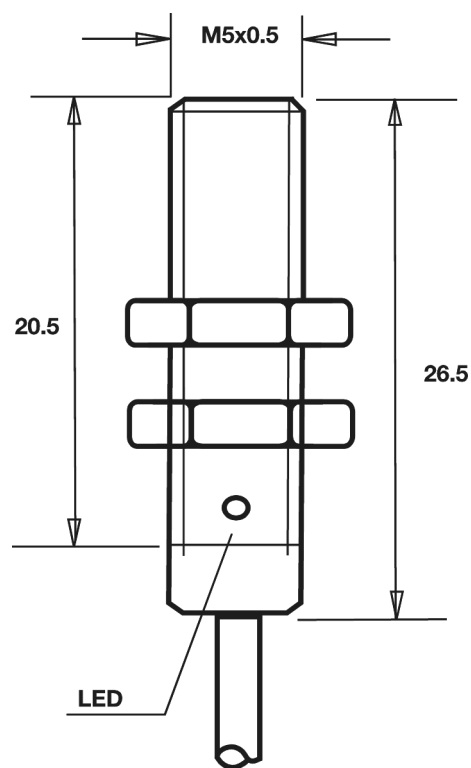
IECEX Certificate -

Supplier Declaration of Conformity: -

Installation Guide: -

User Manual: -

Manufacturer Catalogue & Product Selection: -

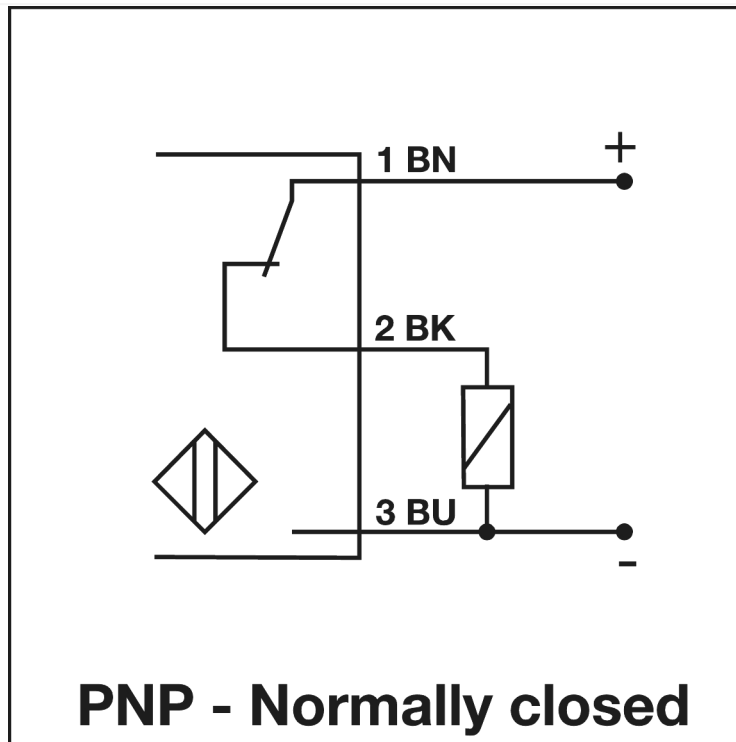


Dimension Diagram

Catalogue No: **IA05BSF10PCP**

INDUCTIVE STAINLESS STEEL HI-TEMP SHORT M5 PNP NC 1mm CABLE

Field Switching and Sensing > Non Contact Sensors > Proximity Sensors > Carlo Gavazzi Proximity Sensors > Carlo Gavazzi Discrete Inductive Proximity Sensors > Cylindrical 5mm Miniature - Inductive Sensors



Connection / Wiring Diagram