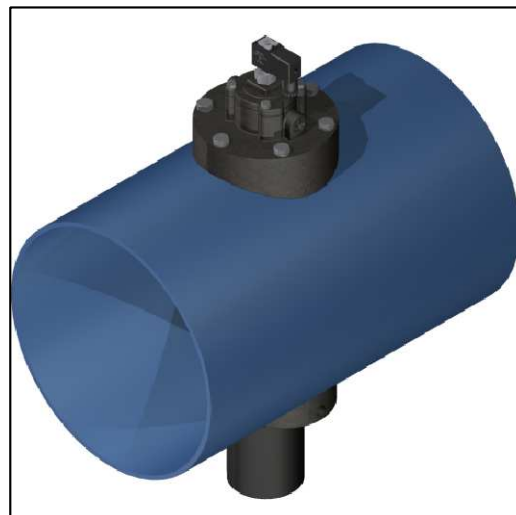


## HEADER TANK PED\* CHARACTERISTICS

PARAMETERS	VALUES	NOTE	
WORKING PRESSURE	Max 5 Bar		
ENVIRONMENT TEMPERATURE (T)	- 40°C + 100°C	STAINLESS STEEL	
	- 20°C + 70°C	CARBON STEEL	
CAPACITY	78.3 l/m		
COLOUR	RAL 5012	FOR CARBON STEEL	
AIR QUALITY CLASSES in according to ISO 8573-1	SOLID	2	
	WATER	4	For T > +3°C
		3	For -20°C < T < +3°C
		2	For -40°C < T < -20°C
OIL	1		
PROTECTION LEVEL	IP65		

## SPV 24-12



## VALVE CHARACTERISTICS

PARAMETERS	VALUES	NOTE
WORKING PRESSURE	1.5 - 4 Bar	
TEMPERATURE RANGE	- 20°C + 100°C	STANDARD O-RING
	- 30°C + 200°C	SILICON O-RING
KV	-	
WEIGHT	10 Kg	

## MECHANICAL DETAILS

No	DESCRIPTION	STANDARD MATERIAL	PORT OPTION	HI TEMP MATERIALS	KIT CODE STANDARD	KIT CODE HI TEMP	
1	BLOW PIPE 3"	CARBON STEEL or SS AISI 304 304L 316 316L	N/A	AS STANDARD	-	-	
2	HEADER TANK 12"	CARBON STEEL or SS AISI 304 304L 316 316L	N/A	AS STANDARD	-	-	
3	BODY PISTON 3"	ALUMINIUM DIE CAST BLACK ANODIZED	N/A	AS STANDARD	-	-	
4	PISTON O' RING	NBR	N/A	SILICON	-	-	
5	DRIVING RING	NYLON	N/A	AS STANDARD	-	-	
6	PISTON	ALUMINIUM DIE CAST BLACK ANODIZED	N/A	AS STANDARD	-	-	
7	O' RING - 195	NBR	N/A	AS STANDARD	-	-	
8	3" SPRING	AISI 304 STAINLESS STEEL	N/A	AS STANDARD	-	-	
9	STOPPER	NBR	N/A	AS STANDARD	-	-	
10	O' RING - 199	NBR	N/A	AS STANDARD	-	-	
11	COVER 3"	ALUMINIUM DIE CAST BLACK ANODIZED	N/A	AS STANDARD	-	-	
12	SCREWS M10 + WASHER	AISI 304 STAINLESS STEEL	N/A	AS STANDARD	-	-	
13	DIAPHRAGM 1"	NBR + AISI 304 STAINLESS STEEL	N/A	AS STANDARD	-	-	
14	1" SPRING	AISI 304 STAINLESS STEEL	N/A	AS STANDARD	-	-	
15	COVER 1"	ALUMINIUM DIE CAST BLACK ANODIZED	N/A	AS STANDARD	-	-	
16	SCREWS M6 + WASHER	AISI 304 STAINLESS STEEL	N/A	AS STANDARD	-	-	
17	STANDARD	PILOT	NICKELED-PLATED BRASS + AISI 304 STAINLESS STEEL	STD 1/4" G	AS STANDARD	-	
		CONNECTOR DIN 43650/B	NYLON	STD 1/4" G	AS STANDARD	-	-
		COIL DIN 4365/B	130° RATED NYLON ENCAPSULATION	N/A	AS STANDARD	SEE COIL DETAILS	-
		CLIP	CARBON STEEL GALVANIZED	N/A	AS STANDARD	-	-

## ACCESSORIES DETAILS

KIT CODE	EQUIPMENT
SO (Standard Optional)	1/4" Pressure Gauge 1/2" Drain Cock 1/4" Plug 1/2" Safety Valve 2" Plug

## COIL DETAILS

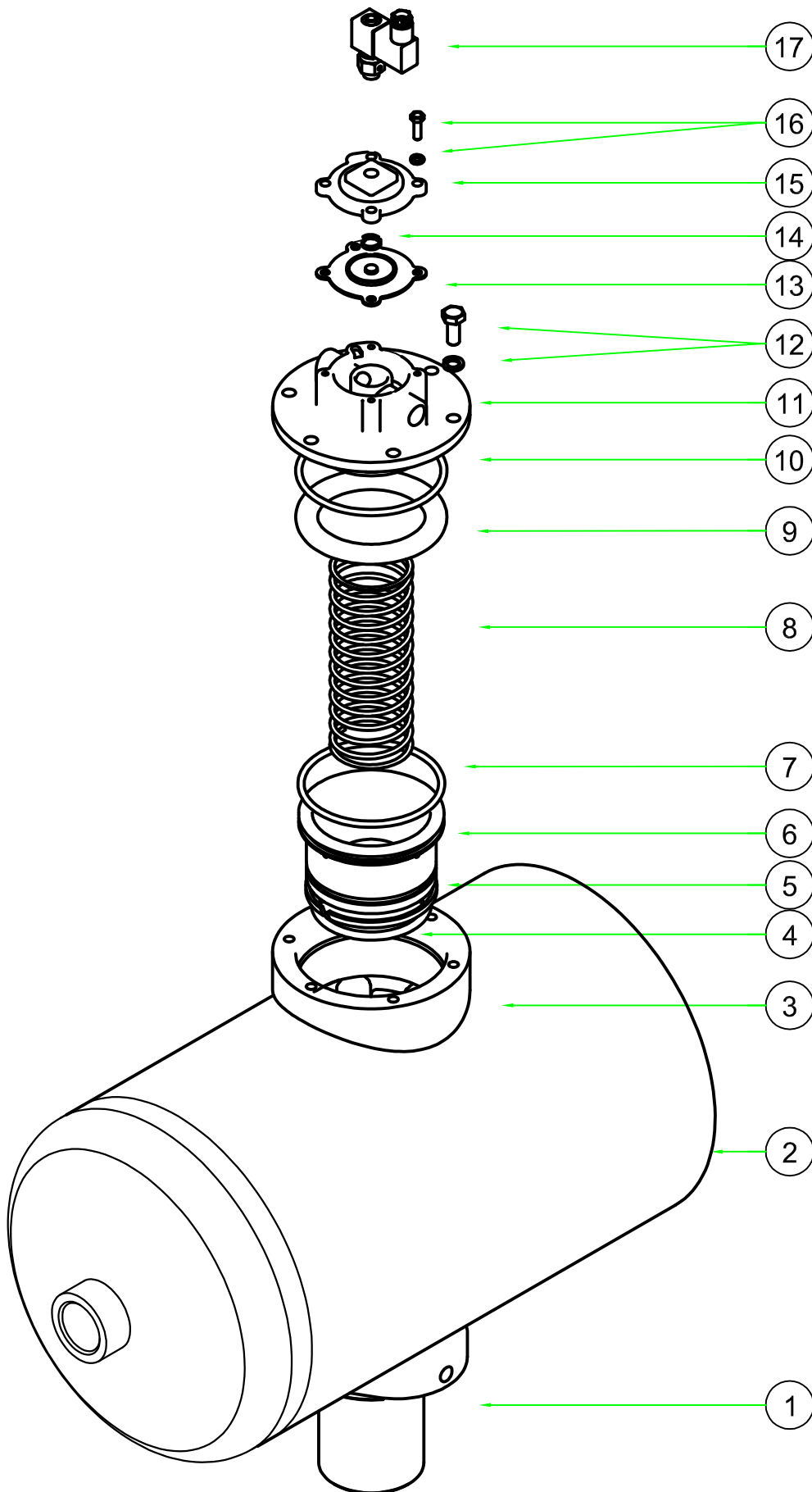
KIT CODE DIN 43650/B	VOLTAGE
BC SPV 020	DC24V
BC SPV 025	AC24V / 50 Hz
	AC26V / 60 Hz
BC SPV 115	AC115V / 50-60 Hz
BC SPV 225	AC230V / 50-60 Hz
<b>Power Absorption at 20°C</b>	20 VA AC / 20 W DC
<b>Isolation Class</b>	F (155°C) and H (180°/200°C) according to VDE regulation
<b>* STANDARD CERTIFICATION</b>	<b>AVAILABLE ON DEMAND CERTIFICATIONS</b>
PED	ASME GOST ATEX

## TIGHTENING TORQUE

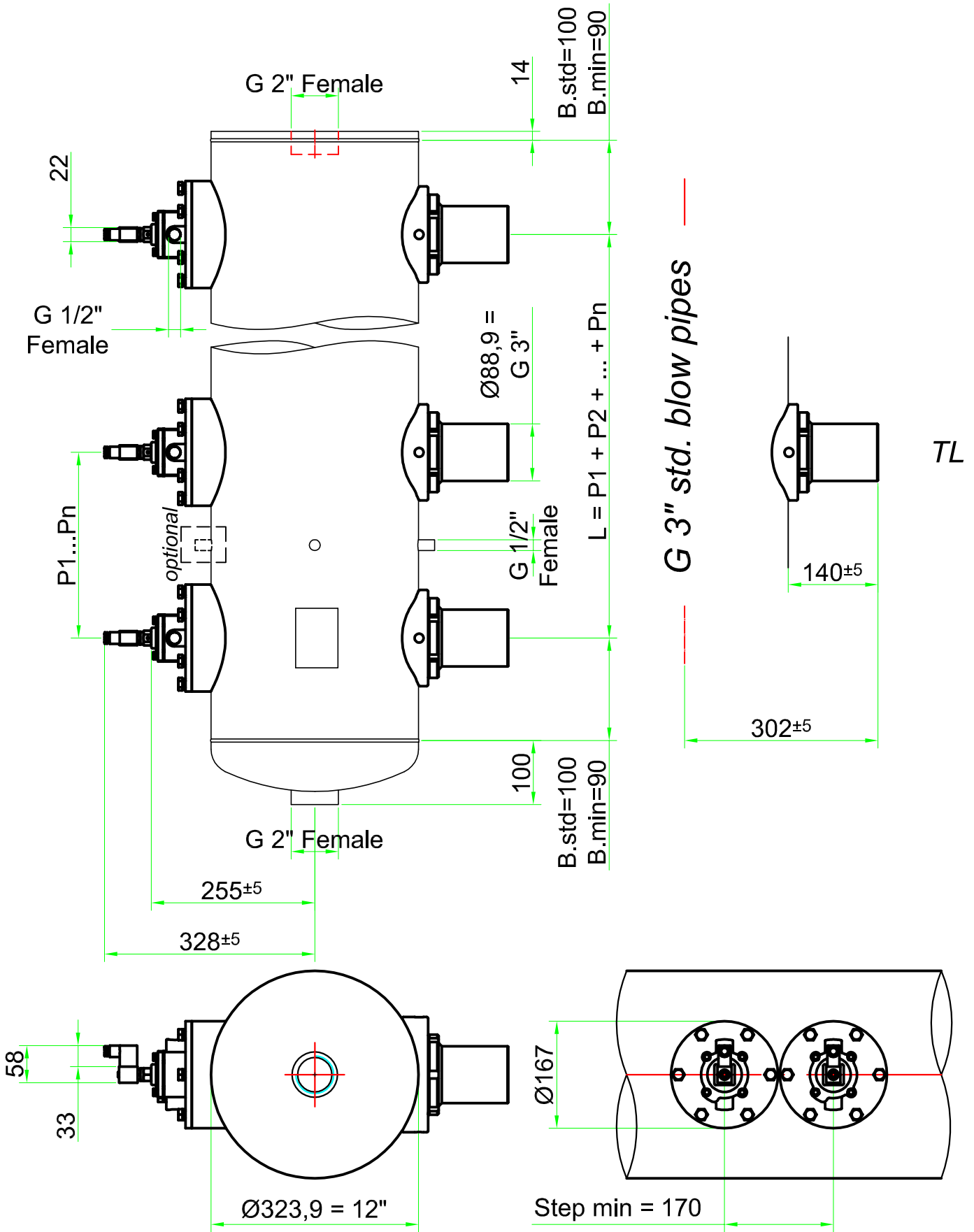
No	DESCRIPTION	VALUES	
12	SCREWS M10	20 Nm ± 2	
16	SCREWS M6	14 Nm ± 1.4	
17	STD	PILOT	10 Nm ± 1
		CABLE GLAND	5 Nm ± 1
		SCREW M3	2 Nm ± 1



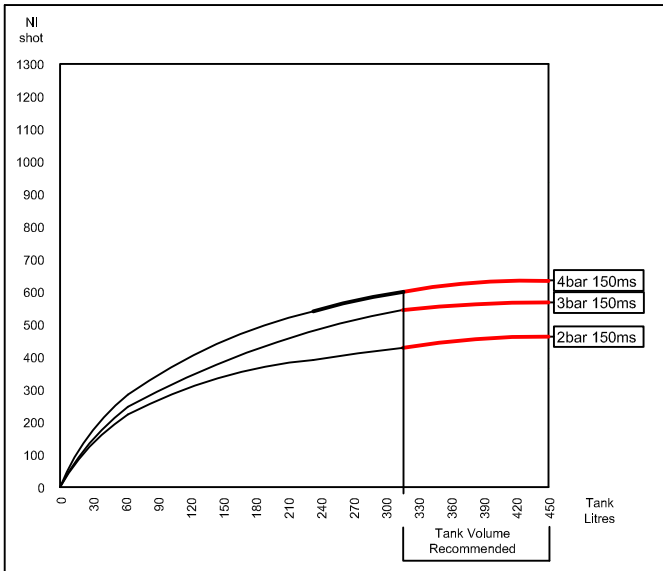
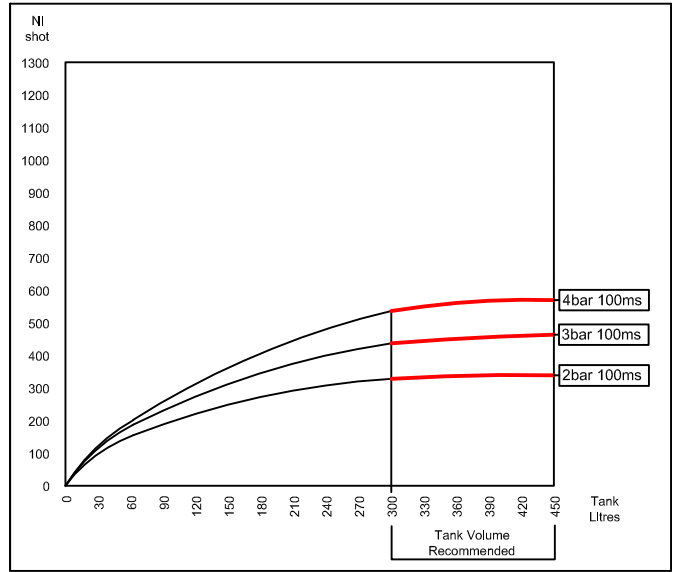
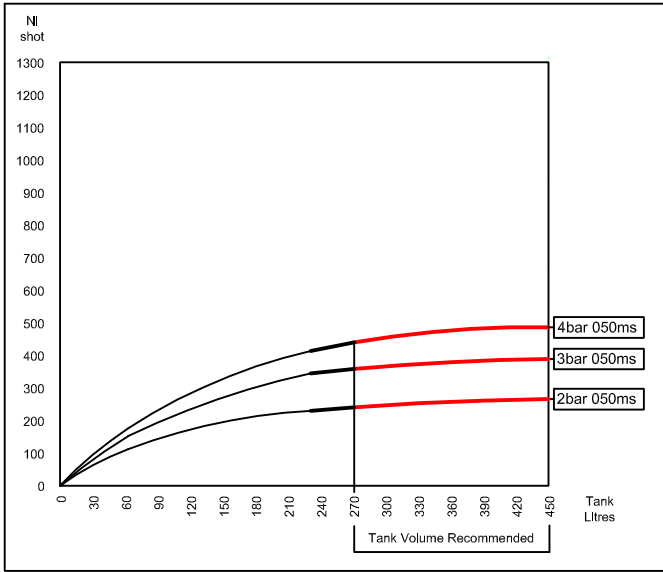
EXPLODED



**ASSEMBLED DIMENSIONS**



## CONSUMPTION GRAPHS



## USER'S MANUAL

### INSTALLATION, OPERATING & MAINTENANCE INSTRUCTIONS

*The present manual must be read with attention because it supplies the essential notions to learn how to use the air header tank and how to keep it efficient and safe in time, in order to avoid damages to persons and its illegitimate use. The present manual constitutes integral part of air header tank documentation and must be kept with care in an easy-accessible place that it can be used each time doubts arise on its use and maintenance.*

#### STARTING, USE, ASSEMBLING, CONNECTIONS

The header tank must be moved carefully avoiding any kind of collision, paying particular attention to muffs and header tank weldings.

The basis fusion, header tank and blow tubes have to be considered as single group, so they can not be sold separately or as spare part. It is recommendable to the user **TO DO NOT DISMANTLE THIS GROUP FOR ANY REASONS**, because it is not useful for the maintenance and it could compromise "CE" certification and the warranty value.

The header tank was designed exclusively to contain air. Is forbidden any other use. Is absolutely forbidden any type of welding or thermal treatment as on the air header tank or any other part exposed to pressure. During the using of air header tank, observe the limits of pressure and of temperature indicated by the manufacturer on the tank plate. Protect the header tank from atmospheric agents.

Avoid the location of air header tank in places with a high risk of explosions, not sufficiently ventilated, in zones exposed to heat sources or near inflammable substances. In case of fire, depressurize the header tank. The header tank cannot be assembled on rigid structures unless using anti-vibrant plugs, if from this does not result any additional load on air header tank.

FLUID: dehydrated, filtrated, without oil COMPRESSED AIR

Max Pressure 6 bar

TUBING SUPPLY of the header tank

Ø minimum 2" for header tank with valve 3"

COMPRESSOR RANGE

The compressor must be sized in order to support the air consumption scheduled from the clean cycle.

#### ELECTRICAL PULSE TIME

Advised form 50 to 250 msec (milliseconds)

#### PRESSURE SETTING

Before setting the pressure in the header tank and command the valves, it is important to verify that the air supply net is connected to the header tank in the right way and that the condensation drain cock is installed on the bottom of the header tank in order to eliminate possible impurities inside the tubing.

#### **MALFUNCTIONING: DEFECT ACTION TO MAKE**

##### AN ELECTROVALVE DOES NOT DELIVER AIR

- Verify that the coils or the connection cables are not interrupted.
- Verify the output of the sequencer and that supplied voltage (measured in the electrovalve clamps) do not have any troubles and it is within the tolerance of +/- 10% on the nominal value.
- Verify the correct functioning of the pilot. To the electric signal must correspond an air outflow from the holes on the pilot body. In case of pilot correct working, but the correspondent valve does not make the shot, verify the state of the valve membrane.

##### THE ELECTROVALVE ALLOWS AIR TO ESCAPE OR DELIVERS AIR IN CONTINUING WAY

- Ensure that the screws of the cover are well tight
- Dismantle the valve cover and relative coil, verifying that there are not any foreign bodies under the membrane (in the zone of hermetic outfit) after have discharged and isolated the header tank from the net.