

REV. DATE	DESCRIPTION	MESSRS	
		<p style="text-align: center;">GROUND MONITOR – INSULATION RESISTANCE MONITOR – ■ SBAG-102[Ⓝ] / 202[Ⓝ] / 402[Ⓝ]</p> <p style="text-align: center;">CE 4 sheets with cover</p>	
		<p style="text-align: center;"> LUXCO CO., LTD. 980-17, Jangrim-dong, Saha-gu, Busan, 604-040, Korea TEL : +82-51-262-8588 FAX : +82-51-262-8538 http://www.luxco.co.kr</p>	
		CLASS	KR, GL
		APPROVED BY	C. G. YI
		CHECKED BY	J. W. CHOI
		DESIGNED BY	J. A. HEO
		DATE	2014. 04. 30
		DRAW No.	T183-17012

GROUND MONITOR (SBAG-102[Ⓝ] / 202[Ⓝ] / 402[Ⓝ])

■ GENERAL INFORMATION

The insulation resistance monitor is intended to monitor the insulation resistance to ground of AC lines. And th issue an alarm signal if the insulation resistance goes below a predetermined value. The insulation resistance monitor is an electronic insulation detecting device with elecromechanical relay contact output. The AC monitor permits a connection of an external meter is not to affect the detecting operation of the monitor. Please select-up the Models as follows :

■ SPECIFICATIONS

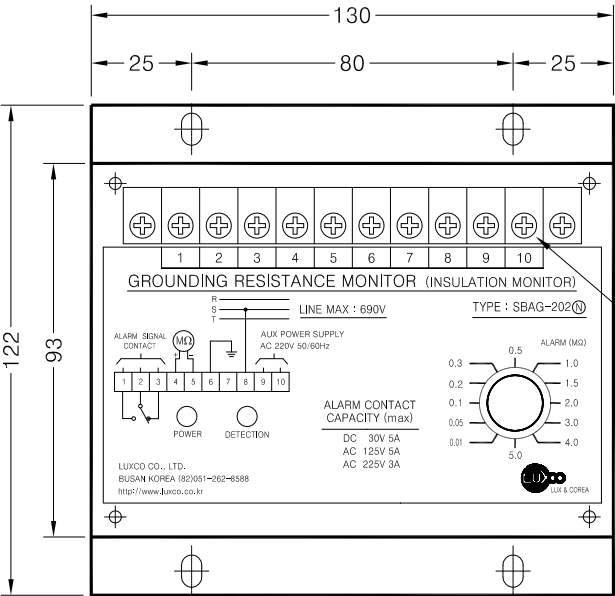
MODEL	SBAG-102 [Ⓝ]	SBAG-202 [Ⓝ]	SBAG-402 [Ⓝ]
Aux. Power Rating	AC 110V 50/60Hz	AC 220V 50/60Hz	AC 440V 50/60Hz
Aux. Power Variations	AC 85 ~ 135V	AC 170 ~ 270V	AC 395 ~ 485V
Maximum Power Consumption	5 VA		
Insulation Detect Range	$\infty \sim 5 \sim 0.5 \sim 0.01 \sim 0 \text{ M}\Omega$		
Detect Line Voltage	AC 1P / 3Phase 0 ~ 690V (max.)		
Detect/Alarm Accuracy	$\pm 5\%$ (0.21 ~ 2 M Ω)		
	$\pm 10\%$ (Under 0.05M Ω , Above 2M Ω)		
Alarm Set Range	0.01 ~ 5.0 M Ω (Select by 12 steps selector switch) (0.01 - 0.05 - 0.1 - 0.2 - 0.3 - 0.5 - 1.0 - 1.5 - 2.0 - 3.0 - 4.0 - 5.0)		
Operation Time Delay	3.0 Sec (± 0.5 Sec) Reset time : 0.5 Sec or less		
Contact Output Rating	<ul style="list-style-type: none"> · 5A (resistive) 2A (inductive) 30V DC · 5A (resistive) 2A (inductive p.f=0.4) 125V AC · 3A (resistive) 1A (inductive p.f=0.4) 250V AC 		
Operating Temperature Range	- 20 $^{\circ}$ C ~ + 60 $^{\circ}$ C		
Storage Temperature Range	- 40 $^{\circ}$ C ~ + 65 $^{\circ}$ C		
Dielectric Strength	<ul style="list-style-type: none"> · 2.5 KV / 1 min between T.B and enclosure · 1.5 KV / 1 min between T.B(#9,10) and T.B(#6,8) 		
METER	<ul style="list-style-type: none"> · WIDE ANGLE : 80 x 80, 100 x 110 · RECTANGULAR : 60 x 80, 80 x 100, 100 x 120 · DIN : 72 x 72, 96 x 96 		

GROUND MONITOR (SBAG-102[Ⓝ] / 202[Ⓝ] / 402[Ⓝ])

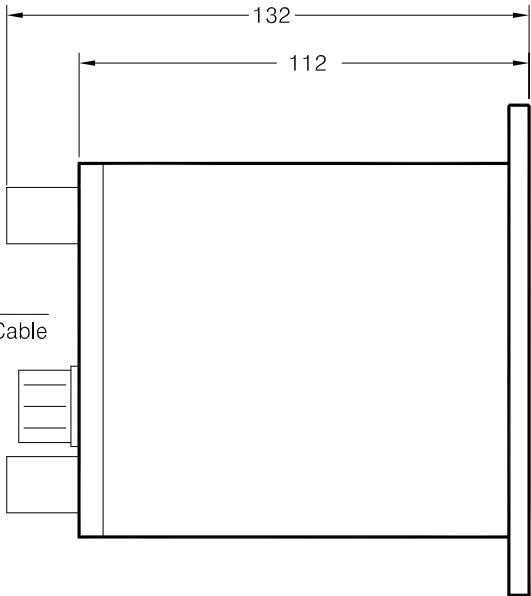
■ OUTLINE DIMENSION AND PANEL CUTTING (Unit in m/m)

- The size of all models are the same

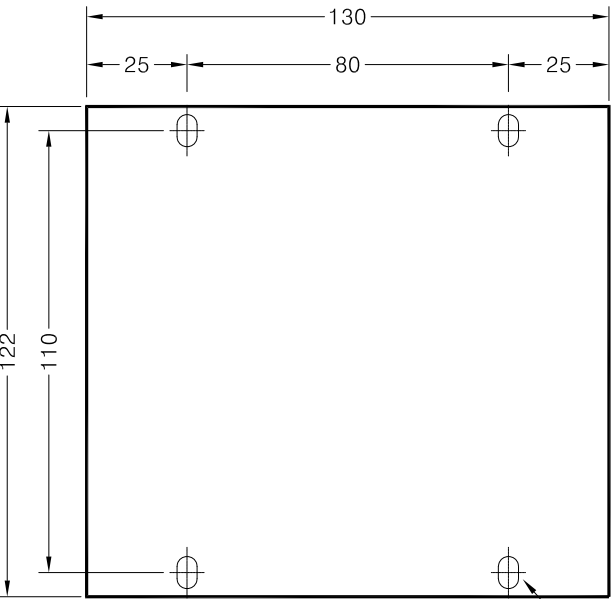
FRONT VIEW



SIDE VIEW



MOUNTING



NOTE

1. Material : PC (Flame retardant)

4 - $\phi 5$
(FOR M4 SCREW BOLT)

GROUND MONITOR (SBAG-102[Ⓝ] / 202[Ⓝ] / 402[Ⓝ])

■ INSTRUCTION MANUAL (FOR SBAG-102[Ⓝ] / 202[Ⓝ] / 402[Ⓝ])

● GENERAL

This insulation resistance monitor consists of a meter and a power box monitor the insulation level of a non-grounded AC electrical system.

● MONITOR

The monitor converts 110V or 220V or 440V AC power into regulated DC power. The DC output voltage is constant over an AC input voltage of 80% to 120% of the rating (110V/220V/440V).

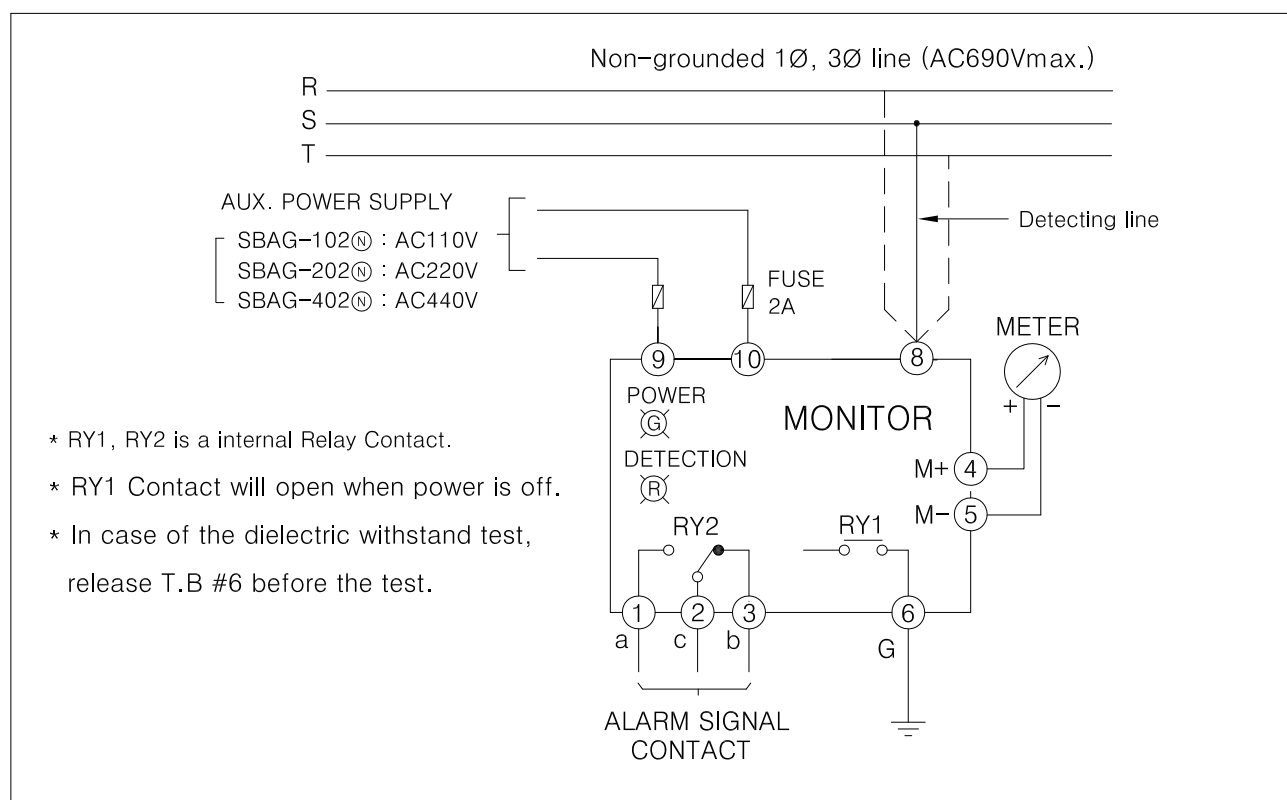
It's DC output circuit is electrically isolated from the AC input circuit by means of a transformer.

● FEATURES

This insulation resistance monitor features :

- continuous monitoring of insulation level.
- provision for low insulation level alarm, output contact can be used as either alarm "make" or alarm "break" signal.
- error – free stable operation, use of voltage regulator circuits in both meter and relay sections.

● CONNECTION



* RY1, RY2 is a internal Relay Contact.

* RY1 Contact will open when power is off.

* In case of the dielectric withstand test, release T.B #6 before the test.

* The terminal (#8) of the monitor may be connected to any of the lines 'R', 'S' or 'T'.

* The power transformer (P.T) is not necessary when the monitored system operates on A.C 110/220V.