



# Differential Pressure Gages Series 2000

Select the **Magnehelic** gage for high accuracy - guaranteed within 2% of full scale - and for the wide choice of measuring-ranges available to suit your needs precisely.

Using frictionless Magnehelic movement, it quickly indicates low air or non-corrosive gas pressures - either positive, negative (vacuum) or differential.

The design resists shock, vibration and over-pressures. No manometer fluid to evaporate, freeze or cause toxic or leveling problems. It's inexpensive, too.



## MODELS AND RANGES

Model	Range
2000 - 60 Pa	0 - 60 Pa
2000 - 100 Pa	0 - 100 Pa
2000 - 125 Pa	0 - 125 Pa
2000 - 200 Pa	0 - 200 Pa
2000 - 250 Pa	0 - 250 Pa
2000 - 300 Pa	0 - 300 Pa
2000 - 500 Pa	0 - 500 Pa
2000 - 750 Pa	0 - 750 Pa
2000 - 1 kPa	0 - 1 kPa
2000 - 1,5 kPa	0 - 1,5 kPa
2000 - 2 kPa	0 - 2 kPa
2000 - 2,5 kPa	0 - 2,5 kPa
2000 - 3 kPa	0 - 3 kPa
2000 - 5 kPa	0 - 5 kPa
2000 - 8 kPa	0 - 8 kPa
2000 - 10 kPa	0 - 10 kPa
2000 - 15 kPa	0 - 15 kPa
2000 - 20 kPa	0 - 20 kPa
2000 - 25 kPa	0 - 25 kPa
2000 - 30 kPa	0 - 30 kPa
2000 - 40 kPa	0 - 40 kPa
2000 - 75 kPa	0 - 75 kPa
2000 - 100 kPa	0 - 100 kPa

## Range Zero Center

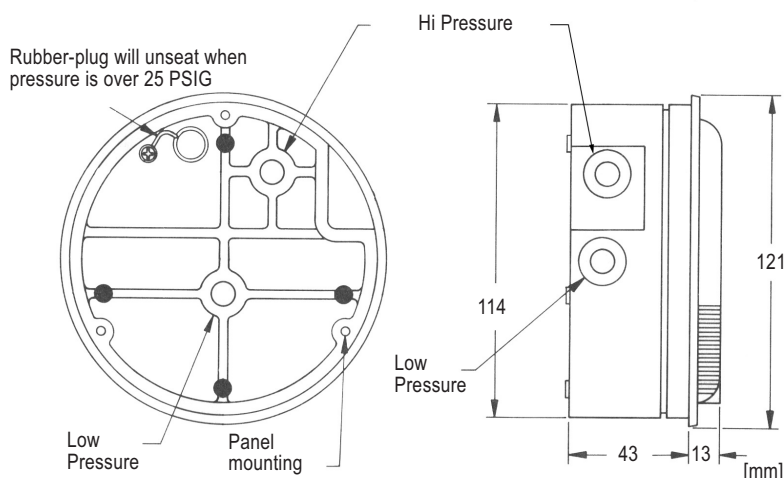
2300 - 60 Pa	30 - 0 - 30 Pa
2300 - 100 Pa	50 - 0 - 50 Pa
2300 - 200 Pa	100 - 0 - 100 Pa
2300 - 250 Pa	125 - 0 - 125 Pa
2300 - 500 Pa	250 - 0 - 250 Pa
2300 - 1 kPa	500 - 0 - 500 Pa
2300 - 2 kPa	1 - 0 - 1 kPa
2300 - 5 kPa	2,5 - 0 - 2,5 kPa
2300 - 10 kPa	5 - 0 - 5 kPa

## Dual Scale Air Velocity Units

2500 - 100/12	0-100 Pa, 0-12 m/s
2500 - 250/20	0-250 Pa, 0-20 m/s
2500 - 500/28	0-500 Pa, 0-28 m/s
2500 - 750/36	0-750 Pa, 0-36 m/s

## PHYSICAL DATA

<b>Medium:</b>	Air and non-corrosive gas
<b>Accuracy:</b>	± 2 % of full scale ± 3 % (Range 0-100 Pa) ± 4 % (Range 0-60 Pa)
<b>Rated total pressure:</b>	15 PSIG (100 kPa) Standard
<b>Ambient temperature:</b>	- 7° ... + 60°C Standard - 29° ... + 60°C Type-LT
<b>Connections:</b>	1/8" NPT(F), one pair side and back.
<b>Weight:</b>	1 lb. 2 oz. (510 g)
<b>Housing:</b>	Die cast aluminium. Exterior finish is dark grey.
<b>Accessories:</b>	Two 1/8" NPT plugs, two 1/8" pipe thread to rubber tubing adapters and three flush mounting adapters with screws.
<b>Options:</b>	- Adjustable signal flag Type "ASF" - Carrying case with standhang bracket Type "432"



## ELECTRO - MATION

Ing. Büro GmbH



VERTRIEB  
SERVICE

REPARATUR

Zertifiziert nach  
ISO 9001: 2000

MUENSTERSTR 23-25 • 22529 HAMBURG • GERMANY

TEL. +49 40 850 23 20 • FAX +49 40 850 41 14 • INFO@ELECTRO-MATION.DE • WWW.ELECTRO-MATION.COM