

FRS923 Filter regulator



Control of instrument supply air pressure, and removal by filtration of dust particles and water content. Mounting brackets inclusive.

FEATURES

Pressure reducer and supply air station:

- Minimal effect of upstream pressure fluctuation.
- Low inherent air consumption.
- With or without filter
- Ambient temperature range -40 to $+80$ °C
- Explosion protection II 2 G c IIC T4 -T6
ATEX - Constructive design
CU TR - Constructive design

TECHNICAL DATA

Filter regulator

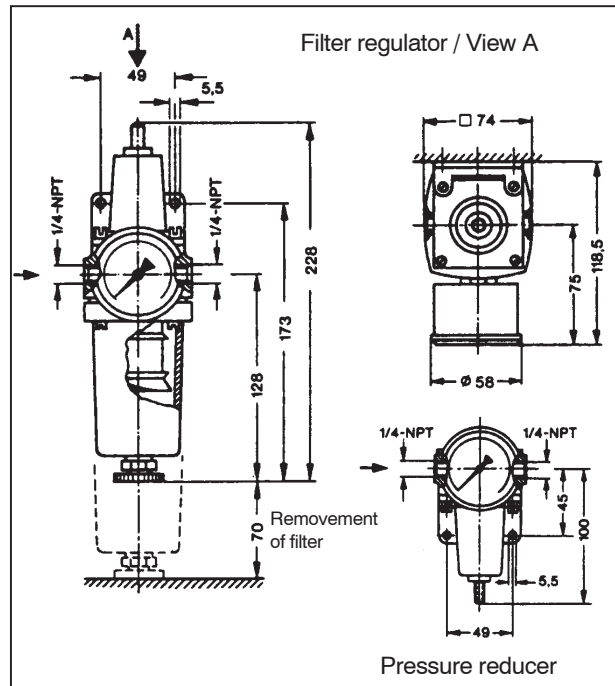
Pressure reducer, including mounting bracket and filter bowl

- Input max. 15 bar / 1.5 MPa / 15 kg/cm² / 220 psi
- Control range..... 0 to 2.5 bar/0 to 35 psi (Code -1)
0 to 6 bar/0 to 90 psi (Code -2)
- Indicating range 0 to 2.5 bar/0 to 35 psi (Code -1)
0 to 10 bar/0 to 145 psi (Code -2)
- Error limit Class 2.5
- Air throughput Qn..... max. 24 m³/h *
- Upstream press. dependency ≤ 1 mbar/0.1 bar
- Max.inherent air consumption ≤ 0.001 m³/h *
- Location class IP 54 acc. to IEC 529
- Area classification D2 acc. to IEC 654/1
- Ambient temperature range . -40 to +80 °C **
- Mounting Wall mounting/Pipe mounting
- Nominal position NL 90
- Pneum. connections..... internal thread 1/4- 18 NPT

Materials:

- Filter: Sintered bronze, diffusion tinned, filter grade 30 μm
- Filter bowl: Diecast Aluminum
- Gauge: housing, plastic; measuring system, brass
vers. without nonferrous metal, Mat. No. 1.4571
- Weight..... approx. 1 kg

DIMENSIONS



* Measured at 7 bar upstream pressure and 1.4 bar output pressure, based on standard reference conditions.
** The supply air must be dry for operation at temperatures below 0 °C (observe dew point)

MODEL CODES

Pressure Regulator without or with Filter	FRS923		020715
Control range			
0 to 2.5 bar; 0 to 35 psi; 0 to 250 kPa	-1		
0 to 6 bar; 0 to 90 psi; 0 to 600 kPa	-2		
Version			
Pressure Regulator without Filter		R	
Pressure Regulator with Filter		S	
Gauges			
Without (a)			W
Gauge DN50 and 3 scales (kPa/bar/psi) (b)			K
SS Housing Gauge DN50 and 3 scales (kPa/bar/psi) (c)			V
Options			
Indication Range In kg/cm ²			-A
Version Free Of Non Ferrous Metal			-C
Protection Class IP65			-F
CU TR - EAC approved for Intrinsic safety			-R
Assembled free of oil and grease / Designed for Auxilliary Energy Oxygen			-S
Tag No. Labeling: Stamped With Weather Resistant Color			-G
Tag No. Labeling: Stainless Steel Label Fixed With Wire			-L
(a) Not available with Options -A (b) Not with Options -C (c) Not with Options -A			