

### Main features

Encoders with potentiometric output signal.  
The potentiometer is fitted in a sturdy housing and it is supported by two bearings. It assures excellent lifetime, speed and high accuracy.



### Ordering code

EP A 103/10 P R . XXX

full stop to separate special versions

A axial  
R radial

P cable output with cable gland (standard length 1.5 m)

special version code numbered from 001 to 999

#### Resistive value

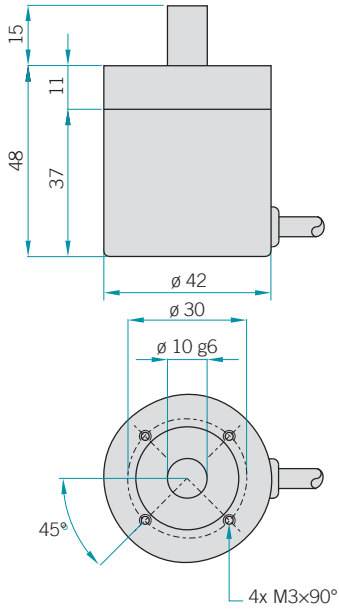
102/1	1 kOhm / 1 turn
102/10	1 kOhm / 10 turns
502/1	5 kOhm / 1 turn
502/3	5 kOhm / 3 turns
502/10	5 kOhm / 10 turns
103/1	10 kOhm / 1 turn
103/3	10 kOhm / 3 turns
103/10	10 kOhm / 10 turns

#### Shaft type

- A EP A model with  $\varnothing$  10 mm shaft
- B EP B model with cogged shaft

EP rotary potentiometer

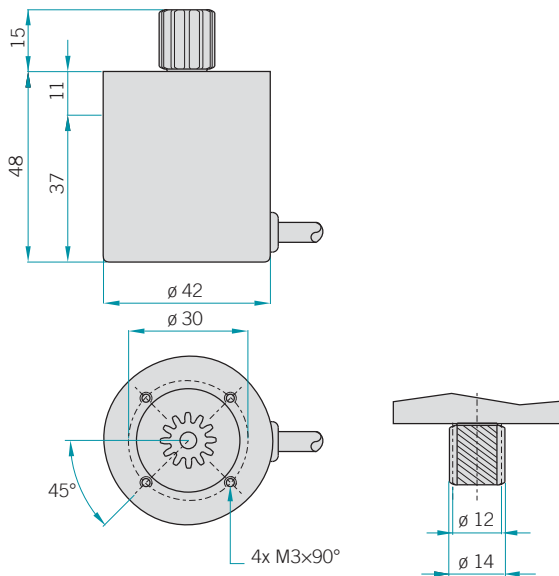
# EP A



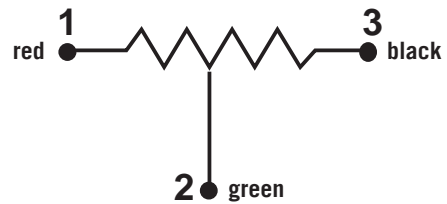
## Mechanical specifications

Enclosure rating	IP54
Shaft diameter	∅ 10 mm
Shaft material	stainless steel UNI X10CrNiS1809 (EP A) steel UNI C45 (EP B)
Housing material	PA66 glass fiber reinforced
Body material	aluminium UNI 9002/5
Bearings	2 ball bearings
Limit stop	automatic clutch (no stop)
Operating temperature	0÷80 °C
Storage temperature	-25÷85 °C
Weight	150 g

# EP B



## Electrical connections



### Cogged shaft specifications

z = 12  
m = 1  
p = 3.1415

## General specifications

Model	Resistive value (Ohm)	Mechanical rotation	Electrical rotation	Element technology	Tolerance	Linearity	End resistance (Ohm)	Power rating (70 °C)	Life (shaft revolutions)	Shock	Vibration
102/1	1k	270°	210°	cermet	±10%	±3%	3	2 W	25000	25 G	10 G, 10÷150 Hz
102/10	1k	3600° +10° -0°	3600° +10° -0°	wirewound	±5%	±0,20%	1	2 W	1000000	50 G	15 G, 10÷2000 Hz
502/1	5k	360°	340° ±3°	conductive plastic	±20%	±2%	1	1 W	5000000	50 G	15 G, 10÷2000 Hz
502/3	5k	1080° +10° -0°	1080° +10° -0°	wirewound	±5%	±0,25%	1	1 W	300000	50 G	15 G, 10÷2000 Hz
502/10	5k	3600° +10° -0°	3600° +10° -0°	wirewound	±5%	±0,20%	1	2 W	1000000	50 G	15 G, 10÷2000 Hz
103/1	10k	300° ±5°	270 ±10°	cermet	±10%	±5%	4	1 W	25000	25 G	10 G, 10÷150 Hz
103/3	10k	1080° +10° -0°	1080° +10° -0°	wirewound	±5%	±0,25%	1	1 W	300000	50 G	15 G, 10÷2000 Hz
103/10	10k	3600° +10° -0°	3600° +10° -0°	wirewound	±5%	±0,20%	1	2 W	1000000	50 G	15 G, 10÷2000 Hz

Other products

EP A / B

