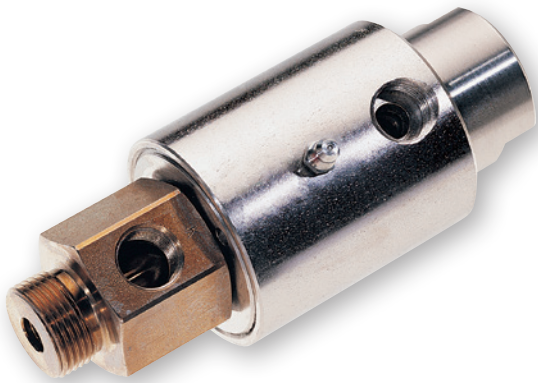
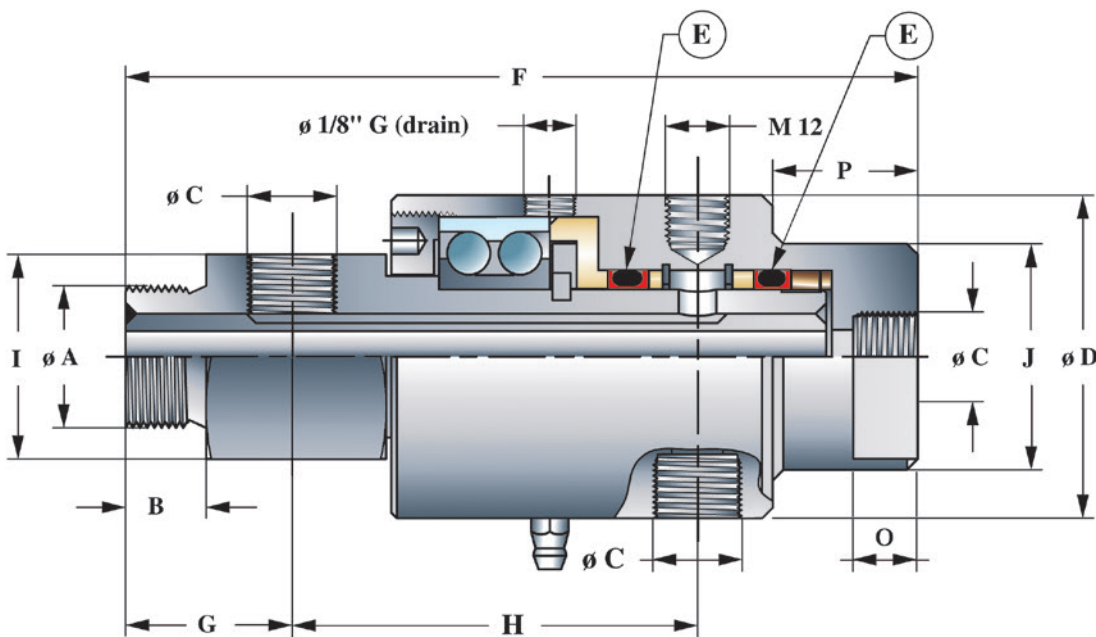


TECHNICAL FEATURES



REFERENCE	1600 K - 1600 C - 1600 KC
DIMENSIONS	1/4" à 1"
MATERIAL	1600 K : nickel plated steel 1600 C or 1600 KC : ceramic shaft
THREAD	Male and female connections right-hand - BSPP thread
PRESSURE	200 bar Maximum
TEMPERATURE	120° C Maximum
ROTATION	0 to 1500 r.p.m. depending on the diameter and pressure
APPLICATION	Supply of rotating shafts with 1 or 2 fl uids, double effect jack command, etc.
OBSERVATIONS	Ball bearing and Tefl on seal for easy rotation. Full bore
CONNECTION	With hoses
USE	Oil, air, water, gas, etc...



Ø DN	2 x Ø 4	2 x Ø 9,5	2 x Ø 16	2 x Ø 16	2 x Ø 25	
Ref.	1619 1/4" K / C	1683 3/8" K / C	1644 1/2" K / C	1644 3/4" K / C	1760 1" K / C	
Dimensions	Ø A	1/2"	3/4"	1"	1"	1" 1/2
	B	13	15	20	20	20
	Ø C	1/4"	3/8"	1/2" *	3/4"	1"
	Ø D	50	60	80	80	90
	E	GR15V	GR25V	GR35V	GR35V	GR50V
	F	103	147,5	184	184	250
	G	24	31	40	40	52
	H	49	74,5	97	97	127
	I	Ø 27	Ø 38	Ø 55	Ø 55	Ø 90
	J. Ø/Pts	30/24	42/38	50/45	50/45	60/50
O	10	12	15	15	15	
P	12,5	27	25	25	18	

* with reduction