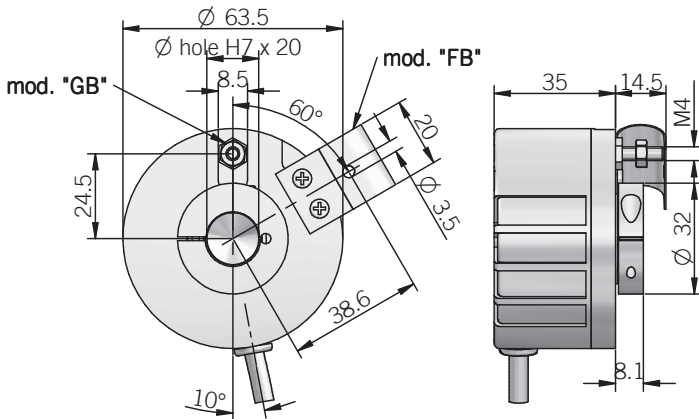
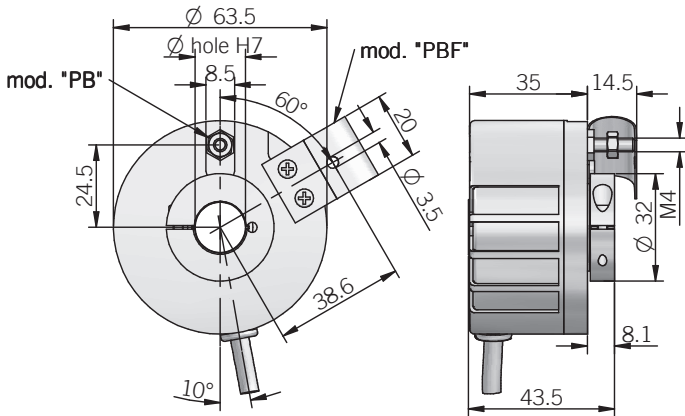




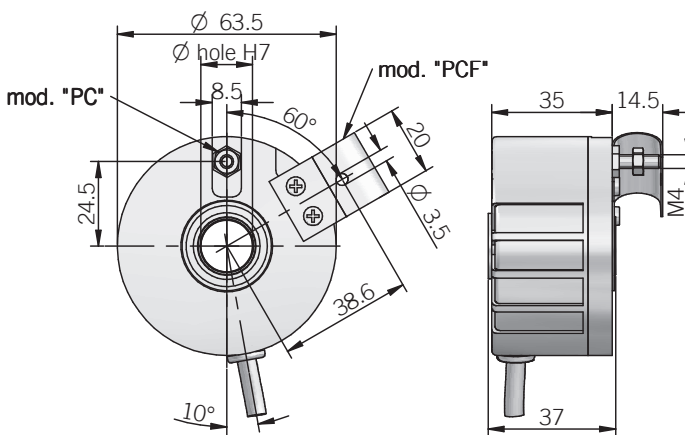
EL 63 FB / GB



EL 63 PB / PBF



EL 63 PC / PCF



anti-rotation pin is included in model GB / PB / PC, for mounting instruction please refer to product installation notes  
dimensions in mm

ELECTRICAL SPECIFICATIONS

<b>Resolution</b>	from 1 to 2500 ppr
<b>Power supply</b>	5 = 4,5 ... 5,5 V DC 5/28 = 4,75 ... 29,4 V DC 8/24 = 7,6 ... 25,2 V DC (reverse polarity protection)
<b>Power draw without load</b>	800 mW
<b>Max load current</b>	N / C / P / PC = 50 mA / channel L / RS = 20 mA / channel
<b>Output type*</b>	NPN / NPN open collector / push-pull / line driver
<b>Max output frequency</b>	300 kHz
<b>Counting direction</b>	A leads B clockwise (shaft view)
<b>Electromagnetic compatibility</b>	IEC 61000-6-2 IEC 61000-6-4

\*output levels according to power supply, for further details please see under Technical basics section

MECHANICAL SPECIFICATIONS

<b>Bore diameter</b>	ø 8 / 10 / 12 / 14 / 15 mm
<b>Enclosure rating</b>	IP 54 (IEC 60529)
<b>Max rotation speed</b>	3000 rpm
<b>Shock</b>	50 G, 11 ms (IEC 60068-2-27)
<b>Vibration</b>	10 G, 10 ... 2000 Hz (IEC 60068-2-6)
<b>Moment of inertia</b>	4 x 10 <sup>-6</sup> kgm <sup>2</sup>
<b>Starting torque (at +20°C / +68°F)</b>	< 0,04 Nm
<b>Body material</b>	EN-AW 2011 aluminum
<b>Shaft material</b>	1.4305 / AISI 303 stainless steel
<b>Housing material</b>	PA 66 glass fiber reinforced
<b>Bearings</b>	2 ball bearings
<b>Bearings life</b>	10 <sup>9</sup> revolutions
<b>Operating temperature</b>	-10° ... +60 °C (+14° ... +140°F)
<b>Storage temperature</b>	-25° ... +70 °C (-13° ... +158°F)
<b>Fixing torque for collar clamping</b>	1,5 Nm recommended
<b>Weight</b>	350 g (12,35 oz)

CONNECTIONS

Function	Cable output N / C / P / PC	Cable output Line driver
+V DC	red	red
0 V	black	black
Ch. A	green	green
Ch. A-	/	brown
Ch. B	yellow	yellow
Ch. B-	/	orange
Ch. Z	blue	blue
Ch. Z-	/	white
⊕	shield	shield

RESOLUTIONS

1 - 2 - 5 - 20 - 25 - 32 - 50 - 60 - 100 - 128 - 200 - 250 - 256 - 360 - 400 - 500 - 512 - 600 - 720 - 1000 - 1024 - 1440 - 1800 - 2000 - 2048 - 2500

please directly contact our offices for other pulses, preferred resolutions in bold