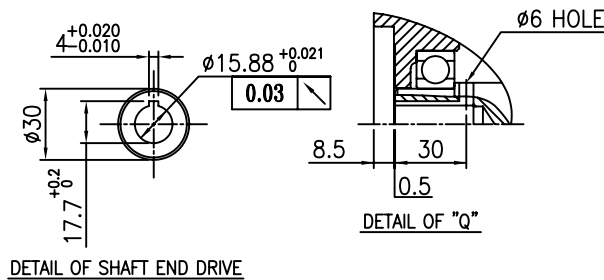
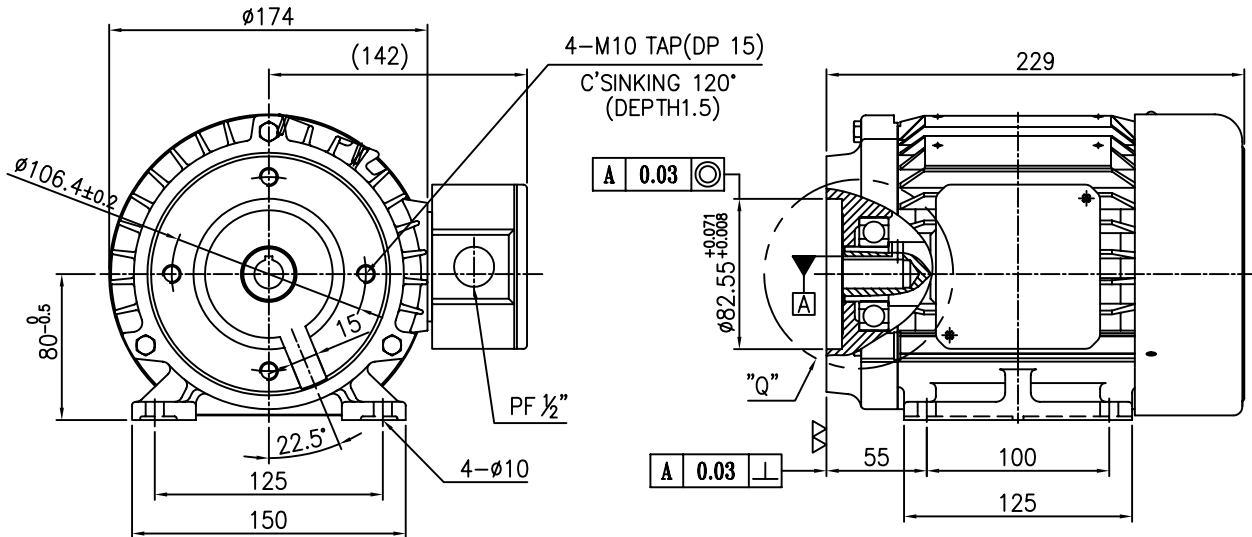


OUTLINE DIMENSION



<NOTE>

1. TYPE : TEFC(Totally Enclosed Fan Cooled)
FOOT MOUNTED TYPE
2. THE TOLERANCE FOR THE KEY DIMENSIONS
IS IN ACCORDANCE WITH KS B 1311-84
3. THE TERMINAL BOX MAY BE ROTATED
STEPS OF 90°

4. CAST IRON FRAME AND CAST IRON END BRACKETS.
5. STAINLESS STEEL NAME PLATE WITH
CONNECTION DIAGRAM.
6. STEEL FAN COVER AND
ALUMINUM TERMINAL BOX.

FRAME NO.	OUTPUT (kW)	POLE (P)	Hz	VOLTS (V)	INS. CLASS	PROTECTION	SERVICE FACTOR	RATING	BEARING NO.		APPROX WEIGHT (Kg)
									DRIVE	OPP.D.	
80	0.75	4	50(60)	220/380	B	IP54	1.0	CONT.	6206ZZ	6203ZZ	20

UNIT	mm	SCALE	N/S	PROJECT'N	3rd Angle	TITLE	OUTLINE	
DESIGNED	CHECKED	APPROVED						
2014.03.03 S.D.YUN	2014.03.03 S.D.YUN	2014.03.03 K.I.HA					SUBJECT	80, B3
HIGEN Motor co., Ltd.			DWG. NO.			DW-I01HX1DULM		