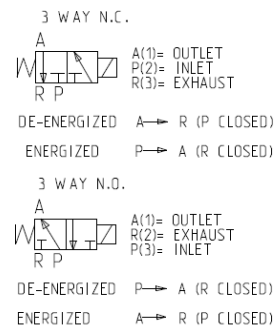
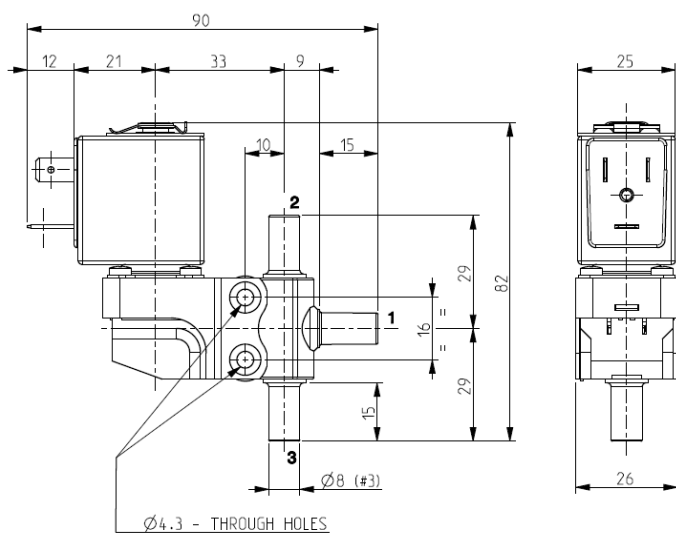




SOLENOID VALVE - DRY
3/2 – NC (Normally closed) - NO (Normally open)
Direct acting - Total isolation
Barbed port

D318



► **GENERAL FEATURES**

Direct acting, total isolation solenoid valve: the actuator is totally isolated from the fluid so that the wetted parts are just the body and the lever-seal.

Possibility of disassembling for inspection.

Core duly coated by PTFE (polytetrafluoroethylene) based self lubricating material.

Suitable to shut off liquid and gaseous fluids (verify the compatibility of fluid with materials in contact).

► **TECHNICAL FEATURES**

Maximum allowable pressure (PS)	12 bar
Opening time	~ 25ms
Closing time	~ 25ms
Fluid temperature	-10°C +100°C
Max viscosity	5°E (~37 cStokes or mm ² /s)

► **MATERIALS IN CONTACT WITH FLUID**

Body	PEI (Polyetherimide)
Sealing	EPDM or VMQ or FPM

► **COIL**

Continuous duty	ED 100%
Encapsulation material	PET (polyethylene terephthalate) fiberglass reinforced
Coil insulation class	F (155°C)
Ambient temperature	-10°C +60°C
Electric connections	DIN 46340 - 3 poles connector
Protection degree	IP 65 (EN 60529) with plug connector
Voltages DC	12-24V (+10% -5%)
AC	24V/50-60Hz - 110V/50-60Hz (120V/60Hz) 230V/50-60Hz (+10% -15%)
	(Other voltages and frequencies on request)
On request	UL approved version (see notes)

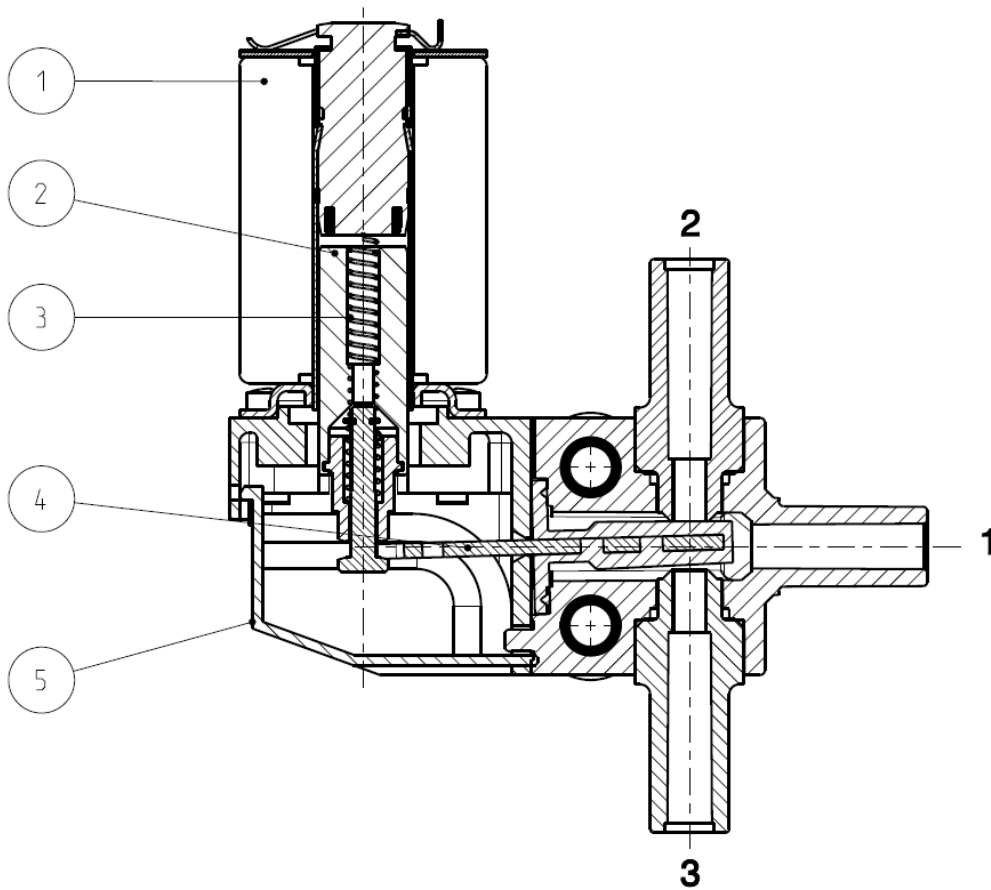
Port size	Orifice size (mm)	Differential pressure (bar)				Kv (m ³ /h)	Series and type		Power absorption			Sealings	Use Notes	Weight (kg)	
		Δp min	Δp max				Valve	Coil	AC (VA)		DC (W)				
			Gases		Liquids				Inrush	Holding					
			AC	DC	AC										DC
Barbed port	3,4	0	1	1	1	1	D318D03C	Z610A	16	10	6	EPDM	NC - 1	0,180	
							D318S03C					VMQ			
							D318V03C					FPM			
			2,5	2	2,5	2	D318D03A					EPDM			NO - 2
				D318V03A	FPM										

► **NOTES**

- Sealings : EPDM = Ethylene-propylene elastomer FPM = Fluoro-carbon elastomer VMQ = Silicone elastomer
- On request UL approved coil (Z614A - class "H" - ambient temperature -10°C +60°C)
- 1 - Suitable for diverting operation with Δp max=6 bar (inlet pressure at port 1 by using either port 2 or 3 as outlets free from throttling).
- 2 - Model available on request only: ask for minimum quantity.

D318

► SPARE PARTS



Kit description	Kit P.N.	Consisting of:	
Core kit	D318D-S-V03C D318D-V03A	G3049601 G3049602	Core pos.2 Core return spring pos.3
Lever seal	D318D03C-D03A D318S03C D318V03C-V03A	2815206R 2815202R 2815203R	Lever seal pos.4
Cover kit		G2883901	N. 10 cover pos. 5
Coil		Z610A	Coil pos. 1

► MOUNTING

- Solenoid valve can be mounted in any position.

THE VALIDITY OF REPORTED DATA IS REFERRED TO THE DATE OF ISSUE. POSSIBLE UPDATES ARE AVAILABLE ON REQUEST.