

Bosch Rexroth AG
 Service Hydraulics
 Glockeraustrasse 4
 89275 Elchingen
 Germany
 +49 (0)7308/82-2126

Spare parts list

Material number: R902153109
 Drawing: R902131795
 Designation: AXIAL-PISTON PUMP
 AA4VG90DGD1/32R-NZF52F021F-S

Status of version: 10/2017

Date: 10.10.2017

Page: 1

Pos.	Material number	Designation	Quantity	
1	R902195458	ROTARY GROUP	1 UNIT	L
2	R902015230	CONTROL	1 UNIT	L
3	R902153273	CONNECTION PLATE	1 UNIT	L
4	R902071840	INTERNAL GEAR PUMP	1 UNIT	L
6	R902041020	FILTER	1 UNIT	L
8	R909429211	COVER	1 UNIT	L
10	R902010618	HOUSING	1 UNIT	
13	R902114380	PIVOT PIN	2 UNIT	
20	R909154480	SCREW PLUG	2 UNIT	D
21	R909153338	SCREW PLUG	1 UNIT	D
22	R909153371	SCREW PLUG	2 UNIT	D
24	R909083228	SCREW PLUG	1 UNIT	
25	R909086731	O-RING	1 UNIT	D

L = Assembly group D = Sealing element

Security notice:

Assembly, commissioning and operation, disassembly, service (including maintenance and repair) require basic mechanical/electrical/hydraulic/pneumatic knowledge, as well as knowledge of the appropriate technical terms. In order to ensure operating safety, these activities may therefore only be carried out by qualified technical personnel or an instructed person under the direction and supervision of qualified personnel. Qualified personnel are those who can recognize possible hazards and institute the appropriate safety measures due to their professional training, knowledge, and experience, as well as their understanding of the relevant conditions pertaining to the work to be done. Qualified personnel must observe the rules relevant to the subject area. Also observe the generally applicable, legal or otherwise binding regulations of the European or national legislation and the rules for the prevention of accidents and for environmental protection applicable in your country. The data specified above only serve to describe the product. No statements concerning a certain condition or suitability for a certain application can be derived from our information. The given information does not release the user from the obligation of own judgement and verification. It must be remembered that our products are subject to a natural process of wear and aging.

©This document, as well as the data, specifications and other information set forth in it, are the exclusive property of Bosch Rexroth AG. Without their consent it may not be reproduced or given to third parties.

Bosch Rexroth AG
 Service Hydraulics
 Glockeraustrasse 4
 89275 Elchingen
 Germany
 +49 (0)7308/82-2126

Spare parts list

Material number: R902153109
 Drawing: R902131795
 Designation: AXIAL-PISTON PUMP
 AA4VG90DGD1/32R-NZF52F021F-S

Status of version: 10/2017

Date: 10.10.2017

Page: 2

Pos.	Material number	Designation	Quantity	
26	R909153572	SCREW PLUG	1 UNIT	
31	R913016373	SLOTTED SPRING PIN	2 UNIT	
35	R909153364	SCREW PLUG	5 UNIT	D
37	R909087913	SCREW PLUG	1 UNIT	
46	R902035616	ECCENTRIC SCREW	1 UNIT	
47	R909087405	SEALING NUT	1 UNIT	D
49	R909426706	NOZZLE	1 UNIT	
63	R909154478	SCREW PLUG	1 UNIT	D
98	R902095655	SEAL KIT	1 UNIT	

L = Assembly group D = Sealing element

Security notice:

Assembly, commissioning and operation, disassembly, service (including maintenance and repair) require basic mechanical/electrical/hydraulic/pneumatic knowledge, as well as knowledge of the appropriate technical terms. In order to ensure operating safety, these activities may therefore only be carried out by qualified technical personnel or an instructed person under the direction and supervision of qualified personnel. Qualified personnel are those who can recognize possible hazards and institute the appropriate safety measures due to their professional training, knowledge, and experience, as well as their understanding of the relevant conditions pertaining to the work to be done. Qualified personnel must observe the rules relevant to the subject area. Also observe the generally applicable, legal or otherwise binding regulations of the European or national legislation and the rules for the prevention of accidents and for environmental protection applicable in your country. The data specified above only serve to describe the product. No statements concerning a certain condition or suitability for a certain application can be derived from our information. The given information does not release the user from the obligation of own judgement and verification. It must be remembered that our products are subject to a natural process of wear and aging.

©This document, as well as the data, specifications and other information set forth in it, are the exclusive property of Bosch Rexroth AG. Without their consent it may not be reproduced or given to third parties.

Spare parts list

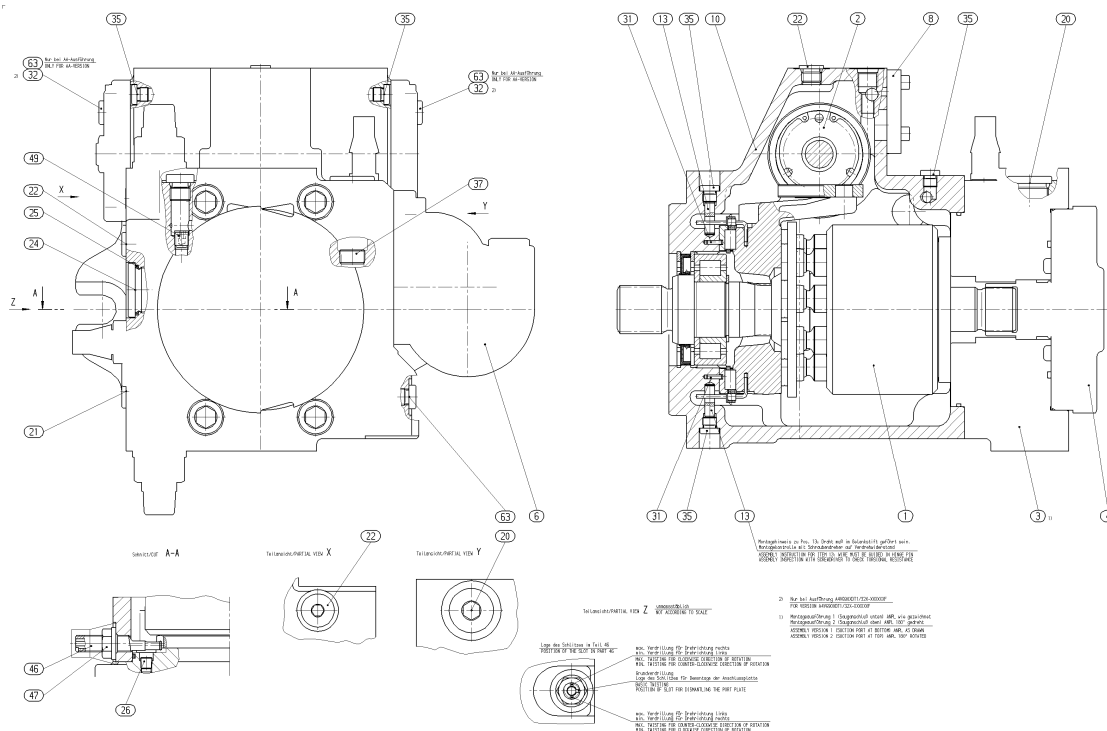
Material number: R902153109
 Drawing: R902131795
 Designation: AXIAL-PISTON PUMP
 AA4VG90DGD1/32R-NZF52F021F-S

Bosch Rexroth AG
 Service Hydraulics
 Glockeraustrasse 4
 89275 Elchingen
 Germany
 +49 (0)7308/82-2126

Status of version: 10/2017

Date: 10.10.2017

Page: 3



L = Assembly group D = Sealing element

Security notice:

Assembly, commissioning and operation, disassembly, service (including maintenance and repair) require basic mechanical/electrical/hydraulic/pneumatic knowledge, as well as knowledge of the appropriate technical terms. In order to ensure operating safety, these activities may therefore only be carried out by qualified technical personnel or an instructed person under the direction and supervision of qualified personnel. Qualified personnel are those who can recognize possible hazards and institute the appropriate safety measures due to their professional training, knowledge, and experience, as well as their understanding of the relevant conditions pertaining to the work to be done. Qualified personnel must observe the rules relevant to the subject area. Also observe the generally applicable, legal or otherwise binding regulations of the European or national legislation and the rules for the prevention of accidents and for environmental protection applicable in your country. The data specified above only serve to describe the product. No statements concerning a certain condition or suitability for a certain application can be derived from our information. The given information does not release the user from the obligation of own judgement and verification. It must be remembered that our products are subject to a natural process of wear and aging.

©This document, as well as the data, specifications and other information set forth in it, are the exclusive property of Bosch Rexroth AG. Without their consent it may not be reproduced or given to third parties.

Bosch Rexroth AG
 Service Hydraulics
 Glockeraustrasse 4
 89275 Elchingen
 Germany
 +49 (0)7308/82-2126

Spare parts list

Material number: R902195458
 Drawing: R902079219
 Designation: ROTARY GROUP

Status of version: 10/2017

Date: 10.10.2017

Page: 4

Pos.	Material number	Designation	Quantity	
1	R902079223	ROTARY GROUP	1 UNIT	L
2	R902167368	CONTROL PLATE, RIGHT-HAND ROTATION	1 UNIT	
12	R909922255	CRADLE	1 UNIT	
13	R909449810	SLIDER	1 UNIT	
14	R909449884	DRIVE SHAFT	1 UNIT	
17	R909417959	WIRE	2 UNIT	
26	R902066593	BEARING SHELL PAIR	1 UNIT	
31	R909153104	CYL. ROLLER BEARING	1 UNIT	
32	R909830165	CAGE PAIR	1 UNIT	
36	R909083362	RETAINING RING	1 UNIT	
37	R902600001	RETAINING RING	2 UNIT	
38	R902601820	SHAFT SEALING RING	1 UNIT	D
98	R902002390	SEAL KIT	1 UNIT	

L = Assembly group D = Sealing element

Security notice:

Assembly, commissioning and operation, disassembly, service (including maintenance and repair) require basic mechanical/electrical/hydraulic/pneumatic knowledge, as well as knowledge of the appropriate technical terms. In order to ensure operating safety, these activities may therefore only be carried out by qualified technical personnel or an instructed person under the direction and supervision of qualified personnel. Qualified personnel are those who can recognize possible hazards and institute the appropriate safety measures due to their professional training, knowledge, and experience, as well as their understanding of the relevant conditions pertaining to the work to be done. Qualified personnel must observe the rules relevant to the subject area. Also observe the generally applicable, legal or otherwise binding regulations of the European or national legislation and the rules for the prevention of accidents and for environmental protection applicable in your country. The data specified above only serve to describe the product. No statements concerning a certain condition or suitability for a certain application can be derived from our information. The given information does not release the user from the obligation of own judgement and verification. It must be remembered that our products are subject to a natural process of wear and aging.

©This document, as well as the data, specifications and other information set forth in it, are the exclusive property of Bosch Rexroth AG. Without their consent it may not be reproduced or given to third parties.

Spare parts list

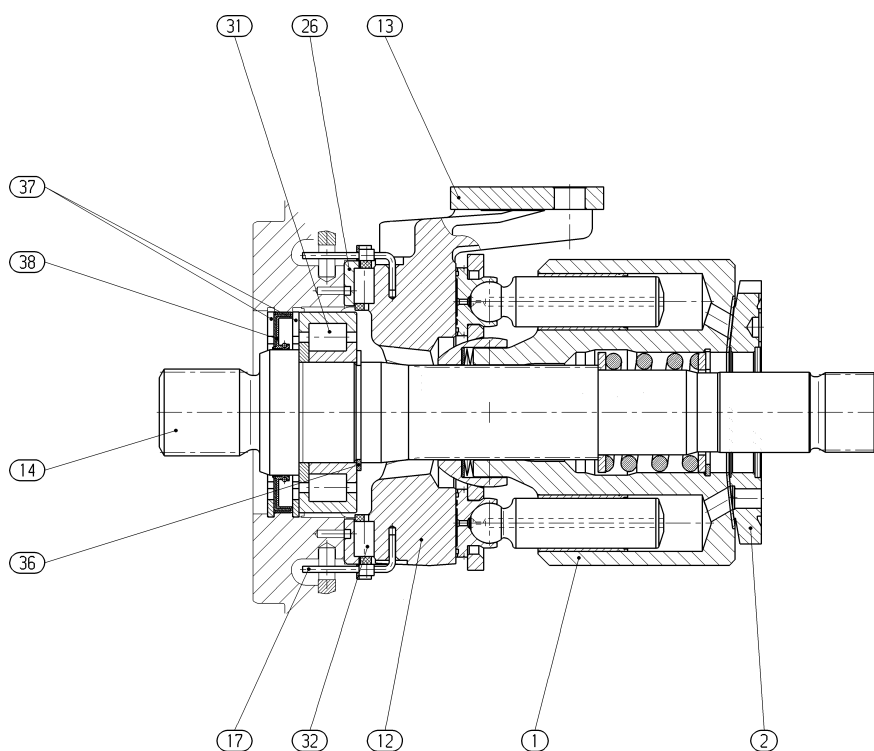
Material number: R902195458
 Drawing: R902079219
 Designation: ROTARY GROUP

Bosch Rexroth AG
 Service Hydraulics
 Glockeraustrasse 4
 89275 Elchingen
 Germany
 +49 (0)7308/82-2126

Status of version: 10/2017

Date: 10.10.2017

Page: 5



L = Assembly group D = Sealing element

Security notice:

Assembly, commissioning and operation, disassembly, service (including maintenance and repair) require basic mechanical/electrical/hydraulic/pneumatic knowledge, as well as knowledge of the appropriate technical terms. In order to ensure operating safety, these activities may therefore only be carried out by qualified technical personnel or an instructed person under the direction and supervision of qualified personnel. Qualified personnel are those who can recognize possible hazards and institute the appropriate safety measures due to their professional training, knowledge, and experience, as well as their understanding of the relevant conditions pertaining to the work to be done. Qualified personnel must observe the rules relevant to the subject area. Also observe the generally applicable, legal or otherwise binding regulations of the European or national legislation and the rules for the prevention of accidents and for environmental protection applicable in your country. The data specified above only serve to describe the product. No statements concerning a certain condition or suitability for a certain application can be derived from our information. The given information does not release the user from the obligation of own judgement and verification. It must be remembered that our products are subject to a natural process of wear and aging.

©This document, as well as the data, specifications and other information set forth in it, are the exclusive property of Bosch Rexroth AG. Without their consent it may not be reproduced or given to third parties.

Spare parts list

Bosch Rexroth AG
Service Hydraulics
Glockeraustrasse 4
89275 Elchingen
Germany
+49 (0)7308/82-2126

Material number: R902079223
Drawing: R902079225
Designation: ROTARY GROUP

Status of version: 10/2017

Date: 10.10.2017

Page: 6

Pos.	Material number	Designation	Quantity
1	R902018860	CYLINDER	1 UNIT
2	R909414515	PISTON PAD	9 UNIT
11	R902192958	CUP-SPRING STACK	1 UNIT
20	R909432983	SHIM RING	1 UNIT
20	R909432984	SHIM RING	1 UNIT
20	R909432985	SHIM RING	1 UNIT
20	R909432986	SHIM RING	1 UNIT
24	R902205455	RETAINING PLATE	1 UNIT
25	R902136991	RETAINING BALL	1 UNIT
27	R909449885	WASHER	2 UNIT
29	R909435649	COMPRESSION SPRING	1 UNIT
41	R909084556	RETAINING RING	1 UNIT

L = Assembly group D = Sealing element

Security notice:

Assembly, commissioning and operation, disassembly, service (including maintenance and repair) require basic mechanical/electrical/hydraulic/pneumatic knowledge, as well as knowledge of the appropriate technical terms. In order to ensure operating safety, these activities may therefore only be carried out by qualified technical personnel or an instructed person under the direction and supervision of qualified personnel. Qualified personnel are those who can recognize possible hazards and institute the appropriate safety measures due to their professional training, knowledge, and experience, as well as their understanding of the relevant conditions pertaining to the work to be done. Qualified personnel must observe the rules relevant to the subject area. Also observe the generally applicable, legal or otherwise binding regulations of the European or national legislation and the rules for the prevention of accidents and for environmental protection applicable in your country. The data specified above only serve to describe the product. No statements concerning a certain condition or suitability for a certain application can be derived from our information. The given information does not release the user from the obligation of own judgement and verification. It must be remembered that our products are subject to a natural process of wear and aging.

©This document, as well as the data, specifications and other information set forth in it, are the exclusive property of Bosch Rexroth AG. Without their consent it may not be reproduced or given to third parties.

Spare parts list

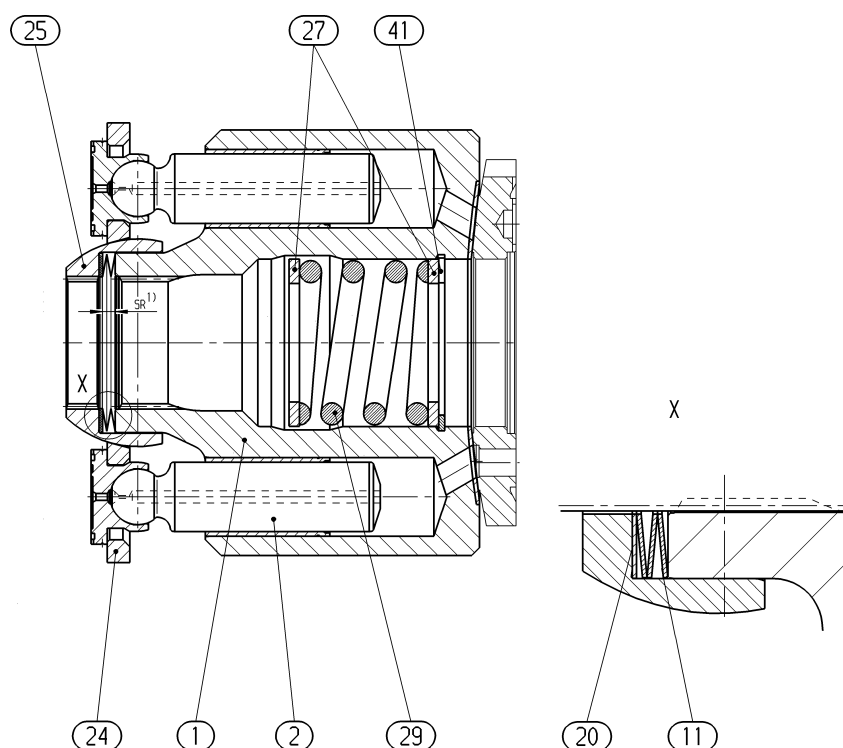
Bosch Rexroth AG
 Service Hydraulics
 Glockeraustrasse 4
 89275 Elchingen
 Germany
 +49 (0)7308/82-2126

Material number: R902079223
 Drawing: R902079225
 Designation: ROTARY GROUP

Status of version: 10/2017

Date: 10.10.2017

Page: 7



L = Assembly group D = Sealing element

Security notice:

Assembly, commissioning and operation, disassembly, service (including maintenance and repair) require basic mechanical/electrical/hydraulic/pneumatic knowledge, as well as knowledge of the appropriate technical terms. In order to ensure operating safety, these activities may therefore only be carried out by qualified technical personnel or an instructed person under the direction and supervision of qualified personnel. Qualified personnel are those who can recognize possible hazards and institute the appropriate safety measures due to their professional training, knowledge, and experience, as well as their understanding of the relevant conditions pertaining to the work to be done. Qualified personnel must observe the rules relevant to the subject area. Also observe the generally applicable, legal or otherwise binding regulations of the European or national legislation and the rules for the prevention of accidents and for environmental protection applicable in your country. The data specified above only serve to describe the product. No statements concerning a certain condition or suitability for a certain application can be derived from our information. The given information does not release the user from the obligation of own judgement and verification. It must be remembered that our products are subject to a natural process of wear and aging.

©This document, as well as the data, specifications and other information set forth in it, are the exclusive property of Bosch Rexroth AG. Without their consent it may not be reproduced or given to third parties.

Spare parts list

Bosch Rexroth AG
 Service Hydraulics
 Glockeraustrasse 4
 89275 Elchingen
 Germany
 +49 (0)7308/82-2126

Material number: R902015230
 Drawing: R902010629
 Designation: CONTROL

Status of version: 10/2017

Date: 10.10.2017

Page: 8

Pos.	Material number	Designation	Quantity	
1	R902025527	POSITIONING PISTON	1 UNIT	L
3	R902010621	COVER	1 UNIT	
4	R902010622	COVER	1 UNIT	
16	R909157477	HEXAGON NUT	1 UNIT	
17	R909083036	SOCKET HEAD CAP SCREW	8 UNIT	
20	R909083790	O-RING	2 UNIT	D
30	R902600838	ROD GUIDANCE RING	2 UNIT	
31		ROD SEAL	2 UNIT	D
98	R902002373	SEAL KIT	1 UNIT	

L = Assembly group D = Sealing element

Security notice:

Assembly, commissioning and operation, disassembly, service (including maintenance and repair) require basic mechanical/electrical/hydraulic/pneumatic knowledge, as well as knowledge of the appropriate technical terms. In order to ensure operating safety, these activities may therefore only be carried out by qualified technical personnel or an instructed person under the direction and supervision of qualified personnel. Qualified personnel are those who can recognize possible hazards and institute the appropriate safety measures due to their professional training, knowledge, and experience, as well as their understanding of the relevant conditions pertaining to the work to be done. Qualified personnel must observe the rules relevant to the subject area. Also observe the generally applicable, legal or otherwise binding regulations of the European or national legislation and the rules for the prevention of accidents and for environmental protection applicable in your country. The data specified above only serve to describe the product. No statements concerning a certain condition or suitability for a certain application can be derived from our information. The given information does not release the user from the obligation of own judgement and verification. It must be remembered that our products are subject to a natural process of wear and aging.

©This document, as well as the data, specifications and other information set forth in it, are the exclusive property of Bosch Rexroth AG. Without their consent it may not be reproduced or given to third parties.

Spare parts list

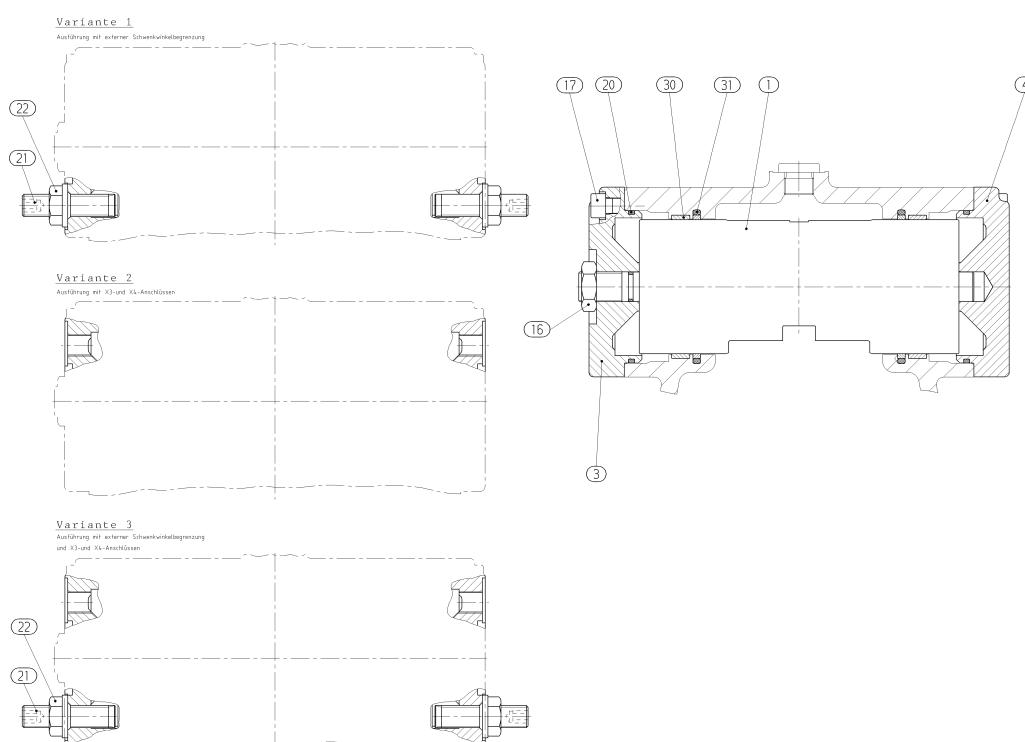
Material number: R902015230
 Drawing: R902010629
 Designation: CONTROL

Bosch Rexroth AG
 Service Hydraulics
 Glockeraustrasse 4
 89275 Elchingen
 Germany
 +49 (0)7308/82-2126

Status of version: 10/2017

Date: 10.10.2017

Page: 9



L = Assembly group D = Sealing element

Security notice:

Assembly, commissioning and operation, disassembly, service (including maintenance and repair) require basic mechanical/electrical/hydraulic/pneumatic knowledge, as well as knowledge of the appropriate technical terms. In order to ensure operating safety, these activities may therefore only be carried out by qualified technical personnel or an instructed person under the direction and supervision of qualified personnel. Qualified personnel are those who can recognize possible hazards and institute the appropriate safety measures due to their professional training, knowledge, and experience, as well as their understanding of the relevant conditions pertaining to the work to be done. Qualified personnel must observe the rules relevant to the subject area. Also observe the generally applicable, legal or otherwise binding regulations of the European or national legislation and the rules for the prevention of accidents and for environmental protection applicable in your country. The data specified above only serve to describe the product. No statements concerning a certain condition or suitability for a certain application can be derived from our information. The given information does not release the user from the obligation of own judgement and verification. It must be remembered that our products are subject to a natural process of wear and aging.

©This document, as well as the data, specifications and other information set forth in it, are the exclusive property of Bosch Rexroth AG. Without their consent it may not be reproduced or given to third parties.

Spare parts list

Bosch Rexroth AG
 Service Hydraulics
 Glockeraustrasse 4
 89275 Elchingen
 Germany
 +49 (0)7308/82-2126

Material number: R902025527
 Drawing: R902025513
 Designation: POSITIONING PISTON

Status of version: 10/2017

Date: 10.10.2017

Page: 10

Pos.	Material number	Designation	Quantity
1	R902205263	POSITIONING PISTON	1 UNIT
2	R909922109	ROD	1 UNIT
5	R902020493	RING	2 UNIT
5	R902020494	RING	2 UNIT
5	R902020495	RING	2 UNIT
5	R902020496	RING	2 UNIT
5	R902020497	RING	2 UNIT
5	R902020498	RING	2 UNIT
5	R902029756	RING	2 UNIT
5	R902029757	RING	2 UNIT
5	R902043149	RING	2 UNIT
6	R902600767	LOCATING RING	2 UNIT
7	R902095432	SPRING DISK	2 UNIT

L = Assembly group D = Sealing element

Security notice:

Assembly, commissioning and operation, disassembly, service (including maintenance and repair) require basic mechanical/electrical/hydraulic/pneumatic knowledge, as well as knowledge of the appropriate technical terms. In order to ensure operating safety, these activities may therefore only be carried out by qualified technical personnel or an instructed person under the direction and supervision of qualified personnel. Qualified personnel are those who can recognize possible hazards and institute the appropriate safety measures due to their professional training, knowledge, and experience, as well as their understanding of the relevant conditions pertaining to the work to be done. Qualified personnel must observe the rules relevant to the subject area. Also observe the generally applicable, legal or otherwise binding regulations of the European or national legislation and the rules for the prevention of accidents and for environmental protection applicable in your country. The data specified above only serve to describe the product. No statements concerning a certain condition or suitability for a certain application can be derived from our information. The given information does not release the user from the obligation of own judgement and verification. It must be remembered that our products are subject to a natural process of wear and aging.

©This document, as well as the data, specifications and other information set forth in it, are the exclusive property of Bosch Rexroth AG. Without their consent it may not be reproduced or given to third parties.

Bosch Rexroth AG
Service Hydraulics
Glockeraustrasse 4
89275 Elchingen
Germany
+49 (0)7308/82-2126

Spare parts list

Material number: R902025527
Drawing: R902025513
Designation: POSITIONING PISTON

Status of version: 10/2017

Date: 10.10.2017

Page: 11

Pos.	Material number	Designation	Quantity	
10	R909922121	COMPRESSION SPRING	2 UNIT	
11	R902146929	COMPRESSION SPRING	2 UNIT	
15	R909830312	RETAINING RING	2 UNIT	
19	R909086333	O-RING	1 UNIT	D
23	R902095433	SPRING DISK	2 UNIT	

L = Assembly group D = Sealing element

Security notice:

Assembly, commissioning and operation, disassembly, service (including maintenance and repair) require basic mechanical/electrical/hydraulic/pneumatic knowledge, as well as knowledge of the appropriate technical terms. In order to ensure operating safety, these activities may therefore only be carried out by qualified technical personnel or an instructed person under the direction and supervision of qualified personnel. Qualified personnel are those who can recognize possible hazards and institute the appropriate safety measures due to their professional training, knowledge, and experience, as well as their understanding of the relevant conditions pertaining to the work to be done. Qualified personnel must observe the rules relevant to the subject area. Also observe the generally applicable, legal or otherwise binding regulations of the European or national legislation and the rules for the prevention of accidents and for environmental protection applicable in your country. The data specified above only serve to describe the product. No statements concerning a certain condition or suitability for a certain application can be derived from our information. The given information does not release the user from the obligation of own judgement and verification. It must be remembered that our products are subject to a natural process of wear and aging.

©This document, as well as the data, specifications and other information set forth in it, are the exclusive property of Bosch Rexroth AG. Without their consent it may not be reproduced or given to third parties.

Spare parts list

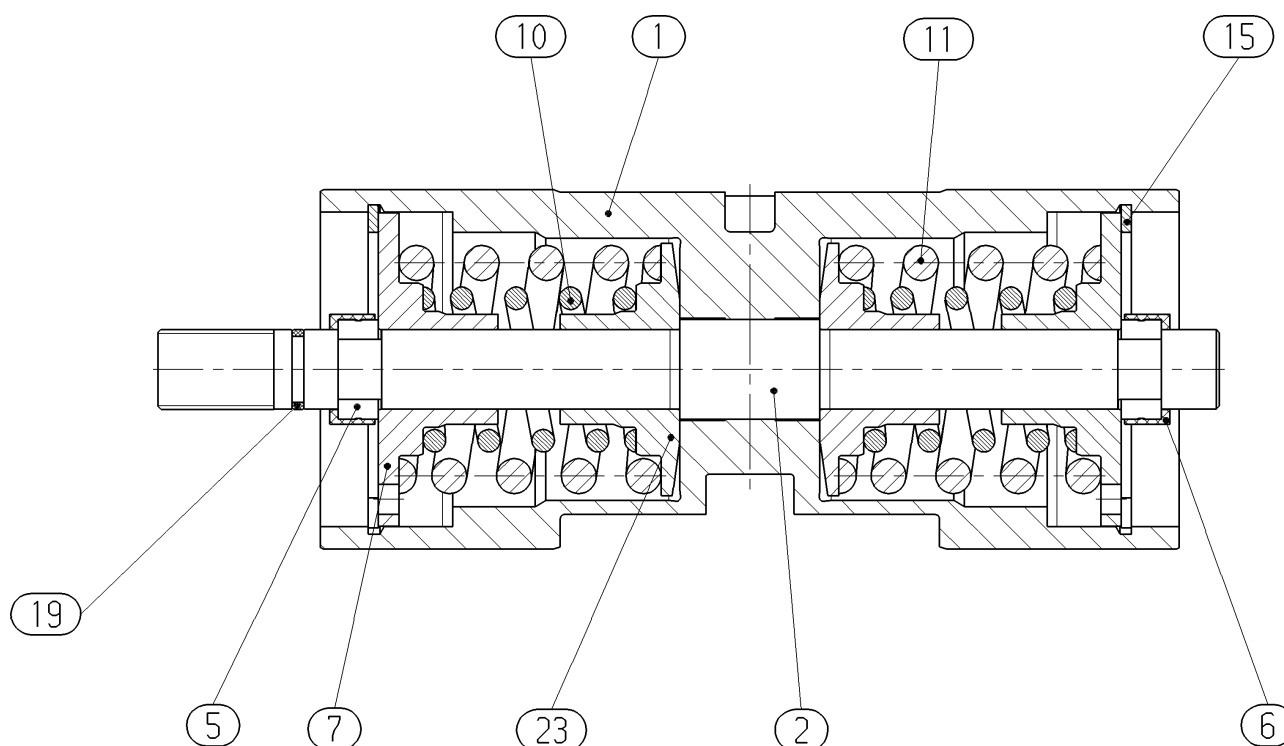
Bosch Rexroth AG
 Service Hydraulics
 Glockeraustrasse 4
 89275 Elchingen
 Germany
 +49 (0)7308/82-2126

Material number: R902025527
 Drawing: R902025513
 Designation: POSITIONING PISTON

Status of version: 10/2017

Date: 10.10.2017

Page: 12



L = Assembly group D = Sealing element

Security notice:

Assembly, commissioning and operation, disassembly, service (including maintenance and repair) require basic mechanical/electrical/hydraulic/pneumatic knowledge, as well as knowledge of the appropriate technical terms. In order to ensure operating safety, these activities may therefore only be carried out by qualified technical personnel or an instructed person under the direction and supervision of qualified personnel. Qualified personnel are those who can recognize possible hazards and institute the appropriate safety measures due to their professional training, knowledge, and experience, as well as their understanding of the relevant conditions pertaining to the work to be done. Qualified personnel must observe the rules relevant to the subject area. Also observe the generally applicable, legal or otherwise binding regulations of the European or national legislation and the rules for the prevention of accidents and for environmental protection applicable in your country. The data specified above only serve to describe the product. No statements concerning a certain condition or suitability for a certain application can be derived from our information. The given information does not release the user from the obligation of own judgement and verification. It must be remembered that our products are subject to a natural process of wear and aging.

©This document, as well as the data, specifications and other information set forth in it, are the exclusive property of Bosch Rexroth AG. Without their consent it may not be reproduced or given to third parties.

Bosch Rexroth AG
 Service Hydraulics
 Glockeraustrasse 4
 89275 Elchingen
 Germany
 +49 (0)7308/82-2126

Spare parts list

Material number: R902153273
 Drawing:
 Designation: CONNECTION PLATE

Status of version: 10/2017

Date: 10.10.2017

Page: 13

Pos.	Material number	Designation	Quantity	
1	R902603814	DELIVERY-VALVE ASSEMBLY	2 UNIT	L
2	R902079938	PRESSURE RELIEF VALVE	1 UNIT	L
3	R909437363	PRESSURE CUT-OFF VALVE	1 UNIT	L
5	R902153271	CONNECTION PLATE	1 UNIT	
6	R909449136	BUSHING	1 UNIT	
7	R909083141	SOCKET HEAD CAP SCREW	4 UNIT	
9	R909830300	O-RING	1 UNIT	D
11		DOUBLE BREAK-OFF PLUG	1 UNIT	D
12	R909151692	SCREW PLUG	1 UNIT	D
13		DOUBLE BREAK-OFF PLUG	3 UNIT	D
26	R909086333	O-RING	2 UNIT	D
35	R909154478	SCREW PLUG	2 UNIT	D
43	R909440537	BUSHING	1 UNIT	

L = Assembly group D = Sealing element

Security notice:

Assembly, commissioning and operation, disassembly, service (including maintenance and repair) require basic mechanical/electrical/hydraulic/pneumatic knowledge, as well as knowledge of the appropriate technical terms. In order to ensure operating safety, these activities may therefore only be carried out by qualified technical personnel or an instructed person under the direction and supervision of qualified personnel. Qualified personnel are those who can recognize possible hazards and institute the appropriate safety measures due to their professional training, knowledge, and experience, as well as their understanding of the relevant conditions pertaining to the work to be done. Qualified personnel must observe the rules relevant to the subject area. Also observe the generally applicable, legal or otherwise binding regulations of the European or national legislation and the rules for the prevention of accidents and for environmental protection applicable in your country. The data specified above only serve to describe the product. No statements concerning a certain condition or suitability for a certain application can be derived from our information. The given information does not release the user from the obligation of own judgement and verification. It must be remembered that our products are subject to a natural process of wear and aging.

©This document, as well as the data, specifications and other information set forth in it, are the exclusive property of Bosch Rexroth AG. Without their consent it may not be reproduced or given to third parties.

Spare parts list

Bosch Rexroth AG
Service Hydraulics
Glockeraustrasse 4
89275 Elchingen
Germany
+49 (0)7308/82-2126

Material number: R902153273
Drawing:
Designation: CONNECTION PLATE

Status of version: 10/2017

Date: 10.10.2017

Page: 14

Pos.	Material number	Designation	Quantity
44	R909435790	BUSHING	1 UNIT
55	R909083825	O-RING	1 UNIT
98	R902002400	SEAL KIT	1 UNIT

L = Assembly group D = Sealing element

Security notice:

Assembly, commissioning and operation, disassembly, service (including maintenance and repair) require basic mechanical/electrical/hydraulic/pneumatic knowledge, as well as knowledge of the appropriate technical terms. In order to ensure operating safety, these activities may therefore only be carried out by qualified technical personnel or an instructed person under the direction and supervision of qualified personnel. Qualified personnel are those who can recognize possible hazards and institute the appropriate safety measures due to their professional training, knowledge, and experience, as well as their understanding of the relevant conditions pertaining to the work to be done. Qualified personnel must observe the rules relevant to the subject area. Also observe the generally applicable, legal or otherwise binding regulations of the European or national legislation and the rules for the prevention of accidents and for environmental protection applicable in your country. The data specified above only serve to describe the product. No statements concerning a certain condition or suitability for a certain application can be derived from our information. The given information does not release the user from the obligation of own judgement and verification. It must be remembered that our products are subject to a natural process of wear and aging.

©This document, as well as the data, specifications and other information set forth in it, are the exclusive property of Bosch Rexroth AG. Without their consent it may not be reproduced or given to third parties.

Spare parts list

Bosch Rexroth AG
Service Hydraulics
Glockeraustrasse 4
89275 Elchingen
Germany
+49 (0)7308/82-2126

Material number: R902603814
Drawing:
Designation: DELIVERY-VALVE ASSEMBLY

Status of version: 10/2017

Date: 10.10.2017

Page: 15

Pos.	Material number	Designation	Quantity	
1	R901162655	PRESSURE RELIEF VALVE	1 UNIT	
98	R961003396	SEAL KIT	1 UNIT	L

L = Assembly group D = Sealing element

Security notice:

Assembly, commissioning and operation, disassembly, service (including maintenance and repair) require basic mechanical/electrical/hydraulic/pneumatic knowledge, as well as knowledge of the appropriate technical terms. In order to ensure operating safety, these activities may therefore only be carried out by qualified technical personnel or an instructed person under the direction and supervision of qualified personnel. Qualified personnel are those who can recognize possible hazards and institute the appropriate safety measures due to their professional training, knowledge, and experience, as well as their understanding of the relevant conditions pertaining to the work to be done. Qualified personnel must observe the rules relevant to the subject area. Also observe the generally applicable, legal or otherwise binding regulations of the European or national legislation and the rules for the prevention of accidents and for environmental protection applicable in your country. The data specified above only serve to describe the product. No statements concerning a certain condition or suitability for a certain application can be derived from our information. The given information does not release the user from the obligation of own judgement and verification. It must be remembered that our products are subject to a natural process of wear and aging.

©This document, as well as the data, specifications and other information set forth in it, are the exclusive property of Bosch Rexroth AG. Without their consent it may not be reproduced or given to third parties.

Spare parts list

Bosch Rexroth AG
Service Hydraulics
Bgm.-Dr.-Nebel-Str. 8
97816 Lohr
Germany

Material number: R961003396
Drawing: R961003649
Designation: SEAL KIT

Status of version: 10/2017

Date: 10.10.2017

Page: 16

Pos.	Material number	Designation	Quantity
33		O-RING	2 UNIT
34		BACKUP RING	2 UNIT
40		O-RING	2 UNIT

L = Assembly group D = Sealing element

Security notice:

Assembly, commissioning and operation, disassembly, service (including maintenance and repair) require basic mechanical/electrical/hydraulic/pneumatic knowledge, as well as knowledge of the appropriate technical terms. In order to ensure operating safety, these activities may therefore only be carried out by qualified technical personnel or an instructed person under the direction and supervision of qualified personnel. Qualified personnel are those who can recognize possible hazards and institute the appropriate safety measures due to their professional training, knowledge, and experience, as well as their understanding of the relevant conditions pertaining to the work to be done. Qualified personnel must observe the rules relevant to the subject area. Also observe the generally applicable, legal or otherwise binding regulations of the European or national legislation and the rules for the prevention of accidents and for environmental protection applicable in your country. The data specified above only serve to describe the product. No statements concerning a certain condition or suitability for a certain application can be derived from our information. The given information does not release the user from the obligation of own judgement and verification. It must be remembered that our products are subject to a natural process of wear and aging.

©This document, as well as the data, specifications and other information set forth in it, are the exclusive property of Bosch Rexroth AG. Without their consent it may not be reproduced or given to third parties.

Spare parts list

Bosch Rexroth AG
Service Hydraulics
Bgm.-Dr.-Nebel-Str. 8
97816 Lohr
Germany

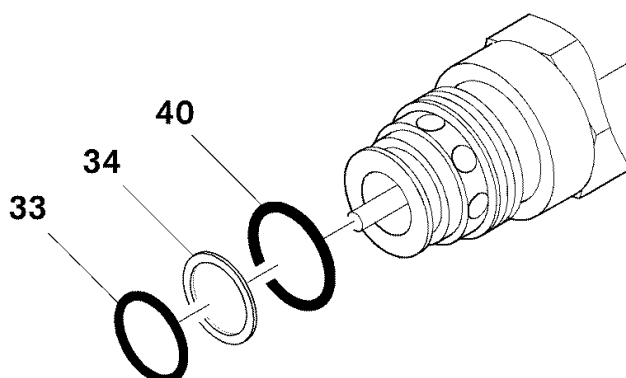
Material number: R961003396
Drawing: R961003649
Designation: SEAL KIT

Status of version: 10/2017

Date: 10.10.2017

Page: 17

Zeichnungs-Nr.: R961003649-A
Typenschlüssel: MH-R/HP/



L = Assembly group D = Sealing element

Security notice:

Assembly, commissioning and operation, disassembly, service (including maintenance and repair) require basic mechanical/electrical/hydraulic/pneumatic knowledge, as well as knowledge of the appropriate technical terms. In order to ensure operating safety, these activities may therefore only be carried out by qualified technical personnel or an instructed person under the direction and supervision of qualified personnel. Qualified personnel are those who can recognize possible hazards and institute the appropriate safety measures due to their professional training, knowledge, and experience, as well as their understanding of the relevant conditions pertaining to the work to be done. Qualified personnel must observe the rules relevant to the subject area. Also observe the generally applicable, legal or otherwise binding regulations of the European or national legislation and the rules for the prevention of accidents and for environmental protection applicable in your country. The data specified above only serve to describe the product. No statements concerning a certain condition or suitability for a certain application can be derived from our information. The given information does not release the user from the obligation of own judgement and verification. It must be remembered that our products are subject to a natural process of wear and aging.

©This document, as well as the data, specifications and other information set forth in it, are the exclusive property of Bosch Rexroth AG. Without their consent it may not be reproduced or given to third parties.

Bosch Rexroth AG
 Service Hydraulics
 Glockeraustrasse 4
 89275 Elchingen
 Germany
 +49 (0)7308/82-2126

Spare parts list

Material number: R902079938
 Drawing: R902053031
 Designation: PRESSURE RELIEF VALVE

Status of version: 10/2017

Date: 10.10.2017

Page: 18

Pos.	Material number	Designation	Quantity	
1	R902053020	SCREW PLUG	1 UNIT	
2	R909435899	VALVE SPOOL	1 UNIT	
3	R902010336	SPRING DISK	1 UNIT	
4	R909440765	COMPRESSION SPRING	1 UNIT	
5	R909083761	O-RING	1 UNIT	D
6	R909150369	SHIM RING	1 UNIT	
6	R909150370	SHIM RING	1 UNIT	
6	R909153402	SHIM RING	1 UNIT	
7	R902601138	NOZZLE	2 UNIT	

L = Assembly group D = Sealing element

Security notice:

Assembly, commissioning and operation, disassembly, service (including maintenance and repair) require basic mechanical/electrical/hydraulic/pneumatic knowledge, as well as knowledge of the appropriate technical terms. In order to ensure operating safety, these activities may therefore only be carried out by qualified technical personnel or an instructed person under the direction and supervision of qualified personnel. Qualified personnel are those who can recognize possible hazards and institute the appropriate safety measures due to their professional training, knowledge, and experience, as well as their understanding of the relevant conditions pertaining to the work to be done. Qualified personnel must observe the rules relevant to the subject area. Also observe the generally applicable, legal or otherwise binding regulations of the European or national legislation and the rules for the prevention of accidents and for environmental protection applicable in your country. The data specified above only serve to describe the product. No statements concerning a certain condition or suitability for a certain application can be derived from our information. The given information does not release the user from the obligation of own judgement and verification. It must be remembered that our products are subject to a natural process of wear and aging.

©This document, as well as the data, specifications and other information set forth in it, are the exclusive property of Bosch Rexroth AG. Without their consent it may not be reproduced or given to third parties.

Spare parts list

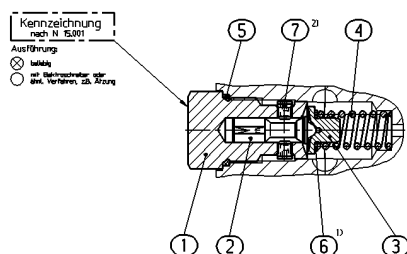
Material number: R902079938
 Drawing: R902053031
 Designation: PRESSURE RELIEF VALVE

Bosch Rexroth AG
 Service Hydraulics
 Glockeraustrasse 4
 89275 Elchingen
 Germany
 +49 (0)7308/82-2126

Status of version: 10/2017

Date: 10.10.2017

Page: 19



1) Scheibendicke nach Druckbelastung
 siehe 521.15.10, 10/12, 01

2) Anziehdrehmoment: $M_A = 6,5 \text{ Nm}$

L = Assembly group D = Sealing element

Security notice:

Assembly, commissioning and operation, disassembly, service (including maintenance and repair) require basic mechanical/electrical/hydraulic/pneumatic knowledge, as well as knowledge of the appropriate technical terms. In order to ensure operating safety, these activities may therefore only be carried out by qualified technical personnel or an instructed person under the direction and supervision of qualified personnel. Qualified personnel are those who can recognize possible hazards and institute the appropriate safety measures due to their professional training, knowledge, and experience, as well as their understanding of the relevant conditions pertaining to the work to be done. Qualified personnel must observe the rules relevant to the subject area. Also observe the generally applicable, legal or otherwise binding regulations of the European or national legislation and the rules for the prevention of accidents and for environmental protection applicable in your country. The data specified above only serve to describe the product. No statements concerning a certain condition or suitability for a certain application can be derived from our information. The given information does not release the user from the obligation of own judgement and verification. It must be remembered that our products are subject to a natural process of wear and aging.

©This document, as well as the data, specifications and other information set forth in it, are the exclusive property of Bosch Rexroth AG. Without their consent it may not be reproduced or given to third parties.

Bosch Rexroth AG
 Service Hydraulics
 Glockeraustrasse 4
 89275 Elchingen
 Germany
 +49 (0)7308/82-2126

Spare parts list

Material number: R909437363
 Drawing: R909731051
 Designation: PRESSURE CUT-OFF VALVE

Status of version: 10/2017

Date: 10.10.2017

Page: 20

Pos.	Material number	Designation	Quantity	
1	R909436569	SCREW PLUG	1 UNIT	
2	R909436553	VALVE BUSHING	1 UNIT	
3	R909432162	CONTROL PISTON	1 UNIT	
4	R909432163	PISTON	1 UNIT	
5	R909432164	VALVE SPOOL	1 UNIT	
6	R909436284	VALVE SEAT	1 UNIT	
7	R902168277	COMPRESSION SPRING	1 UNIT	
8	R902049851	SPRING DISK	2 UNIT	
9	R909432167	ADJUSTING SCREW	1 UNIT	
10	R909083752	O-RING	1 UNIT	D
14	R909152707	SEALING NUT	1 UNIT	D
15	R909086380	O-RING	1 UNIT	D

L = Assembly group D = Sealing element

Security notice:

Assembly, commissioning and operation, disassembly, service (including maintenance and repair) require basic mechanical/electrical/hydraulic/pneumatic knowledge, as well as knowledge of the appropriate technical terms. In order to ensure operating safety, these activities may therefore only be carried out by qualified technical personnel or an instructed person under the direction and supervision of qualified personnel. Qualified personnel are those who can recognize possible hazards and institute the appropriate safety measures due to their professional training, knowledge, and experience, as well as their understanding of the relevant conditions pertaining to the work to be done. Qualified personnel must observe the rules relevant to the subject area. Also observe the generally applicable, legal or otherwise binding regulations of the European or national legislation and the rules for the prevention of accidents and for environmental protection applicable in your country. The data specified above only serve to describe the product. No statements concerning a certain condition or suitability for a certain application can be derived from our information. The given information does not release the user from the obligation of own judgement and verification. It must be remembered that our products are subject to a natural process of wear and aging.

©This document, as well as the data, specifications and other information set forth in it, are the exclusive property of Bosch Rexroth AG. Without their consent it may not be reproduced or given to third parties.

Spare parts list

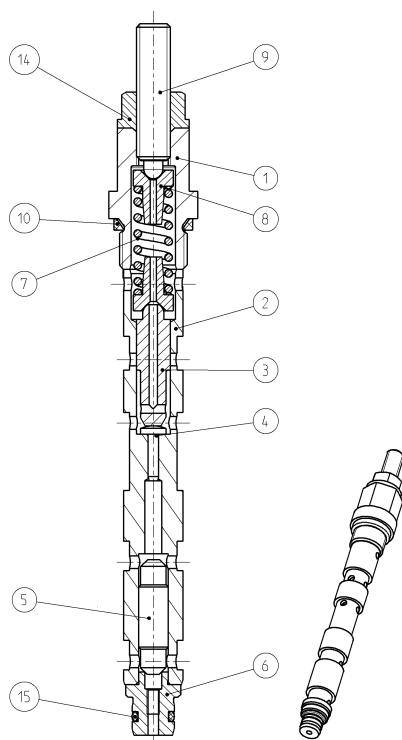
Material number: R909437363
Drawing: R909731051
Designation: PRESSURE CUT-OFF VALVE

Bosch Rexroth AG
Service Hydraulics
Glockeraustrasse 4
89275 Elchingen
Germany
+49 (0)7308/82-2126

Status of version: 10/2017

Date: 10.10.2017

Page: 21



L = Assembly group D = Sealing element

Security notice:

Assembly, commissioning and operation, disassembly, service (including maintenance and repair) require basic mechanical/electrical/hydraulic/pneumatic knowledge, as well as knowledge of the appropriate technical terms. In order to ensure operating safety, these activities may therefore only be carried out by qualified technical personnel or an instructed person under the direction and supervision of qualified personnel. Qualified personnel are those who can recognize possible hazards and institute the appropriate safety measures due to their professional training, knowledge, and experience, as well as their understanding of the relevant conditions pertaining to the work to be done. Qualified personnel must observe the rules relevant to the subject area. Also observe the generally applicable, legal or otherwise binding regulations of the European or national legislation and the rules for the prevention of accidents and for environmental protection applicable in your country. The data specified above only serve to describe the product. No statements concerning a certain condition or suitability for a certain application can be derived from our information. The given information does not release the user from the obligation of own judgement and verification. It must be remembered that our products are subject to a natural process of wear and aging.

©This document, as well as the data, specifications and other information set forth in it, are the exclusive property of Bosch Rexroth AG. Without their consent it may not be reproduced or given to third parties.

Bosch Rexroth AG
Service Hydraulics
Glockeraustrasse 4
89275 Elchingen
Germany
+49 (0)7308/82-2126

Spare parts list

Material number: R902071840
Drawing: R902077732
Designation: INTERNAL GEAR PUMP

Status of version: 10/2017

Date: 10.10.2017

Page: 22

Pos.	Material number	Designation	Quantity	
1	R902077740	INTERNAL GEAR PUMP	1 UNIT	L
2	R902077790	WEAR PLATE	1 UNIT	
3	R913007069	HOLDING PLUG	2 UNIT	
98	R902002412	SEAL KIT	1 UNIT	

L = Assembly group D = Sealing element

Security notice:

Assembly, commissioning and operation, disassembly, service (including maintenance and repair) require basic mechanical/electrical/hydraulic/pneumatic knowledge, as well as knowledge of the appropriate technical terms. In order to ensure operating safety, these activities may therefore only be carried out by qualified technical personnel or an instructed person under the direction and supervision of qualified personnel. Qualified personnel are those who can recognize possible hazards and institute the appropriate safety measures due to their professional training, knowledge, and experience, as well as their understanding of the relevant conditions pertaining to the work to be done. Qualified personnel must observe the rules relevant to the subject area. Also observe the generally applicable, legal or otherwise binding regulations of the European or national legislation and the rules for the prevention of accidents and for environmental protection applicable in your country. The data specified above only serve to describe the product. No statements concerning a certain condition or suitability for a certain application can be derived from our information. The given information does not release the user from the obligation of own judgement and verification. It must be remembered that our products are subject to a natural process of wear and aging.

©This document, as well as the data, specifications and other information set forth in it, are the exclusive property of Bosch Rexroth AG. Without their consent it may not be reproduced or given to third parties.

Spare parts list

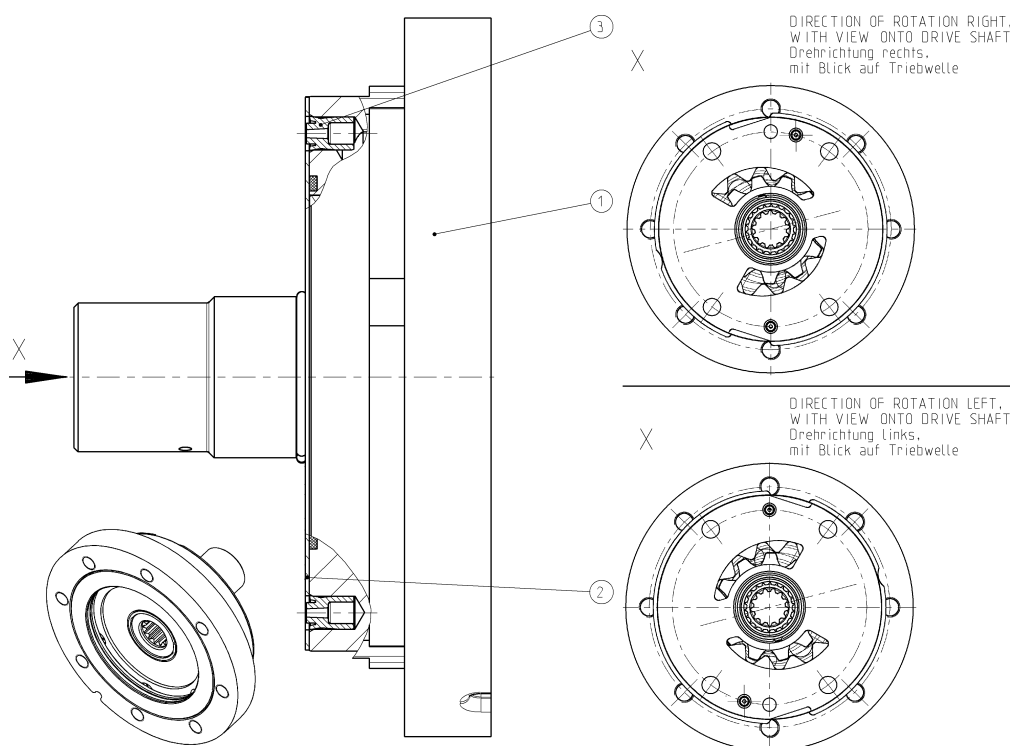
Material number: R902071840
 Drawing: R902077732
 Designation: INTERNAL GEAR PUMP

Bosch Rexroth AG
 Service Hydraulics
 Glockeraustrasse 4
 89275 Elchingen
 Germany
 +49 (0)7308/82-2126

Status of version: 10/2017

Date: 10.10.2017

Page: 23



L = Assembly group D = Sealing element

Security notice:

Assembly, commissioning and operation, disassembly, service (including maintenance and repair) require basic mechanical/electrical/hydraulic/pneumatic knowledge, as well as knowledge of the appropriate technical terms. In order to ensure operating safety, these activities may therefore only be carried out by qualified technical personnel or an instructed person under the direction and supervision of qualified personnel. Qualified personnel are those who can recognize possible hazards and institute the appropriate safety measures due to their professional training, knowledge, and experience, as well as their understanding of the relevant conditions pertaining to the work to be done. Qualified personnel must observe the rules relevant to the subject area. Also observe the generally applicable, legal or otherwise binding regulations of the European or national legislation and the rules for the prevention of accidents and for environmental protection applicable in your country. The data specified above only serve to describe the product. No statements concerning a certain condition or suitability for a certain application can be derived from our information. The given information does not release the user from the obligation of own judgement and verification. It must be remembered that our products are subject to a natural process of wear and aging.

©This document, as well as the data, specifications and other information set forth in it, are the exclusive property of Bosch Rexroth AG. Without their consent it may not be reproduced or given to third parties.

Spare parts list

Bosch Rexroth AG
 Service Hydraulics
 Glockeraustrasse 4
 89275 Elchingen
 Germany
 +49 (0)7308/82-2126

Material number: R902077740
 Drawing: R909723620
 Designation: INTERNAL GEAR PUMP

Status of version: 10/2017

Date: 10.10.2017

Page: 24

Pos.	Material number	Designation	Quantity	
1	R902077798	INTERMEDIATE FLANGE	1 UNIT	
3	R909449136	BUSHING	1 UNIT	
5	R902013160	THROUGH DRIVE SHAFT	1 UNIT	
7	R902006258	WHEEL SET	1 UNIT	
8	R902025649	PARALLEL KEY	1 UNIT	
9	R909156930	SNAP RING	1 UNIT	
10	R909083091	SOCKET HEAD CAP SCREW	4 UNIT	
12	R909083825	O-RING	1 UNIT	D
20		O-RING	1 UNIT	D

L = Assembly group D = Sealing element

Security notice:

Assembly, commissioning and operation, disassembly, service (including maintenance and repair) require basic mechanical/electrical/hydraulic/pneumatic knowledge, as well as knowledge of the appropriate technical terms. In order to ensure operating safety, these activities may therefore only be carried out by qualified technical personnel or an instructed person under the direction and supervision of qualified personnel. Qualified personnel are those who can recognize possible hazards and institute the appropriate safety measures due to their professional training, knowledge, and experience, as well as their understanding of the relevant conditions pertaining to the work to be done. Qualified personnel must observe the rules relevant to the subject area. Also observe the generally applicable, legal or otherwise binding regulations of the European or national legislation and the rules for the prevention of accidents and for environmental protection applicable in your country. The data specified above only serve to describe the product. No statements concerning a certain condition or suitability for a certain application can be derived from our information. The given information does not release the user from the obligation of own judgement and verification. It must be remembered that our products are subject to a natural process of wear and aging.

©This document, as well as the data, specifications and other information set forth in it, are the exclusive property of Bosch Rexroth AG. Without their consent it may not be reproduced or given to third parties.

Spare parts list

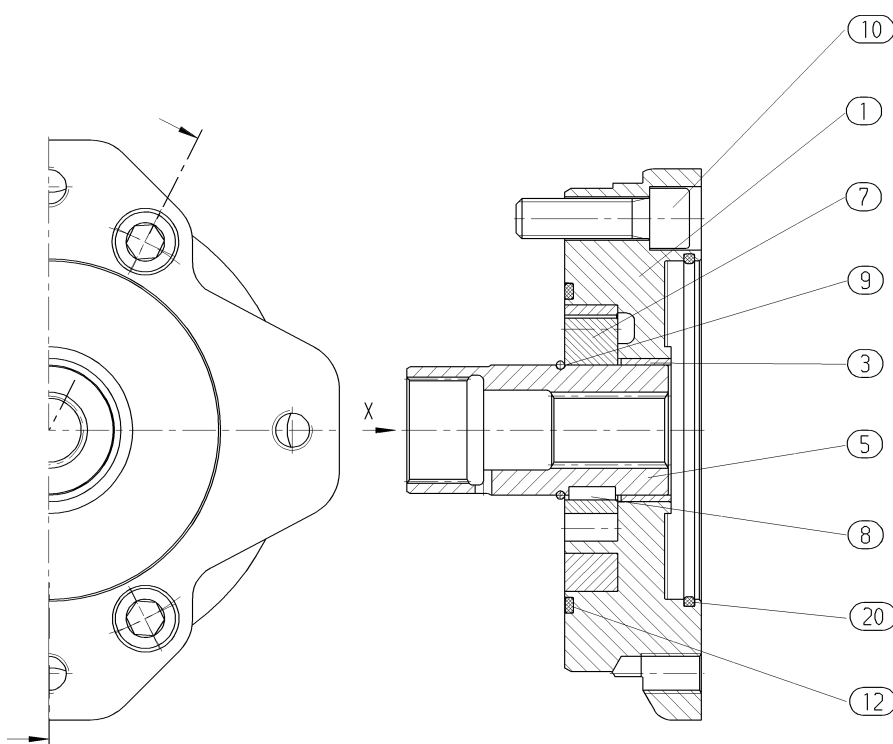
Material number: R902077740
 Drawing: R909723620
 Designation: INTERNAL GEAR PUMP

Bosch Rexroth AG
 Service Hydraulics
 Glockeraustrasse 4
 89275 Elchingen
 Germany
 +49 (0)7308/82-2126

Status of version: 10/2017

Date: 10.10.2017

Page: 25



L = Assembly group D = Sealing element

Security notice:

Assembly, commissioning and operation, disassembly, service (including maintenance and repair) require basic mechanical/electrical/hydraulic/pneumatic knowledge, as well as knowledge of the appropriate technical terms. In order to ensure operating safety, these activities may therefore only be carried out by qualified technical personnel or an instructed person under the direction and supervision of qualified personnel. Qualified personnel are those who can recognize possible hazards and institute the appropriate safety measures due to their professional training, knowledge, and experience, as well as their understanding of the relevant conditions pertaining to the work to be done. Qualified personnel must observe the rules relevant to the subject area. Also observe the generally applicable, legal or otherwise binding regulations of the European or national legislation and the rules for the prevention of accidents and for environmental protection applicable in your country. The data specified above only serve to describe the product. No statements concerning a certain condition or suitability for a certain application can be derived from our information. The given information does not release the user from the obligation of own judgement and verification. It must be remembered that our products are subject to a natural process of wear and aging.

©This document, as well as the data, specifications and other information set forth in it, are the exclusive property of Bosch Rexroth AG. Without their consent it may not be reproduced or given to third parties.

Spare parts list

Bosch Rexroth AG
 Service Hydraulics
 Glockeraustrasse 4
 89275 Elchingen
 Germany
 +49 (0)7308/82-2126

Material number: R902041020

Drawing:

Designation: FILTER

Status of version: 10/2017

Date: 10.10.2017

Page: 26

Pos.	Material number	Designation	Quantity	
2	R902202700	FILTER	1 UNIT	L
12	R909083038	SOCKET HEAD CAP SCREW	4 UNIT	
13	R909086517	O-RING	3 UNIT	D
98	R902002432	SEAL KIT	1 UNIT	

L = Assembly group D = Sealing element

Security notice:

Assembly, commissioning and operation, disassembly, service (including maintenance and repair) require basic mechanical/electrical/hydraulic/pneumatic knowledge, as well as knowledge of the appropriate technical terms. In order to ensure operating safety, these activities may therefore only be carried out by qualified technical personnel or an instructed person under the direction and supervision of qualified personnel. Qualified personnel are those who can recognize possible hazards and institute the appropriate safety measures due to their professional training, knowledge, and experience, as well as their understanding of the relevant conditions pertaining to the work to be done. Qualified personnel must observe the rules relevant to the subject area. Also observe the generally applicable, legal or otherwise binding regulations of the European or national legislation and the rules for the prevention of accidents and for environmental protection applicable in your country. The data specified above only serve to describe the product. No statements concerning a certain condition or suitability for a certain application can be derived from our information. The given information does not release the user from the obligation of own judgement and verification. It must be remembered that our products are subject to a natural process of wear and aging.

©This document, as well as the data, specifications and other information set forth in it, are the exclusive property of Bosch Rexroth AG. Without their consent it may not be reproduced or given to third parties.

Spare parts list

Bosch Rexroth AG
 Service Hydraulics
 Glockeraustrasse 4
 89275 Elchingen
 Germany
 +49 (0)7308/82-2126

Material number: R902202700
 Drawing: R902090787
 Designation: FILTER

Status of version: 10/2017

Date: 10.10.2017
 Page: 27

Pos.	Material number	Designation	Quantity	
1	R902202699	FILTER HEAD	1 UNIT	L
2	R902067322	FILTER HOUSING	1 UNIT	
3	R902603243	FILTER ELEMENT	1 UNIT	
7	R902601388	SPRING	1 UNIT	
10	R909085571	O-RING	1 UNIT	

L = Assembly group D = Sealing element

Security notice:

Assembly, commissioning and operation, disassembly, service (including maintenance and repair) require basic mechanical/electrical/hydraulic/pneumatic knowledge, as well as knowledge of the appropriate technical terms. In order to ensure operating safety, these activities may therefore only be carried out by qualified technical personnel or an instructed person under the direction and supervision of qualified personnel. Qualified personnel are those who can recognize possible hazards and institute the appropriate safety measures due to their professional training, knowledge, and experience, as well as their understanding of the relevant conditions pertaining to the work to be done. Qualified personnel must observe the rules relevant to the subject area. Also observe the generally applicable, legal or otherwise binding regulations of the European or national legislation and the rules for the prevention of accidents and for environmental protection applicable in your country. The data specified above only serve to describe the product. No statements concerning a certain condition or suitability for a certain application can be derived from our information. The given information does not release the user from the obligation of own judgement and verification. It must be remembered that our products are subject to a natural process of wear and aging.

©This document, as well as the data, specifications and other information set forth in it, are the exclusive property of Bosch Rexroth AG. Without their consent it may not be reproduced or given to third parties.

Spare parts list

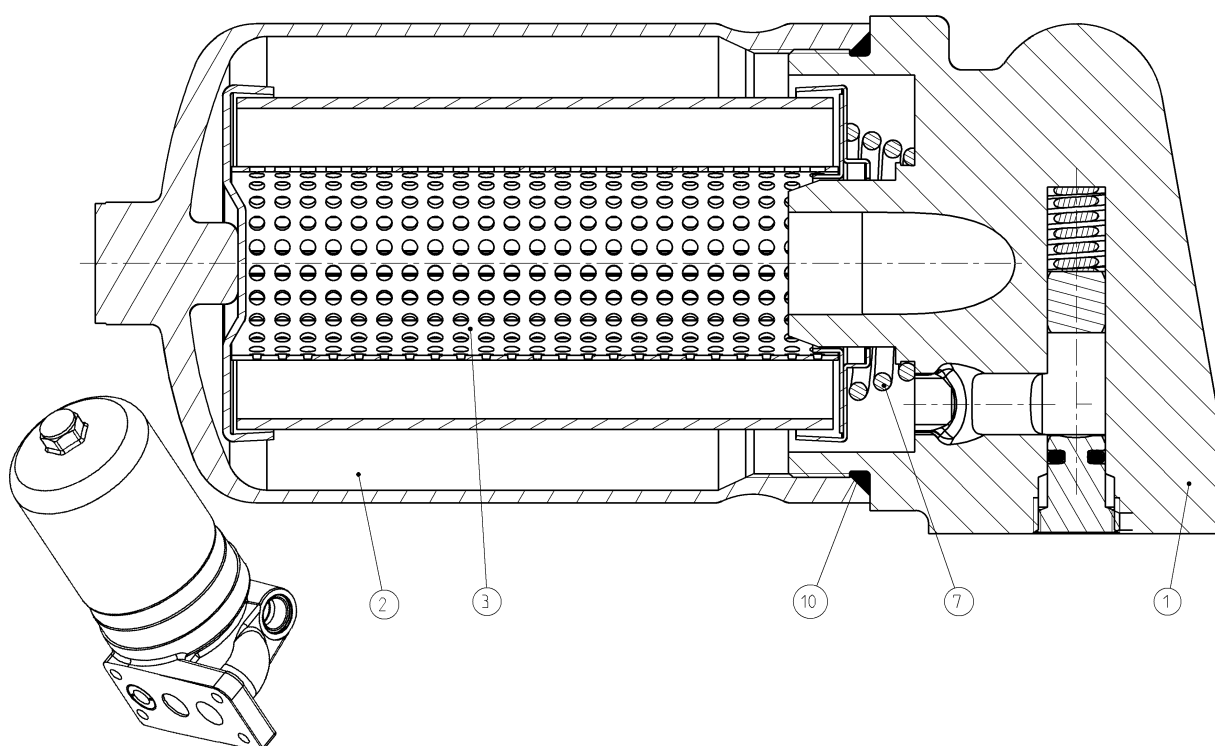
Material number: R902202700
 Drawing: R902090787
 Designation: FILTER

Bosch Rexroth AG
 Service Hydraulics
 Glockeraustrasse 4
 89275 Elchingen
 Germany
 +49 (0)7308/82-2126

Status of version: 10/2017

Date: 10.10.2017

Page: 28



L = Assembly group D = Sealing element

Security notice:

Assembly, commissioning and operation, disassembly, service (including maintenance and repair) require basic mechanical/electrical/hydraulic/pneumatic knowledge, as well as knowledge of the appropriate technical terms. In order to ensure operating safety, these activities may therefore only be carried out by qualified technical personnel or an instructed person under the direction and supervision of qualified personnel. Qualified personnel are those who can recognize possible hazards and institute the appropriate safety measures due to their professional training, knowledge, and experience, as well as their understanding of the relevant conditions pertaining to the work to be done. Qualified personnel must observe the rules relevant to the subject area. Also observe the generally applicable, legal or otherwise binding regulations of the European or national legislation and the rules for the prevention of accidents and for environmental protection applicable in your country. The data specified above only serve to describe the product. No statements concerning a certain condition or suitability for a certain application can be derived from our information. The given information does not release the user from the obligation of own judgement and verification. It must be remembered that our products are subject to a natural process of wear and aging.

©This document, as well as the data, specifications and other information set forth in it, are the exclusive property of Bosch Rexroth AG. Without their consent it may not be reproduced or given to third parties.

Spare parts list

Bosch Rexroth AG
Service Hydraulics
Glockeraustrasse 4
89275 Elchingen
Germany
+49 (0)7308/82-2126

Material number: R902202699
Drawing: R902090781
Designation: FILTER HEAD

Status of version: 10/2017

Date: 10.10.2017

Page: 29

Pos.	Material number	Designation	Quantity	
1	R902236872	FILTER HEAD	1 UNIT	
2	R902041127	COLD-START VALVE	1 UNIT	L
7		DOUBLE BREAK-OFF PLUG	1 UNIT	

L = Assembly group D = Sealing element

Security notice:

Assembly, commissioning and operation, disassembly, service (including maintenance and repair) require basic mechanical/electrical/hydraulic/pneumatic knowledge, as well as knowledge of the appropriate technical terms. In order to ensure operating safety, these activities may therefore only be carried out by qualified technical personnel or an instructed person under the direction and supervision of qualified personnel. Qualified personnel are those who can recognize possible hazards and institute the appropriate safety measures due to their professional training, knowledge, and experience, as well as their understanding of the relevant conditions pertaining to the work to be done. Qualified personnel must observe the rules relevant to the subject area. Also observe the generally applicable, legal or otherwise binding regulations of the European or national legislation and the rules for the prevention of accidents and for environmental protection applicable in your country. The data specified above only serve to describe the product. No statements concerning a certain condition or suitability for a certain application can be derived from our information. The given information does not release the user from the obligation of own judgement and verification. It must be remembered that our products are subject to a natural process of wear and aging.

©This document, as well as the data, specifications and other information set forth in it, are the exclusive property of Bosch Rexroth AG. Without their consent it may not be reproduced or given to third parties.

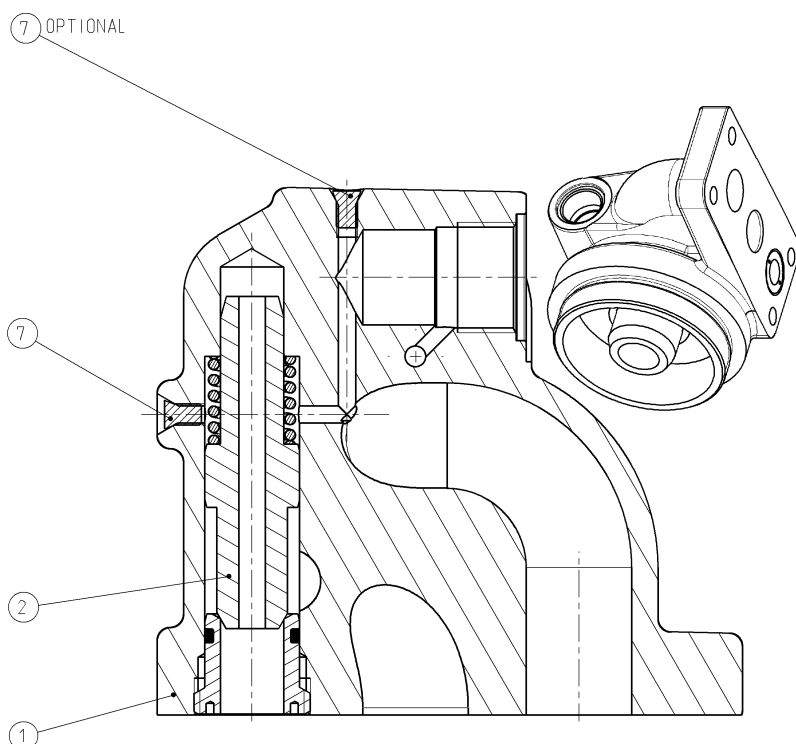
Spare parts list

Material number: R902202699
 Drawing: R902090781
 Designation: FILTER HEAD

Status of version: 10/2017

Date: 10.10.2017

Page: 30



L = Assembly group D = Sealing element

Security notice:

Assembly, commissioning and operation, disassembly, service (including maintenance and repair) require basic mechanical/electrical/hydraulic/pneumatic knowledge, as well as knowledge of the appropriate technical terms. In order to ensure operating safety, these activities may therefore only be carried out by qualified technical personnel or an instructed person under the direction and supervision of qualified personnel. Qualified personnel are those who can recognize possible hazards and institute the appropriate safety measures due to their professional training, knowledge, and experience, as well as their understanding of the relevant conditions pertaining to the work to be done. Qualified personnel must observe the rules relevant to the subject area. Also observe the generally applicable, legal or otherwise binding regulations of the European or national legislation and the rules for the prevention of accidents and for environmental protection applicable in your country. The data specified above only serve to describe the product. No statements concerning a certain condition or suitability for a certain application can be derived from our information. The given information does not release the user from the obligation of own judgement and verification. It must be remembered that our products are subject to a natural process of wear and aging.

©This document, as well as the data, specifications and other information set forth in it, are the exclusive property of Bosch Rexroth AG. Without their consent it may not be reproduced or given to third parties.

Spare parts list

Bosch Rexroth AG
Service Hydraulics
Glockeraustrasse 4
89275 Elchingen
Germany
+49 (0)7308/82-2126

Material number: R902041127
Drawing: RA64308824
Designation: COLD-START VALVE

Status of version: 10/2017

Date: 10.10.2017

Page: 31

Pos.	Material number	Designation	Quantity
2	R902041296	VALVE SPOOL	1 UNIT
3	R909650231	VALVE SEAT	1 UNIT
4		O-RING	1 UNIT
5	R909651439	COMPRESSION SPRING	1 UNIT

L = Assembly group D = Sealing element

Security notice:

Assembly, commissioning and operation, disassembly, service (including maintenance and repair) require basic mechanical/electrical/hydraulic/pneumatic knowledge, as well as knowledge of the appropriate technical terms. In order to ensure operating safety, these activities may therefore only be carried out by qualified technical personnel or an instructed person under the direction and supervision of qualified personnel. Qualified personnel are those who can recognize possible hazards and institute the appropriate safety measures due to their professional training, knowledge, and experience, as well as their understanding of the relevant conditions pertaining to the work to be done. Qualified personnel must observe the rules relevant to the subject area. Also observe the generally applicable, legal or otherwise binding regulations of the European or national legislation and the rules for the prevention of accidents and for environmental protection applicable in your country. The data specified above only serve to describe the product. No statements concerning a certain condition or suitability for a certain application can be derived from our information. The given information does not release the user from the obligation of own judgement and verification. It must be remembered that our products are subject to a natural process of wear and aging.

©This document, as well as the data, specifications and other information set forth in it, are the exclusive property of Bosch Rexroth AG. Without their consent it may not be reproduced or given to third parties.

Spare parts list

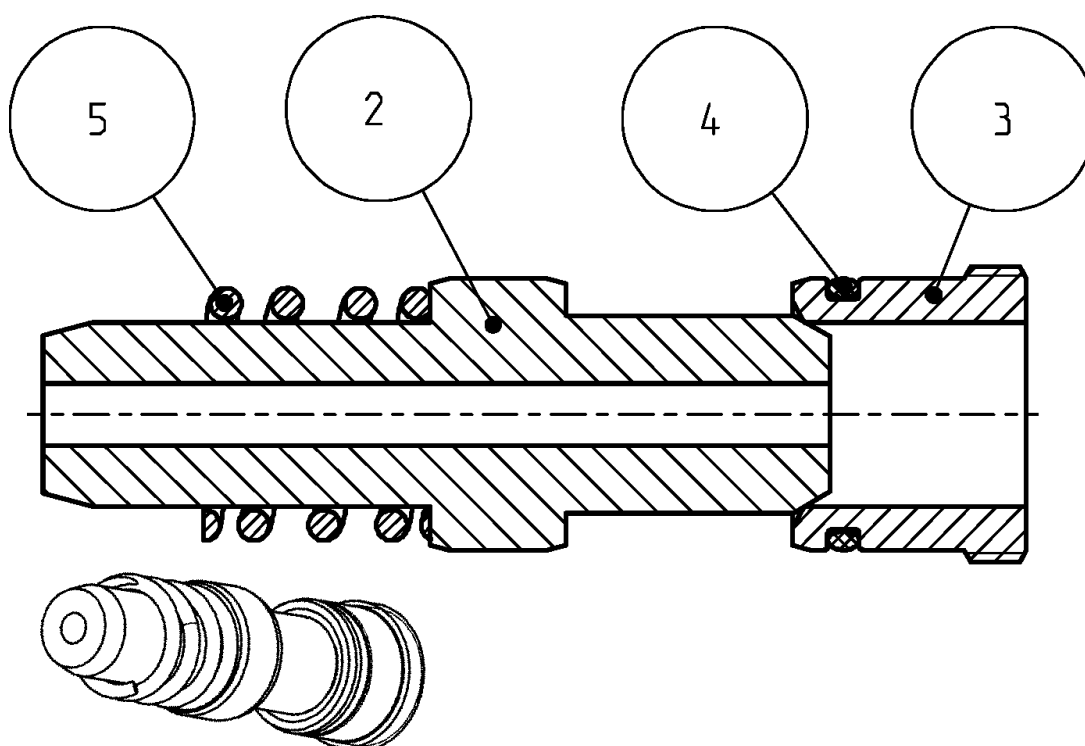
Material number: R902041127
Drawing: RA64308824
Designation: COLD-START VALVE

Bosch Rexroth AG
Service Hydraulics
Glockeraustrasse 4
89275 Elchingen
Germany
+49 (0)7308/82-2126

Status of version: 10/2017

Date: 10.10.2017

Page: 32



L = Assembly group D = Sealing element

Security notice:

Assembly, commissioning and operation, disassembly, service (including maintenance and repair) require basic mechanical/electrical/hydraulic/pneumatic knowledge, as well as knowledge of the appropriate technical terms. In order to ensure operating safety, these activities may therefore only be carried out by qualified technical personnel or an instructed person under the direction and supervision of qualified personnel. Qualified personnel are those who can recognize possible hazards and institute the appropriate safety measures due to their professional training, knowledge, and experience, as well as their understanding of the relevant conditions pertaining to the work to be done. Qualified personnel must observe the rules relevant to the subject area. Also observe the generally applicable, legal or otherwise binding regulations of the European or national legislation and the rules for the prevention of accidents and for environmental protection applicable in your country. The data specified above only serve to describe the product. No statements concerning a certain condition or suitability for a certain application can be derived from our information. The given information does not release the user from the obligation of own judgement and verification. It must be remembered that our products are subject to a natural process of wear and aging.

©This document, as well as the data, specifications and other information set forth in it, are the exclusive property of Bosch Rexroth AG. Without their consent it may not be reproduced or given to third parties.

Bosch Rexroth AG
Service Hydraulics
Glockeraustrasse 4
89275 Elchingen
Germany
+49 (0)7308/82-2126

Spare parts list

Material number: R909429211
Drawing: R909731918
Designation: COVER

Status of version: 10/2017

Date: 10.10.2017

Page: 33

Pos.	Material number	Designation	Quantity	
1	R909431547	COVER	1 UNIT	
5	R909083019	SOCKET HEAD CAP SCREW	4 UNIT	
6	R902600641	O-RING	1 UNIT	D
7	R909086332	O-RING	2 UNIT	D
8	R909086380	O-RING	1 UNIT	D

L = Assembly group D = Sealing element

Security notice:

Assembly, commissioning and operation, disassembly, service (including maintenance and repair) require basic mechanical/electrical/hydraulic/pneumatic knowledge, as well as knowledge of the appropriate technical terms. In order to ensure operating safety, these activities may therefore only be carried out by qualified technical personnel or an instructed person under the direction and supervision of qualified personnel. Qualified personnel are those who can recognize possible hazards and institute the appropriate safety measures due to their professional training, knowledge, and experience, as well as their understanding of the relevant conditions pertaining to the work to be done. Qualified personnel must observe the rules relevant to the subject area. Also observe the generally applicable, legal or otherwise binding regulations of the European or national legislation and the rules for the prevention of accidents and for environmental protection applicable in your country. The data specified above only serve to describe the product. No statements concerning a certain condition or suitability for a certain application can be derived from our information. The given information does not release the user from the obligation of own judgement and verification. It must be remembered that our products are subject to a natural process of wear and aging.

©This document, as well as the data, specifications and other information set forth in it, are the exclusive property of Bosch Rexroth AG. Without their consent it may not be reproduced or given to third parties.

Spare parts list

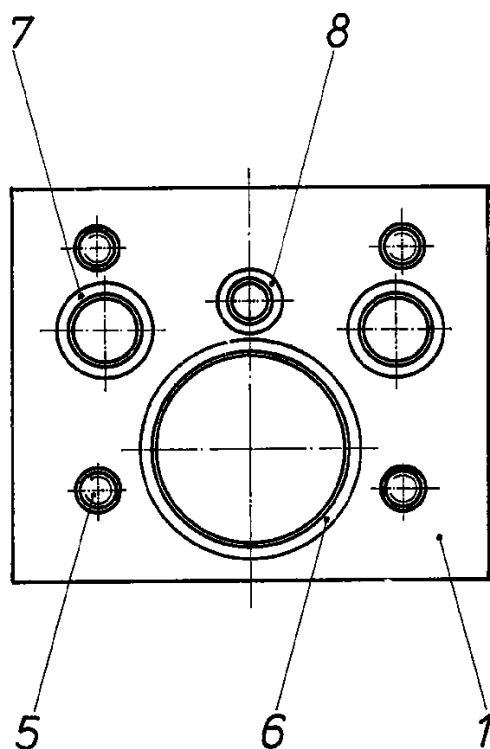
Bosch Rexroth AG
Service Hydraulics
Glockeraustrasse 4
89275 Elchingen
Germany
+49 (0)7308/82-2126

Material number: R909429211
Drawing: R909731918
Designation: COVER

Status of version: 10/2017

Date: 10.10.2017

Page: 34



L = Assembly group D = Sealing element

Security notice:

Assembly, commissioning and operation, disassembly, service (including maintenance and repair) require basic mechanical/electrical/hydraulic/pneumatic knowledge, as well as knowledge of the appropriate technical terms. In order to ensure operating safety, these activities may therefore only be carried out by qualified technical personnel or an instructed person under the direction and supervision of qualified personnel. Qualified personnel are those who can recognize possible hazards and institute the appropriate safety measures due to their professional training, knowledge, and experience, as well as their understanding of the relevant conditions pertaining to the work to be done. Qualified personnel must observe the rules relevant to the subject area. Also observe the generally applicable, legal or otherwise binding regulations of the European or national legislation and the rules for the prevention of accidents and for environmental protection applicable in your country. The data specified above only serve to describe the product. No statements concerning a certain condition or suitability for a certain application can be derived from our information. The given information does not release the user from the obligation of own judgement and verification. It must be remembered that our products are subject to a natural process of wear and aging.

©This document, as well as the data, specifications and other information set forth in it, are the exclusive property of Bosch Rexroth AG. Without their consent it may not be reproduced or given to third parties.