

## M-Mini Pump

- Max. vacuum level : **-25.1 inHg** (-85 kPa)
- Max. flow rate : **7.77 scfm**(220 NI/min)
- Supply air pressure : **58~87 psi, Max 101.5 psi**  
(4~6bar, max 7bar)
- Supply air type : Dry compressed air
- Working temperature : -4 °F ~ 176 °F
- Noise level : 50~68 dBA



## Main Advantages

These M-Mini range pumps are compact and low weight design. Although they are the smallest of the VTM range they still use a Multi Stage Ejector principal for generating the vacuum, these pumps provide large capacity vacuum flow combined with high grade plastic, making the pumps resilient to most hazardous vapors. Because the pumps are too small they can be mounted locally to the vacuum requirement, even directly onto the back of suction cups if required. Different vacuum port sizes are available with options for an integrally mounted exhaust or a 3/8" detachable versions. The pumps can be specified with a vacuum switch or a quick release module attached directly onto the pump. The pump can have seal materials options of Viton® & EPDM for corrosive and acidic applications.

## Order No.

### VTM5 - NB A3 CL - S1 - V



- ① **Model** – Capacity equivalent to electricity motor pump size
- **VTM5** – 0.05KW
  - VTM10 – 0.10KW
  - VTM20 – 0.20KW
  - VTM30 – 0.30KW

- ③ **Air supply control valve**
- A1 – AC110V
  - A2 – AC220V
  - **A3** – DC24V

- ④ **Solenoid Terminal**

DN – DIN type without lead wire

DL – DIN type with lamp without lead wire

- **CL\*** – Connector type with lamp & 0.3m lead wire

\* Available only with DC24V

- ② **Air Supply, Vacuum, Exhaust Port**

	Air	Vacuum	Exhaust
A	M5-Ø6	G1/8"	Internal silencer
NA	M5-Ø6	NPSF1/8"	Internal silencer
B	G1/8"	G3/8"	Internal silencer
BA	G1/8"	G3/8"	Internal silencer, connection plate-AL
• NB	NPSF1/8"	NPSF 3/8"	Internal silencer
NBA	NPSF1/8"	NPSF 3/8"	Internal silencer, connection plate-AL
C	G1/8"	G3/8"	External silencer
NC	NPSF1/8"	NPSF 3/8"	External silencer

※ Standard pump model

VTM5 – A, NA, B, BA, NB, NBA, C, NC  
VTM10 – A, NA, B, BA, NB, NBA, C, NC

VTM20 – B, BA, NB, NBA, C, NC  
VTM30 – B, BA, NB, NBA, C, NC

- ⑤ **Vacuum switch / Quick release module**

- **S1** – Mechanical vacuum switch

Q1 – Quick release module : 12cm<sup>3</sup>

Q2 – Quick release module : 30cm<sup>3</sup>

※ **Remark** : Air supply control valve available for vacuum pump B, BA, NB, NBA, C, NC type only.

- ⑥ **Sealing**

No mark – Standard (NBR)

- **V** – Viton®
- E** – EPDM

## Characteristics

Model	max. vacuum (-inHg)	Max. vacuum flow (scfm)	air consumption (scfm)	noise level (dBA)	weight (oz.)	min hose inner Ø (within 6.5ft.)		
						air supply	vacuum	exhaust
VTM5	25.1	1,31	0,53-0,75	50 - 65	-	>2	>5	>8
VTM10		2,62	1,06-1,49	55 - 68	-	>2	>8	>10
VTM20		5,27	2,12-2,96	60 - 68	-	>4	>10	>12
VTM30		7,77	3,18-4,45	60 - 68	-	>6	>12	>15

\* Remarks : type weight = VTM5-A(B,BA,NBA,C,NC) : 0.92oz.(1.06, 1.97, 1.06, 1.48, 1.48)  
 VTM10-A(B,BA,NBA,C,NC) : 0.99oz.(1.13, 2.04, 1.13, 2.04, 1.55, 1.55)  
 VTM20-B(BA,NB,NBA,C,NC) : 1.45oz.(2.78, 1.45, 2.78, 1.87, 1.87)  
 VTM30-B(BA,NB,NBA,C,NC) : 2.17oz.(3.45, 2.17, 3.45, 2.54, 2.54)

## Vacuum flow in (scfm) at different Vacuum level (-inHg)

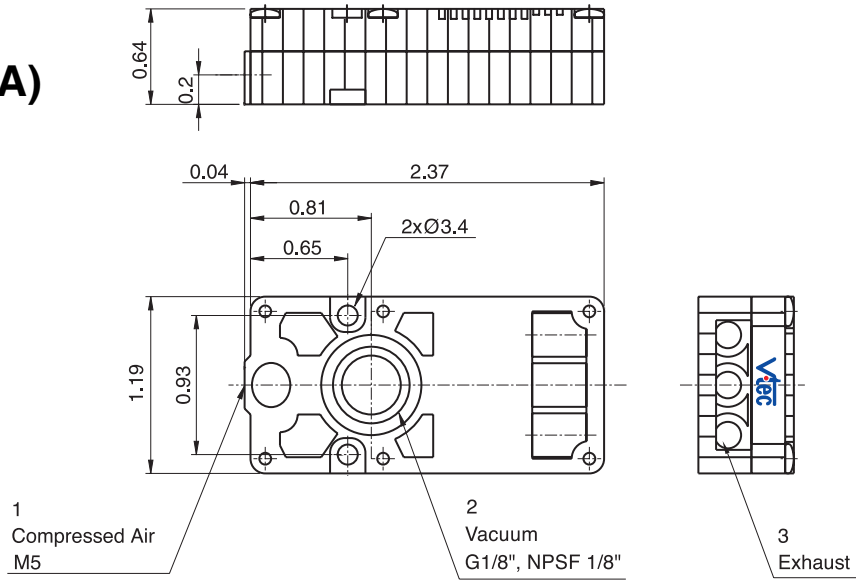
Model \ -inHg	0	2.95	5.9	8.85	11.81	14.76	17.71	20.67	23.62
VTM5	1,31	0,92	0,57	0,50	0,36	0,29	0,22	0,09	0,03
VTM10	2,62	1,84	1,10	0,99	0,71	0,57	0,43	0,17	0,05
VTM20	5,27	3,5	2,19	1,91	1,42	1,14	0,78	0,38	0,10
VTM30	7,77	5,2	3,25	2,58	2,12	1,66	1,14	0,57	0,15

## Time in seconds to evacuate to vacuum level (sec/l)

Model \ -inHg	2.95	5.9	8.85	11.81	14.76	17.71	20.67	23.62
VTM5	0,218	0,556	1	1,576	2,356	3,44	5,27	10,216
VTM10	0,109	0,278	0,5	0,788	1,178	1,72	2,635	5,158
VTM20	0,054	0,139	0,25	0,394	0,589	0,86	1,317	2,579
VTM30	0,041	0,104	0,186	0,295	0,441	0,647	0,898	1,935

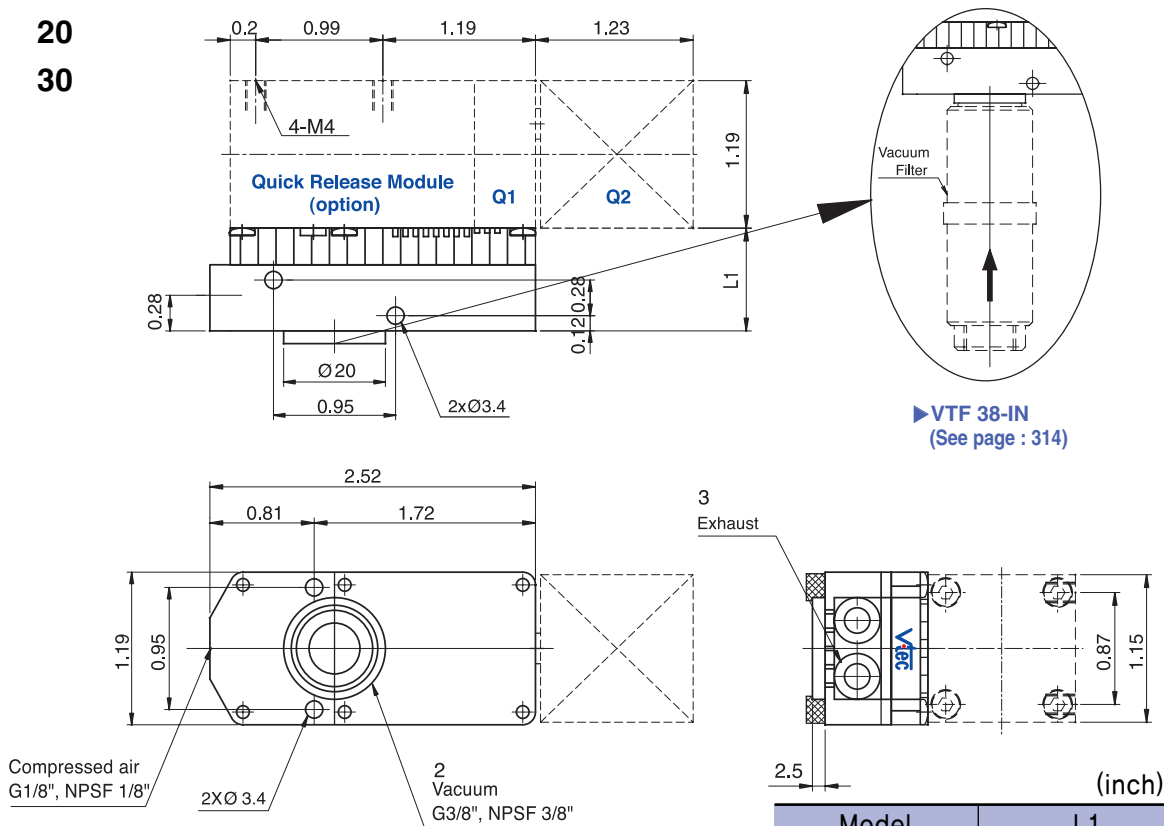
**Dimensional Information**

**5  
VTM(X) (10)-A(NA)**



**5  
VTM(X) (10)-B (BA, NB)**

20  
30



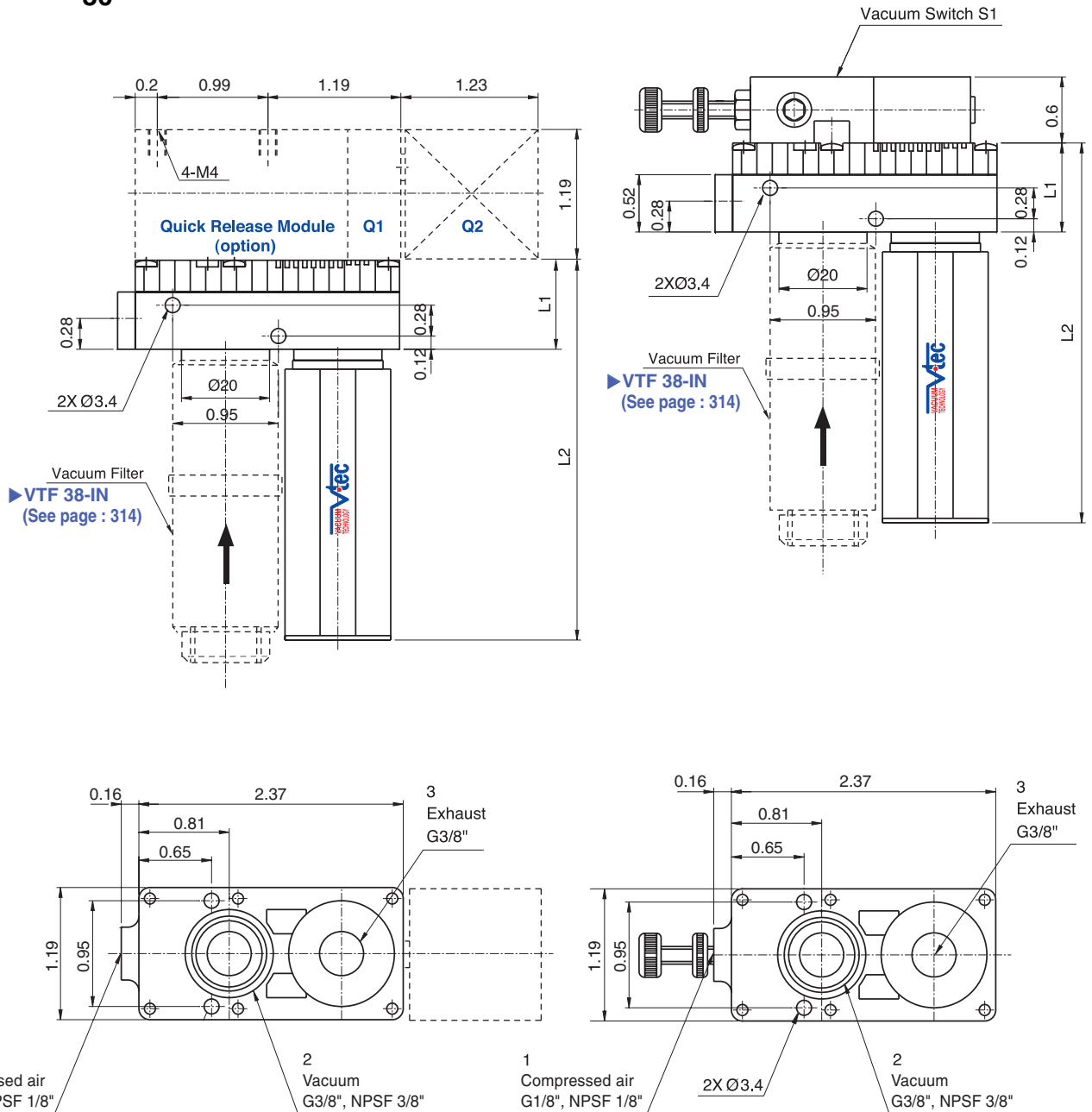
[ Measure unit : inch ]

Model	L1
VTM(X)5	0,8
VTM(X)10	0,8
VTM(X)20	1,08
VTM(X)30	1,37

## Dimensional Information

**5**  
**VTM(X) (10)-C (NC)**  
**20**  
**30**

**with switch S1**



**VACUUM PUMPS**

[ Measure unit : inch ]

	(inch)	
Model	L1	L2
VTM(X)5	0.8	3.4
VTM(X)10	0.8	3.4
VTM(X)20	1.08	3.68
VTM(X)30	1.37	3.97