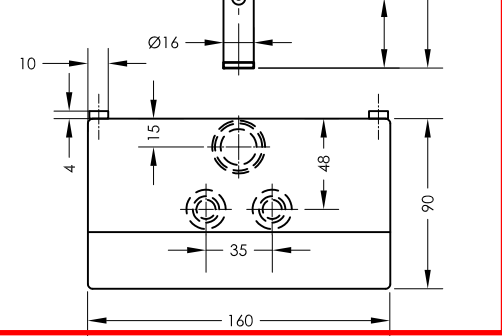
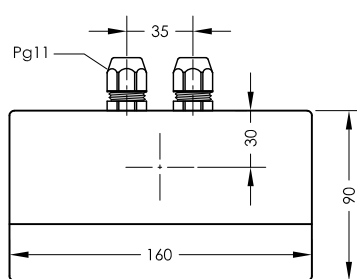
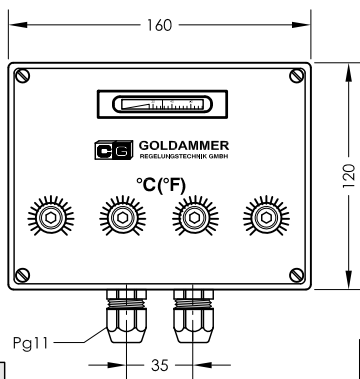
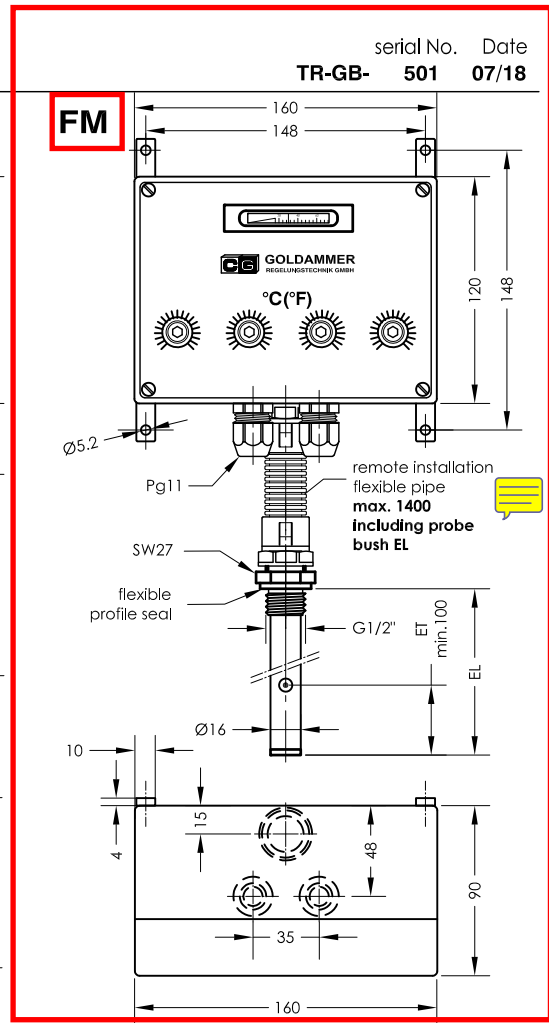
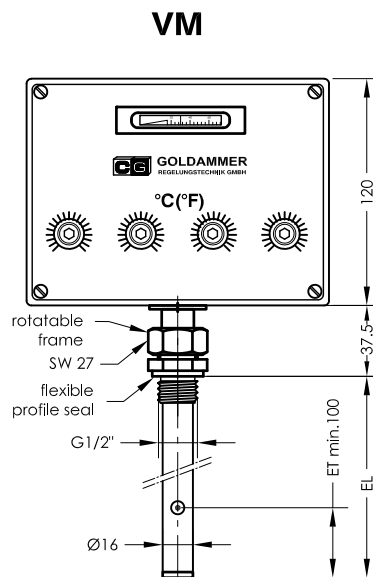
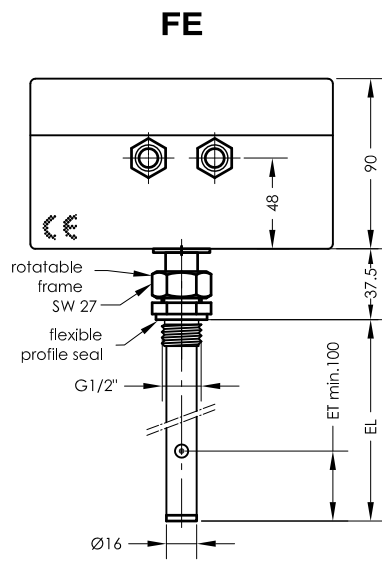


# TR 15 - K3 / K4

## Temperature - Capillary tube - Regulator

serial No. Date

TR-GB- 501 07/18



### Specimen order

TR 15 - K3 - A - FM - 400 - MS - I - T90Ö

**Pin assignment**

**Terminal diagram**

**Order code**

PE 1 2 3 4 5 6 7 8 9 10 11 12  
K1 K2 K3 K4

PE 1 2 3 4 5 6 7 8 9 10 11 12  
K1 K2 K3 T

Function switching temperature achieved

ET= minimum immersion depth in the medium for the probe to archive an exact measurement.

Temperature

K3= 3 contacts  
K4= 4 contacts

A= Indication of actual temperature  
O= without display

FE= permanent installation  
VM= vertical installation  
FM= remote installation

MS  
VA

I = 0 to 120°C  
II = 32 to 248°F  
III = -10 to 80°C

Pt100  
Thermal contact  
T10Ö  
T40Ö  
T50Ö  
T60Ö (S) (Ö  
T70Ö (S) preferred)  
T80Ö (S)  
T90Ö  
(Indicate  
T1... - T2...  
for two thermal  
contacts)

EL= length of  
Immersion tube  
(mm)

100 (EL100= max.  
200 3 functions)  
300  
400  
500  
800  
900

**Technical data**

The TR 15 - K3 / K4 temperature capillary tube regulator works on the principle of liquid extension

A change of temperature in the probe causes a change in volume. This force operates a potential free changeover contact through a membrane. The desired switching temperatures can be set separate. The range lies between 0 and 120 °C, (32 to 248°F), (-10 to 80°C). On request the devices will be supplied with a display of actual temperature. The probes are located in an immersion tube. The cable connections are made with connection terminal strips of 1,5 mm<sup>2</sup>. The device must only be installed by specialists.

**Fixed contact as safety switching point**

**Description**

**Technical data**

Switch cabinet ABS with transparent cover  
Protection class IP 65  
electric. connection Cable thread Pg11  
+ series terminals 1,5mm<sup>2</sup>,  
tightening torque SEV 0,5Nm max.  
Brass , Stainless steel

Probe bush  
Operating pressure 16 bar max.  
Ambient temperature -40 to 80°C  
Temperature display 0 to 120°C ±3°C  
Temperature relay Changeover cont. max 250V~, 10A  
min. 5 mA

Temperature range 0 to 120°C, (32 to 248°F)  
(-10 to 80°C EL. max.500mm)

Switching accuracy ±5k  
Switching difference 5k±1K  
Thermal contact Hysteresis 1K I max. 2A  
Calibration ± 3°C



**GOLDAMMER**  
REGELUNGSTECHNIK GMBH

SCHÖLLERSHEIDER STR. 15 PHONE (49) 2104/12093  
P.O.BOX 10 02 17 FAX (49) 2104/12028  
D-40802 METTMANN www.Goldammer-Regelungstechnik.com