



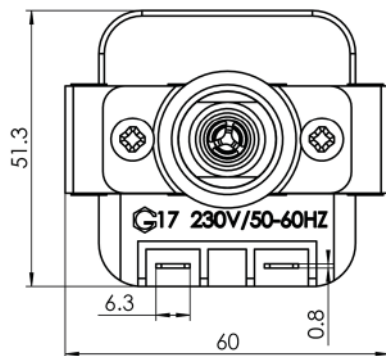
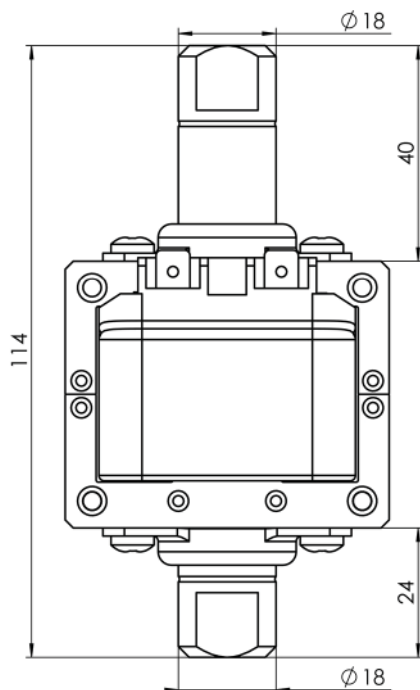
Electromagnetic pump

ET 200

Technical data

GOTEK

EN



Typical applications

Domestic & industrial appliances
Household appliances
Cleaning equipment
Printing systems
Lubrication
Laboratory & medical devices

Nominal rated data

| | |
|-----------------------|---|
| Max. pressure | 20-22 [bar] |
| Max. flow rate | 20 [l/h] |
| Max. suction height | 0.3 [m] |
| Viscosity range | 1...600 [mm ² /s] |
| Filter | Mesh 100 |
| Tension | 230~ (110, 24, 12) [V] |
| Frequency | 50, (60) [Hz] |
| Electrical connection | 2 x 6.3 x 0.8 [mm] |
| Power | 25 [W] |
| Weight | ~440 [g] |
| Temperature | 1...50 [°C] |
| Insulation | Class F-100% ED / 20 [°C] (Class H on request) Class II |

Approvals CE in conf. with EN603351 (ED.4),
CB cert. Nr. CH4364,
(UL on request)

EMC in conformity with 2004/108/CE
LVD in conformity with 2006/95/CE
RoHS in conformity with 2002/95/CE



Electromagnetic pump

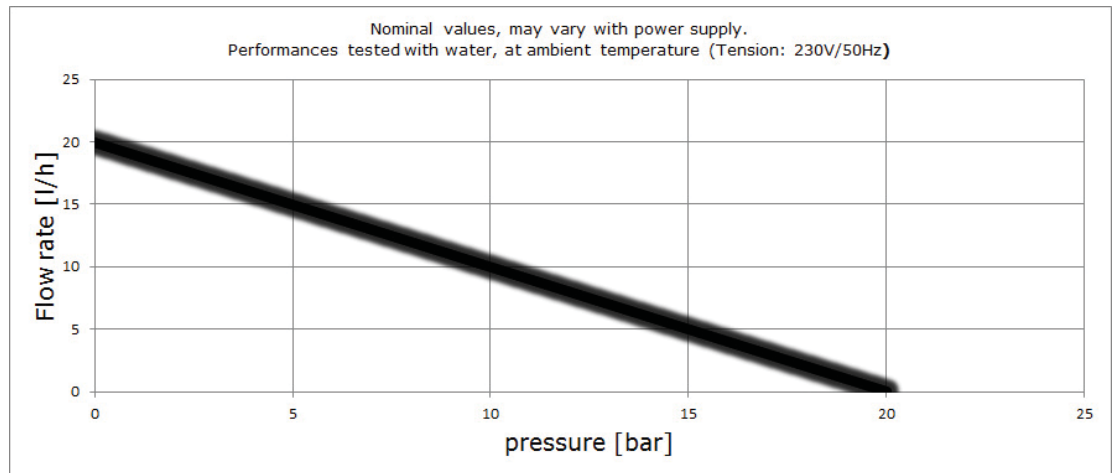
ET 200

Technical data

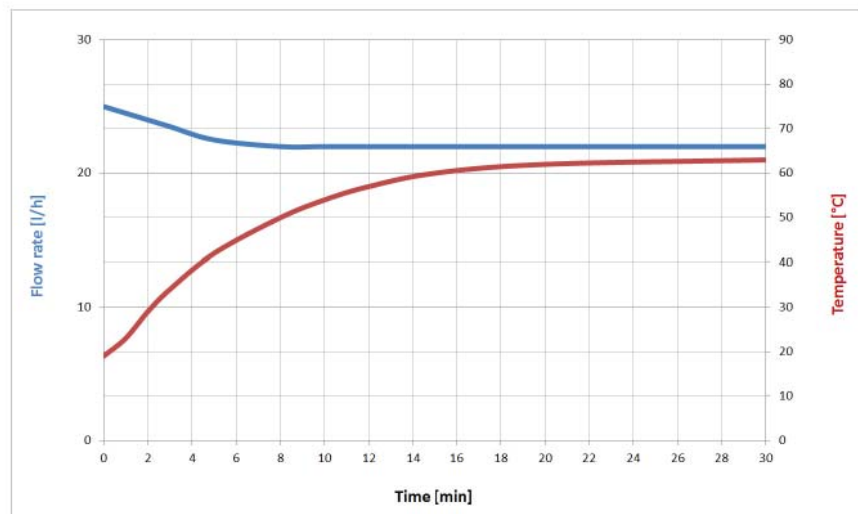


EN

Performances



Heating & flow



Materials in contact with the liquid

Connectors: Stainless steel

Piston: 1.4057 + Cr

Springs: 1.4401

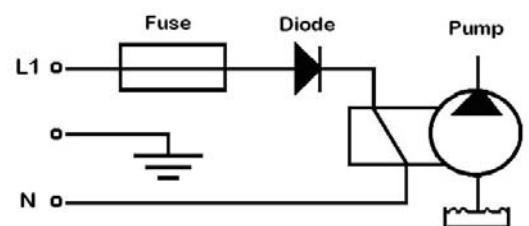
Valves tips: PPS

O-ring: NBR

Large choice of materials & options



Electric wiring diagram



Fuse and diode are necessary

Please refer to instruction manual for more installation details.

For more information, visit our website :

www.gotecpumps.com

