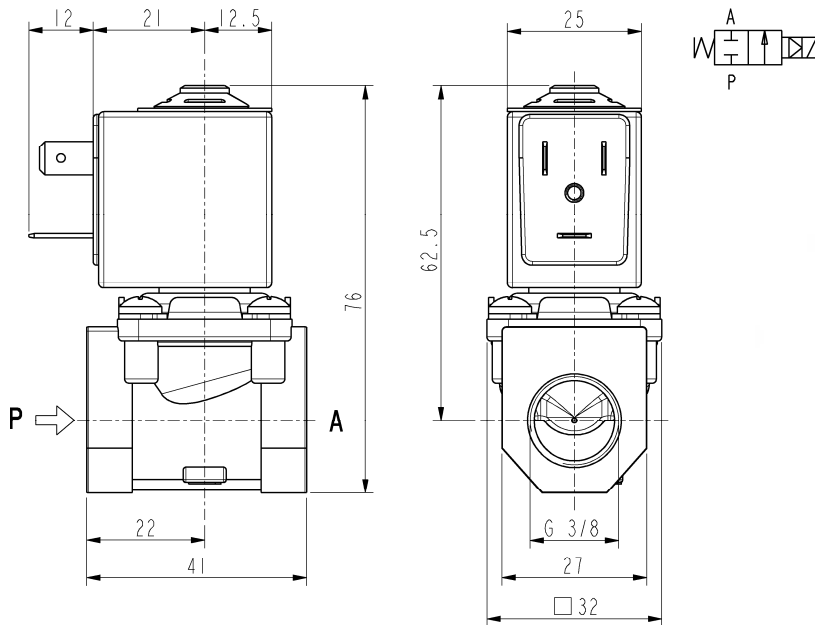




SOLENOID VALVE
2/2 - NC (Normally closed)
Pilot operated
G3/8

L140-D11



► GENERAL FEATURES

Diaphragm valve, pilot operated, having full orifice.
 Suitable to shut off liquid and gaseous fluids (verify the compatibility of fluid with materials in contact).

► TECHNICAL FEATURES

Maximum allowable pressure (PS) 16 bar
 Opening time ~30ms
 Closing time ~50ms
 Fluid temperature -10°C +100°C
 Max viscosity 5°E (~37 cStokes or mm²/s)

► MATERIALS IN CONTACT WITH FLUID

Body Brass
 Sealing EPDM
 Internal components Stainless steel and POM (acetel copolymer)
 Seat Brass
 Guide assembly Stainless steel
 Shading ring Copper

► COIL

Continuous duty ED 100%
 Encapsulation material PET (polyethylene terephthalate) fiberglass reinforced
 Insulation class F (155 °C) on request class H (180°C) - UL
 Ambient temperature -10 C° +60 °C
 Electric connenctions DIN 46340- 3 poles connectors
 Protection degree IP 65 (EN 60529) with plug connector
 Voltages AC 24V/50-60Hz - 110V/50-60Hz (120V/60Hz)
 230V/50-60Hz (+10% -15%)
 (Other voltages and frequencies on request).

CUSTOMIZED VERSION

Port size ISO 228	Ø Int. (mm)	Differential pressure (bar)				Kv (m ³ /h)	Series and type		Power absorption			Sealings	Notes	Weight (kg)	
		Δp min	Δp max		Valve		Coil	AC (VA)		c.c. (W)					
			Gas					Liquids			Inrush				Holding
			c.a.	c.c.				c.a.	c.c.						
G 3/8	10	0,35	10	-	10	-	1,5	L140D11	Z610A	16	10	-	EPDM	1 - 2	0,285

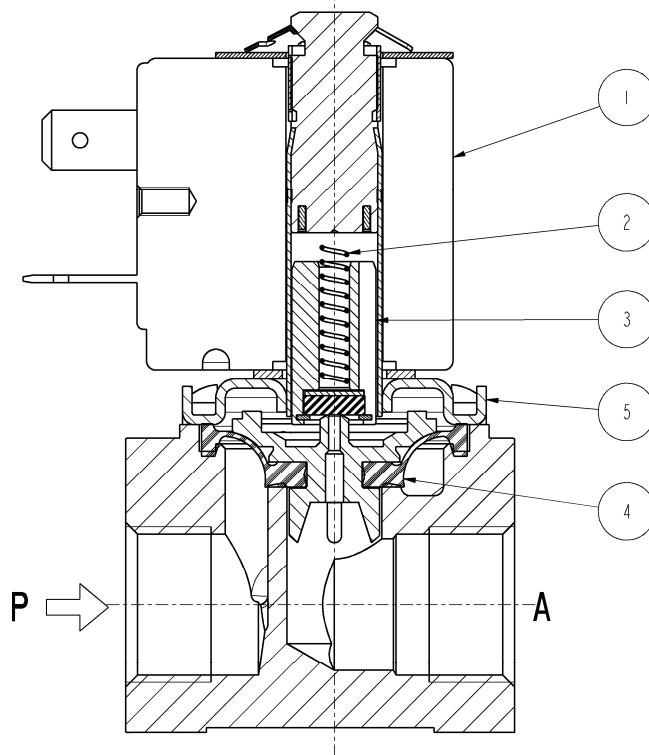
► NOTES

- Sealings : EPDM = Ethylene-propylene elastomer
- Continuous changes of pressure may reduce the life of the diaphragm.
- 1 - The Δp max value is valid only for 50Hz; for operation at 60Hz, Δp max is 5 bar.
- 2 - On request coil Z614A , class "H" (+180°C), ambient temperature +80°C, UL approved

L140-D11

CUSTOMIZED VERSION

► SPARE PARTS



Kit description

Core kit

Kit P.N.

G2851704

Consisting of:

Core pos. 3
Core return spring pos. 2

Core return spring kit

G2733901

N.10 Core return springs pos. 2

Diaphragm assembly

2706507R

Diaphragm assembly pos. 4

Guide pipe assembly

2733801R

Guide pipe assembly pos. 5

Coil

Z610A

Coil pos. 1

► MOUNTING

Solenoid valve can be mounted in any position; vertical with coil upwards preferred.

THE VALIDITY OF REPORTED DATA IS REFERRED TO THE DATE OF ISSUE. POSSIBLE UPDATING ARE AVAILABLE ON REQUEST.