

**NOTICE**  
 THIS DRAWING IS THE PROPERTY OF QUALITROL CORPORATION AND IS LOANED ONLY ON THE CONDITION THAT IT WILL BE USED TO FACILITATE THE PURPOSE FOR WHICH INTENDED AND NOT BE REPRODUCED, COPIED OR OTHERWISE DISPOSED OF, AND IS NOT TO BE USED IN WHOLE OR PART FOR FURNISHING INFORMATION RELATIVE TO THE MAKING OF DRAWINGS, PARTS APPARATUS OR PARTS THEREOF, EXCEPT BY WRITTEN ORDER FROM QUALITROL CORPORATION.

MODEL NO.

103-044

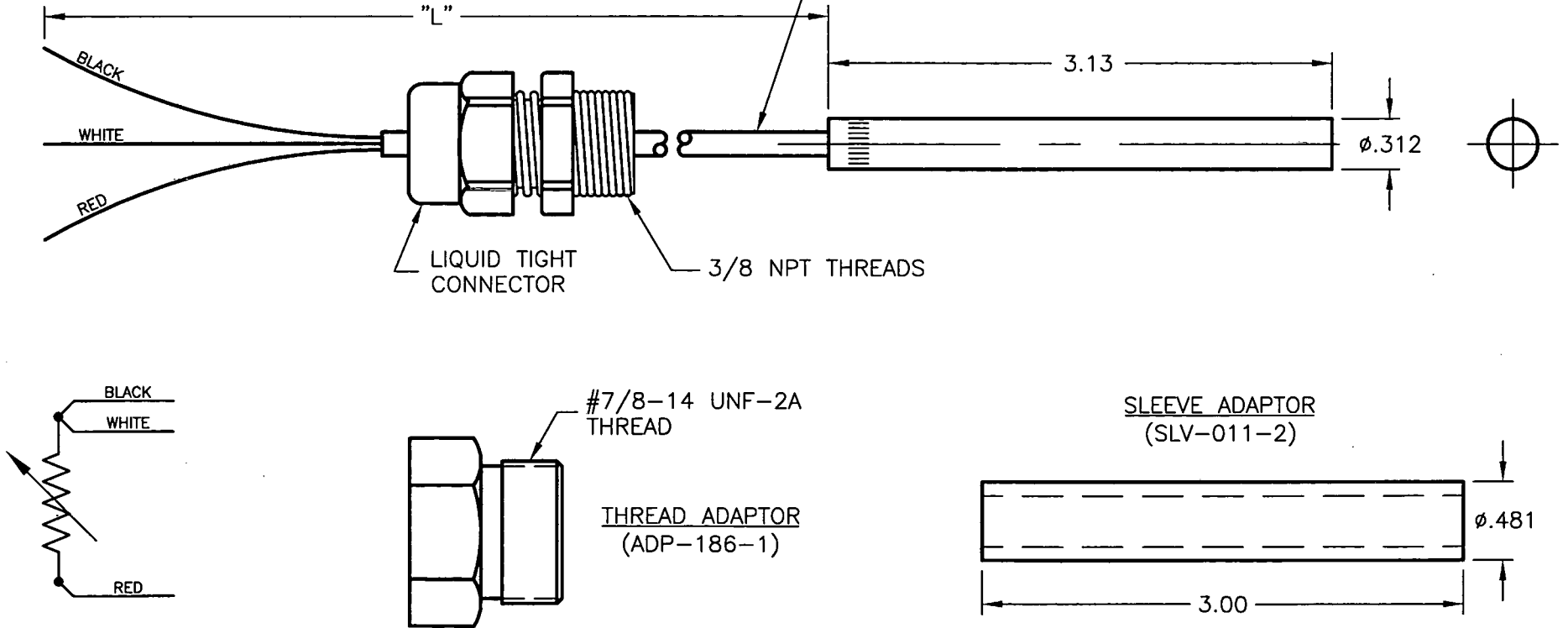
ALL DIMENSIONS ARE NOMINAL UNLESS OTHERWISE NOTED.

RTD: 100.00 OHMS AT 0°C  
 EUROPEAN "E" CURVE: .00385 ohms/ohms/°C  
 TEMPERATURE RANGE: -55°C TO +200°C  
 RESISTANCE TOLERANCE:  $\leq \pm .20\%$  @ 0°C  
 RESPONSE TIME IN SECONDS: (MOVING AIR V=1m/s)  
 @ 50% = 15 sec.  
 @ 90% = 50 sec.

INSULATION TEST: 1500 VAC 60Hz TO BRASS BODY FOR 60 SECONDS.

MODEL NO.	CABLE LENGTH "L"
103-044-01	144.00"
103-044-02	192.00"
103-044-03	240.00"
103-044-04	300.00"
103-044-05	360.00"
103-044-06	420.00"
103-044-07	480.00"
103-044-08	540.00"
103-044-09	600.00"
103-044-10	660.00"
103-044-11	720.00"

#22 AWG, 3 CONDUCTOR SHEILD SILVER PLATED COPPER WIRE  
 PTFE JACKET -55° TO 200°C  
 600 V



LET	DATE	ALTERATION	C.N.
-	5-20-03	ADDED PTS.-04 THRU -11	23849
-	3-8-01	RELEASED	21970

**QUALITROL**  
 CORPORATION  
 DIMENSIONS AND TOLERANCES IN ACCORDANCE WITH ASME Y14.5M-1994

PH. (585) 586-1515  
 FAX (585) 377-0220  
 1385 FAIRPORT ROAD  
 FAIRPORT, NY 14450  
 FORM 0-473 REV.D 10/22/02.

TITLE: PLATINUM COIL ASSY.  
 MODEL NO: 103-044