

## MAIN FEATURES

Sturdy, incremental encoder series recommended in feedback control systems on medium size AC servomotor.

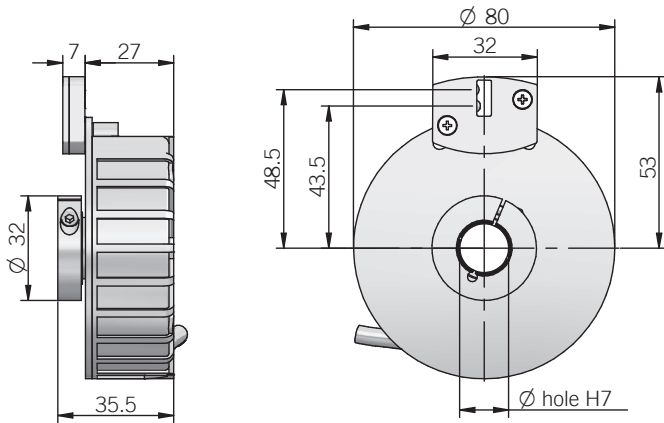
- Universal electronic
- Adaptable to the diameter of the motor shaft
- Extremely versatile
- Compact size
- 3 channel (A/B/Z), up to 2,048 ppr
- Through hollow shaft up to 15 mm with collar clamping



## ORDERING CODE

|  |                             |  |   |   |  |   |   |   |  |   |   |
|--|-----------------------------|--|---|---|--|---|---|---|--|---|---|
| <b>EH 80 PU 1024 Z 5/30 L 15 X 3 PR . XXX</b>  |                             |  |   |   |  |   |   |   |  |   |   |
| <b>SERIES</b><br>incremental encoder <b>EH</b> | <b>SIZE</b><br>mm <b>80</b> | <b>TYPE</b><br>through hollow shaft with collar clamping <b>PU</b> | <b>RESOLUTION</b><br>ppr <b>1000 / 1024 / 2000 / 2048</b><br><i>N.B.: please directly contact our offices for pulses availability</i> | <b>ZERO PULSE</b><br>with zero pulse <b>Z</b> | <b>POWER SUPPLY</b><br>5 ... 30 V DC <b>5/30</b> | <b>ELECTRONIC INTERFACE</b><br>universal line driver TTL/HTL <b>L</b> | <b>VARIANT</b><br><b>XXX</b> custom version | <b>OUTPUT TYPE</b><br><b>PR</b> radial cable output (standard length 0.3 m) | <b>MAX ROTATION SPEED</b><br><b>3</b> 3000 rpm | <b>ENCLOSURE RATING</b><br><b>X</b> IP 54 | <b>BORE DIAMETER</b><br><b>14</b> ∅ 14 mm<br><b>15</b> ∅ 15 mm<br><i>N.B.: for 12mm or 10 mm shaft adapter please see accessories</i> |

# EH 80 PU



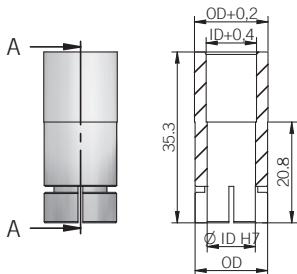
## Electrical specifications

|                                      |  |
|--------------------------------------|--|
| <b>Resolution</b>                    | 1000 / 1024 / 2000 / 2048 ppr                                    |
| <b>Power supply</b>                  | 4,5 ... 30 V DC (with reverse polarity protection)               |
| <b>Current consumption</b>           | 100 mA max   |
| <b>Max load current</b>              | 20 mA per channel  |
| <b>Output type</b>                   | line driver TTL/HTL<br>RS422 compatible with +5 Vdc power supply |
| <b>Max output frequency</b>          | 105 kHz  |
| <b>Counting direction</b>            | A leads B clockwise (shaft view)                                 |
| <b>Electromagnetic compatibility</b> | IEC 61000-6-2<br>IEC 61000-6-4                                   |

## Accessories

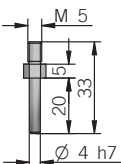
| Description         | P / N    | ID (mm) | OD (mm) |
|---------------------|----------|---------|---------|
| Shaft adapter 15/10 | 41890366 | 10      | 15      |
| Shaft adapter 15/12 | 41890367 | 12      | 15      |
| Shaft adapter 14/10 | 41890371 | 10      | 14      |
| Shaft adapter 14/12 | 41890372 | 12      | 14      |

N.B.: for further shaft adapter diameters please directly contact our offices



## Accessories

| Description      | P / N    | Thread | HEX |
|------------------|----------|--------|-----|
| Antirotation pin | 23240008 | M5     | 7   |



## Mechanical specifications

|                              |   |
|------------------------------|---|
| <b>Shaft diameter</b>        | 14 / 15 mm<br>(12/10 mm with shaft adapter) |
| <b>Enclosure rating</b>      | IP 54 (IEC 60529)                           |
| <b>Max rotation speed</b>    | 3000 rpm                                    |
| <b>Shock</b>                 | 50 G, 11 ms (IEC 60068-2-27)                |
| <b>Vibration</b>             | 10 G, 10 ... 2000 Hz (IEC 60068-2-6)        |
| <b>Body material</b>         | PA66 glass fiber reinforced                 |
| <b>Shaft material</b>        | 1.4305 / AISI 303 stainless steel           |
| <b>Housing material</b>      | PA66 glass fiber reinforced                 |
| <b>Bearings</b>              | 2 ball bearings                             |
| <b>Bearings life</b>         | 10 <sup>9</sup> revolutions                 |
| <b>Operating temperature</b> | -10° ... +85°C                              |
| <b>Storage temperature</b>   | -25° ... +85°C                              |
| <b>Weight</b>                | approx 250 g                                |

## Connections

| Function | Cable colour |
|----------|--------------|
| +V DC    | red          |
| 0 V      | black        |
| Ch. A    | green        |
| Ch. B    | yellow       |
| Ch. Z    | blue         |
| Ch. A-   | brown        |
| Ch. B-   | orange       |
| Ch. Z-   | white        |
| ⊕        | shield       |