

GEWISS



POWER

**CATALOGUE
2016**

"We've made a very definite choice: to innovate. Every day creating something better than the day before. Exploring new paths that nobody has ever taken. This is our history. This is our future."



[Company] [Product] [Market]

The GEWISS story is a long entrepreneurial path that began with a brilliant product idea and, even today, still feeds on the ability to imagine the world of tomorrow. We set up the company on the concept of development as a constant management feature - an innovative philosophy that has allowed us to become a leader in the international electro-technical field.

Every one of our products is designed and built to reach the most important aim: that of improving the quality and safety of plant engineering solutions. The road we've chosen is the one of excellence, with a tireless search for the best possible level of technology, performance, reliability, practicality and design. Our goal is a range of products for the integrated electrical system. Products that ensure the highest qualitative standards and reflect our genuine love of beauty.

By listening to our customers and talking with them, we've built up solid, long-lasting relations. We've transformed this firm belief into an extensive range of services for the market, to improve and increase the professional level of our customers and foster the development of their businesses. Because creating direct relations with our customers, and making sure they last, is the foundation of mutual success.





RESTART
AUTOTEST

BEYOND SAFETY,





INNOVATION



Index

MODULAR DEVICES



Automatic reclosing devices

90 ReStart

31



Modular circuit breakers
for circuit protection

90 MCB

37



Modular circuit breakers
for residual current protection

90 RCD

52



Residual current circuit breakers

90 IDP

74



Modular accessories

90 AM

82



Products for photovoltaic systems

90 PV

114

MOULDED CASE DEVICES



Moulded case circuit breakers
for power distribution

MTX

144



Rotary switch disconnectors

97 MSS

188



Flush-mounting distribution boards up to 160 A

47 CVX 160 I

235



Wall-mounting distribution boards up to 160 A with extractable frame

47 CVX 160 E

241



Modular distribution boards up to 630 A - IP43

47 CVX 630 K

251



Monobloc distribution boards up to 630 A - IP 55

47 CVX 630 M

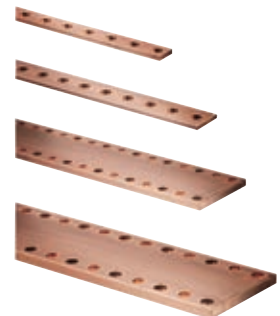
265



Floor-mounting cabinet up to 3200 A

47 CVX 1600

279



Distribution systems for distribution boards

47 BUSBAR

304

90 ReStart



page 31

90 MCB



page 37

90 RCD



page 52

Modular devices

90 IDP



page 74

90 AM



page 82

90 PV



page 114

GEWISS offers a complete range of modular devices (that can be installed on a DIN rail) for the protection of people and of the electrical system. Products distinguished by their attractive appearance, thanks to a sophisticated, unique design. In addition, the GEWISS one-way




switches comply with the most important international directives, and are recognised by the leading certification bodies as being safe, reliable and of optimum quality.

90 ReStart

RESTART WITH AUTOTEST

Selection tables

Automatic reclosing devices with preventive check of the insulation and automatic test of the residual current circuit breaker.



COUPLED VERSIONS WITH RCCB'S				
2 poles			4 poles	
5 mod.			7 mod.	
				
	$I\Delta n = 30 \text{ mA}$		$I\Delta n = 30 \text{ mA}$	$I\Delta n = 300 \text{ mA}$
$I_n \text{ (A)}$	A[IR] type	A[IR] - PRO type	A[IR] - PRO type	
25	GW 90 901 N	GW 90 911	GW 90 921	GW 90 927
40	GW 90 902 N	GW 90 912	GW 90 922	GW 90 928
63	-	GW 90 913	GW 90 923	GW 90 929





NOTE: ARD must be supplied with 230 V AC phase-neutral for working.

RESTART RD

Selection tables

Automatic reclosing devices with preventive check of the insulation.

COUPLED VERSIONS WITH RESIDUAL CURRENT CIRCUIT BREAKERS								
2 poles			2 poles - PRO version					
4 mod.			4 mod.					
								
IΔn = 30 mA		IΔn = 30 mA		IΔn = 100 mA	IΔn = 300 mA		IΔn = 500 mA	
In (A)	A type	A[IR] type	A type	A[IR] type	A type	A type	A[S] type	A type
25	GW 94 817 R	GW 95 651 R	GW 94 817 P	GW 95 651 P	-	GW 94 819 P	-	-
40	GW 94 827 R	GW 95 656 R	GW 94 827 P	GW 95 656 P	GW 94 828 P	GW 94 829 P	GW 94 924 P	GW 94 830 P
63	GW 94 837 R	GW 95 661 R	GW 94 837 P	GW 95 661 P	GW 94 838 P	GW 94 839 P	GW 94 934 P	GW 94 840 P

Versions to be coupled with RCCB's SD 4 poles - PRO version									
									
GW 90 966					GW 90 968				
3 mod.					3 mod.				
+					+				
RCCB'S SD 4 POLES									
									
In (A)	Type	IΔn = 30 mA		IΔn = 100 mA		IΔn = 300 mA		IΔn = 500 mA	
		3 mod.	4 mod.	3 mod.	4 mod.	3 mod.	4 mod.	3 mod.	4 mod.
25	AC	GW 94 662	GW 94 697 GW 94 637 *	-	GW 94 698	GW 94 664	GW 94 699 GW 94 639 *	-	-
	A	GW 94 867	GW 94 877 GW 94 552 *	-	GW 94 878	GW 94 869	GW 94 879 GW 94 554 *	-	-
	A[IR]	-	GW 95 676	-	-	-	GW 95 678	-	-
40	AC	GW 94 667	GW 94 707 GW 94 647 *	GW 94 668	GW 94 708	GW 94 669	GW 94 709 GW 94 649 *	GW 94 670	GW 94 710
	A	GW 94 897	GW 94 927 GW 94 557 *	GW 94 898	GW 94 928	GW 94 899	GW 94 929 GW 94 559 *	GW 94 900	GW 94 930
	A[IR]	-	GW 95 681	-	-	-	GW 95 683	-	-
	A[S]	-	-	-	-	-	GW 94 966	-	-
63	AC	-	GW 94 757 GW 94 717 *	-	GW 94 758	-	GW 94 759 GW 94 719 *	-	GW 94 760
	A	-	GW 94 937 GW 94 907 *	-	GW 94 938	-	GW 94 939 GW 94 909 *	-	GW 94 940
	A[IR]	-	GW 95 686	-	-	-	GW 95 688	-	-
	A[S]	-	-	-	-	-	GW 94 976	-	-
80	AC	-	GW 94 761 GW 94 727 *	-	GW 94 771	-	GW 94 766 GW 94 728 *	-	-
	A	-	GW 94 947	-	GW 94 948	-	GW 94 949	-	-
	A[IR]	-	-	-	-	-	GW 94 986	-	-
100	AC	-	GW 94 777 GW 94 737 *	-	GW 94 778	-	GW 94 779 GW 94 739 *	-	GW 94 780
	A	-	GW 94 957	-	GW 94 958	-	GW 94 959	-	GW 94 960
	A[IR]	-	GW 95 696	-	-	-	GW 95 698	-	-
	A[S]	-	-	-	-	-	GW 94 996	-	-

NOTE: they are also compatible with RCCBs (SD 2P).

ARD must be supplied with 230 V AC phase-neutral for working.



* RCCB with Neutral on the left.

90 ReStart





RESTART RM

Selection tables

Automatic reclosing devices with preventive check of the insulation and of the short circuit.

			COUPLED VERSIONS WITH RCBO'S MDC				
			2 poles		2 poles - PRO version		
			4 mod.		4 mod.		
							
			IΔn = 30 mA		IΔn = 30 mA	IΔn = 300 mA	
Icn (A)	Curve	In (A)	A type	A[IR] type	A type	A type	A[IR] type
4500	C	6	GW 94 225 R	-	-	-	-
		10	GW 94 226 R	-	-	-	-
		13	GW 94 231 R	-	-	-	-
		16	GW 94 227 R	-	-	-	-
		20	GW 94 228 R	-	-	-	-
		25	GW 94 229 R	-	-	-	-
		32	GW 94 230 R	-	-	-	-
6000	C	6	GW 94 325 R	GW 95 805 R	GW 94 325 P	GW 94 335 P	-
		10	GW 94 326 R	GW 95 806 R	GW 94 326 P	GW 94 336 P	-
		13	GW 94 331 R	GW 95 811 R	GW 94 331 P	-	-
		16	GW 94 327 R	GW 95 807 R	GW 94 327 P	GW 94 337 P	GW 95 847 P
		20	GW 94 328 R	GW 95 808 R	GW 94 328 P	GW 94 338 P	GW 95 848 P
		25	GW 94 329 R	GW 95 809 R	GW 94 329 P	GW 94 339 P	GW 95 849 P
		32	GW 94 330 R	GW 95 810 R	GW 94 330 P	GW 94 340 P	GW 95 850 P

NOTE: ARD must be supplied with 230 V AC phase-neutral for working.

VERSIONS TO BE COUPLED WITH RCBO'S MDC 4 POLES - PRO VERSION								
								
			GW 90 986			GW 90 988		
			3 mod.			3 mod.		
			+			+		
RCBO'S MDC 4P								
			4 mod.			4 mod.		
								
			IΔn = 30 mA			IΔn = 300 mA		
Icn (A)	Curve	In (A)	AC type	A type	A[IR] type	AC type	A type	A[S] type
4500	C	6	GW 94 065	GW 94 265	-	GW 94 075	GW 94 275	-
		10	GW 94 066	GW 94 266	-	GW 94 076	GW 94 276	-
		13	GW 94 071	GW 94 271	-	-	-	-
		16	GW 94 067	GW 94 267	-	GW 94 077	GW 94 277	-
		20	GW 94 068	GW 94 268	-	GW 94 078	GW 94 278	-
		25	GW 94 069	GW 94 269	-	GW 94 079	GW 94 279	-
		32	GW 94 070	GW 94 270	-	GW 94 080	GW 94 280	-
6000	C	6	GW 94 165	GW 94 365	GW 95 815	GW 94 175	GW 94 375	-
		10	GW 94 166	GW 94 366	GW 95 816	GW 94 176	GW 94 376	-
		13	GW 94 171	GW 94 371	GW 95 821	-	-	-
		16	GW 94 167	GW 94 367	GW 95 817	GW 94 177	GW 94 377	GW 95 857
		20	GW 94 168	GW 94 368	GW 95 818	GW 94 178	GW 94 378	GW 95 858
		25	GW 94 169	GW 94 369	GW 95 819	GW 94 179	GW 94 379	GW 95 859
		32	GW 94 170	GW 94 370	GW 95 820	GW 94 180	GW 94 380	GW 95 860
	B	6	-	GW 95 165	-	-	GW 95 175	-
		10	-	GW 95 166	-	-	GW 95 176	-
		13	-	GW 95 171	-	-	-	-
		16	-	GW 95 167	-	-	GW 95 177	-
		20	-	GW 95 168	-	-	GW 95 178	-
		25	-	GW 95 169	-	-	GW 95 179	-
		32	-	GW 95 170	-	-	GW 95 180	-




NOTE: they are also compatible with RCBO's 1P+N and 2 poles (MDC 1P+N e 2P).
ARD must be supplied with 230 V AC phase-neutral for working.

90 ReStart

RESTART RM TOP

Selection tables




Adjustable reclosing device with/without preventive check of the insulation and/or short-circuits.

VERSION TO BE COUPLED WITH MCB'S AND ADD-ON RCD'S 4 POLES					
 GW 90 893 4 mod.					
+					
MCB'S MT 4 POLES 4 mod.					
					
Curve	In (A)	Icn = 6000 A	Icn = 10000 A	Icn = 25000 A	
C	1	GW 92 081	-	-	
	2	GW 92 082	-	-	
	3	GW 92 083	-	-	
	4	GW 92 084	-	-	
	6	GW 92 085	GW 92 685	GW 92 885	
	10	GW 92 086	GW 92 686	GW 92 886	
	13	GW 92 094	GW 92 694	-	
	16	GW 92 087	GW 92 687	GW 92 887	
	20	GW 92 088	GW 92 688	GW 92 888	
	25	GW 92 089	GW 92 689	GW 92 889	
	32	GW 92 090	GW 92 690	GW 92 890	
	40	GW 92 091	GW 92 691	GW 92 891	
	50	GW 92 092	GW 92 692	GW 92 892	
63	GW 92 093	GW 92 693	GW 92 893		
B	6	GW 92 285	GW 92 585	-	
	10	GW 92 286	GW 92 586	-	
	13	GW 92 294	GW 92 587	-	
	16	GW 92 287	GW 92 588	-	
	20	GW 92 288	GW 92 589	-	
	25	GW 92 289	GW 92 590	-	
	32	GW 92 290	GW 92 591	-	
	40	GW 92 291	GW 92 592	-	
	50	GW 92 292	GW 92 593	-	
	63	GW 92 293	GW 92 594	-	
D	1	-	GW 92 781	-	
	2	-	GW 92 782	-	
	3	-	GW 92 783	-	
	4	-	GW 92 784	-	
	6	GW 92 485	GW 92 785	-	
	10	GW 92 486	GW 92 786	-	
	13	GW 92 494	GW 92 794	-	
	16	GW 92 487	GW 92 787	-	
	20	GW 92 488	GW 92 788	-	
	25	GW 92 489	GW 92 789	-	
	32	GW 92 490	GW 92 790	-	
	40	GW 92 491	GW 92 791	-	
	+				
ADD-ON RESIDUAL CURRENT DEVICES BD 4 POLES					
3,5 mod.					
					
In (A)	IΔn (mA)	AC type	A type	A[IR] type	A[S] type
≤25	30	GW 94 422	GW 94 522	-	-
	300	GW 94 423	GW 94 523	-	-
	500	GW 94 424	GW 94 524	-	-
≤63	30	GW 94 432	GW 94 532	GW 94 586	-
	300	GW 94 433	GW 94 533	-	GW 94 583
	500	GW 94 434	GW 94 534	-	-
	1000	-	-	-	GW 94 585

NOTE: they are also compatible with MCB's MTC, RCBO's MDC, MCB's MT and with Add-on RCD's BD 1P+N, 2 e 3 poles.
ARD must be supplied with 230 V AC phase-neutral for working.

RESTART WITH AUTOTEST

Technical data

TYPE	ReStart with Autotest 2P	ReStart with Autotest PRO 2P	ReStart with Autotest PRO 4P
			
Electrical characteristics			
Standards:	EN 50557, EN 61008-1		
Distribution system:	TT - TN		
Rated operational voltage (Ue):	(V) 230 AC ⁽¹⁾		400 AC
Minimum operating voltage (min Ue):	(V)	85% Ue	
Maximum operating voltage (max Ue):	(V)	110% Ue	
Rated insulation voltage (Ui):	(V)	500	
Dielectric strength test voltage between pole and earth:	(V)	2500 AC for 1 minute	
Rated impulse withstand voltage (Uimp):	(kV)	4	
Overvoltage category:		III	
Rated frequency:	(Hz)	50	
Residual making and breaking capacity (IΔm):	(A)	630	
Rated conditional residual short-circuit current with fuse (IΔc):	(A)	10000 (gL 63A) for In=25-40A 10000 (gL 80A) for In=63A	
Number of poles:		2	4
Type of associated residual current circuit breaker:		A[IR]	
Rated current (In):	(A) 25 - 40		25 - 40 - 63
Rated residual operating current (IΔn):	(mA)	30	30 - 300
Rated non-operating resistance between live parts and earth (Rdo):	(kΩ)	20	8 (30mA) - 2.5 (300mA)
Rated operating resistance between live parts and earth (Rd):	(kΩ)	70	16 (30mA) - 5 (300mA)
Power loss at In:	(W)	2.2 (25A) - 5.4 (40A) - 6.2 (63A)	
Off-load absorbed power:	(VA)	4 (cosφ=0.2)	
Power absorbed during automatic reclosing:	(VA)	41 (cosφ=0.5)	
Power supply:		from above	
Mechanical characteristics			
Width in DIN modules:		5	7
Reclosing time:	(s)	10	
Autotest cycle time:	(s)	7	
Maximum operational frequency:	(oper./h)	30	
Max mechanical endurance (total no. operations):		4000	
Maximum no. of consecutive automatic reclosure operations ⁽²⁾ :		3	
Counter reset time no. of consecutive automatic reclosure operations:	(s)	60	
Section of circuit breaker terminals:	(mm ²)	flexible cable: ≤ 1x35 - ≤ 2x16 - ≤ 1x16+2x10 rigid cable: ≤ 1x35 - ≤ 2x16 - ≤ 1x16+2x10	
Rated tightening torque:	(Nm)	2	
Degree of protection:		IP20 (terminals) - IP40 (front)	
Operating temperature:	(°C)	-25 +40	-25 +60 ⁽³⁾
Stocking temperature:	(°C)	-40 +70	
Tropicalization:		55°C - RH 95%	
Auxiliary contact characteristics			
Type of contact:		Photomos	
Operating voltage:	(V)	5-230 AC/DC	
Operating current:	(mA)	0,6 (min) - 100 cosφ=1 (max)	
Operating frequency:	(Hz)	50	
Category of use:		AC12	
Operating mode:		NO / NC / NC + impulse ⁽⁴⁾	
Terminal section:	(mm ²)	≤ 2.5	
Rated tightening torque:	(Nm)	0.4	
AUTOTEST function			
Regular and automatic RCCB test:		•	•
Light signalling for autotest cycle in progress:		•	•
Light signalling for any device anomaly:		•	•
RESTART function			
Automatic reclosure for untimely tripping:		•	•
Earth leakage check:		•	•
Continuous system check:		•	•
Interruption of reclosure operation in the event of a fault:		•	•
Signalling of reclosure operation in progress:		•	•
Light signalling of failure:		•	•
Activation / exclusion of RESTART function:		•	•
Auxiliary contact for remote operating status access:		•	•
Internal electrical protection:		PTC	PTC

⁽¹⁾ Power supply 230V phase-neutral

⁽²⁾ In the absence of a system fault




⁽³⁾ Average daily temperature ≤ +35°C

⁽⁴⁾ Choosing NC + impulse option, auxiliary contact switches for 100ms at the end of each cycle of Autotest carried out successfully.

90 ReStart

RESTART RD

Technical data

TYPE	ReStart Rd 2P	ReStart Rd PRO 2P	ReStart Rd PRO 4P
			
Electrical characteristics			
Standards:	EN 50557, EN 61008-1		EN 50557
Distribution system:	TT - TN		
Rated operational voltage (Ue):	(V) 230 AC ⁽¹⁾		
Minimum operating voltage (min Ue):	(V) 85% Ue		
Maximum operating voltage (max Ue):	(V) 110% Ue		
Rated insulation voltage (Ui):	(V) 500		
Dielectric strength test voltage between pole and earth:	(V) 2500 AC for 1 minute		
Rated impulse withstand voltage (Uimp):	(kV) 4		
Overvoltage category:	III		
Rated frequency:	(Hz) 50		
Residual making and breaking capacity (IΔm):	(A) IΔm of the associated circuit breaker		
Rated conditional residual short-circuit current with fuse (IΔc):	(A) IΔc of the associated circuit breaker		
Number of poles:	2		4
Type of SD RCCB:	A - A[IR]	A - A[IR] - A[S]	AC - A - A[IR] - A[S]
Rated current (In):	(A) 25 - 40 - 63	25 - 40 - 63 - 80	25 - 40 - 63 - 80 - 100
Rated residual operating current (IΔn):	(mA) 30	30 - 100 - 300 - 500	30 - 100 - 300 - 500
Rated non-operating resistance between live parts and earth (Rdo):	(kΩ) 20	8 (30mA) - 2.5 (100/300/500mA)	8 (30mA) - 2.5 (100/300/500mA)
Rated operating resistance between live parts and earth (Rd):	(kΩ) 70	16 (30mA) - 5 (100/300/500mA)	16 (30mA) - 5 (100/300/500mA)
Power loss at In:	(W) Power loss of the associated circuit breaker		
Off-load absorbed power:	(VA) 0	17 (cosφ=0.2)	4 (cosφ=0.2)
Power absorbed during automatic reclosing:	(VA) 18 (cosφ=0.5)		45 (cosφ=0.5)
Mechanical characteristics			
Width in DIN modules:	2 (ARD) + 2 (RCCB)		3 (ARD)
Reclosing time:	(s) 90		10
Maximum operational frequency:	(oper./h) 15		30
Max mechanical endurance (total no. operations):	1000		4000
Maximum no. of consecutive automatic reclosure operations ⁽²⁾ :	3		
Counter reset time no. of consecutive automatic reclosure operations:	(s) 180		60
Section of circuit breaker terminals:	(mm ²)	flexible cable ⁽³⁾ : ≤ 1x35 - ≤ 2x16 - ≤ 1x16+2x10 rigid cable ⁽⁴⁾ : ≤ 1x35 - ≤ 2x16 - ≤ 1x16+2x10	
Rated tightening torque:	(Nm) 2		
Degree of protection:	IP20 (terminals) - IP40 (front)		
Operating temperature:	(°C) -5 +40		-25 +60 ⁽⁵⁾
Stocking temperature:	(°C) -40 +70		
Tropicalization:	55°C - RH 95%		
Auxiliary contact characteristics			
Type of contact:	-	Photomos	
Operating voltage:	(V) -	5-230 AC/DC	
Operating current:	(mA) -	0,6 (min) - 100 cosφ=1 (max)	
Operating frequency:	(Hz) -	50	
Category of use:	-	AC12	
Operating mode:	-	NO/NC/INTERMITTENT	
Terminal section:	(mm ²) -	≤ 2.5	
Rated tightening torque:	(Nm) -	0,4	
ReSTART function			
Automatic reclosure for untimely tripping:	•	•	•
Earth failure test:	•	•	•
Earth leakage check:	•	•	•
Interruption of reclosure operation in the event of a fault:	•	•	•
Signalling of reclosure operation in progress:	•	•	•
Light signalling of failure:	•	•	•
Activation / exclusion of ReSTART function:	•	•	•
Auxiliary contact for remote operating status access:	•	•	•
Internal electrical protection:	PTC	PTC	PTC

⁽¹⁾ Power supply 230V phase-neutral

⁽⁴⁾ ≤1x35 - ≤2x16 - ≤1x16 + 2x10 for 4-pole versions in 3 modules

⁽²⁾ In the absence of a system fault

⁽⁵⁾ Average daily temperature ≤ +35°C

⁽³⁾ ≤1x25 - ≤1x16+1x10 - ≤3x6 for 4-pole versions in 3 modules

RESTART RM

Technical data

TYPE	ReStart Rm 2P	ReStart Rm PRO 2P	ReStart Rm PRO 4P	Rm TOP	CM
Electrical characteristics					
Standards:	EN 50557, EN 61009-1		EN 50557	-	-
Distribution system:	TT - TN			TT - TN - IT ⁽¹⁾	TT-TN-IT
Rated operational voltage (Ue):	(V)	230 AC ⁽²⁾			
Minimum operating voltage (min Ue):	(V)	85% Ue			
Maximum operating voltage (max Ue):	(V)	110% Ue			
Rated insulation voltage (Ui):	(V)	500			
Dielectric strength test voltage between pole and earth:	(V)	2500 AC for 1 minute			
Rated impulse withstand voltage (Uimp):	(kV)	4			
Overvoltage category:		III			
Rated frequency:	(Hz)	50			
Residual making and breaking capacity (I Δ m):	(A)	I Δ m of the associated circuit breaker			
Number of poles:		2		4	
Type of MDC RCBO:		A - A[IR]	A - A[S]	AC - A - A[IR] - A[S]	
Type of MT+BD RCBO:		-	-	AC - A - A[IR] - A[S]	
Rated current (In):	(A)	from 6 to 32		from 1 to 63	
Rated residual operating current (I Δ n):	(mA)	30	30 - 300	30 - 300 - 500 - 1000	
Rated non-operating resistance between live parts and earth (Rdo):	(k Ω)	20	8 (30mA) - 2.5 (300mA)	8 (30mA) - 2.5 (300/500/1000mA)	
Rated operating resistance between live parts and earth (Rd):	(k Ω)	70	16 (30mA) - 5 (300mA)	16 (30mA) - 5 (300/500/1000mA)	
Rated non-operating resistance between live parts (Rcco):	(Ω)	0.8		0.3	-
Rated operating resistance between live parts (Rcc):	(Ω)	1.3		1.8	-
Power loss at In:	(W)	Power loss of the associated circuit breaker			
Off-load absorbed power:	(VA)	0	17 (cos ϕ =0.2)	16 (cos ϕ =0.2)	15 (cos ϕ =0.1)
Power absorbed during automatic reclosing:	(VA)	18 (cos ϕ =0.5)		34 (cos ϕ =0.7)	30 (cos ϕ =0.6)
Reclosing control:		automatic		automatic / remote ⁽³⁾	
Mechanical characteristics					
Width in DIN modules:		2 (ARD) + 2 (RCBO)		3 (ARD)	4 (ARD)
Reclosing time:	(s)	90	10	3 (without system test) 10 (with system test)	3
Remote control opening time:	(s)	-	-	-	2
Maximum operational frequency:	(oper./h)	15		30	
Max mechanical endurance (total no. operations):		1000		4000	10000
Maximum no. of consecutive automatic reclosure operations ⁽⁴⁾ :				3	-
Counter reset time	(s)	180		60	-
no. of consecutive automatic reclosure operations:					
Section of circuit breaker terminals:	(mm ²)	flexible cable: $\leq 1 \times 35 - \leq 2 \times 16 - \leq 1 \times 16 + 2 \times 10$ rigid cable: $\leq 1 \times 35 - \leq 2 \times 16 - \leq 1 \times 16 + 2 \times 10$			
Rated tightening torque:	(Nm)	2			
Degree of protection:		IP20 (terminals) - IP40 (front)			
Operating temperature:	(°C)	-5 +40		-25 +60 ⁽⁵⁾	
Stocking temperature:	(°C)	-40 +70			
Tropicalization:		55°C - RH 95%			
Auxiliary contact characteristics					
Type of contact:		-	Photomos	Photomos	Changeover
Operating voltage:	(V)	-	5-230 AC/DC	5-230 AC/DC	230 AC/ 30 DC
Operating current:	(mA)	-	0,6 (min) 100 cos ϕ =1 (max)	0,6 (min) 100 cos ϕ =1 (max)	1,5 AC / 0,8 DC
Operating frequency:	(Hz)	-	50		
Category of use:		-	AC12		
Operating mode:		-	NO/NC/ INTERMITTENT	NO/NC/NO as signal of handle position	CO
Terminal section:	(mm ²)	-	≤ 2.5		
Rated tightening torque:	(Nm)	-	0,4		
RESTART function					
Automatic reclosure for untimely tripping:		•	•	•	•
Earth leakage check:		•	•	•	•
Short-circuit check:		•	•	•	•
Adjustable insulation threshold:					•
Continuous system check:				•	•
Adjustable reset standby time ⁽⁶⁾ :					•
Adjustable reclosing mode:					•
Interruption of reclosure operation in the event of a fault:		•	•	•	•
Signalling of reclosure operation in progress:		•	•	•	•
Light signalling of failure:		•	•	•	•
Activation / exclusion of RESTART function:		•	•	•	•
Auxiliary contact for remote operating status access:			•	•	•
Internal electrical protection:		PTC	PTC	PTC	PTC












⁽¹⁾ For IT system reclosing without fault check
⁽⁴⁾ In the absence of a system fault

⁽²⁾ Power supply 230V phase-neutral
⁽⁵⁾ Average daily temperature $\leq +35^\circ\text{C}$

⁽³⁾ Impulse duration $\geq 200\text{ms}$
⁽⁶⁾ Automatic reclosure delay time: 0-1h

90 MCB

Selection tables

			MINIATURE CIRCUIT BREAKERS										
			MTC					MT					
Icn [A] (EN60898)	Curve	In [A]											
			1 mod.	1 mod.	1 mod.	1 mod.	2 mod.	2 mod.	1 mod.	2 mod.	2 mod.	3 mod.	4 mod.
			MTC 45					MT 45					
4500	C	2	-	GW 90 022	GW 90 602	-	-	-	-	-	-	-	-
		6	GW 90 005	GW 90 025	GW 90 605	GW 90 045	GW 90 065	GW 90 085	GW 92 105	GW 92 125	GW 92 145	GW 92 165	GW 92 185
		10	GW 90 006	GW 90 026	GW 90 606	GW 90 046	GW 90 066	GW 90 086	GW 92 106	GW 92 126	GW 92 146	GW 92 166	GW 92 186
		13	GW 90 011	GW 90 031	-	GW 90 051	GW 90 071	GW 90 091	GW 92 107	GW 92 127	GW 92 147	GW 92 167	GW 92 187
		16	GW 90 007	GW 90 027	GW 90 607	GW 90 047	GW 90 067	GW 90 087	GW 92 108	GW 92 128	GW 92 148	GW 92 168	GW 92 188
		20	GW 90 008	GW 90 028	GW 90 608	GW 90 048	GW 90 068	GW 90 088	GW 92 109	GW 92 129	GW 92 149	GW 92 169	GW 92 189
		25	GW 90 009	GW 90 029	GW 90 609	GW 90 049	GW 90 069	GW 90 089	GW 92 110	GW 92 130	GW 92 150	GW 92 170	GW 92 190
	32	GW 90 010	GW 90 030	GW 90 610	GW 90 050	GW 90 070	GW 90 090	GW 92 111	GW 92 131	GW 92 151	GW 92 171	GW 92 191	
	40	-	-	-	-	-	-	GW 92 112	GW 92 132	GW 92 152	GW 92 172	GW 92 192	
	B	6	-	-	-	-	-	-	GW 92 305	GW 92 325	GW 92 345	GW 92 365	GW 92 385
		10	-	-	-	-	-	-	GW 92 306	GW 92 326	GW 92 346	GW 92 366	GW 92 386
		13	-	-	-	-	-	-	GW 92 307	GW 92 327	GW 92 347	GW 92 367	GW 92 387
		16	-	-	-	-	-	-	GW 92 308	GW 92 328	GW 92 348	GW 92 368	GW 92 388
		20	-	-	-	-	-	-	GW 92 309	GW 92 329	GW 92 349	GW 92 369	GW 92 389
25		-	-	-	-	-	-	GW 92 310	GW 92 330	GW 92 350	GW 92 370	GW 92 390	
32		-	-	-	-	-	-	GW 92 311	GW 92 331	GW 92 351	GW 92 371	GW 92 391	
40	-	-	-	-	-	-	GW 92 312	GW 92 332	GW 92 352	GW 92 372	GW 92 392		
			MTC 60					MT 60					
6000	C	1	-	-	-	-	-	-	GW 92 001	GW 92 021	GW 92 041	GW 92 061	GW 92 081
		2	-	-	-	-	-	-	GW 92 002	GW 92 022	GW 92 042	GW 92 062	GW 92 082
		3	-	-	-	-	-	-	GW 92 003	GW 92 023	GW 92 043	GW 92 063	GW 92 083
		4	-	-	-	-	-	-	GW 92 004	GW 92 024	GW 92 044	GW 92 064	GW 92 084
		6	-	GW 90 225	-	GW 90 245	GW 90 265	GW 90 285	GW 92 005	GW 92 025	GW 92 045	GW 92 065	GW 92 085
		10	-	GW 90 226	-	GW 90 246	GW 90 266	GW 90 286	GW 92 006	GW 92 026	GW 92 046	GW 92 066	GW 92 086
		13	-	GW 90 231	-	GW 90 251	GW 90 271	GW 90 291	GW 92 014	GW 92 034	GW 92 054	GW 92 074	GW 92 094
		16	-	GW 90 227	-	GW 90 247	GW 90 267	GW 90 287	GW 92 007	GW 92 027	GW 92 047	GW 92 067	GW 92 087
		20	-	GW 90 228	-	GW 90 248	GW 90 268	GW 90 288	GW 92 008	GW 92 028	GW 92 048	GW 92 068	GW 92 088
		25	-	GW 90 229	-	GW 90 249	GW 90 269	GW 90 289	GW 92 009	GW 92 029	GW 92 049	GW 92 069	GW 92 089
		32	-	GW 90 230	-	GW 90 250	GW 90 270	GW 90 290	GW 92 010	GW 92 030	GW 92 050	GW 92 070	GW 92 090
		40	-	-	-	-	-	-	GW 92 011	GW 92 031	GW 92 051	GW 92 071	GW 92 091
	50	-	-	-	-	-	-	GW 92 012	GW 92 032	GW 92 052	GW 92 072	GW 92 092	
	63	-	-	-	-	-	-	GW 92 013	GW 92 033	GW 92 053	GW 92 073	GW 92 093	
	B	6	-	GW 90 325	-	GW 90 345	-	-	GW 92 205	-	GW 92 245	GW 92 265	GW 92 285
		10	-	GW 90 326	-	GW 90 346	-	-	GW 92 206	-	GW 92 246	GW 92 266	GW 92 286
		13	-	GW 90 327	-	GW 90 347	-	-	GW 92 214	-	GW 92 254	GW 92 274	GW 92 294
		16	-	GW 90 328	-	GW 90 348	-	-	GW 92 207	-	GW 92 247	GW 92 267	GW 92 287
		20	-	GW 90 329	-	GW 90 349	-	-	GW 92 208	-	GW 92 248	GW 92 268	GW 92 288
		25	-	GW 90 330	-	GW 90 350	-	-	GW 92 209	-	GW 92 249	GW 92 269	GW 92 289
		32	-	GW 90 331	-	GW 90 351	-	-	GW 92 210	-	GW 92 250	GW 92 270	GW 92 290
		40	-	-	-	-	-	-	GW 92 211	-	GW 92 251	GW 92 271	GW 92 291
		50	-	-	-	-	-	-	GW 92 212	-	GW 92 252	GW 92 272	GW 92 292
		63	-	-	-	-	-	-	GW 92 213	-	GW 92 253	GW 92 273	GW 92 293
D		6	-	-	-	-	-	-	GW 92 405	-	GW 92 445	GW 92 465	GW 92 485
		10	-	-	-	-	-	-	GW 92 406	-	GW 92 446	GW 92 466	GW 92 486
	13	-	-	-	-	-	-	GW 92 414	-	GW 92 454	GW 92 474	GW 92 494	
	16	-	-	-	-	-	-	GW 92 407	-	GW 92 447	GW 92 467	GW 92 487	
	20	-	-	-	-	-	-	GW 92 408	-	GW 92 448	GW 92 468	GW 92 488	
	25	-	-	-	-	-	-	GW 92 409	-	GW 92 449	GW 92 469	GW 92 489	
	32	-	-	-	-	-	-	GW 92 410	-	GW 92 450	GW 92 470	GW 92 490	
	40	-	-	-	-	-	-	GW 92 411	-	GW 92 451	GW 92 471	GW 92 491	






* Miniature circuit breakers with neutral on the left

			MINIATURE CIRCUIT BREAKERS											
			MTC		MT				MTHP					
Icn [A] (EN60898)	Curve	In [A]	1P+N 1 mod.	2P 1 mod.	1P 1 mod.	2P 2 mod.	3P 3 mod.	4P 4 mod.	1P 1.5 mod.	2P 3 mod.	3P 4.5 mod.	4P 6 mod.		
			MTC 100				MT 100							
10000	C	6	GW 90 425	GW 90 445	GW 92 605	GW 92 645	GW 92 665	GW 92 685	-	-	-	-		
		10	GW 90 426	GW 90 446	GW 92 606	GW 92 646	GW 92 666	GW 92 686	-	-	-	-		
		13	GW 90 431	GW 90 451	GW 92 614	GW 92 654	GW 92 674	GW 92 694	-	-	-	-		
		16	GW 90 427	GW 90 447	GW 92 607	GW 92 647	GW 92 667	GW 92 687	-	-	-	-		
		20	GW 90 428	GW 90 448	GW 92 608	GW 92 648	GW 92 668	GW 92 688	-	-	-	-		
		25	GW 90 429	GW 90 449	GW 92 609	GW 92 649	GW 92 669	GW 92 689	-	-	-	-		
		32	GW 90 430	GW 90 450	GW 92 610	GW 92 650	GW 92 670	GW 92 690	-	-	-	-		
		40	-	-	GW 92 611	GW 92 651	GW 92 671	GW 92 691	-	-	-	-		
	50	-	-	GW 92 612	GW 92 652	GW 92 672	GW 92 692	-	-	-	-			
	63	-	-	GW 92 613	GW 92 653	GW 92 673	GW 92 693	-	-	-	-			
	B	6	-	-	GW 92 505	GW 92 545	GW 92 565	GW 92 585	-	-	-	-		
		10	-	-	GW 92 506	GW 92 546	GW 92 566	GW 92 586	-	-	-	-		
		13	-	-	GW 92 507	GW 92 547	GW 92 567	GW 92 587	-	-	-	-		
		16	-	-	GW 92 508	GW 92 548	GW 92 568	GW 92 588	-	-	-	-		
		20	-	-	GW 92 509	GW 92 549	GW 92 569	GW 92 589	-	-	-	-		
		25	-	-	GW 92 510	GW 92 550	GW 92 570	GW 92 590	-	-	-	-		
		32	-	-	GW 92 511	GW 92 551	GW 92 571	GW 92 591	-	-	-	-		
		40	-	-	GW 92 512	GW 92 552	GW 92 572	GW 92 592	-	-	-	-		
	50	-	-	GW 92 513	GW 92 553	GW 92 573	GW 92 593	-	-	-	-			
	63	-	-	GW 92 514	GW 92 554	GW 92 574	GW 92 594	-	-	-	-			
	D	1	-	-	GW 92 701	GW 92 741	GW 92 761	GW 92 781	-	-	-	-		
		2	-	-	GW 92 702	GW 92 742	GW 92 762	GW 92 782	-	-	-	-		
		3	-	-	GW 92 703	GW 92 743	GW 92 763	GW 92 783	-	-	-	-		
		4	-	-	GW 92 704	GW 92 744	GW 92 764	GW 92 784	-	-	-	-		
		6	-	-	GW 92 705	GW 92 745	GW 92 765	GW 92 785	-	-	-	-		
		10	-	-	GW 92 706	GW 92 746	GW 92 766	GW 92 786	-	-	-	-		
		13	-	-	GW 92 714	GW 92 754	GW 92 774	GW 92 794	-	-	-	-		
		16	-	-	GW 92 707	GW 92 747	GW 92 767	GW 92 787	-	-	-	-		
20	-	-	GW 92 708	GW 92 748	GW 92 768	GW 92 788	-	-	-	-				
25	-	-	GW 92 709	GW 92 749	GW 92 769	GW 92 789	-	-	-	-				
32	-	-	GW 92 710	GW 92 750	GW 92 770	GW 92 790	-	-	-	-				
40	-	-	GW 92 711	GW 92 751	GW 92 771	GW 92 791	-	-	-	-				
							MTHP 160							
10000 (16kA EN60947-2)	C	80	-	-	-	-	-	-	GW 93 307	GW 93 327	GW 93 337	GW 93 347		
		100	-	-	-	-	-	-	GW 93 308	GW 93 328	GW 93 338	GW 93 348		
		125	-	-	-	-	-	-	GW 93 309	GW 93 329	GW 93 339	GW 93 349		
	D	63	-	-	-	-	-	-	GW 93 356	GW 93 376	GW 93 386	GW 93 396		
		80	-	-	-	-	-	-	GW 93 357	GW 93 377	GW 93 387	GW 93 397		
100	-	-	-	-	-	-	GW 93 358	GW 93 378	GW 93 388	GW 93 398				
			MT 250				MTHP 250							
12500	C	50	-	-	GW 92 812	GW 92 852	GW 92 872	GW 92 892	-	-	-	-		
		63	-	-	GW 92 813	GW 92 853	GW 92 873	GW 92 893	-	-	-	-		
15000	C	32	-	-	GW 92 810	GW 92 850	GW 92 870	GW 92 890	-	-	-	-		
		40	-	-	GW 92 811	GW 92 851	GW 92 871	GW 92 891	-	-	-	-		
20000	C	25	-	-	GW 92 809	GW 92 849	GW 92 869	GW 92 889	-	-	-	-		
25000	C	6	-	-	GW 92 805	GW 92 845	GW 92 865	GW 92 885	-	-	-	-		
		10	-	-	GW 92 806	GW 92 846	GW 92 866	GW 92 886	-	-	-	-		
		16	-	-	GW 92 807	GW 92 847	GW 92 867	GW 92 887	-	-	-	-		
		20	-	-	GW 92 808	GW 92 848	GW 92 868	GW 92 888	GW 93 201	GW 93 221	GW 93 231	GW 93 241		
		25	-	-	-	-	-	-	GW 93 202	GW 93 222	GW 93 232	GW 93 242		
		32	-	-	-	-	-	-	GW 93 203	GW 93 223	GW 93 233	GW 93 243		
		40	-	-	-	-	-	-	GW 93 204	GW 93 224	GW 93 234	GW 93 244		
50	-	-	-	-	-	-	GW 93 205	GW 93 225	GW 93 235	GW 93 245				
63	-	-	-	-	-	-	GW 93 206	GW 93 226	GW 93 236	GW 93 246				

90 MCB

MCB - MTC - MT - MTHP

Technical data

TYPE		MTC			MT		
		MTC45	MTC60	MTC100	MT 45	MT 60	
							
Rated current (In)	(A)	2-32	6-32	6-32	6-40	1-63	
Utilization category		A	A	A	A	A	
Rated operational voltage (Ue)	(V)	230 / 400	230 / 400	230	230 / 400	230 / 400	
Minimum operating voltage (Ue min)	(V)	12 AC/DC	12 AC/DC	12 AC/DC	12 AC/DC	12 AC/DC	
Maximum operating voltage (Ue max)	(V)	440 AC / 220 DC	440 AC / 220 DC	253 AC / 110 DC	440 AC / 220 DC	440 AC / 220 DC	
Insulation voltage (Ui)	(V)	500	500	500	500	500	
Rated frequency	(Hz)	50 / 60	50 / 60	50 / 60	50 / 60	50 / 60	
Rated impulse withstand voltage (Uimp)	(kV)	4	4	4	4	4	
Overvoltage category:		III	III	III	III	III	
Number of poles		1 1+N,2 3,4	1+N,2 3,4	1+N,2	1,1+N 2,3,4	1, 1+N 2,3,4	
BREAKING CAPACITY	AC - Alternating current IEC 60898 - EN 60898 (A)						
	lcn	4500	6000 ⁽¹⁾ 6000	10000 ⁽¹⁾	4500	6000	
	lcs	1 lcn	1 lcn	0.75 lcn	1 lcn	1 lcn	
	AC - Alternating current IEC 60947-2 - EN 60947-2 (kA) Ue (V)						
	lcu	230 / 240	4.5 6 6	7.5 7.5	10	4.5 6	10 20
		400 / 415	- - 4.5	- 6	-	- 6	- 10
	lcs		100% lcu	100% lcu	75% lcu	100% lcu	75% lcu
	DC - Direct current IEC 60947-2 - EN 60947-2 (kA) Ue (V)						
	lcu (1 pole)	50	6	10	-	6	10
	lcs		6	10	-	6	10
lcu (2 poles in series)	110	6	10	10 (15 at 50V)	6	10	
lcs		6	10	10 (15 at 50V)	6	6	
lcu (4 poles in series)	220	4.5	6	-	4.5	10	
lcs		4.5	6	-	4.5	10	
Wiring	cable section (mm ²)	rigid	≤ 1x16 - ≤ 1x10+1x6	≤ 1x16 - ≤ 1x10+1x6	≤ 1x16 - ≤ 1x10+1x6	≤ 1x35 - ≤ 2x16 - ≤ 1x16+2x10	≤ 1x35 - ≤ 2x16 - ≤ 1x16+2x10
		flexible	≤ 1x10 - ≤ 2x6	≤ 1x10 - ≤ 2x6	≤ 1x10 - ≤ 2x6	≤ 1x35 - ≤ 2x16 - ≤ 1x16+2x10	≤ 1x35 - ≤ 2x16 - ≤ 1x16+2x10
Screwdriver suggested:		PZ2	PZ2	PZ2	PZ2	PZ2	
Electrical endurance:		10000	10000	10000	10000	10000	
Mechanical endurance:		20000	20000	20000	20000	20000	
Max. no. of usable modular accessories:		2	2	2	2	2	
Upline/downline power supply:		yes	yes	yes	yes	yes	
ON/OFF status displayed:		yes	yes	yes	yes	yes	
Type of residual current device:		-	-	-	Add-on RCD BD	Add-on RCD BD	
Rated tightening torque:	(Nm)	1.2	1.2	1.2	2	2	
Degree of protection:	terminals	IP20	IP20	IP20	IP20	IP20	
	front	IP40	IP40	IP40	IP40	IP40	
Tropicalization:		55°C - RH 95%	55°C - RH 95%	55°C - RH 95%	55°C - RH 95%	55°C - RH 95%	
Reference temperature:	(°C)	30	30	30	30	30	
Operating temperature:	(°C)	-25 +60	-25 +60	-25 +60	-25 +60	-25 +60	
Stocking temperature:	(°C)	-40 +70	-40 +70	-40 +70	-40 +70	-40 +70	
Weight:	(g)	135 (per module)	135 (per module)	135 (per module)	140 (per pole)	140 (per pole)	
Tripping characteristic		C	C B	C	C B	C B D	
Rated currents available In:	(A)	-	-	-	-	1 - -	
		2	-	-	-	2 - -	
		-	-	-	-	3 - -	
		-	-	-	-	4 - -	
		6	6 6	6	6 6	6 6 6	
		10	10 10	10	10 10	10 10 10	
		13	13 13	13	13 13	13 13 13	
		16	16 16	16	16 16	16 16 16	
		20	20 20	20	20 20	20 20 20	
		25	25 25	25	25 25	25 25 25	
		32	32 32	32	32 32	32 32 32	
		-	-	-	40 40	40 40 40	
		-	-	-	-	50 50 -	
		-	-	-	-	63 63 -	
		-	-	-	-	-	
		-	-	-	-	-	

⁽¹⁾ Breaking capacity of the single pole lcn1=4500A









⁽²⁾ Reduced connection terminal (width connection < 17mm)

≤95mm² with reduced connection terminal (width connection < 17mm)

MT												MTHP														
MT 100						MT 250						MTHP 160						MTHP 250								
1-25			32-63			6-20			25			32-40			50-63			63-125			20-63					
A			A			A			A			A			A			A								
230/400			230/400			230/400			230/400			230/400			230/400			230/400								
12 AC/DC			12 AC/DC			12 AC/DC			12 AC/DC			12 AC/DC			12 AC/DC			12 AC/DC								
440 AC/220 DC			440 AC/220 DC			440 AC/220 DC			440 AC/220 DC			440 AC/220 DC			440 AC/220 DC			440 AC/220 DC								
500			500			500			500			500			500			500								
50/60			50/60			50/60			50/60			50/60			50/60			50/60								
4			4			4			4			4			4			6								
III			III			III			III			III			III			IV								
1	2	3,4	1	2	3,4	1	2	3,4	1	2	3,4	1	2	3,4	1	2	3,4	1	2,3,4	1	2	3,4				
10000			10000			25000			20000			15000			12500			10000			25000					
0.75 Icn			0.75 Icn			0.75 Icn			0.75 Icn			0.75 Icn			0.75 Icn			0.75 Icn			0.75 Icn					
15	30	25	12.5	25	20	25	50	40	20	40	30	15	30	25	15	25	20	16	20	25	50	30				
-	20	15	-	15	12.5	-	30	25	-	25	20	-	20	15	-	15	15	4.5	16	6	25	25				
50% Icu			50% Icu			50% Icu			50% Icu			50% Icu			50% Icu			50% Icu			75% Icu					
10			10			20			20			20			20			10			25					
10			10			15			15			15			15			10			20					
15			15			25			25			25			25			15			30					
15			15			20			20			20			20			12			25					
15			15			25			25			25			25			15			25					
12			12			20			20			20			20			12			20					
≤35			≤ 1x35 - ≤ 2x16 - ≤ 1x16+2x10			≤ 1x35 - ≤ 2x16 - ≤ 1x16+2x10			≤ 1x35 - ≤ 2x16 - ≤ 1x16+2x10			≤ 1x35 - ≤ 2x16 - ≤ 1x16+2x10			≤ 1x35 - ≤ 2x16 - ≤ 1x16+2x10			≤ 1x35 - ≤ 2x16 - ≤ 1x16+2x10			≤ 1x70 - ≤ 2x25 - ≤ 2x25+1x10					
≤35			≤ 1x35 - ≤ 2x16 - ≤ 1x16+2x10			≤ 1x35 - ≤ 2x16 - ≤ 1x16+2x10			≤ 1x35 - ≤ 2x16 - ≤ 1x16+2x10			≤ 1x35 - ≤ 2x16 - ≤ 1x16+2x10			≤ 1x35 - ≤ 2x16 - ≤ 1x16+2x10			≤ 1x35 - ≤ 2x16 - ≤ 1x16+2x10			≤ 1x50 ⁽²⁾ - ≤ 2x25 - ≤ 3x16			≤ 1x50 ⁽²⁾ - ≤ 2x25 - ≤ 3x16		
PZ2			PZ2			PZ2			PZ2			PZ2			PZ2			PZ2			PZ2					
10000			10000			10000			10000			10000			10000			10000			10000					
20000			20000			20000			20000			20000			20000			20000			20000					
2			2			2			2			2			2			2			2					
yes			yes			yes			yes			yes			yes			yes			yes					
yes			yes			yes			yes			yes			yes			yes			yes					
Add-on RCD BD			Add-on RCD BD			Add-on RCD BD			Add-on RCD BD			Add-on RCD BD			Add-on RCD BD			Add-on RCD BDHP			Add-on RCD BDHP					
2			2			2			2			2			2			3.5 / 3 (terminal)			3.5 / 3 (terminal)					
IP20			IP20			IP20			IP20			IP20			IP20			IP20			IP20					
IP40			IP40			IP40			IP40			IP40			IP40			IP40			IP40					
55°C - RH 95%			55°C - RH 95%			55°C - RH 95%			55°C - RH 95%			55°C - RH 95%			55°C - RH 95%			55°C - RH 95%			55°C - RH 95%					
30			30			30			30			30			30			30			30					
-25 +60			-25 +60			-25 +60			-25 +60			-25 +60			-25 +60			-25 +60			-25 +60					
-40 +70			-40 +70			-40 +70			-40 +70			-40 +70			-40 +70			-40 +70			-40 +70					
145 (per pole)			145 (per pole)			145 (per pole)			145 (per pole)			145 (per pole)			145 (per pole)			250 (per pole)			250 (per pole)					
C			B			D			C			C			C			D			C					
-			-			1			-			-			-			-			-					
-			-			2			-			-			-			-			-					
-			-			3			-			-			-			-			-					
-			-			4			-			-			-			-			-					
6			6			6			6			6			6			-			-					
10			10			10			10			10			10			-			-					
13			13			13			-			-			-			-			-					
16			16			16			-			-			-			-			-					
20			20			20			20			20			20			-			20					
25			25			25			25			25			25			-			25					
32			32			32			32			32			32			-			32					
40			40			40			40			40			40			-			40					
50			50			-			50			50			50			-			50					
63			63			-			63			63			63			-			63					
-			-			-			-			-			-			80			80					
-			-			-			-			-			-			100			100					
-			-			-			-			-			-			125			-					

90 RCD

Selection tables

				COMPACT RESIDUAL CURRENT CIRCUIT BREAKERS WITH OVERCURRENT PROTECTION							
				IΔn = 30mA				IΔn = 300mA			
											
Icn [A] (EN 61009-1)	Curve	Type	In [A]	1P+N 2 mod.	2P 2 mod.	3P 3 mod.	4P 4 mod.	1P+N 2 mod.	2P 2 mod.	3P 3 mod.	4P 4 mod.
MDC 45											
4500	C	AC	6	GW 94 005	GW 94 025	GW 94 045	GW 94 065	GW 94 015	GW 94 035	GW 94 055	GW 94 075
			10	GW 94 006	GW 94 026	GW 94 046	GW 94 066	GW 94 016	GW 94 036	GW 94 056	GW 94 076
			13	GW 94 011	GW 94 031	GW 94 051	GW 94 071	-	-	-	-
			16	GW 94 007	GW 94 027	GW 94 047	GW 94 067	GW 94 017	GW 94 037	GW 94 057	GW 94 077
			20	GW 94 008	GW 94 028	GW 94 048	GW 94 068	GW 94 018	GW 94 038	GW 94 058	GW 94 078
			25	GW 94 009	GW 94 029	GW 94 049	GW 94 069	GW 94 019	GW 94 039	GW 94 059	GW 94 079
		A	32	GW 94 010	GW 94 030	GW 94 050	GW 94 070	GW 94 020	GW 94 040	GW 94 060	GW 94 080
			6	GW 94 205	GW 94 225	GW 94 245	GW 94 265	GW 94 215	GW 94 235	GW 94 255	GW 94 275
			10	GW 94 206	GW 94 226	GW 94 246	GW 94 266	GW 94 216	GW 94 236	GW 94 256	GW 94 276
			13	GW 94 211	GW 94 231	GW 94 251	GW 94 271	-	-	-	-
			16	GW 94 207	GW 94 227	GW 94 247	GW 94 267	GW 94 217	GW 94 237	GW 94 257	GW 94 277
			20	GW 94 208	GW 94 228	GW 94 248	GW 94 268	GW 94 218	GW 94 238	GW 94 258	GW 94 278
			25	GW 94 209	GW 94 229	GW 94 249	GW 94 269	GW 94 219	GW 94 239	GW 94 259	GW 94 279
			32	GW 94 210	GW 94 230	GW 94 250	GW 94 270	GW 94 220	GW 94 240	GW 94 260	GW 94 280
MDC 60											
6000	C	AC	6	GW 94 105	GW 94 125	GW 94 145	GW 94 165	GW 94 115	GW 94 135	GW 94 155	GW 94 175
			10	GW 94 106	GW 94 126	GW 94 146	GW 94 166	GW 94 116	GW 94 136	GW 94 156	GW 94 176
			13	GW 94 111	GW 94 131	GW 94 151	GW 94 171	-	-	-	-
			16	GW 94 107	GW 94 127	GW 94 147	GW 94 167	GW 94 117	GW 94 137	GW 94 157	GW 94 177
			20	GW 94 108	GW 94 128	GW 94 148	GW 94 168	GW 94 118	GW 94 138	GW 94 158	GW 94 178
			25	GW 94 109	GW 94 129	GW 94 149	GW 94 169	GW 94 119	GW 94 139	GW 94 159	GW 94 179
		A	32	GW 94 110	GW 94 130	GW 94 150	GW 94 170	GW 94 120	GW 94 140	GW 94 160	GW 94 180
			6	GW 94 305	GW 94 325	GW 94 345	GW 94 365	GW 94 315	GW 94 335	GW 94 355	GW 94 375
			10	GW 94 306	GW 94 326	GW 94 346	GW 94 366	GW 94 316	GW 94 336	GW 94 356	GW 94 376
			13	GW 94 311	GW 94 331	GW 94 351	GW 94 371	-	-	-	-
			16	GW 94 307	GW 94 327	GW 94 347	GW 94 367	GW 94 317	GW 94 337	GW 94 357	GW 94 377
			20	GW 94 308	GW 94 328	GW 94 348	GW 94 368	GW 94 318	GW 94 338	GW 94 358	GW 94 378
		A(IR)	25	GW 94 309	GW 94 329	GW 94 349	GW 94 369	GW 94 319	GW 94 339	GW 94 359	GW 94 379
			32	GW 94 310	GW 94 330	GW 94 350	GW 94 370	GW 94 320	GW 94 340	GW 94 360	GW 94 380
			6	-	GW 95 805	-	GW 95 815	-	-	-	-
			10	-	GW 95 806	-	GW 95 816	-	-	-	-
			13	-	GW 95 811	-	GW 95 821	-	-	-	-
			16	-	GW 95 807	-	GW 95 817	-	-	-	-
	A(S)	20	-	GW 95 808	-	GW 95 818	-	-	-	-	
		25	-	GW 95 809	-	GW 95 819	-	-	-	-	
		32	-	GW 95 810	-	GW 95 820	-	-	-	-	
		16	-	-	-	-	-	GW 95 847	-	GW 95 857	
	B	A	20	-	-	-	-	-	GW 95 848	-	GW 95 858
			25	-	-	-	-	-	GW 95 849	-	GW 95 859
			32	-	-	-	-	-	GW 95 850	-	GW 95 860
			6	GW 95 105	GW 95 125	GW 95 145	GW 95 165	GW 95 115	GW 95 135	GW 95 155	GW 95 175
			10	GW 95 106	GW 95 126	GW 95 146	GW 95 166	GW 95 116	GW 95 136	GW 95 156	GW 95 176
			13	GW 95 111	GW 95 131	GW 95 151	GW 95 171	-	-	-	-
		A	16	GW 95 107	GW 95 127	GW 95 147	GW 95 167	GW 95 117	GW 95 137	GW 95 157	GW 95 177
			20	GW 95 108	GW 95 128	GW 95 148	GW 95 168	GW 95 118	GW 95 138	GW 95 158	GW 95 178
25			GW 95 109	GW 95 129	GW 95 149	GW 95 169	GW 95 119	GW 95 139	GW 95 159	GW 95 179	
32			GW 95 110	GW 95 130	GW 95 150	GW 95 170	GW 95 120	GW 95 140	GW 95 160	GW 95 180	

				COMPACT RESIDUAL CURRENT CIRCUIT BREAKERS WITH OVERCURRENT PROTECTION							
				IΔn = 30mA		IΔn = 100mA		IΔn = 300mA			
Icn [A] (EN 61009-1)	Curve	Type	In [A]	1P+N 2 mod.	2P 2 mod.	3P 3 mod.	2P 2 mod.	1P+N 2 mod.	2P 2 mod.		
MDC 100											
10000	C	AC	6	GW 95 005	GW 95 025	GW 95 025 MA*	-	-	GW 95 015	GW 95 035	GW 95 035 MA*
			10	GW 95 006	GW 95 026	GW 95 026 MA*	-	-	GW 95 016	GW 95 036	GW 95 036 MA*
			13	GW 95 011	GW 95 031	GW 95 031 MA*	-	-	-	-	-
			16	GW 95 007	GW 95 027	GW 95 027 MA*	-	-	GW 95 017	GW 95 037	GW 95 037 MA*
			20	GW 95 008	GW 95 028	GW 95 028 MA*	-	-	GW 95 018	GW 95 038	GW 95 038 MA*
			25	GW 95 009	GW 95 029	GW 95 029 MA*	-	-	GW 95 019	GW 95 039	GW 95 039 MA*
		32	GW 95 010	GW 95 030	GW 95 030 MA*	-	-	GW 95 020	GW 95 040	GW 95 040 MA*	
		A	6	GW 95 205	GW 95 225	GW 95 225 MA*	GW 95 245**	GW 95 785	GW 95 215	GW 95 235	GW 95 235 MA*
			10	GW 95 206	GW 95 226	GW 95 226 MA*	GW 95 246**	GW 95 786	GW 95 216	GW 95 236	GW 95 236 MA*
			13	GW 95 211	GW 95 231	GW 95 231 MA*	-	GW 95 791	-	-	-
			16	GW 95 207	GW 95 227	GW 95 227 MA*	GW 95 247**	GW 95 787	GW 95 217	GW 95 237	GW 95 237 MA*
			20	GW 95 208	GW 95 228	GW 95 228 MA*	GW 95 248**	GW 95 788	GW 95 218	GW 95 238	GW 95 238 MA*
			25	GW 95 209	GW 95 229	GW 95 229 MA*	GW 95 249**	GW 95 789	GW 95 219	GW 95 239	GW 95 239 MA*
		A[IR]	32	GW 95 210	GW 95 230	GW 95 230 MA*	GW 95 250**	GW 95 790	GW 95 220	GW 95 240	GW 95 240 MA*
			6	-	GW 95 825	-	-	-	-	-	-
			10	-	GW 95 826	-	-	-	-	-	-
			13	-	GW 95 831	-	-	-	-	-	-
			16	-	GW 95 827	-	-	-	-	-	-
	20		-	GW 95 828	-	-	-	-	-	-	
	B	A	6	-	GW 95 325	-	GW 95 795	-	GW 95 335	-	
			10	-	GW 95 326	-	GW 95 796	-	GW 95 336	-	
			13	-	GW 95 331	-	GW 95 801	-	-	-	
			16	-	GW 95 327	-	GW 95 797	-	GW 95 337	-	
			20	-	GW 95 328	-	GW 95 798	-	GW 95 338	-	
25			-	GW 95 329	-	GW 95 799	-	GW 95 339	-		
A[IR]		32	-	GW 95 330	-	GW 95 800	-	GW 95 340	-		
		6	-	GW 95 835	-	-	-	-	-		
		10	-	GW 95 836	-	-	-	-	-		
		13	-	GW 95 841	-	-	-	-	-		
		16	-	GW 95 837	-	-	-	-	-		
		20	-	GW 95 838	-	-	-	-	-		
25	-	GW 95 839	-	-	-	-	-				
32	-	GW 95 840	-	-	-	-	-				





* Rated operating voltage equal to 110V ac

** Rated operating voltage equal to 230V ac

ADD-ON RESIDUAL CURRENT DEVICES (EN 61009-1 APP. G)										
BD										
BDHP										
Type	IΔn [mA]	2P		3P		4P		2P	3P	4P
		2 mod.		3,5 mod.		3,5 mod.		4 mod.	6 mod.	6 mod.
		Ins25 A	Ins63 A	Ins25 A	Ins63 A	Ins25 A	Ins63 A	Ins125 A	Ins125 A	Ins125 A
AC	10	GW 94 401	-	-	-	-	-	-	-	-
	30	GW 94 402	GW 94 412	GW 94 442	GW 94 448	GW 94 422	GW 94 432	GW 95 406	GW 95 416	GW 95 426
	300	GW 94 403	GW 94 413	GW 94 443	GW 94 449	GW 94 423	GW 94 433	GW 95 408	GW 95 418	GW 95 428
	500	GW 94 404	GW 94 414	GW 94 444	GW 94 450	GW 94 424	GW 94 434	-	-	-
A	30	GW 94 502	GW 94 512	GW 94 542	GW 94 547	GW 94 522	GW 94 532	GW 95 436	GW 95 446	GW 95 456
	300	GW 94 503	GW 94 513	GW 94 543	GW 94 548	GW 94 523	GW 94 533	GW 95 438	GW 95 448	GW 95 458
	500	GW 94 504	GW 94 514	GW 94 544	GW 94 549	GW 94 524	GW 94 534	-	-	-
A[IR]	30	GW 94 566	-	GW 94 595	-	GW 94 586	-	-	-	-
A[S]	300	GW 94 563	-	GW 94 598	-	GW 94 583	-	GW 95 468	GW 95 478	GW 95 488
	1000	GW 94 565	-	GW 94 600	-	GW 94 585	-	GW 95 470	GW 95 480	GW 95 490
A reg.	300-3000	-	-	-	-	-	-	-	-	GW 95 512

				RCD SAFETY SOCKET		FLUSH-MOUNTING RCD WATERTIGHT COVER		HOUSING FOR SURFACE-MOUNTING	
In [A]	Ue [V]	Type	IΔn [mA]	IP21	IP44	IP41	IP41	IP44	IP44
16	230	A	10	GW 95 921	GW 95 923	GW 95 925	GW 95 925	GW 95 928	
			30	GW 95 922	GW 95 924	GW 95 926	GW 95 926		

90 RCD

			Residual current circuit breakers (EN 61008-1)				
			SD				
			2P			4P	
							
In [A]	Type	IΔn [mA]	2 mod.	3 mod.	4 mod.	4 mod. **	
25	AC	10	GW 94 616	-	-	-	
		30	GW 94 617	GW 94 662	GW 94 697	GW 94 637	
		100	GW 94 618	-	GW 94 698	-	
		300	GW 94 619	GW 94 664	GW 94 699	GW 94 639	
	A	10	GW 94 816	GW 94 866	-	-	
		30	GW 94 817	GW 94 867	GW 94 877	GW 94 552	
		100	GW 94 818	-	GW 94 878	-	
	A[IR]	300	GW 94 819	GW 94 869	GW 94 879	GW 94 554	
		30	GW 95 651	-	GW 95 676	-	
	B[IR]	300	-	-	GW 95 678	-	
		30	GW 95 701 *	-	GW 95 716	-	
		300	-	-	GW 95 718	-	
40	AC	30	GW 94 627	GW 94 667	GW 94 707	GW 94 647	
		100	GW 94 628	GW 94 668	GW 94 708	-	
		300	GW 94 629	GW 94 669	GW 94 709	GW 94 649	
		500	GW 94 630	GW 94 670	GW 94 710	-	
	A	30	GW 94 827	GW 94 897	GW 94 927	GW 94 557	
		100	GW 94 828	GW 94 898	GW 94 928	-	
		300	GW 94 829	GW 94 899	GW 94 929	GW 94 559	
	A[IR]	500	GW 94 830	GW 94 900	GW 94 930	-	
		30	GW 95 656	-	GW 95 681	-	
	A[S]	300	-	-	GW 95 683	-	
		300	GW 94 924	-	GW 94 966	-	
	B[IR]	30	GW 95 706 *	-	GW 95 721	-	
		300	-	-	GW 95 723	-	
	63	AC	30	GW 94 790	-	GW 94 757	GW 94 717
			100	GW 94 791	-	GW 94 758	-
			300	GW 94 792	-	GW 94 759	GW 94 719
500			GW 94 789	-	GW 94 760	-	
A		30	GW 94 837	-	GW 94 937	GW 94 907	
		100	GW 94 838	-	GW 94 938	-	
		300	GW 94 839	-	GW 94 939	GW 94 909	
A[IR]		500	GW 94 840	-	GW 94 940	-	
		30	GW 95 661	-	GW 95 686	-	
A[S]		300	-	-	GW 95 688	-	
		300	GW 94 934	-	GW 94 976	-	
B[IR]		30	-	-	GW 95 726	-	
		300	-	-	GW 95 728	-	
B[S]		500	-	-	GW 95 729	-	
		300	-	-	GW 95 737	-	
80		AC	30	GW 94 793	-	GW 94 761	GW 94 727
	100		GW 94 794	-	GW 94 771	-	
	300		GW 94 795	-	GW 94 766	GW 94 728	
	A	30	GW 94 847	-	GW 94 947	-	
		100	GW 94 848	-	GW 94 948	-	
		300	GW 94 849	-	GW 94 949	-	
	A[S]	300	GW 94 944	-	GW 94 986	-	
		30	-	-	GW 95 731	-	
	B[IR]	300	-	-	GW 95 733	-	
		300	-	-	GW 95 743	-	
100	AC	30	-	-	GW 94 777	GW 94 737	
		100	-	-	GW 94 778	-	
		300	-	-	GW 94 779	GW 94 739	
		500	-	-	GW 94 780	-	
	A	30	-	-	GW 94 957	-	
		100	-	-	GW 94 958	-	
		300	-	-	GW 94 959	-	
	A[IR]	500	-	-	GW 94 960	-	
		30	-	-	GW 95 696	-	
	A[S]	300	-	-	GW 95 698	-	
300		-	-	GW 94 996	-		
125	AC	30	-	-	GW 95 601	-	
		300	-	-	GW 95 603	-	
		500	-	-	GW 95 604	-	
	A	30	-	-	GW 95 606	-	
		300	-	-	GW 95 608	-	
		500	-	-	GW 95 609	-	

* 4 modules

** RCD's with neutral on the left

RCBO - MDC




Technical data

TYPE		MDC 45		MDC 60		MDC 100		MDC 100 MA			
Standard		EN 61009-1		EN 61009-1		EN 61009-1		EN 61009-1			
Rated current (In)	(A)	6-32		6-32		6-32		6-32			
Utilization category		A		A		A		A			
Rated operational voltage (Ue)	(V AC)	230 / 400		230 / 400		230		110			
Insulation voltage (Ui)	(V)	500		500		500		500			
Rated frequency	(Hz)	50		50		50		50			
Rated impulse withstand voltage (Uimp)		4		4		4		4			
Overvoltage category		III		III		III		III			
Number of poles		1+N, 2	3, 4	1+N, 2	3, 4	1+N, 2, 3			2		
BREAKING CAPACITY	Alternating current IEC 61009 - EN 61009		(A)								
		Icn	4500		6000		10000		10000		
		Ics	1 Icn		1 Icn		0.75 Icn		0.75 Icn		
	Alternating current IEC 60947-2 - EN 60947-2 (kA)		Ue (V)								
		Icu	230	6	-	7.5	-	10		10	
		400	-	4,5	-	6	-		-		
	Ics		100% Icu		100% Icu		75% Icu		75% Icu		
Rated residual operating current (IΔn)		(mA)									
Type	AC		30		30		30		30		30
			300		300		300		300		300
	A		30		30		30		30		30
			-		-		-		100		-
			300		300		300		300		300
	A[IR]		-		30		30		-		
	A[S]		-		300		-		-		
Level of immunity (8/20 μs)		(A)		250		250 (for AC and A types) 3000 (for A[IR] and A[S] types)		250 (for AC and A types) 3000 (for A[IR] type)		250	
Residual making and breaking capacity (IΔm)		(A)		Icn circuit breaker		4500		4500		4500	
Wiring	cable section (mm²)	rigid	≤ 1x35 - ≤ 2x16 - ≤ 1x16+2x10		≤ 1x35 - ≤ 2x16 - ≤ 1x16+2x10		≤ 1x35 - ≤ 2x16 - ≤ 1x16+2x10		≤ 1x35 - ≤ 2x16 - ≤ 1x16+2x10		
		flexible	≤ 1x35 - ≤ 2x16 - ≤ 1x16+2x10		≤ 1x35 - ≤ 2x16 - ≤ 1x16+2x10		≤ 1x35 - ≤ 2x16 - ≤ 1x16+2x10		≤ 1x35 - ≤ 2x16 - ≤ 1x16+2x10		
Electrical endurance				10000		10000		10000		10000	
Mechanical endurance				20000		20000		20000		20000	
Max. no. of usable modular accessories:				2		2		2		2	
Upline/Downline power supply				yes		yes		yes		yes	
Status displayed				yes		yes		yes		yes	
Rated tightening torque		(Nm)		2		2		2		2	
Screwdriver suggested				PZ2		PZ2		PZ2		PZ2	
Degree of protection	terminals			IP20		IP20		IP20		IP20	
	front			IP40		IP40		IP40		IP40	
Tropicalization				55°C - RH 95%		55°C - RH 95%		55°C - RH 95%		55°C - RH 95%	
Reference temperature		(°C)		30		30		30		30	
Operating temperature		(°C)		-25 +40		-25 +40		-25 +40		-25 +40	
Stocking temperature		(°C)		-40 +70		-40 +70		-40 +70		-40 +70	
Weight per pole		(g)		120		120		120		120	
Tripping characteristic				C		C B		C B		C	
Rated currents available (In)	(A)		6		6		6		6		
			10		10		10		10		
			13		13		13		13		
			16		16		16		16		
			20		20		20		20		
			25		25		25		25		
			32		32		32		32		

90 RCD

ADD-ON RCD - BD - BDHP




Technical data

TIPO		BD		BDHP	BDHP ADJUSTABLE	
						
Standard		EN 61009-1 app. G		EN 61009-1 app. G	EN 60947-2 app. B	
Rated current (I _n)	(A)	≤ 25	≤ 63	≤ 125	≤ 125	
Rated operational voltage (U _e)	(V AC)	230/400		230/400	230/400	
Insulation voltage (U _i)	(V)	500		500	500	
Rated frequency	(Hz)	50		50	50	
Rated impulse withstand voltage (U _{imp})	(kV)	4		4	4	
Overvoltage category		III		III	III	
Number of poles		2,3,4		2,3,4	4	
Rated residual operating current (I _{Δn})	(mA)					
Type	AC	10 ⁽¹⁾	-	-	-	
		30	30	30	-	
		300	300	300	-	
		500	500	-	-	
	A	30	30	30	-	
		300	300	300	-	
		500	500	-	-	
	A[IR]	-	30	-	-	
	A[S]	-	300	300	-	
		-	1000	1000	-	
A[Adj.]	-	-	-	300 - 500 - 1000 - 3000		
Adjustable tripping time (t)	(ms)	-		-	0 - 60 - 150	
Level of immunity (8/20 μs)	(A)	250 (for AC and A types) 3000 (for A[IR] and A[S] types)		250 (for AC and A types) 3000 (for A[S] types)	3000	
Residual making and breaking capacity (I _{Δm})	(A)	I _{cn} circuit breaker		I _{cn} circuit breaker	I _{cn} circuit breaker	
Wiring	cable section (mm ²)	rigid	≤ 1x35 - ≤ 2x16 - ≤ 1x16+2x10		≤ 1x70 - ≤ 2x25 - ≤ 2x25+1x10	≤ 1x70 - ≤ 2x25 - ≤ 2x25+ 1x10
		flexible	≤ 1x35 - ≤ 2x16 - ≤ 1x16+2x10		≤ 1x50 - ≤ 2x25 - ≤ 3x16	≤ 1x50 - ≤ 2x25 - ≤ 3x16
Upline/Downline power supply		yes		yes	yes	
Rated tightening torque	(Nm)	2		3,5 / 3 (terminals)	3,5 / 3 (terminals)	
Screwdriver suggested		PZ2		PZ2	PZ2	
Degree of protection	terminals	IP20		IP20	IP20	
	front	IP40		IP40	IP40	
Tropicalization		55°C - RH 95%		55°C - RH 95%	55°C - RH 95%	
Reference temperature	(°C)	30		30	30	
Operating temperature	(°C)	-25 +40		-25 +40	-25 +40	
Stocking temperature:	(°C)	-40 +70		-40 +70	-40 +70	
Weight per pole	(g)	100		200	200	

⁽¹⁾ Only for 2P versions

RESIDUAL CURRENT CIRCUIT BREAKERS SD

Technical data

TYPE		SD	SD 125A	SD TYPE B	
					
Standard		EN 61008-1	EN 61008-1	EN 61008-1, EN 62423	
Rated current (In)	(A)	25-100	125	25-80	
Rated operational voltage (Ue)	(V AC)	230/400	400	230/400	
Insulation voltage (Ui)	(V)	500	500	500	
Rated frequency	(Hz)	50	50	50 / 60	
Number of poles		2 (up to 80A) 4 (up to 100A)	4	2 (up to 40A) 4 (up to 80A)	
Rated residual operating current (IΔn)	(mA)				
Type	AC	10 ⁽¹⁾	-	-	
		30	30	-	
		100	-	-	
		300	300	-	
		500	500	-	
	A	10 ⁽¹⁾	-	-	
		30	30	-	
		100	-	-	
		300	300	-	
		500	500	-	
	A[IR]	30	-	30	
		300	-	300	
A[S]	-	-	500		
	300	-	300		
Level of immunity (B/20 μs)	(A)	250 (for types AC and A) 3000 (for types A[IR] and A[S])	250	3000 (for type B[IR]) 5000 (for type B[S])	
Residual making and breaking capacity (IΔm)	(A)	630 (up to 63A) 800 (80A) 1000 (100A)	1250	800	
Wiring	cable section (mm ²)	rigid	≤35	≤50	≤25
		flexible	≤35 ≤25 (4P 3mod.)	≤50	≤25
Max. no. of usable modular accessories		2 ⁽²⁾	2	1	
Upline/downline power supply		yes	yes	yes	
Rated tightening torque	(Nm)	2	3	2.5	
Screwdriver suggested		P22	P22	P22	
Degree of protection	terminals	IP20	IP20	IP20	
	front	IP40	IP40	IP40	
Tropicalization		55°C - RH 95%	55°C - RH 95%	55°C - RH 95%	
Operating temperature	(°C)	-25 +40	-25 +40	-25 +45	
Stocking temperature	(°C)	-40 +70	-40 +70	-40 +70	
Weight per pole	(g)	95	95	110	

⁽¹⁾ Up to 25A





⁽²⁾ 2P circuit breakers cannot be combined

Rated conditional residual short-circuit current IΔc (kA)														
Rated current In		25A			40A			63A		80A		100A		125A
No. poles		2P	4P 3 mod.	4P 4 mod.	2P	4P 3 mod.	4P 4 mod.	2P	4P	2P	4P	2P	4P	4P
Fuses	gL 63A	6	6	-	6	6	-	6	-	-	-	-	-	-
	gL 80A	-	-	10	-	-	10	-	10	6	10	-	-	-
	gL 100A	10*	-	10*	10*	-	10*	10*	10*	10*	10*	6	10	-
	gL 125A	-	-	-	-	-	-	-	-	-	-	-	-	10
Miniature circuit breakers	MTC45		4.5			4.5								
	MTC60		6			6								
	MT 60		6			6								
	MT 100		10			10			10					
	MT 250		10			10			10					
	MTHP 160		-			-			10		10		10	10
MTHP 250		10			10			10		-		-	-	

* For type B residual current circuit breakers only.

RCCBS IDP

Selection tables

			2P			4P			
									
In [A]	Type	IΔn [mA]	2 mod. (NA)*	2 mod.	3 mod.	4 mod. (NA)*	4 mod.	4 mod.***	
25	AC	10	-	GW D4 001	-	-	-	-	
		30	GW D4 617	GW D4 002	GW 94 662	GW D4 427	GW D4 102	GW D4 302	
		100	-	GW D4 003	-	-	GW D4 103	-	
		300	-	GW D4 004	GW 94 664	GW D4 429	GW D4 104	GW D4 304	
	A	10	-	GW D4 011	GW 94 866	-	GW D4 111	-	
		30	GW D4 817	GW D4 012	GW 94 867	GW D4 439	GW D4 112	GW D4 312	
		100	-	GW D4 013	-	-	GW D4 113	-	
		300	-	GW D4 014	GW 94 869	GW D4 441	GW D4 114	GW D4 314	
	A[IR]	30	-	GW D4 202	-	-	GW D4 217	-	
		300	-	-	-	-	GW D4 218	-	
	B[IR]	30	-	GW 95 701 **	-	-	GW 95 716	-	
		300	-	-	-	-	GW 95 718	-	
40	AC	30	GW D4 627	GW D4 022	GW 94 667	GW D4 431	GW D4 122	GW D4 322	
		100	-	GW D4 023	GW 94 668	-	GW D4 123	-	
		300	-	GW D4 024	GW 94 669	GW D4 433	GW D4 124	GW D4 324	
		500	-	GW D4 025	GW 94 670	-	GW D4 125	-	
	A	30	GW D4 827	GW D4 032	GW 94 897	GW D4 443	GW D4 132	GW D4 332	
		100	-	GW D4 033	GW 94 898	-	GW D4 133	-	
		300	-	GW D4 034	GW 94 899	GW D4 445	GW D4 134	GW D4 334	
		500	-	GW D4 035	GW 94 900	-	GW D4 135	-	
	A[IR]	30	-	GW D4 205	-	-	GW D4 220	-	
		300	-	-	-	-	GW D4 221	-	
	A[S]	300	-	GW D4 234	-	-	GW D4 249	-	
		500	-	GW D4 235	-	-	GW D4 250	-	
	B[IR]	30	-	GW 95 706 **	-	-	GW 95 721	-	
		300	-	-	-	-	GW 95 723	-	
	63	AC	30	-	GW D4 042	-	GW D4 435	GW D4 142	GW D4 342
			100	-	GW D4 043	-	-	GW D4 143	-
300			-	GW D4 044	-	GW D4 437	GW D4 144	GW D4 344	
500			-	GW D4 045	-	-	GW D4 145	-	
A		30	-	GW D4 052	-	GW D4 447	GW D4 152	GW D4 352	
		100	-	GW D4 053	-	-	GW D4 153	-	
		300	-	GW D4 054	-	GW D4 449	GW D4 154	GW D4 354	
		500	-	GW D4 055	-	-	GW D4 155	-	
A[IR]		30	-	GW D4 208	-	-	GW D4 223	-	
		300	-	-	-	-	GW D4 224	-	
A[S]		300	-	GW D4 237	-	-	GW D4 252	-	
		500	-	GW D4 238	-	-	GW D4 253	-	
B[IR]		30	-	-	-	-	GW 95 726	-	
		300	-	-	-	-	GW 95 728	-	
B[S]		300	-	-	-	-	GW 95 729	-	
		300	-	-	-	-	GW 95 737	-	
80	AC	30	-	GW D4 062	-	-	GW D4 162	GW D4 362	
		100	-	GW D4 063	-	-	GW D4 163	-	
		300	-	GW D4 064	-	-	GW D4 164	GW D4 364	
	A	30	-	GW D4 072	-	-	GW D4 172	-	
		100	-	GW D4 073	-	-	GW D4 173	-	
		300	-	GW D4 074	-	-	GW D4 174	-	
	A[S]	300	-	GW D4 240	-	-	GW D4 255	-	
		30	-	-	-	-	GW 95 731	-	
	B[IR]	300	-	-	-	-	GW 95 733	-	
		300	-	-	-	-	GW 95 743	-	
100	AC	30	-	GW D4 082	-	-	GW D4 182	GW D4 382	
		100	-	-	-	-	GW D4 193	-	
		300	-	GW D4 084	-	-	GW D4 184	GW D4 384	
		500	-	-	-	-	GW D4 185	-	
	A	30	-	GW D4 092	-	-	GW D4 192	-	
		100	-	GW D4 093	-	-	GW D4 193	-	
		300	-	GW D4 094	-	-	GW D4 194	-	
		500	-	-	-	-	GW D4 195	-	
	A[IR]	30	-	GW D4 211	-	-	GW D4 226	-	
		300	-	-	-	-	GW D4 227	-	
	A[S]	300	-	GW D4 243	-	-	GW D4 258	-	
		500	-	GW D4 244	-	-	GW D4 259	-	
125	AC	30	-	-	-	-	GW 95 601	-	
		300	-	-	-	-	GW 95 603	-	
		500	-	-	-	-	GW 95 604	-	
	A	30	-	-	-	-	GW 95 606	-	
		300	-	-	-	-	GW 95 608	-	
500	-	-	-	-	GW 95 609	-			

* Accessories not available

** 4 Modules

*** RCCBs with left neutral

IDP RESIDUAL CURRENT CIRCUIT BREAKERS

Technical data

		IDP NA	IDP	IDP 4P (3M)	IDP 125A	IDP B Type	
Standard		EN 61008-1 / IEC 61008-1	EN 61008-1 / IEC 61008-1	EN 61008-1 / IEC 61008-1	EN 61008-1	EN 61008-1, EN 62423	
Rated current (In)	(A)	25-40	25-100	25-40	125	25-80	
Rated operational voltage (Ue)	(V a.c.)	230/400 (EN)	230/400 (EN)	230/400 (EN)	400	230/400	
Insulation voltage (Ui)	(V)	500	500	500	500	500	
Rated impulse withstand voltage (Uimp)	kV	4	4	4	4	4	
Rated frequency	(Hz)	50	50/60*	50	50	50 / 60	
Poles		2, 4	2, 4	4	4	2 (Up to 40A) 4 (Up to 80A)	
Number of modules		2 (2P) 4 (4P)	2 (2P) 4 (4P)	3	4	4 (2P / 4P)	
Rated residual operating current (IΔn)	(mA)						
Type	AC	-	10 ⁽¹⁾	-	-	-	
		30	30	30	30	-	
		-	100	100	-	-	
		300	300	300	300	-	
		-	500	500	500	-	
		-	10 ⁽¹⁾	10 ⁽¹⁾	-	-	
	A	30	30	30	30	-	
		-	100	100	-	-	
		300	300	300	300	-	
		-	500	500	500	-	
		-	30	-	-	30	
		-	300	-	-	300	
IR - Impulse resistant	-	-	-	-	500		
	-	300	-	-	300		
S - Selective	-	300	-	-	300		
Level of immunity (8/20μs)	(A)	250	250 AC - A 3000 A[IR] - A[S]	250	250	3000 (Type B[IR]) 5000 (Type B[S])	
Residual making and breaking capacity (I_{dm})	(A)	10 x In (500A min)	10xIn (500A min)	630	1250	800	
Making and breaking capacity (I_m)	(A)	10 x In (500A min)	10xIn (500A min)	630	1250	800	
Voltage independent		YES	YES	YES	YES	YES	
Wiring	Cable section (mm²)	rigid	≤35	≤35	≤35	≤50	≤25
		flexible	≤35	≤35	≤25	≤50	≤25
Electrical endurance		≥5000	≥10.000	≥5000	≥10000	≥10000	
Mechanical endurance		≥10000	≥20.000	≥10000	≥10000	≥10000	
Upstream / Downstream supply		YES	YES	YES	YES	YES	
Rated tightening torque	(Nm)	2	3	2	3	2,5	
Screw type		PZ2	PZ2	PZ2	PZ2	PZ2	
Pollution degree		2	2	2	2	2	
Fire resistance		Glow wire Test IEC 695-2-1 according with IEC 61008-1	Glow wire Test IEC 695-2-1 according with IEC 61008-1	Glow wire Test IEC 695-2-1 according with IEC 61008-1	Glow wire Test IEC 695-2-1 according with IEC 61008-1	Glow wire Test IEC 695-2-1 according with IEC 61008-1	
IP degree (inside the distribution board)		IP40	IP40	IP40	IP40	IP40	
Tropicalization		55°C 95% _r Hr (EN 60068-2)	55°C 95% _r Hr (EN 60068-2)	55°C 95% _r Hr (EN 60068-2)	55°C 95% _r Hr (EN 60068-2)	55°C 95% _r Hr (EN 60068-2)	
Installation altitude	(m)	≤2000	≤2000	≤2000	≤2000	≤2000	
Operating temperature (average daily temperature ≤35°C)	(°C)	-5 ÷ +40	-25 ÷ +60	-25 ÷ +40	-25 ÷ +40	-25 ÷ +45	
Storage temperature (average daily temperature ≤35°C)	(°C)	-40 ÷ +70	-40 ÷ +70	-40 ÷ +70	-40 ÷ +70	-40 ÷ +70	
Double connection (cable + fork busbar)		YES (only downstream)	YES (Upstream and downstream)	YES (Upstream and downstream)	NO	YES (only downstream)	
Signalization of the relay tripping		NO	YES	NO	NO	NO	

⁽¹⁾ Up to 25A

*60Hz IDP: available upon request

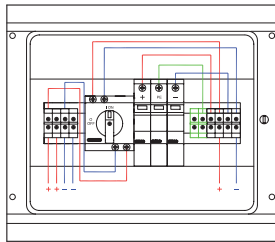
RATED CONDITIONAL RESIDUAL SHORT-CIRCUIT CURRENT IΔc (kA)

Rated current In	25A / 40A (NA)		25A / 40A			63A		80A		100A		125A
	2P	4P	2P	4P	4P (3M)	2P	4P	2P	4P	2P	4P	4P
Fuse	gG 63A	6	6	10	10	6	-	-	-	-	-	-
	gG 80A	-	-	-	-	-	10	10	-	-	-	-
	gG 100	-	-	10*	10*	-	10*	10*	10	10	10	-
	gG 125	-	-	-	-	-	-	-	-	-	-	10
MCB	MTC 45			4,5			-	-	-	-	-	-
	MTC 60			6			-	-	-	-	-	-
	MT 60			6			6	-	-	-	-	-
	MT 100			10			10	-	-	-	-	-
	MT 250			10			10	-	-	-	-	-
	MTHP 160			-			10	-	10	-	10	10
MTHP 250			10			10	-	-	-	-	-	

* Only Type B RCCBs

90 PV RANGE - STRING BOARDS

2 STRINGS - 600V DC - 25A GW D9901



Pre-wired board for connecting 1 or 2 strings of photovoltaic panels to the inverter. It includes:

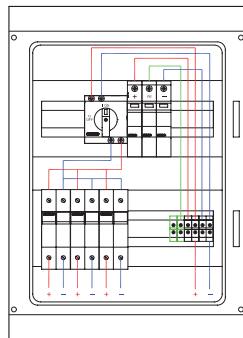
- watertight enclosure
- 1 rotary switch disconnecter 2-pole
- 1 surge protective device with extractable cartridges

TECHNICAL DATA

Standards:	EN 61439-1 and EN 61439-2
No. of modules of 40CDK enclosure:	1x12
Degree of protection:	IP65
Insulation class:	Class II
Rated voltage of the switch disconnecter (Ue):	600V dc
Rated current of the switch disconnecter (In):	25A
Rated operational voltage of the SPD (Un):	600V dc
Connection cable section:	6mm ²

STRING BOARD EQUIPMENT: cable glands (supplied loose) and equipotential terminal blocks.

3 STRINGS - 600V DC - 25A GW D9902



Pre-wired board for connecting 3 strings of photovoltaic panels to the inverter. It includes:

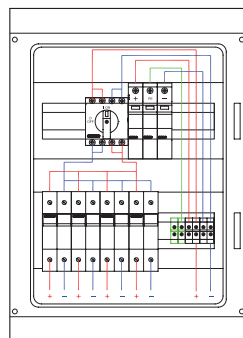
- watertight enclosure
- 1 rotary switch disconnecter 2-pole
- 1 surge protective device with extractable cartridges
- 3 disconnectable fuse-holders

TECHNICAL DATA

Standards:	EN 61439-1 and EN 61439-2
No. of modules of 40CDK enclosure:	2x12
Degree of protection:	IP65
Insulation class:	Class II
Rated voltage of the switch disconnecter (Ue):	600V dc
Rated current of the switch disconnecter (In):	25A
Rated operational voltage of the SPD (Un):	600V dc
Connection cable section:	6mm ²

STRING BOARD EQUIPMENT: cable glands (supplied loose) and equipotential terminal blocks.
NB: DC fuses not supplied.

4 STRINGS - 600V DC - 50A GW D9903



Pre-wired board for connecting 4 strings of photovoltaic panels to the inverter. It includes:

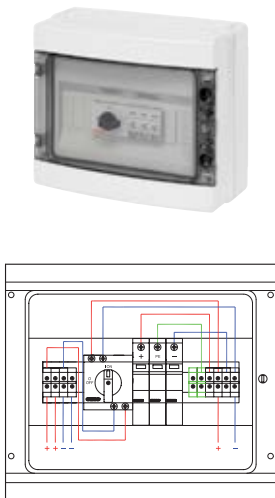
- watertight enclosure
- 1 rotary switch disconnecter 4-pole
- 1 surge protective device with extractable cartridges
- 4 disconnectable fuse-holders

TECHNICAL DATA

Standards:	EN 61439-1 and EN 61439-2
No. of modules of 40CDK enclosure:	2x12
Degree of protection:	IP65
Insulation class:	Class II
Rated voltage of the switch disconnecter (Ue):	600V dc
Rated current of the switch disconnecter (In):	50 A (2 poles in parallel)
Rated operational voltage of the SPD (Un):	600V dc
Connection cable section:	6mm ²

STRING BOARD EQUIPMENT: cable glands (supplied loose) and equipotential terminal blocks.
NB: DC fuses not supplied.

2 STRINGS - 800V DC - 20A GW D9906



Pre-wired board for connecting 1 or 2 strings of photovoltaic panels to the inverter. It includes:

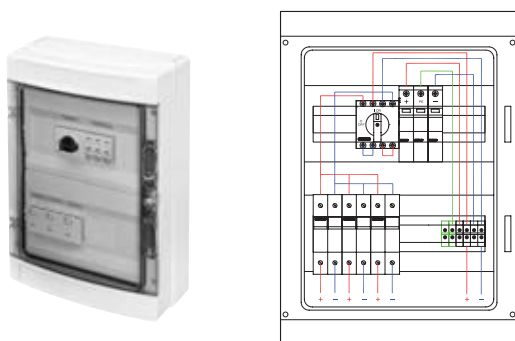
- watertight enclosure
- 1 rotary switch disconnecter 2-pole
- 1 surge protective device with extractable cartridges

TECHNICAL DATA

Standards:	EN 61439-1 and EN 61439-2
No. of modules of 40CDK enclosure:	1x12
Degree of protection:	IP65
Insulation class:	Class II
Rated voltage of the switch disconnecter (Ue):	800V dc
Rated current of the switch disconnecter (In):	20A
Rated operational voltage of the SPD (Un):	1000V dc
Connection cable section:	6mm ²

STRING BOARD EQUIPMENT: cable glands (supplied loose) and equipotential terminal blocks.

3 STRINGS - 1000V DC - 32A GW D9907



Pre-wired board for connecting 3 strings of photovoltaic panels to the inverter. It includes:

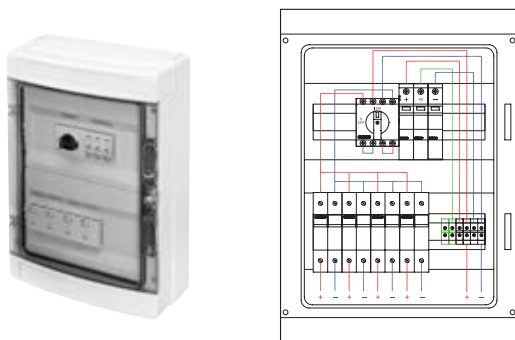
- watertight enclosure
- 1 rotary switch disconnecter 4-pole
- 1 surge protective device with extractable cartridges
- 3 disconnectable fuse-holders

TECHNICAL DATA

Standards:	EN 61439-1 and EN 61439-2
No. of modules of 40CDK enclosure:	2x12
Degree of protection:	IP65
Insulation class:	Class II
Rated voltage of the switch disconnecter (Ue):	1000V dc
Rated current of the switch disconnecter (In):	32A (4 poles in series)
Rated operational voltage of the SPD (Un):	1000V dc
Connection cable section:	6mm ²

STRING BOARD EQUIPMENT: cable glands (supplied loose) and equipotential terminal blocks.
NB: DC fuses not supplied.

4 STRINGS - 1000V DC - 32A GW D9908



Pre-wired board for connecting 4 strings of photovoltaic panels to the inverter. It includes:

- watertight enclosure
- 1 rotary switch disconnecter 4-pole
- 1 surge protective device with extractable cartridges
- 4 disconnectable fuse-holders

TECHNICAL DATA

Standards:	EN 61439-1 and EN 61439-2
No. of modules of 40CDK enclosure:	2x12
Degree of protection:	IP65
Insulation class:	Class II
Rated voltage of the switch disconnecter (Ue):	1000V dc
Rated current of the switch disconnecter (In):	32A (4 poles in series)
Rated operational voltage of the SPD (Un):	1000V dc
Connection cable section:	6mm ²

STRING BOARD EQUIPMENT: cable glands (supplied loose) and equipotential terminal blocks.
NB: DC fuses not supplied.

90 PV RANGE - MODULAR DEVICES IN DIRECT CURRENT

SWITCH DISCONNECTOR



Compact dc switch disconnecter suitable for photovoltaic installation up to 32 A 1000 V dc

TECHNICAL DATA

Standards:	EN 60947-3
Utilization category:	DC21B / DC22B
Rated insulation voltage (Ui):	1000V
Rated impulse withstand voltage (Uimp):	8kV
Operating temperature:	-40 to +65°C
Max. cable section:	16mm ² (rigid) 10mm ² (flexible, also with terminals)

Code	Modules	Poles	Utilization category	Rated operational voltage (Ue)		
				600V dc	800V dc	1000V dc
				Rated operational current (In)		
GW 96 186	3,5	2	DC21B	25A	20A	11A
			DC22B	6A	2,5A	1,5A
GW 96 187	3,5	4	DC21B	32A	32A	32A
			DC22B	27,5A	12,5A	10A

SURGE PROTECTIVE DEVICES LST



Surge protective devices with extractable cartridge suitable for photovoltaic applications up to 1000 V dc

TECHNICAL DATA

Standards:	EN 61643-11
Type:	Type 2 (8/20 μs)
Rated discharge current (In):	20kA
Maximum discharge current (Imax):	40kA
Back-up protection:	if Icc > 100A dc, fuse type gPV ≤ 20A if Icc < 100A dc, protection not necessary

Code	Rated operational voltage (Un)	Maximum continuous operating voltage (Uc)	Voltage protection level at In (Up)	Modules
GW D6 426	600V dc	700V dc	≤ 2,6kV	3
GW D6 428	1000V dc	1170V dc	≤ 4kV	3

SPARE CARTRIDGES

- GW D6 446 suitable for SPD GW D6 426.
- GW D6 448 suitable for SPD GW D6 428.

DISCONNECTABLE FUSE-HOLDER



Fuse-holder for protection and isolation of the photovoltaic strings.

TECHNICAL DATA

Standards:	EN 60947-3
Utilization category:	DC20B
Rated operational voltage (Ue):	1000V dc
Rated current (In):	20A
Max power loss:	3W

Code	Poles	Modules
GW 96 226	1	1
GW 96 227	2	2

FUSES

The fuses are type gPV, as required for photovoltaic applications.



TECHNICAL DATA

Standards:	IEC 60269-6
Dimensions:	10,3x38 mm
Type:	gPV
Rated operational voltage (Ue):	1000V dc
Breaking capacity:	30kA dc

Code	Rated current (In)
GW 72 131	6
GW 72 132	8
GW 72 133	10
GW 72 134	12
GW 72 135	16
GW 72 136	20

90 ReStart

Automatic reclosing devices

In the event the switch trips, the ReStart devices, after checking the system status, restore the power supply thereby ensuring maximum continuity of service in complete safety. Available for both residual current circuit breakers and residual current circuit breakers with overcurrent protection, the range is characterized by the Autotest functions, with periodic and automatic control of the residual current protection without interrupting the power supply and PRO with extended control of the system.



Technical characteristics page 116

RESTART WITH AUTOTEST

RESTART WITH AUTOTEST 2 POLES - VERSIONS COUPLED WITH RCCB'S



GW 90 901 N

AUTOMATIC RECLOSING DEVICES WITH PREVENTIVE CHECK OF THE INSULATION AND AUTOMATIC TEST OF THE RESIDUAL CURRENT CIRCUIT BREAKER



Code	Rated current	Idn	Type of RCCB	Rated voltage	No. of modules EN 50022	Pack Carton
GW 90 901 N	25 A	30 mA	A[IR]	230 V	5	1/4
GW 90 902 N	40 A	30 mA	A[IR]	230 V	5	1/4

CHARACTERISTICS: after RCCB has tripped, ReStart checks the insulation prior to the automatic reclosure.

In the event of a fault (earth leakage), ReStart will not reset the circuit breaker. The integrated configurable auxiliary contact will change state to indicate the automatic reset did not take place.

NOTE: the Autotest function automatically and periodically (every 28 days) tests the RCCB, without interrupting the electric power supply, thus maintaining the performance of the residual current protection over time.

230 V ac power supply, phase-neutral.

RCCB's type A[IR] Impulse Resistant presents greater resistance to untimely tripping in comparison to standard residual current circuit breakers. Immunity level 8/20µs: 3000A for IR type, 250A for standard type.



GW 90 911

AUTOMATIC RECLOSING DEVICES WITH PREVENTIVE CHECK OF THE INSULATION AND AUTOMATIC TEST OF THE RESIDUAL CURRENT CIRCUIT BREAKER - PRO VERSION



Code	Rated current	Idn	Type of RCCB	Rated voltage	No. of modules EN 50022	Pack Carton
GW 90 911	25 A	30 mA	A[IR]	230 V	5	1/4
GW 90 912	40 A	30 mA	A[IR]	230 V	5	1/4
GW 90 913	63 A	30 mA	A[IR]	230 V	5	1/4

CHARACTERISTICS: after RCCB has tripped, ReStart checks the insulation prior to the automatic reclosure. In the event of a fault (earth leakage), ReStart will not reset the circuit breaker but will continue to monitor the circuit every 2 minutes reclosing the circuit breaker when safe to do so. In the meantime the integrated configurable auxiliary contact will change state to indicate that the automatic reset did not take place.

NOTE: the Autotest function automatically and periodically (every 28 days) tests the RCCB, without interrupting the electric supply this maintaining the performance of the residual current protection over time.

230 V ac power supply, phase-neutral.

RCCB's type A[IR] Impulse Resistant presents greater resistance to untimely tripping in comparison to standard residual current circuit breakers.

Immunity level 8/20µs: 3000A for IR type, 250A for standard type.

APPLICATIONS: due to the prolonged control over time and the lower control threshold for the insulation, the PRO version is recommended for extensive electrical systems, that are dated or subject to critical ambient conditions (e.g. humidity) that can even temporarily lower the system's insulation level.

RESTART WITH AUTOTEST 4 POLES - VERSIONS COUPLED WITH RCCB'S



GW 90 921

AUTOMATIC RECLOSING DEVICES WITH PREVENTIVE CHECK OF THE INSULATION AND AUTOMATIC TEST OF THE RESIDUAL CURRENT CIRCUIT BREAKER - PRO VERSION



Code	Rated current	I _{dn}	Type of RCCB	Rated voltage	No. of modules EN 50022	Pack Carton
GW 90 921	25 A	30 mA	A[IR]	400 V	7	1/2
GW 90 922	40 A	30 mA	A[IR]	400 V	7	1/2
GW 90 923	63 A	30 mA	A[IR]	400 V	7	1/2
GW 90 927	25 A	300 mA	A[IR]	400 V	7	1/2
GW 90 928	40 A	300 mA	A[IR]	400 V	7	1/2
GW 90 929	63 A	300 mA	A[IR]	400 V	7	1/2

CHARACTERISTICS: after RCCB has tripped, ReStart checks the insulation prior to the automatic reclosure. In the event of a fault (earth leakage), ReStart will not reset the circuit breaker but will continue to monitor the circuit every 2 minutes reclosing the circuit breaker when safe to do so. In the meantime the integrated configurable auxiliary contact will change state to indicate that the automatic reset did not take place.

NOTE: the Autotest function automatically and periodically (every 28 days) tests the RCCB without interrupting the electric power supply, thus maintaining the performance of the residual current protection over time.

RCCB's type A[IR] Impulse Resistant presents greater resistance to untimely tripping in comparison to standard residual current circuit breakers. Immunity level 8/20µs: 3000A for IR type, 250A for standard type.

RESTART RD

RESTART RD 2 POLES - VERSIONS COUPLED WITH RCCB'S



GW 94 817 R

AUTOMATIC RECLOSING DEVICES WITH PREVENTIVE CHECK OF THE INSULATION



Code	Rated current	Idn	Type of RCCB	Rated voltage	No. of modules EN 50022	Pack Carton
GW 94 817 R	25 A	30 mA	A	230 V	4	1/4
GW 94 827 R	40 A	30 mA	A	230 V	4	1/4
GW 94 837 R	63 A	30 mA	A	230 V	4	1/4
GW 95 651 R	25 A	30 mA	A[IR]	230 V	4	1/4
GW 95 656 R	40 A	30 mA	A[IR]	230 V	4	1/4
GW 95 661 R	63 A	30 mA	A[IR]	230 V	4	1/4

CHARACTERISTICS: after RCCB has tripped, ReStart checks the insulation prior to the automatic reclosure. In the event of a fault (earth leakage), ReStart will not reset the circuit breaker.

NOTE: the ARD must be supplied at 230 V ac phase-neutral.

RCCB's type A[IR] Impulse Resistant presents greater resistance to untimely tripping in comparison to standard residual current circuit breakers. Immunity level 8/20µs: 3000A for IR type, 250A for standard type.



GW 94 827 P

AUTOMATIC RECLOSING DEVICES WITH PREVENTIVE CHECK OF THE INSULATION - PRO VERSION



Code	Rated current	Idn	Type of RCCB	Rated voltage	No. of modules EN 50022	Pack Carton
GW 94 817 P	25 A	30 mA	A	230 V	4	1/4
GW 94 827 P	40 A	30 mA	A	230 V	4	1/4
GW 94 837 P	63 A	30 mA	A	230 V	4	1/4
GW 95 651 P	25 A	30 mA	A[IR]	230 V	4	1/4
GW 95 656 P	40 A	30 mA	A[IR]	230 V	4	1/4
GW 95 661 P	63 A	30 mA	A[IR]	230 V	4	1/4
GW 94 828 P	40 A	100 mA	A	230 V	4	1/4
GW 94 838 P	63 A	100 mA	A	230 V	4	1/4
GW 94 819 P	25 A	300 mA	A	230 V	4	1/4
GW 94 829 P	40 A	300 mA	A	230 V	4	1/4
GW 94 839 P	63 A	300 mA	A	230 V	4	1/4
GW 94 924 P	40 A	300 mA	A[S]	230 V	4	1/4
GW 94 934 P	63 A	300 mA	A[S]	230 V	4	1/4
GW 94 830 P	40 A	500 mA	A	230 V	4	1/4
GW 94 840 P	63 A	500 mA	A	230 V	4	1/4

CHARACTERISTICS: after RCCB has tripped, ReStart checks the insulation prior to the automatic reclosure. In the event of a fault (earth leakage), ReStart will not reset the circuit breaker but will continue to monitor the circuit every 2 minutes reclosing the circuit breaker when safe to do so. In the meantime the integrated configurable auxiliary contact will change state to indicate the automatic reset did not take place.

NOTE: the ARD must be supplied at 230 V ac phase-neutral.

RCCB's type A[IR] Impulse Resistant presents greater resistance to untimely tripping in comparison to standard residual current circuit breakers. Immunity level 8/20µs: 3000A for IR type, 250A for standard type.

APPLICATIONS: due to the prolonged control over time and the lower control threshold for the insulation, the PRO version is recommended for extensive electrical systems, that are dated or subject to critical ambient conditions (e.g. humidity) that can even temporarily lower the system's insulation level.

RESTART RD 4 POLES - VERSIONS TO BE COUPLED WITH RCCB'S SD



GW 90 966

AUTOMATIC RECLOSING DEVICES WITH PREVENTIVE CHECK OF THE INSULATION - PRO VERSION



Code	Suitable for	Rated voltage	No. of modules EN 50022	Pack Carton
GW 90 966	RCCB's SD - 2P/4P up to 100 A - 30 mA	230 V	3	1/4
GW 90 968	RCCB's SD - 2P/4P up to 100 A - 100/300/500 mA	230 V	3	1/4

CHARACTERISTICS: after RCCB has tripped, ReStart checks the insulation prior to the automatic reclosure. In the event of a fault (earth leakage), ReStart will not reset the circuit breaker but will continue to monitor the circuit every 2 minutes reclosing the circuit breaker when safe to do so. In the meantime the integrated configurable auxiliary contact will change state to indicate that the automatic reset did not take place.

NOTE: the ARD must be supplied at 230 V ac phase-neutral.

90 ReStart

RESTART RM

RESTART RM 2 POLES - VERSIONS COUPLED WITH COMPACT RCBO'S MDC



GW 94 225 R

AUTOMATIC RECLOSING DEVICES WITH PREVENTIVE CHECK OF THE INSULATION AND OF THE SHORT CIRCUIT



Code	Rated current	Idn	Type of RCBO	Curve	Rated voltage	No. of modules EN 50022	Pack Carton
Breaking capacity (EN 61009-1): 4500 A							
GW 94 225 R	6 A	30 mA	A	C	230 V	4	1/4
GW 94 226 R	10 A	30 mA	A	C	230 V	4	1/4
GW 94 231 R	13 A	30 mA	A	C	230 V	4	1/4
GW 94 227 R	16 A	30 mA	A	C	230 V	4	1/4
GW 94 228 R	20 A	30 mA	A	C	230 V	4	1/4
GW 94 229 R	25 A	30 mA	A	C	230 V	4	1/4
GW 94 230 R	32 A	30 mA	A	C	230 V	4	1/4
Breaking capacity (EN 61009-1): 6000 A							
GW 94 325 R	6 A	30 mA	A	C	230 V	4	1/4
GW 94 326 R	10 A	30 mA	A	C	230 V	4	1/4
GW 94 331 R	13 A	30 mA	A	C	230 V	4	1/4
GW 94 327 R	16 A	30 mA	A	C	230 V	4	1/4
GW 94 328 R	20 A	30 mA	A	C	230 V	4	1/4
GW 94 329 R	25 A	30 mA	A	C	230 V	4	1/4
GW 94 330 R	32 A	30 mA	A	C	230 V	4	1/4
GW 95 805 R	6 A	30 mA	A[IR]	C	230 V	4	1/4
GW 95 806 R	10 A	30 mA	A[IR]	C	230 V	4	1/4
GW 95 811 R	13 A	30 mA	A[IR]	C	230 V	4	1/4
GW 95 807 R	16 A	30 mA	A[IR]	C	230 V	4	1/4
GW 95 808 R	20 A	30 mA	A[IR]	C	230 V	4	1/4
GW 95 809 R	25 A	30 mA	A[IR]	C	230 V	4	1/4
GW 95 810 R	32 A	30 mA	A[IR]	C	230 V	4	1/4

CHARACTERISTICS: after RCBO has tripped, ReStart checks the insulation and the short circuit prior to the automatic reclosure. In the event of a fault (earth leakage or short circuit), ReStart will not reset the circuit breaker.

NOTE: the ARD must be supplied at 230 V ac phase-neutral.

RCBO's type A[IR] Impulse Resistant presents greater resistance to untimely tripping in comparison to standard residual current circuit breaker with overcurrent protection. Immunity level 8/20µs: 3000A for IR type, 250A for standard type.



GW 94 325 P

AUTOMATIC RECLOSING DEVICES WITH PREVENTIVE CHECK OF THE INSULATION AND OF THE SHORT CIRCUIT - PRO VERSION



Code	Rated current	Idn	Type of RCBO	Curve	Rated voltage	No. of modules EN 50022	Pack Carton
Breaking capacity (EN 61009-1): 6000 A							
GW 94 325 P	6 A	30 mA	A	C	230 V	4	1/4
GW 94 326 P	10 A	30 mA	A	C	230 V	4	1/4
GW 94 331 P	13 A	30 mA	A	C	230 V	4	1/4
GW 94 327 P	16 A	30 mA	A	C	230 V	4	1/4
GW 94 328 P	20 A	30 mA	A	C	230 V	4	1/4
GW 94 329 P	25 A	30 mA	A	C	230 V	4	1/4
GW 94 330 P	32 A	30 mA	A	C	230 V	4	1/4
GW 94 335 P	6 A	300 mA	A	C	230 V	4	1/4
GW 94 336 P	10 A	300 mA	A	C	230 V	4	1/4
GW 94 337 P	16 A	300 mA	A	C	230 V	4	1/4
GW 94 338 P	20 A	300 mA	A	C	230 V	4	1/4
GW 94 339 P	25 A	300 mA	A	C	230 V	4	1/4
GW 94 340 P	32 A	300 mA	A	C	230 V	4	1/4
GW 95 847 P	16 A	300 mA	A[S]	C	230 V	4	1/4
GW 95 848 P	20 A	300 mA	A[S]	C	230 V	4	1/4
GW 95 849 P	25 A	300 mA	A[S]	C	230 V	4	1/4
GW 95 850 P	32 A	300 mA	A[S]	C	230 V	4	1/4

CHARACTERISTICS: after RCBO has tripped, ReStart checks the insulation and the short circuit prior to the automatic reclosure. In the event of a fault (earth leakage), ReStart will not reset the circuit breaker but will continue to monitor the circuit every 2 minutes reclosing the circuit breaker when safe to do so. In the meantime the integrated configurable auxiliary contact will change state to indicate the automatic reset did not take place. In the event of a short circuit, ReStart will not reset the circuit breaker.

NOTE: the ARD must be supplied at 230 V ac phase-neutral.

APPLICATIONS: due to the prolonged control over time and the lower control threshold for the insulation, the PRO version is recommended for extensive electrical systems, that are dated or subject to critical ambient conditions (e.g. humidity) that can even temporarily lower the system's insulation level.

RESTART RM 4 POLES - VERSIONS TO BE COUPLED WITH COMPACT RCBO'S MDC



GW 90 988

AUTOMATIC RECLOSING DEVICES WITH PREVENTIVE CHECK OF THE INSULATION AND OF THE SHORT CIRCUIT - PRO VERSION



Code	Suitable for	Rated voltage	No. of modules EN 50022	Pack Carton
GW 90 986	RCBO's MDC - 1P+N/2P/4P - 30 mA	230 V	3	1/4
GW 90 988	RCBO's MDC - 1P+N/2P/4P - 100 and 300 mA	230 V	3	1/4

CHARACTERISTICS: after RCBO has tripped, ReStart checks the insulation and the short circuit prior to the automatic reclosure. In the event of a fault (earth leakage), ReStart will not reset the circuit breaker but will continue to monitor the circuit every 2 minutes reclosing the circuit breaker when safe to do so. In the meantime the integrated configurable auxiliary contact will change state to indicate the automatic reset did not take place. In the event of a short circuit, ReStart will not reset the circuit breaker.

NOTE: the ARD must be supplied at 230 V ac phase-neutral.

RESTART RM TOP - VERSION TO BE COUPLED WITH RCBO'S MDC/MT+BD OR MCB'S MTC/MT



GW 90 893

ADJUSTABLE AUTOMATIC RECLOSING DEVICE WITH/WITHOUT PREVENTIVE CHECK OF THE INSULATION AND/OR OF THE SHORT CIRCUIT

Code	Suitable for	Rated voltage	No. of modules EN 50022	Pack Carton
GW 90 893	RCBO's MDC/MT+BD or MCB's MTC/MT	230 V	4	1/4

CHARACTERISTICS: the Rm TOP ReStart allows to:

- set the reclosing mode (reclosing with system check, reclosing by attempts, remote reclosing and excluded reclosing)
- adapt the insulation threshold in according to the associated circuit breaker
- regulate the reclosing time delay.

The device is equipped with 2 integrated auxiliary contacts of position and/or tripped relay.

NOTE: the ARD must be supplied at 230 V ac phase-neutral.

RESTART CM - MOTOR OPERATING DEVICE TO BE COUPLED WITH RCBO'S MDC/MT+BD OR MCB'S MTC/MT



GW 90 896

MOTOR OPERATING DEVICE WITHOUT PREVENTIVE CONTROL OF THE INSULATION AND OF THE SHORT CIRCUIT

Code	Suitable for	Rated voltage	No. of modules EN 50022	Pack Carton
GW 90 896	RCBO's MDC/MT+BD or MCB's MTC/MT	230 V	2	1/4

CHARACTERISTICS: the device is equipped with 1 integrated auxiliary position contact or tripped relay.

NOTE: the reclosing device must be supplied at 230 V ac phase-neutral.

ELECTRIC AUXILIARY FOR RESTART DEVICES



GW 96 014

SHUNT TRIP RELEASE WITH SIMULTANEOUS RECLOSING

Code	Suitable for	Rated voltage	No. of modules EN 50022	Pack Carton
GW 96 014	ReStart RM TOP/Restart CM	230 V ac	1	1/6

CHARACTERISTICS: when the circuit breaker trips, thanks to GW96014, it can be reclosed remotely by means the ReStart RM TOP or the motor operating ReStart CM, even before the shunt trip release has been reclosed. ReStart RM TOP and ReStart CM activate a remote reclosing of both the circuit breaker lever and the shunt trip release lever simultaneously.

APPLICATIONS: it is used to cause the remote opening of the circuit breaker coupled with the ReStart RM TOP or the motor operating ReStart CM. When using a release associated with ReStart RM TOP, pay attention to the system control and reclose logic set on the ReStart RM TOP.

NOTE: when using a ReStart RM TOP, the shunt trip release must be placed between the ReStart RM TOP device and the circuit breaker.

When using a ReStart CM, the shunt trip release must be placed to the left of the ReStart CM device. A position auxiliary contact or a fault indication switch can also be added to the left of the release GW96014.

ACCESSORY FOR RESTART DEVICES



GW 90 992

BUS RS485 COMMUNICATION INTERFACE MODULE

Code	Suitable for	No. of modules EN 50022	Pack Carton
GW 90 992	ReStart Autotest 2P-4P/ReStart RD PRO 4P/ReStart RM PRO 4P	1	1

CHARACTERISTICS: the BUS module, by means software available on www.GEWISS.com website, allows to:

- monitor the status of circuit breaker coupled with ReStart
- control Autotest fuunction remotely
- manage automatic reclosing function remotely

APPLICATIONS: it allows the installation of ReStart device in monitoring systems with BUS RS485 communication protocol.

NOTE: the BUS module is only suitable for ReStart devices equipped with BUS integrated connector.

90 MCB

Modular circuit breakers for circuit protection

The 90 MCB range meets any requirement for protection against overcurrent and short-circuit, for all domestic, commercial and industrial applications.

The range comprises MTC, compact miniature circuit breakers (from 2 to 32 A, curves B and C up to 10 kA) MT traditional miniature circuit breakers (from 1 to 63 A, curves B, C and D up to 25 kA) MTHP High-Power Miniature circuit breakers (from 20 to 125 A, curves C and D up to 25 kA).



Technical characteristics page 120

MTC - COMPACT MINIATURE CIRCUIT BREAKERS

MTC 45 - C CURVE - 4500 A (EN 60898) - 4.5 KA (EN 60947-2)

BREAKING CAPACITY 1P		
230V	EN60898 Icn	EN60947-2 Icu
In=6÷32 A	4500 A	4,5 kA

BREAKING CAPACITY 1P+N-2-3-4P		
230V	EN60898 Icn	EN60947-2 Icu
In=2÷32 A	4500 A	6 kA

BREAKING CAPACITY 3-4P		
400V	EN60898 Icn	EN60947-2 Icu
In=6÷32 A	4500 A	4,5 kA



GW 90 046

COMPACT MINIATURE CIRCUIT BREAKERS

Code	Rated current	Rated voltage	No. of modules EN 50022	Pack Carton
No. of poles: 1P				
GW 90 005	6 A	230 V	1	6/24
GW 90 006	10 A	230 V	1	6/24
GW 90 011	13 A	230 V	1	6/24
GW 90 007	16 A	230 V	1	6/24
GW 90 008	20 A	230 V	1	6/24
GW 90 009	25 A	230 V	1	6/24
GW 90 010	32 A	230 V	1	6/24
No. of poles: 1P+N				
GW 90 022	2 A	230 V	1	6/24
GW 90 025	6 A	230 V	1	6/24
GW 90 026	10 A	230 V	1	6/24
GW 90 031	13 A	230 V	1	6/24
GW 90 027	16 A	230 V	1	6/24
GW 90 028	20 A	230 V	1	6/24
GW 90 029	25 A	230 V	1	6/24
GW 90 030	32 A	230 V	1	6/24
No. of poles: 1P+N (N-conductor left)				
GW 90 602	2 A	230 V	1	6/24
GW 90 605	6 A	230 V	1	6/24
GW 90 606	10 A	230 V	1	6/24
GW 90 607	16 A	230 V	1	6/24
GW 90 608	20 A	230 V	1	6/24
GW 90 609	25 A	230 V	1	6/24
GW 90 610	32 A	230 V	1	6/24
No. of poles: 2P				
GW 90 045	6 A	230 V	1	6/24
GW 90 046	10 A	230 V	1	6/24
GW 90 051	13 A	230 V	1	6/24
GW 90 047	16 A	230 V	1	6/24
GW 90 048	20 A	230 V	1	6/24
GW 90 049	25 A	230 V	1	6/24
GW 90 050	32 A	230 V	1	6/24
No. of poles: 3P				
GW 90 065	6 A	230-400 V	2	3/12
GW 90 066	10 A	230-400 V	2	3/12
GW 90 071	13 A	230-400 V	2	3/12
GW 90 067	16 A	230-400 V	2	3/12
GW 90 068	20 A	230-400 V	2	3/12
GW 90 069	25 A	230-400 V	2	3/12
GW 90 070	32 A	230-400 V	2	3/12

to be continued on next page

90 MCB



GW 90 046

(CONTINUE)
COMPACT MINIATURE CIRCUIT BREAKERS

Code	Rated current	Rated voltage	No. of modules EN 50022	Pack Carton
No. of poles: 4P				
GW 90 085	6 A	230-400 V	2	3/12
GW 90 086	10 A	230-400 V	2	3/12
GW 90 091	13 A	230-400 V	2	3/12
GW 90 087	16 A	230-400 V	2	3/12
GW 90 088	20 A	230-400 V	2	3/12
GW 90 089	25 A	230-400 V	2	3/12
GW 90 090	32 A	230-400 V	2	3/12

MTC 60 - C CURVE - 6000 A (EN 60898) - 6 KA (EN 60947-2)

BREAKING CAPACITY 1P+N-2-3-4P		
230V	EN60898	EN60947-2
Im=6-32 A	6000 A	7,5 kA

BREAKING CAPACITY 3-4P		
400V	EN60898	EN60947-2
Im=6-32 A	6000 A	6 kA



GW 90 290

COMPACT MINIATURE CIRCUIT BREAKERS

Code	Rated current	Rated voltage	No. of modules EN 50022	Pack Carton
No. of poles: 1P+N				
GW 90 225	6 A	230 V	1	6/24
GW 90 226	10 A	230 V	1	6/24
GW 90 231	13 A	230 V	1	6/24
GW 90 227	16 A	230 V	1	6/24
GW 90 228	20 A	230 V	1	6/24
GW 90 229	25 A	230 V	1	6/24
GW 90 230	32 A	230 V	1	6/24
No. of poles: 2P				
GW 90 245	6 A	230 V	1	6/24
GW 90 246	10 A	230 V	1	6/24
GW 90 251	13 A	230 V	1	6/24
GW 90 247	16 A	230 V	1	6/24
GW 90 248	20 A	230 V	1	6/24
GW 90 249	25 A	230 V	1	6/24
GW 90 250	32 A	230 V	1	6/24
No. of poles: 3P				
GW 90 265	6 A	230-400 V	2	3/12
GW 90 266	10 A	230-400 V	2	3/12
GW 90 271	13 A	230-400 V	2	3/12
GW 90 267	16 A	230-400 V	2	3/12
GW 90 268	20 A	230-400 V	2	3/12
GW 90 269	25 A	230-400 V	2	3/12
GW 90 270	32 A	230-400 V	2	3/12
No. of poles: 4P				
GW 90 285	6 A	230-400 V	2	3/12
GW 90 286	10 A	230-400 V	2	3/12
GW 90 291	13 A	230-400 V	2	3/12
GW 90 287	16 A	230-400 V	2	3/12
GW 90 288	20 A	230-400 V	2	3/12
GW 90 289	25 A	230-400 V	2	3/12
GW 90 290	32 A	230-400 V	2	3/12

MTC 60 - B CURVE - 6000 A (EN 60898) - 7,5 KA (EN 60947-2)

BREAKING CAPACITY 1P+N-2P		
230V	EN60898 I _{cn}	EN60947-2 I _{cn}
I _n =6÷32 A	6000 A	7,5 kA



GW 90 326

COMPACT MINIATURE CIRCUIT BREAKERS

Code	Rated current	Rated voltage	No. of modules EN 50022	Pack Carton
No. of poles: 1P+N				
GW 90 325	6 A	230 V	1	6/24
GW 90 326	10 A	230 V	1	6/24
GW 90 327	13 A	230 V	1	6/24
GW 90 328	16 A	230 V	1	6/24
GW 90 329	20 A	230 V	1	6/24
GW 90 330	25 A	230 V	1	6/24
GW 90 331	32 A	230 V	1	6/24
No. of poles: 2P				
GW 90 345	6 A	230 V	1	6/24
GW 90 346	10 A	230 V	1	6/24
GW 90 347	13 A	230 V	1	6/24
GW 90 348	16 A	230 V	1	6/24
GW 90 349	20 A	230 V	1	6/24
GW 90 350	25 A	230 V	1	6/24
GW 90 351	32 A	230 V	1	6/24

MTC 100 - C CURVE - 10000 A (EN 60898) - 10 KA (EN 60947-2)

BREAKING CAPACITY 1P+N-2P		
230V	EN60898 I _{cn}	EN60947-2 I _{cn}
I _n =6÷32 A	10000 A	10 kA



GW 90 446

COMPACT MINIATURE CIRCUIT BREAKERS

Code	Rated current	Rated voltage	No. of modules EN 50022	Pack Carton
No. of poles: 1P+N				
GW 90 425	6 A	230 V	1	6/24
GW 90 426	10 A	230 V	1	6/24
GW 90 431	13 A	230 V	1	6/24
GW 90 427	16 A	230 V	1	6/24
GW 90 428	20 A	230 V	1	6/24
GW 90 429	25 A	230 V	1	6/24
GW 90 430	32 A	230 V	1	6/24
No. of poles: 2P				
GW 90 445	6 A	230 V	1	6/24
GW 90 446	10 A	230 V	1	6/24
GW 90 451	13 A	230 V	1	6/24
GW 90 447	16 A	230 V	1	6/24
GW 90 448	20 A	230 V	1	6/24
GW 90 449	25 A	230 V	1	6/24
GW 90 450	32 A	230 V	1	6/24

MT - MINIATURE CIRCUIT BREAKERS

MT 45 - C CURVE - 4500 A (EN 60898) - 6 KA (EN 60947-2)

BREAKING CAPACITY 1P, 1P+N		
230V	EN60898	EN60947-2
In	In	In
In=6-40 A	4500 A	6 kA

BREAKING CAPACITY 2-3-4P		
230V	EN60898	EN60947-2
In	In	In
In=6-40 A	4500 A	6 kA



GW 92 149

MINIATURE CIRCUIT BREAKERS

Code	Rated current	Rated voltage	No. of modules EN 50022	Pack Carton
No. of poles: 1P				
GW 92 105	6 A	230 V	1	6/24
GW 92 106	10 A	230 V	1	6/24
GW 92 107	13 A	230 V	1	6/24
GW 92 108	16 A	230 V	1	6/24
GW 92 109	20 A	230 V	1	6/24
GW 92 110	25 A	230 V	1	6/24
GW 92 111	32 A	230 V	1	6/24
GW 92 112	40 A	230 V	1	6/24
No. of poles: 1P+N				
GW 92 125	6 A	230 V	2	3/12
GW 92 126	10 A	230 V	2	3/12
GW 92 127	13 A	230 V	2	3/12
GW 92 128	16 A	230 V	2	3/12
GW 92 129	20 A	230 V	2	3/12
GW 92 130	25 A	230 V	2	3/12
GW 92 131	32 A	230 V	2	3/12
GW 92 132	40 A	230 V	2	3/12
No. of poles: 2P				
GW 92 145	6 A	230-400 V	2	3/12
GW 92 146	10 A	230-400 V	2	3/12
GW 92 147	13 A	230-400 V	2	3/12
GW 92 148	16 A	230-400 V	2	3/12
GW 92 149	20 A	230-400 V	2	3/12
GW 92 150	25 A	230-400 V	2	3/12
GW 92 151	32 A	230-400 V	2	3/12
GW 92 152	40 A	230-400 V	2	3/12
No. of poles: 3P				
GW 92 165	6 A	230-400 V	3	2/8
GW 92 166	10 A	230-400 V	3	2/8
GW 92 167	13 A	230-400 V	3	2/8
GW 92 168	16 A	230-400 V	3	2/8
GW 92 169	20 A	230-400 V	3	2/8
GW 92 170	25 A	230-400 V	3	2/8
GW 92 171	32 A	230-400 V	3	2/8
GW 92 172	40 A	230-400 V	3	2/8
No. of poles: 4P				
GW 92 185	6 A	230-400 V	4	1/3
GW 92 186	10 A	230-400 V	4	1/3
GW 92 187	13 A	230-400 V	4	1/3
GW 92 188	16 A	230-400 V	4	1/3
GW 92 189	20 A	230-400 V	4	1/3
GW 92 190	25 A	230-400 V	4	1/3
GW 92 191	32 A	230-400 V	4	1/3
GW 92 192	40 A	230-400 V	4	1/3

MT 45 - B CURVE - 4500 A (EN 60898) - 6 KA (EN 60947-2)

BREAKING CAPACITY 1P, 1P+N		
230V	EN60898 I _{cn}	EN60947-2 I _{cs}
I _n =6-40 A	4500 A	6 kA

BREAKING CAPACITY 2-3-4P		
230V 400V	EN60898 I _{cn}	EN60947-2 I _{cs}
I _n =6-40 A	4500 A	6 kA



GW 92 371

MINIATURE CIRCUIT BREAKERS

Code	Rated current	Rated voltage	No. of modules EN 50022	Pack Carton
No. of poles: 1P				
GW 92 305	6 A	230 V	1	6/24
GW 92 306	10 A	230 V	1	6/24
GW 92 307	13 A	230 V	1	6/24
GW 92 308	16 A	230 V	1	6/24
GW 92 309	20 A	230 V	1	6/24
GW 92 310	25 A	230 V	1	6/24
GW 92 311	32 A	230 V	1	6/24
GW 92 312	40 A	230 V	1	6/24
No. of poles: 1P+N				
GW 92 325	6 A	230 V	2	3/12
GW 92 326	10 A	230 V	2	3/12
GW 92 327	13 A	230 V	2	3/12
GW 92 328	16 A	230 V	2	3/12
GW 92 329	20 A	230 V	2	3/12
GW 92 330	25 A	230 V	2	3/12
GW 92 331	32 A	230 V	2	3/12
GW 92 332	40 A	230 V	2	3/12
No. of poles: 2P				
GW 92 345	6 A	230-400 V	2	3/12
GW 92 346	10 A	230-400 V	2	3/12
GW 92 347	13 A	230-400 V	2	3/12
GW 92 348	16 A	230-400 V	2	3/12
GW 92 349	20 A	230-400 V	2	3/12
GW 92 350	25 A	230-400 V	2	3/12
GW 92 351	32 A	230-400 V	2	3/12
GW 92 352	40 A	230-400 V	2	3/12
No. of poles: 3P				
GW 92 365	6 A	230-400 V	3	2/8
GW 92 366	10 A	230-400 V	3	2/8
GW 92 367	13 A	230-400 V	3	2/8
GW 92 368	16 A	230-400 V	3	2/8
GW 92 369	20 A	230-400 V	3	2/8
GW 92 370	25 A	230-400 V	3	2/8
GW 92 371	32 A	230-400 V	3	2/8
GW 92 372	40 A	230-400 V	3	2/8
No. of poles: 4P				
GW 92 385	6 A	230-400 V	4	1/3
GW 92 386	10 A	230-400 V	4	1/3
GW 92 387	13 A	230-400 V	4	1/3
GW 92 388	16 A	230-400 V	4	1/3
GW 92 389	20 A	230-400 V	4	1/3
GW 92 390	25 A	230-400 V	4	1/3
GW 92 391	32 A	230-400 V	4	1/3
GW 92 392	40 A	230-400 V	4	1/3

MT 60 - C CURVE - 6000 A (EN 60898) - 10 KA (EN 60947-2)

BREAKING CAPACITY 1P, 1P+N		
230V	EN60898 Icn	EN60947-2 Icu
In=1+63 A	6000 A	10 kA

BREAKING CAPACITY 2-3-4P		
230V	EN60898 Icn	EN60947-2 Icu
In=1+63 A	6000 A	20 kA

BREAKING CAPACITY 2-3-4P		
400V	EN60898 Icn	EN60947-2 Icu
In=1+63 A	6000 A	10 kA



GW 92 048

MINIATURE CIRCUIT BREAKERS

Code	Rated current	Rated voltage	No. of modules EN 50022	Pack Carton
No. of poles: 1P				
GW 92 001	1 A	230 V	1	6/24
GW 92 002	2 A	230 V	1	6/24
GW 92 003	3 A	230 V	1	6/24
GW 92 004	4 A	230 V	1	6/24
GW 92 005	6 A	230 V	1	6/24
GW 92 006	10 A	230 V	1	6/24
GW 92 014	13 A	230 V	1	6/24
GW 92 007	16 A	230 V	1	6/24
GW 92 008	20 A	230 V	1	6/24
GW 92 009	25 A	230 V	1	6/24
GW 92 010	32 A	230 V	1	6/24
GW 92 011	40 A	230 V	1	6/24
GW 92 012	50 A	230 V	1	6/24
GW 92 013	63 A	230 V	1	6/24
No. of poles: 1P+N				
GW 92 021	1 A	230 V	2	3/12
GW 92 022	2 A	230 V	2	3/12
GW 92 023	3 A	230 V	2	3/12
GW 92 024	4 A	230 V	2	3/12
GW 92 025	6 A	230 V	2	3/12
GW 92 026	10 A	230 V	2	3/12
GW 92 034	13 A	230 V	2	3/12
GW 92 027	16 A	230 V	2	3/12
GW 92 028	20 A	230 V	2	3/12
GW 92 029	25 A	230 V	2	3/12
GW 92 030	32 A	230 V	2	3/12
GW 92 031	40 A	230 V	2	3/12
GW 92 032	50 A	230 V	2	3/12
GW 92 033	63 A	230 V	2	3/12
No. of poles: 2P				
GW 92 041	1 A	230-400 V	2	3/12
GW 92 042	2 A	230-400 V	2	3/12
GW 92 043	3 A	230-400 V	2	3/12
GW 92 044	4 A	230-400 V	2	3/12
GW 92 045	6 A	230-400 V	2	3/12
GW 92 046	10 A	230-400 V	2	3/12
GW 92 054	13 A	230-400 V	2	3/12
GW 92 047	16 A	230-400 V	2	3/12
GW 92 048	20 A	230-400 V	2	3/12
GW 92 049	25 A	230-400 V	2	3/12
GW 92 050	32 A	230-400 V	2	3/12
GW 92 051	40 A	230-400 V	2	3/12
GW 92 052	50 A	230-400 V	2	3/12
GW 92 053	63 A	230-400 V	2	3/12
No. of poles: 3P				
GW 92 061	1 A	230-400 V	3	2/8
GW 92 062	2 A	230-400 V	3	2/8
GW 92 063	3 A	230-400 V	3	2/8
GW 92 064	4 A	230-400 V	3	2/8
GW 92 065	6 A	230-400 V	3	2/8
GW 92 066	10 A	230-400 V	3	2/8
GW 92 074	13 A	230-400 V	3	2/8
GW 92 067	16 A	230-400 V	3	2/8
GW 92 068	20 A	230-400 V	3	2/8
GW 92 069	25 A	230-400 V	3	2/8
GW 92 070	32 A	230-400 V	3	2/8
GW 92 071	40 A	230-400 V	3	2/8
GW 92 072	50 A	230-400 V	3	2/8
GW 92 073	63 A	230-400 V	3	2/8

to be continued on next page



GW 92 048

(CONTINUE)

MINIATURE CIRCUIT BREAKERS

Code	Rated current	Rated voltage	No. of modules EN 50022	Pack Carton
No. of poles: 4P				
GW 92 081	1 A	230-400 V	4	1/3
GW 92 082	2 A	230-400 V	4	1/3
GW 92 083	3 A	230-400 V	4	1/3
GW 92 084	4 A	230-400 V	4	1/3
GW 92 085	6 A	230-400 V	4	1/3
GW 92 086	10 A	230-400 V	4	1/3
GW 92 094	13 A	230-400 V	4	1/3
GW 92 087	16 A	230-400 V	4	1/3
GW 92 088	20 A	230-400 V	4	1/3
GW 92 089	25 A	230-400 V	4	1/3
GW 92 090	32 A	230-400 V	4	1/3
GW 92 091	40 A	230-400 V	4	1/3
GW 92 092	50 A	230-400 V	4	1/3
GW 92 093	63 A	230-400 V	4	1/3

MT 60 - B CURVE - 6000 A (EN 60898) - 10 KA (EN 60947-2)

BREAKING CAPACITY 1P		
230V	EN60898 Icn	EN60947-2 Icu
In=6+63 A	6000 A	10 kA

BREAKING CAPACITY 2-3-4P		
230V	EN60898 Icn	EN60947-2 Icu
In=6+63 A	6000 A	20 kA

BREAKING CAPACITY 2-3-4P		
400V	EN60898 Icn	EN60947-2 Icu
In=6+63 A	6000 A	10 kA



GW 92 292

MINIATURE CIRCUIT BREAKERS

Code	Rated current	Rated voltage	No. of modules EN 50022	Pack Carton
No. of poles: 1P				
GW 92 205	6 A	230 V	1	6/24
GW 92 206	10 A	230 V	1	6/24
GW 92 214	13 A	230 V	1	6/24
GW 92 207	16 A	230 V	1	6/24
GW 92 208	20 A	230 V	1	6/24
GW 92 209	25 A	230 V	1	6/24
GW 92 210	32 A	230 V	1	6/24
GW 92 211	40 A	230 V	1	6/24
GW 92 212	50 A	230 V	1	6/24
GW 92 213	63 A	230 V	1	6/24
No. of poles: 2P				
GW 92 245	6 A	230-400 V	2	3/12
GW 92 246	10 A	230-400 V	2	3/12
GW 92 254	13 A	230-400 V	2	3/12
GW 92 247	16 A	230-400 V	2	3/12
GW 92 248	20 A	230-400 V	2	3/12
GW 92 249	25 A	230-400 V	2	3/12
GW 92 250	32 A	230-400 V	2	3/12
GW 92 251	40 A	230-400 V	2	3/12
GW 92 252	50 A	230-400 V	2	3/12
GW 92 253	63 A	230-400 V	2	3/12
No. of poles: 3P				
GW 92 265	6 A	230-400 V	3	2/8
GW 92 266	10 A	230-400 V	3	2/8
GW 92 274	13 A	230-400 V	3	2/8
GW 92 267	16 A	230-400 V	3	2/8
GW 92 268	20 A	230-400 V	3	2/8
GW 92 269	25 A	230-400 V	3	2/8
GW 92 270	32 A	230-400 V	3	2/8
GW 92 271	40 A	230-400 V	3	2/8
GW 92 272	50 A	230-400 V	3	2/8
GW 92 273	63 A	230-400 V	3	2/8
No. of poles: 4P				
GW 92 285	6 A	230-400 V	4	1/3
GW 92 286	10 A	230-400 V	4	1/3
GW 92 294	13 A	230-400 V	4	1/3
GW 92 287	16 A	230-400 V	4	1/3
GW 92 288	20 A	230-400 V	4	1/3
GW 92 289	25 A	230-400 V	4	1/3
GW 92 290	32 A	230-400 V	4	1/3
GW 92 291	40 A	230-400 V	4	1/3
GW 92 292	50 A	230-400 V	4	1/3
GW 92 293	63 A	230-400 V	4	1/3

MT 60 - D CURVE - 6000 A (EN 60898) - 10 KA (EN 60947-2)

BREAKING CAPACITY 1P		
230V	EN60898 Icn	EN60947-2 Icu
In=6-40 A	6000 A	10 kA

BREAKING CAPACITY 2-3-4P		
230V	EN60898 Icn	EN60947-2 Icu
In=6-40 A	6000 A	20 kA

BREAKING CAPACITY 2-3-4P		
400V	EN60898 Icn	EN60947-2 Icu
In=6-40 A	6000 A	10 kA



GW 92 470

MINIATURE CIRCUIT BREAKERS

Code	Rated current	Rated voltage	No. of modules EN 50022	Pack Carton
No. of poles: 1P				
GW 92 405	6 A	230 V	1	6/24
GW 92 406	10 A	230 V	1	6/24
GW 92 414	13 A	230 V	1	6/24
GW 92 407	16 A	230 V	1	6/24
GW 92 408	20 A	230 V	1	6/24
GW 92 409	25 A	230 V	1	6/24
GW 92 410	32 A	230 V	1	6/24
GW 92 411	40 A	230 V	1	6/24
No. of poles: 2P				
GW 92 445	6 A	230-400 V	2	3/12
GW 92 446	10 A	230-400 V	2	3/12
GW 92 454	13 A	230-400 V	2	3/12
GW 92 447	16 A	230-400 V	2	3/12
GW 92 448	20 A	230-400 V	2	3/12
GW 92 449	25 A	230-400 V	2	3/12
GW 92 450	32 A	230-400 V	2	3/12
GW 92 451	40 A	230-400 V	2	3/12
No. of poles: 3P				
GW 92 465	6 A	230-400 V	3	2/8
GW 92 466	10 A	230-400 V	3	2/8
GW 92 474	13 A	230-400 V	3	2/8
GW 92 467	16 A	230-400 V	3	2/8
GW 92 468	20 A	230-400 V	3	2/8
GW 92 469	25 A	230-400 V	3	2/8
GW 92 470	32 A	230-400 V	3	2/8
GW 92 471	40 A	230-400 V	3	2/8
No. of poles: 4P				
GW 92 485	6 A	230-400 V	4	1/3
GW 92 486	10 A	230-400 V	4	1/3
GW 92 494	13 A	230-400 V	4	1/3
GW 92 487	16 A	230-400 V	4	1/3
GW 92 488	20 A	230-400 V	4	1/3
GW 92 489	25 A	230-400 V	4	1/3
GW 92 490	32 A	230-400 V	4	1/3
GW 92 491	40 A	230-400 V	4	1/3

90 MCB

MT 100 - C CURVE - 10000 A (EN 60898) - UP TO 15 KA (EN 60947-2)

BREAKING CAPACITY 1P		
230V	EN60898 kA	EN60947-2 kA
In=6+25 A	10000 A	15 kA
In=32+63 A	10000 A	12.5 kA

BREAKING CAPACITY 2P		
230V	EN60898 kA	EN60947-2 kA
In=6+25 A	10000 A	30 kA
In=32+63 A	10000 A	25 kA

BREAKING CAPACITY 2P		
400V	EN60898 kA	EN60947-2 kA
In=6+25 A	10000 A	20 kA
In=32+63 A	10000 A	15 kA

BREAKING CAPACITY 3-4P		
230V	EN60898 kA	EN60947-2 kA
In=6+25 A	10000 A	25 kA
In=32+63 A	10000 A	20 kA

BREAKING CAPACITY 3-4P		
400V	EN60898 kA	EN60947-2 kA
In=6+25 A	10000 A	15 kA
In=32+63 A	10000 A	12.5 kA



GW 92 692

MINIATURE CIRCUIT BREAKERS

Code	Rated current	Rated voltage	No. of modules EN 50022	Pack Carton
No. of poles: 1P				
GW 92 605	6 A	230 V	1	6/24
GW 92 606	10 A	230 V	1	6/24
GW 92 614	13 A	230 V	1	6/24
GW 92 607	16 A	230 V	1	6/24
GW 92 608	20 A	230 V	1	6/24
GW 92 609	25 A	230 V	1	6/24
GW 92 610	32 A	230 V	1	6/24
GW 92 611	40 A	230 V	1	6/24
GW 92 612	50 A	230 V	1	6/24
GW 92 613	63 A	230 V	1	6/24
No. of poles: 2P				
GW 92 645	6 A	230-400 V	2	3/12
GW 92 646	10 A	230-400 V	2	3/12
GW 92 654	13 A	230-400 V	2	3/12
GW 92 647	16 A	230-400 V	2	3/12
GW 92 648	20 A	230-400 V	2	3/12
GW 92 649	25 A	230-400 V	2	3/12
GW 92 650	32 A	230-400 V	2	3/12
GW 92 651	40 A	230-400 V	2	3/12
GW 92 652	50 A	230-400 V	2	3/12
GW 92 653	63 A	230-400 V	2	3/12
No. of poles: 3P				
GW 92 665	6 A	230-400 V	3	2/8
GW 92 666	10 A	230-400 V	3	2/8
GW 92 674	13 A	230-400 V	3	2/8
GW 92 667	16 A	230-400 V	3	2/8
GW 92 668	20 A	230-400 V	3	2/8
GW 92 669	25 A	230-400 V	3	2/8
GW 92 670	32 A	230-400 V	3	2/8
GW 92 671	40 A	230-400 V	3	2/8
GW 92 672	50 A	230-400 V	3	2/8
GW 92 673	63 A	230-400 V	3	2/8
No. of poles: 4P				
GW 92 685	6 A	230-400 V	4	1/3
GW 92 686	10 A	230-400 V	4	1/3
GW 92 694	13 A	230-400 V	4	1/3
GW 92 687	16 A	230-400 V	4	1/3
GW 92 688	20 A	230-400 V	4	1/3
GW 92 689	25 A	230-400 V	4	1/3
GW 92 690	32 A	230-400 V	4	1/3
GW 92 691	40 A	230-400 V	4	1/3
GW 92 692	50 A	230-400 V	4	1/3
GW 92 693	63 A	230-400 V	4	1/3

MT 100 - B CURVE - 10000 A (EN 60898) - UP TO 15 KA (EN 60947-2)

BREAKING CAPACITY 1P		
230V	EN60898 kA	EN60947-2 kA
In=6+25 A	10000 A	15 kA
In=32+63 A	10000 A	12.5 kA

BREAKING CAPACITY 2P		
230V	EN60898 kA	EN60947-2 kA
In=6+25 A	10000 A	30 kA
In=32+63 A	10000 A	25 kA

BREAKING CAPACITY 2P		
400V	EN60898 kA	EN60947-2 kA
In=6+25 A	10000 A	20 kA
In=32+63 A	10000 A	15 kA

BREAKING CAPACITY 3-4P		
230V	EN60898 kA	EN60947-2 kA
In=6+25 A	10000 A	25 kA
In=32+63 A	10000 A	20 kA

BREAKING CAPACITY 3-4P		
400V	EN60898 kA	EN60947-2 kA
In=6+25 A	10000 A	15 kA
In=32+63 A	10000 A	12.5 kA



GW 92 549

MINIATURE CIRCUIT BREAKERS

Code	Rated current	Rated voltage	No. of modules EN 50022	Pack Carton
No. of poles: 1P				
GW 92 505	6 A	230 V	1	6/24
GW 92 506	10 A	230 V	1	6/24
GW 92 507	13 A	230 V	1	6/24
GW 92 508	16 A	230 V	1	6/24
GW 92 509	20 A	230 V	1	6/24
GW 92 510	25 A	230 V	1	6/24
GW 92 511	32 A	230 V	1	6/24
GW 92 512	40 A	230 V	1	6/24
GW 92 513	50 A	230 V	1	6/24
GW 92 514	63 A	230 V	1	6/24
No. of poles: 2P				
GW 92 545	6 A	230-400 V	2	3/12
GW 92 546	10 A	230-400 V	2	3/12
GW 92 547	13 A	230-400 V	2	3/12
GW 92 548	16 A	230-400 V	2	3/12
GW 92 549	20 A	230-400 V	2	3/12
GW 92 550	25 A	230-400 V	2	3/12
GW 92 551	32 A	230-400 V	2	3/12
GW 92 552	40 A	230-400 V	2	3/12
GW 92 553	50 A	230-400 V	2	3/12
GW 92 554	63 A	230-400 V	2	3/12
No. of poles: 3P				
GW 92 565	6 A	230-400 V	3	2/8
GW 92 566	10 A	230-400 V	3	2/8
GW 92 567	13 A	230-400 V	3	2/8
GW 92 568	16 A	230-400 V	3	2/8
GW 92 569	20 A	230-400 V	3	2/8
GW 92 570	25 A	230-400 V	3	2/8
GW 92 571	32 A	230-400 V	3	2/8
GW 92 572	40 A	230-400 V	3	2/8
GW 92 573	50 A	230-400 V	3	2/8
GW 92 574	63 A	230-400 V	3	2/8
No. of poles: 4P				
GW 92 585	6 A	230-400 V	4	1/3
GW 92 586	10 A	230-400 V	4	1/3
GW 92 587	13 A	230-400 V	4	1/3
GW 92 588	16 A	230-400 V	4	1/3
GW 92 589	20 A	230-400 V	4	1/3
GW 92 590	25 A	230-400 V	4	1/3
GW 92 591	32 A	230-400 V	4	1/3
GW 92 592	40 A	230-400 V	4	1/3
GW 92 593	50 A	230-400 V	4	1/3
GW 92 594	63 A	230-400 V	4	1/3

90 MCB

MT 100 - D CURVE - 10000 A (EN 60898) - UP TO 15 KA (EN 60947-2)

BREAKING CAPACITY 1P		
230V	EN60898 kA	EN60947-2 kA
In=1+25 A	10000 A	15 kA
In=32+40 A	10000 A	12.5 kA

BREAKING CAPACITY 2P		
230V	EN60898 kA	EN60947-2 kA
In=1+25 A	10000 A	30 kA
In=32+40 A	10000 A	25 kA

BREAKING CAPACITY 2P		
400V	EN60898 kA	EN60947-2 kA
In=1+25 A	10000 A	20 kA
In=32+40 A	10000 A	15 kA

BREAKING CAPACITY 3-4P		
230V	EN60898 kA	EN60947-2 kA
In=1+25 A	10000 A	25 kA
In=32+40 A	10000 A	20 kA

BREAKING CAPACITY 3-4P		
400V	EN60898 kA	EN60947-2 kA
In=1+25 A	10000 A	15 kA
In=32+40 A	10000 A	12.5 kA



GW 92 770

MINIATURE CIRCUIT BREAKERS

Code	Rated current	Rated voltage	No. of modules EN 50022	Pack Carton
No. of poles: 1P				
GW 92 701	1 A	230 V	1	6/24
GW 92 702	2 A	230 V	1	6/24
GW 92 703	3 A	230 V	1	6/24
GW 92 704	4 A	230 V	1	6/24
GW 92 705	6 A	230 V	1	6/24
GW 92 706	10 A	230 V	1	6/24
GW 92 714	13 A	230 V	1	6/24
GW 92 707	16 A	230 V	1	6/24
GW 92 708	20 A	230 V	1	6/24
GW 92 709	25 A	230 V	1	6/24
GW 92 710	32 A	230 V	1	6/24
GW 92 711	40 A	230 V	1	6/24
No. of poles: 2P				
GW 92 741	1 A	230-400 V	2	3/12
GW 92 742	2 A	230-400 V	2	3/12
GW 92 743	3 A	230-400 V	2	3/12
GW 92 744	4 A	230-400 V	2	3/12
GW 92 745	6 A	230-400 V	2	3/12
GW 92 746	10 A	230-400 V	2	3/12
GW 92 754	13 A	230-400 V	2	3/12
GW 92 747	16 A	230-400 V	2	3/12
GW 92 748	20 A	230-400 V	2	3/12
GW 92 749	25 A	230-400 V	2	3/12
GW 92 750	32 A	230-400 V	2	3/12
GW 92 751	40 A	230-400 V	2	3/12
No. of poles: 3P				
GW 92 761	1 A	230-400 V	3	2/8
GW 92 762	2 A	230-400 V	3	2/8
GW 92 763	3 A	230-400 V	3	2/8
GW 92 764	4 A	230-400 V	3	2/8
GW 92 765	6 A	230-400 V	3	2/8
GW 92 766	10 A	230-400 V	3	2/8
GW 92 774	13 A	230-400 V	3	2/8
GW 92 767	16 A	230-400 V	3	2/8
GW 92 768	20 A	230-400 V	3	2/8
GW 92 769	25 A	230-400 V	3	2/8
GW 92 770	32 A	230-400 V	3	2/8
GW 92 771	40 A	230-400 V	3	2/8
No. of poles: 4P				
GW 92 781	1 A	230-400 V	4	1/3
GW 92 782	2 A	230-400 V	4	1/3
GW 92 783	3 A	230-400 V	4	1/3
GW 92 784	4 A	230-400 V	4	1/3
GW 92 785	6 A	230-400 V	4	1/3
GW 92 786	10 A	230-400 V	4	1/3
GW 92 794	13 A	230-400 V	4	1/3
GW 92 787	16 A	230-400 V	4	1/3
GW 92 788	20 A	230-400 V	4	1/3
GW 92 789	25 A	230-400 V	4	1/3
GW 92 790	32 A	230-400 V	4	1/3
GW 92 791	40 A	230-400 V	4	1/3

MT 250 - C CURVE - 25000 A (EN 60898) - UP TO 25 KA (EN 60947-2)

BREAKING CAPACITY 1P		
230V	EN60898 Icn	EN60947-2 Icu
In=6-20 A	25000 A	25 kA
In=25 A	20000 A	20 kA
In=32+40 A	15000 A	15 kA
In=50+63 A	12500 A	15 kA

BREAKING CAPACITY 2P		
230V	EN60898 Icn	EN60947-2 Icu
In=6+20 A	25000 A	50 kA
In=25 A	25000 A	40 kA
In=32+40 A	25000 A	30 kA
In=50+63 A	25000 A	25 kA

BREAKING CAPACITY 2P		
400V	EN60898 Icn	EN60947-2 Icu
In=6+20 A	25000 A	30 kA
In=25 A	25000 A	25 kA
In=32+40 A	20000 A	20 kA
In=50+63 A	15000 A	15 kA

BREAKING CAPACITY 3-4P		
230V	EN60898 Icn	EN60947-2 Icu
In=6+20 A	25000 A	40 kA
In=25 A	25000 A	30 kA
In=32+40 A	25000 A	25 kA
In=50+63 A	20000 A	20 kA

BREAKING CAPACITY 3-4P		
400V	EN60898 Icn	EN60947-2 Icu
In=6+20 A	25000 A	25 kA
In=25 A	20000 A	20 kA
In=32+40 A	15000 A	15 kA
In=50+63 A	12500 A	15 kA



GW 92 890

MINIATURE CIRCUIT BREAKERS

Code	Rated current	Rated voltage	No. of modules EN 50022	Pack Carton
No. of poles: 1P				
GW 92 805	6 A	230 V	1	6/24
GW 92 806	10 A	230 V	1	6/24
GW 92 807	16 A	230 V	1	6/24
GW 92 808	20 A	230 V	1	6/24
GW 92 809	25 A	230 V	1	6/24
GW 92 810	32 A	230 V	1	6/24
GW 92 811	40 A	230 V	1	6/24
GW 92 812	50 A	230 V	1	6/24
GW 92 813	63 A	230 V	1	6/24
No. of poles: 2P				
GW 92 845	6 A	230-400 V	2	3/12
GW 92 846	10 A	230-400 V	2	3/12
GW 92 847	16 A	230-400 V	2	3/12
GW 92 848	20 A	230-400 V	2	3/12
GW 92 849	25 A	230-400 V	2	3/12
GW 92 850	32 A	230-400 V	2	3/12
GW 92 851	40 A	230-400 V	2	3/12
GW 92 852	50 A	230-400 V	2	3/12
GW 92 853	63 A	230-400 V	2	3/12
No. of poles: 3P				
GW 92 865	6 A	230-400 V	3	2/8
GW 92 866	10 A	230-400 V	3	2/8
GW 92 867	16 A	230-400 V	3	2/8
GW 92 868	20 A	230-400 V	3	2/8
GW 92 869	25 A	230-400 V	3	2/8
GW 92 870	32 A	230-400 V	3	2/8
GW 92 871	40 A	230-400 V	3	2/8
GW 92 872	50 A	230-400 V	3	2/8
GW 92 873	63 A	230-400 V	3	2/8
No. of poles: 4P				
GW 92 885	6 A	230-400 V	4	1/3
GW 92 886	10 A	230-400 V	4	1/3
GW 92 887	16 A	230-400 V	4	1/3
GW 92 888	20 A	230-400 V	4	1/3
GW 92 889	25 A	230-400 V	4	1/3
GW 92 890	32 A	230-400 V	4	1/3
GW 92 891	40 A	230-400 V	4	1/3
GW 92 892	50 A	230-400 V	4	1/3
GW 92 893	63 A	230-400 V	4	1/3

90 MCB

MTHP - HIGH PERFORMANCE MINIATURE CIRCUIT BREAKERS

MTHP 160 - C CURVE - 10000 A (EN 60898) - 16 KA (EN 60947-2)

BREAKING CAPACITY 1P		
230V	EN60898 Icu	EN60947-2 Ics
In=80-125 A	10000 A	16 kA

BREAKING CAPACITY 1P		
400V	EN60898 Icu	EN60947-2 Ics
In=80-125 A	10000 A	4,5 kA

BREAKING CAPACITY 2-3-4P		
230V	EN60898 Icu	EN60947-2 Ics
In=80-125 A	10000 A	20 kA

BREAKING CAPACITY 2-3-4P		
400V	EN60898 Icu	EN60947-2 Ics
In=80-125 A	10000 A	16 kA



GW 93 349

HIGH PERFORMANCE MINIATURE CIRCUIT BREAKERS

Code	Rated current	Rated voltage	No. of modules EN 50022	Pack Carton
No. of poles: 1P				
GW 93 307	80 A	230-400 V	1,5	1/12
GW 93 308	100 A	230-400 V	1,5	1/12
GW 93 309	125 A	230-400 V	1,5	1/12
No. of poles: 2P				
GW 93 327	80 A	230-400 V	3	1/8
GW 93 328	100 A	230-400 V	3	1/8
GW 93 329	125 A	230-400 V	3	1/8
No. of poles: 3P				
GW 93 337	80 A	230-400 V	4,5	1/4
GW 93 338	100 A	230-400 V	4,5	1/4
GW 93 339	125 A	230-400 V	4,5	1/4
No. of poles: 4P				
GW 93 347	80 A	230-400 V	6	1/4
GW 93 348	100 A	230-400 V	6	1/4
GW 93 349	125 A	230-400 V	6	1/4

ACCESSORIES SUPPLIED: kit for multipurpose wiring.

MTHP 160 - D CURVE - 10000 A (EN 60898) - 16 KA (EN 60947-2)

BREAKING CAPACITY 1P		
230V	EN60898 Icu	EN60947-2 Ics
In=80-125 A	10000 A	16 kA

BREAKING CAPACITY 1P		
400V	EN60898 Icu	EN60947-2 Ics
In=80-125 A	10000 A	4,5 kA

BREAKING CAPACITY 2-3-4P		
230V	EN60898 Icu	EN60947-2 Ics
In=63-100 A	10000 A	20 kA

BREAKING CAPACITY 2-3-4P		
400V	EN60898 Icu	EN60947-2 Ics
In=63-100 A	10000 A	16 kA



GW 93 388

HIGH PERFORMANCE MINIATURE CIRCUIT BREAKERS

Code	Rated current	Rated voltage	No. of modules EN 50022	Pack Carton
No. of poles: 1P				
GW 93 356	63 A	230-400 V	1,5	1/12
GW 93 357	80 A	230-400 V	1,5	1/12
GW 93 358	100 A	230-400 V	1,5	1/12
No. of poles: 2P				
GW 93 376	63 A	230-400 V	3	1/8
GW 93 377	80 A	230-400 V	3	1/8
GW 93 378	100 A	230-400 V	3	1/8
No. of poles: 3P				
GW 93 386	63 A	230-400 V	4,5	1/4
GW 93 387	80 A	230-400 V	4,5	1/4
GW 93 388	100 A	230-400 V	4,5	1/4
No. of poles: 4P				
GW 93 396	63 A	230-400 V	6	1/4
GW 93 397	80 A	230-400 V	6	1/4
GW 93 398	100 A	230-400 V	6	1/4

ACCESSORIES SUPPLIED: kit for multipurpose wiring.

MTHP 250 - C CURVE - 25000 A (EN 60898) - 25 KA (EN 60947-2)

BREAKING CAPACITY 1P		
230V	EN60898 Icn	EN60947-2 Icu
In=20+63 A	25000 A	25 kA

BREAKING CAPACITY 1P		
400V	EN60898 Icn	EN60947-2 Icu
In=20+63 A	25000 A	6 kA

BREAKING CAPACITY 2P		
230V	EN60898 Icn	EN60947-2 Icu
In=20+63 A	25000 A	50 kA

BREAKING CAPACITY 3-4P		
230V	EN60898 Icn	EN60947-2 Icu
In=20+63 A	25000 A	30 kA

BREAKING CAPACITY 2-3-4P		
400V	EN60898 Icn	EN60947-2 Icu
In=20+63 A	25000 A	25 kA



GW 93 222

HIGH PERFORMANCE MINIATURE CIRCUIT BREAKERS

Code	Rated current	Rated voltage	No. of modules EN 50022	Pack Carton
No. of poles: 1P				
GW 93 201	20 A	230-400 V	1.5	1/12
GW 93 202	25 A	230-400 V	1.5	1/12
GW 93 203	32 A	230-400 V	1.5	1/12
GW 93 204	40 A	230-400 V	1.5	1/12
GW 93 205	50 A	230-400 V	1.5	1/12
GW 93 206	63 A	230-400 V	1.5	1/12
No. of poles: 2P				
GW 93 221	20 A	230-400 V	3	1/8
GW 93 222	25 A	230-400 V	3	1/8
GW 93 223	32 A	230-400 V	3	1/8
GW 93 224	40 A	230-400 V	3	1/8
GW 93 225	50 A	230-400 V	3	1/8
GW 93 226	63 A	230-400 V	3	1/8
No. of poles: 3P				
GW 93 231	20 A	230-400 V	4.5	1/4
GW 93 232	25 A	230-400 V	4.5	1/4
GW 93 233	32 A	230-400 V	4.5	1/4
GW 93 234	40 A	230-400 V	4.5	1/4
GW 93 235	50 A	230-400 V	4.5	1/4
GW 93 236	63 A	230-400 V	4.5	1/4
No. of poles: 4P				
GW 93 241	20 A	230-400 V	6	1/4
GW 93 242	25 A	230-400 V	6	1/4
GW 93 243	32 A	230-400 V	6	1/4
GW 93 244	40 A	230-400 V	6	1/4
GW 93 245	50 A	230-400 V	6	1/4
GW 93 246	63 A	230-400 V	6	1/4

ACCESSORIES SUPPLIED: kit for multipurpose wiring.

90 RCD

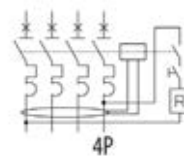
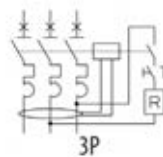
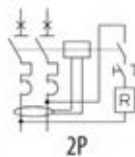
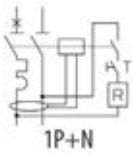
Modular circuit breakers for residual current protection

The 90 RCD range meets any ground fault protection requirement for any area of application. The range comprises MDC compact residual current c.b. with overcurrent protection (from 6 to 32 A, curves B and C, up to 10 kA and $I_{\Delta n}$ from 30 and 300 mA type AC, A, A[IR] and A[S]) BD and BDHP, add-on residual current devices for circuit breakers MT and MTHP ($I_{\Delta n}$ from 10 mA to 3 A type AC, A, A[IR], A[S] and A adjustable) SD residual current circuit breakers (up to 125 A, $I_{\Delta n}$ from 10 to 500 mA type AC, A, A[IR], A[S], B[IR] and B[S]).



Technical characteristics page 122

MDC - MONOBLOC COMPACT RCBO'S



MDC 45 - AC TYPE - C CURVE - 4500 A (EN 61009-1) - 4.5 KA (EN 60947-2)

BREAKING CAPACITY 1P+N-2P		
230V	EN61009-1 kA	EN60947-2 kA
$I_n=6-32A$	4500 A	6 kA

BREAKING CAPACITY 3-4P		
400V	EN61009-1 kA	EN60947-2 kA
$I_n=6-32A$	4500 A	4.5 kA



GW 94 027

COMPACT RESIDUAL CURRENT CIRCUIT BREAKERS WITH OVERCURRENT PROTECTION



Code	$I_{\Delta n}$	Rated current	Rated voltage	No. of modules EN 50022	Pack Carton
No. of poles: 1P+N					
GW 94 005	30 mA	6 A	230 V	2	1/6
GW 94 006	30 mA	10 A	230 V	2	1/6
GW 94 011	30 mA	13 A	230 V	2	1/6
GW 94 007	30 mA	16 A	230 V	2	1/6
GW 94 008	30 mA	20 A	230 V	2	1/6
GW 94 009	30 mA	25 A	230 V	2	1/6
GW 94 010	30 mA	32 A	230 V	2	1/6
GW 94 015	300 mA	6 A	230 V	2	1/6
GW 94 016	300 mA	10 A	230 V	2	1/6
GW 94 017	300 mA	16 A	230 V	2	1/6
GW 94 018	300 mA	20 A	230 V	2	1/6
GW 94 019	300 mA	25 A	230 V	2	1/6
GW 94 020	300 mA	32 A	230 V	2	1/6
No. of poles: 2P					
GW 94 025	30 mA	6 A	230 V	2	1/6
GW 94 026	30 mA	10 A	230 V	2	1/6
GW 94 031	30 mA	13 A	230 V	2	1/6
GW 94 027	30 mA	16 A	230 V	2	1/6
GW 94 028	30 mA	20 A	230 V	2	1/6
GW 94 029	30 mA	25 A	230 V	2	1/6
GW 94 030	30 mA	32 A	230 V	2	1/6
GW 94 035	300 mA	6 A	230 V	2	1/6
GW 94 036	300 mA	10 A	230 V	2	1/6
GW 94 037	300 mA	16 A	230 V	2	1/6
GW 94 038	300 mA	20 A	230 V	2	1/6
GW 94 039	300 mA	25 A	230 V	2	1/6
GW 94 040	300 mA	32 A	230 V	2	1/6

to be continued on next page



GW 94 027

(CONTINUE)

COMPACT RESIDUAL CURRENT CIRCUIT BREAKERS WITH OVERCURRENT PROTECTION



Code	I _{dn}	Rated current	Rated voltage	No. of modules EN 50022	Pack Carton
No. of poles: 3P					
GW 94 045	30 mA	6 A	400 V	3	1/4
GW 94 046	30 mA	10 A	400 V	3	1/4
GW 94 051	30 mA	13 A	400 V	3	1/4
GW 94 047	30 mA	16 A	400 V	3	1/4
GW 94 048	30 mA	20 A	400 V	3	1/4
GW 94 049	30 mA	25 A	400 V	3	1/4
GW 94 050	30 mA	32 A	400 V	3	1/4
GW 94 055	300 mA	6 A	400 V	3	1/4
GW 94 056	300 mA	10 A	400 V	3	1/4
GW 94 057	300 mA	16 A	400 V	3	1/4
GW 94 058	300 mA	20 A	400 V	3	1/4
GW 94 059	300 mA	25 A	400 V	3	1/4
GW 94 060	300 mA	32 A	400 V	3	1/4
No. of poles: 4P					
GW 94 065	30 mA	6 A	400 V	4	1/3
GW 94 066	30 mA	10 A	400 V	4	1/3
GW 94 071	30 mA	13 A	400 V	4	1/3
GW 94 067	30 mA	16 A	400 V	4	1/3
GW 94 068	30 mA	20 A	400 V	4	1/3
GW 94 069	30 mA	25 A	400 V	4	1/3
GW 94 070	30 mA	32 A	400 V	4	1/3
GW 94 075	300 mA	6 A	400 V	4	1/3
GW 94 076	300 mA	10 A	400 V	4	1/3
GW 94 077	300 mA	16 A	400 V	4	1/3
GW 94 078	300 mA	20 A	400 V	4	1/3
GW 94 079	300 mA	25 A	400 V	4	1/3
GW 94 080	300 mA	32 A	400 V	4	1/3

90 RCD

MDC 45 - A TYPE - C CURVE - 4500 A (EN 61009-1) - 4.5 KA (EN 60947-2)

BREAKING CAPACITY 1P+N-2P		
230V	EN61009-1 Icn	EN60947-2 Icu
I _n =6÷32 A	4500 A	6 kA

BREAKING CAPACITY 3-4P		
400V	EN61009-1 Icn	EN60947-2 Icu
I _n =6÷32 A	4500 A	4.5 kA



GW 94 227

COMPACT RESIDUAL CURRENT CIRCUIT BREAKERS WITH OVERCURRENT PROTECTION



Code	I _{dn}	Rated current	Rated voltage	No. of modules EN 50022	Pack Carton
No. of poles: 1P+N					
GW 94 205	30 mA	6 A	230 V	2	1/6
GW 94 206	30 mA	10 A	230 V	2	1/6
GW 94 211	30 mA	13 A	230 V	2	1/6
GW 94 207	30 mA	16 A	230 V	2	1/6
GW 94 208	30 mA	20 A	230 V	2	1/6
GW 94 209	30 mA	25 A	230 V	2	1/6
GW 94 210	30 mA	32 A	230 V	2	1/6
GW 94 215	300 mA	6 A	230 V	2	1/6
GW 94 216	300 mA	10 A	230 V	2	1/6
GW 94 217	300 mA	16 A	230 V	2	1/6
GW 94 218	300 mA	20 A	230 V	2	1/6
GW 94 219	300 mA	25 A	230 V	2	1/6
GW 94 220	300 mA	32 A	230 V	2	1/6
No. of poles: 2P					
GW 94 225	30 mA	6 A	230 V	2	1/6
GW 94 226	30 mA	10 A	230 V	2	1/6
GW 94 231	30 mA	13 A	230 V	2	1/6
GW 94 227	30 mA	16 A	230 V	2	1/6
GW 94 228	30 mA	20 A	230 V	2	1/6
GW 94 229	30 mA	25 A	230 V	2	1/6
GW 94 230	30 mA	32 A	230 V	2	1/6
GW 94 235	300 mA	6 A	230 V	2	1/6
GW 94 236	300 mA	10 A	230 V	2	1/6
GW 94 237	300 mA	16 A	230 V	2	1/6
GW 94 238	300 mA	20 A	230 V	2	1/6
GW 94 239	300 mA	25 A	230 V	2	1/6
GW 94 240	300 mA	32 A	230 V	2	1/6
No. of poles: 3P					
GW 94 245	30 mA	6 A	400 V	3	1/4
GW 94 246	30 mA	10 A	400 V	3	1/4
GW 94 251	30 mA	13 A	400 V	3	1/4
GW 94 247	30 mA	16 A	400 V	3	1/4
GW 94 248	30 mA	20 A	400 V	3	1/4
GW 94 249	30 mA	25 A	400 V	3	1/4
GW 94 250	30 mA	32 A	400 V	3	1/4
GW 94 255	300 mA	6 A	400 V	3	1/4
GW 94 256	300 mA	10 A	400 V	3	1/4
GW 94 257	300 mA	16 A	400 V	3	1/4
GW 94 258	300 mA	20 A	400 V	3	1/4
GW 94 259	300 mA	25 A	400 V	3	1/4
GW 94 260	300 mA	32 A	400 V	3	1/4
No. of poles: 4P					
GW 94 265	30 mA	6 A	400 V	4	1/3
GW 94 266	30 mA	10 A	400 V	4	1/3
GW 94 271	30 mA	13 A	400 V	4	1/3
GW 94 267	30 mA	16 A	400 V	4	1/3
GW 94 268	30 mA	20 A	400 V	4	1/3
GW 94 269	30 mA	25 A	400 V	4	1/3
GW 94 270	30 mA	32 A	400 V	4	1/3
GW 94 275	300 mA	6 A	400 V	4	1/3
GW 94 276	300 mA	10 A	400 V	4	1/3
GW 94 277	300 mA	16 A	400 V	4	1/3
GW 94 278	300 mA	20 A	400 V	4	1/3
GW 94 279	300 mA	25 A	400 V	4	1/3
GW 94 280	300 mA	32 A	400 V	4	1/3

MDC 60 - AC TYPE - C CURVE - 6000 A (EN 61009-1) - 6 KA (EN 60947-2)

BREAKING CAPACITY 1P+N-2P		
230V	EN61009-1 Icn	EN60947-2 Icu
In=6-32 A	6000 A	7,5 kA

BREAKING CAPACITY 3-4P		
400V	EN61009-1 Icn	EN60947-2 Icu
In=6-32 A	6000 A	6 kA



GW 94 168

COMPACT RESIDUAL CURRENT CIRCUIT BREAKERS WITH OVERCURRENT PROTECTION



Code	I _{dn}	Rated current	Rated voltage	No. of modules EN 50022	Pack Carton
No. of poles: 1P+N					
GW 94 105	30 mA	6 A	230 V	2	1/6
GW 94 106	30 mA	10 A	230 V	2	1/6
GW 94 111	30 mA	13 A	230 V	2	1/6
GW 94 107	30 mA	16 A	230 V	2	1/6
GW 94 108	30 mA	20 A	230 V	2	1/6
GW 94 109	30 mA	25 A	230 V	2	1/6
GW 94 110	30 mA	32 A	230 V	2	1/6
GW 94 115	300 mA	6 A	230 V	2	1/6
GW 94 116	300 mA	10 A	230 V	2	1/6
GW 94 117	300 mA	16 A	230 V	2	1/6
GW 94 118	300 mA	20 A	230 V	2	1/6
GW 94 119	300 mA	25 A	230 V	2	1/6
GW 94 120	300 mA	32 A	230 V	2	1/6
No. of poles: 2P					
GW 94 125	30 mA	6 A	230 V	2	1/6
GW 94 126	30 mA	10 A	230 V	2	1/6
GW 94 131	30 mA	13 A	230 V	2	1/6
GW 94 127	30 mA	16 A	230 V	2	1/6
GW 94 128	30 mA	20 A	230 V	2	1/6
GW 94 129	30 mA	25 A	230 V	2	1/6
GW 94 130	30 mA	32 A	230 V	2	1/6
GW 94 135	300 mA	6 A	230 V	2	1/6
GW 94 136	300 mA	10 A	230 V	2	1/6
GW 94 137	300 mA	16 A	230 V	2	1/6
GW 94 138	300 mA	20 A	230 V	2	1/6
GW 94 139	300 mA	25 A	230 V	2	1/6
GW 94 140	300 mA	32 A	230 V	2	1/6
No. of poles: 3P					
GW 94 145	30 mA	6 A	400 V	3	1/4
GW 94 146	30 mA	10 A	400 V	3	1/4
GW 94 151	30 mA	13 A	400 V	3	1/4
GW 94 147	30 mA	16 A	400 V	3	1/4
GW 94 148	30 mA	20 A	400 V	3	1/4
GW 94 149	30 mA	25 A	400 V	3	1/4
GW 94 150	30 mA	32 A	400 V	3	1/4
GW 94 155	300 mA	6 A	400 V	3	1/4
GW 94 156	300 mA	10 A	400 V	3	1/4
GW 94 157	300 mA	16 A	400 V	3	1/4
GW 94 158	300 mA	20 A	400 V	3	1/4
GW 94 159	300 mA	25 A	400 V	3	1/4
GW 94 160	300 mA	32 A	400 V	3	1/4
No. of poles: 4P					
GW 94 165	30 mA	6 A	400 V	4	1/3
GW 94 166	30 mA	10 A	400 V	4	1/3
GW 94 171	30 mA	13 A	400 V	4	1/3
GW 94 167	30 mA	16 A	400 V	4	1/3
GW 94 168	30 mA	20 A	400 V	4	1/3
GW 94 169	30 mA	25 A	400 V	4	1/3
GW 94 170	30 mA	32 A	400 V	4	1/3
GW 94 175	300 mA	6 A	400 V	4	1/3
GW 94 176	300 mA	10 A	400 V	4	1/3
GW 94 177	300 mA	16 A	400 V	4	1/3
GW 94 178	300 mA	20 A	400 V	4	1/3
GW 94 179	300 mA	25 A	400 V	4	1/3
GW 94 180	300 mA	32 A	400 V	4	1/3

90 RCD

MDC 60 - A TYPE - C CURVE - 6000 A (EN 61009-1) - 6 KA (EN 60947-2)

BREAKING CAPACITY 1P+N-2P		
230V	EN61009-1 Icn	EN60947-2 Icu
I _n =6-32 A	6000 A	7,5 kA

BREAKING CAPACITY 3-4P		
400V	EN61009-1 Icn	EN60947-2 Icu
I _n =6-32 A	6000 A	6 kA



GW 94 347

COMPACT RESIDUAL CURRENT CIRCUIT BREAKERS WITH OVERCURRENT PROTECTION



Code	I _{dn}	Rated current	Rated voltage	No. of modules EN 50022	Pack Carton
No. of poles: 1P+N					
GW 94 305	30 mA	6 A	230 V	2	1/6
GW 94 306	30 mA	10 A	230 V	2	1/6
GW 94 311	30 mA	13 A	230 V	2	1/6
GW 94 307	30 mA	16 A	230 V	2	1/6
GW 94 308	30 mA	20 A	230 V	2	1/6
GW 94 309	30 mA	25 A	230 V	2	1/6
GW 94 310	30 mA	32 A	230 V	2	1/6
GW 94 315	300 mA	6 A	230 V	2	1/6
GW 94 316	300 mA	10 A	230 V	2	1/6
GW 94 317	300 mA	16 A	230 V	2	1/6
GW 94 318	300 mA	20 A	230 V	2	1/6
GW 94 319	300 mA	25 A	230 V	2	1/6
GW 94 320	300 mA	32 A	230 V	2	1/6
No. of poles: 2P					
GW 94 325	30 mA	6 A	230 V	2	1/6
GW 94 326	30 mA	10 A	230 V	2	1/6
GW 94 331	30 mA	13 A	230 V	2	1/6
GW 94 327	30 mA	16 A	230 V	2	1/6
GW 94 328	30 mA	20 A	230 V	2	1/6
GW 94 329	30 mA	25 A	230 V	2	1/6
GW 94 330	30 mA	32 A	230 V	2	1/6
GW 94 335	300 mA	6 A	230 V	2	1/6
GW 94 336	300 mA	10 A	230 V	2	1/6
GW 94 337	300 mA	16 A	230 V	2	1/6
GW 94 338	300 mA	20 A	230 V	2	1/6
GW 94 339	300 mA	25 A	230 V	2	1/6
GW 94 340	300 mA	32 A	230 V	2	1/6
No. of poles: 3P					
GW 94 345	30 mA	6 A	400 V	3	1/4
GW 94 346	30 mA	10 A	400 V	3	1/4
GW 94 351	30 mA	13 A	400 V	3	1/4
GW 94 347	30 mA	16 A	400 V	3	1/4
GW 94 348	30 mA	20 A	400 V	3	1/4
GW 94 349	30 mA	25 A	400 V	3	1/4
GW 94 350	30 mA	32 A	400 V	3	1/4
GW 94 355	300 mA	6 A	400 V	3	1/4
GW 94 356	300 mA	10 A	400 V	3	1/4
GW 94 357	300 mA	16 A	400 V	3	1/4
GW 94 358	300 mA	20 A	400 V	3	1/4
GW 94 359	300 mA	25 A	400 V	3	1/4
GW 94 360	300 mA	32 A	400 V	3	1/4
No. of poles: 4P					
GW 94 365	30 mA	6 A	400 V	4	1/3
GW 94 366	30 mA	10 A	400 V	4	1/3
GW 94 371	30 mA	13 A	400 V	4	1/3
GW 94 367	30 mA	16 A	400 V	4	1/3
GW 94 368	30 mA	20 A	400 V	4	1/3
GW 94 369	30 mA	25 A	400 V	4	1/3
GW 94 370	30 mA	32 A	400 V	4	1/3
GW 94 375	300 mA	6 A	400 V	4	1/3
GW 94 376	300 mA	10 A	400 V	4	1/3
GW 94 377	300 mA	16 A	400 V	4	1/3
GW 94 378	300 mA	20 A	400 V	4	1/3
GW 94 379	300 mA	25 A	400 V	4	1/3
GW 94 380	300 mA	32 A	400 V	4	1/3

MDC 60 - A[IR] TYPE IMPULSE RESISTANT - C CURVE - 6000 A (EN 61009-1) - 6 KA (EN 60947-2)

BREAKING CAPACITY 2P		
230V	EN61009-1 I _{cn}	EN60947-2 I _{cu}
I _n =6-32 A	6000 A	7,5 kA

BREAKING CAPACITY 4P		
400V	EN61009-1 I _{cn}	EN60947-2 I _{cu}
I _n =6-32 A	6000 A	6 kA



GW 95 817

COMPACT RESIDUAL CURRENT CIRCUIT BREAKERS WITH OVERCURRENT PROTECTION



Code	I _{dn}	Rated current	Rated voltage	No. of modules EN 50022	Pack Carton
No. of poles: 2P					
GW 95 805	30 mA	6 A	230 V	2	1/6
GW 95 806	30 mA	10 A	230 V	2	1/6
GW 95 811	30 mA	13 A	230 V	2	1/6
GW 95 807	30 mA	16 A	230 V	2	1/6
GW 95 808	30 mA	20 A	230 V	2	1/6
GW 95 809	30 mA	25 A	230 V	2	1/6
GW 95 810	30 mA	32 A	230 V	2	1/6
No. of poles: 4P					
GW 95 815	30 mA	6 A	400 V	4	1/3
GW 95 816	30 mA	10 A	400 V	4	1/3
GW 95 821	30 mA	13 A	400 V	4	1/3
GW 95 817	30 mA	16 A	400 V	4	1/3
GW 95 818	30 mA	20 A	400 V	4	1/3
GW 95 819	30 mA	25 A	400 V	4	1/3
GW 95 820	30 mA	32 A	400 V	4	1/3

CHARACTERISTICS: type A[IR] presents greater resistance to mains disturbances and atmospheric discharges in comparison to standard residual current circuit breakers with overcurrent protection. Immunity level 8/20 μs is 3000 A.

MDC 60 - A[S] TYPE SELECTIVE - C CURVE - 6000 A (EN 61009-1) - 6 KA (EN 60947-2)

BREAKING CAPACITY 2-4P		
230V	EN61009-1 I _{cn}	EN60947-2 I _{cu}
I _n =16-32 A	6000 A	7,5 kA

BREAKING CAPACITY 4P		
400V	EN61009-1 I _{cn}	EN60947-2 I _{cu}
I _n =16-32 A	6000 A	6 kA



GW 95 850

COMPACT RESIDUAL CURRENT CIRCUIT BREAKERS WITH OVERCURRENT PROTECTION



Code	I _{dn}	Rated current	Rated voltage	No. of modules EN 50022	Pack Carton
No. of poles: 2P					
GW 95 847	300 mA	16 A	230 V	2	1/6
GW 95 848	300 mA	20 A	230 V	2	1/6
GW 95 849	300 mA	25 A	230 V	2	1/6
GW 95 850	300 mA	32 A	230 V	2	1/6
No. of poles: 4P					
GW 95 857	300 mA	16 A	400 V	4	1/3
GW 95 858	300 mA	20 A	400 V	4	1/3
GW 95 859	300 mA	25 A	400 V	4	1/3
GW 95 860	300 mA	32 A	400 V	4	1/3

90 RCD

MDC 60 - A TYPE - B CURVE - 6000 A (EN 61009-1) - 6 KA (EN 60947-2)

BREAKING CAPACITY 1P+N-2P		
230V	EN61009-1 Icn	EN60947-2 Icu
I _n =6-32 A	6000 A	7,5 kA

BREAKING CAPACITY 3-4P		
400V	EN61009-1 Icn	EN60947-2 Icu
I _n =6-32 A	6000 A	6 kA



GW 95 168

COMPACT RESIDUAL CURRENT CIRCUIT BREAKERS WITH OVERCURRENT PROTECTION



Code	I _{dn}	Rated current	Rated voltage	No. of modules EN 50022	Pack Carton
No. of poles: 1P+N					
GW 95 105	30 mA	6 A	230 V	2	1/6
GW 95 106	30 mA	10 A	230 V	2	1/6
GW 95 111	30 mA	13 A	230 V	2	1/6
GW 95 107	30 mA	16 A	230 V	2	1/6
GW 95 108	30 mA	20 A	230 V	2	1/6
GW 95 109	30 mA	25 A	230 V	2	1/6
GW 95 110	30 mA	32 A	230 V	2	1/6
GW 95 115	300 mA	6 A	230 V	2	1/6
GW 95 116	300 mA	10 A	230 V	2	1/6
GW 95 117	300 mA	16 A	230 V	2	1/6
GW 95 118	300 mA	20 A	230 V	2	1/6
GW 95 119	300 mA	25 A	230 V	2	1/6
GW 95 120	300 mA	32 A	230 V	2	1/6
No. of poles: 2P					
GW 95 125	30 mA	6 A	230 V	2	1/6
GW 95 126	30 mA	10 A	230 V	2	1/6
GW 95 131	30 mA	13 A	230 V	2	1/6
GW 95 127	30 mA	16 A	230 V	2	1/6
GW 95 128	30 mA	20 A	230 V	2	1/6
GW 95 129	30 mA	25 A	230 V	2	1/6
GW 95 130	30 mA	32 A	230 V	2	1/6
GW 95 135	300 mA	6 A	230 V	2	1/6
GW 95 136	300 mA	10 A	230 V	2	1/6
GW 95 137	300 mA	16 A	230 V	2	1/6
GW 95 138	300 mA	20 A	230 V	2	1/6
GW 95 139	300 mA	25 A	230 V	2	1/6
GW 95 140	300 mA	32 A	230 V	2	1/6
No. of poles: 3P					
GW 95 145	30 mA	6 A	400 V	3	1/4
GW 95 146	30 mA	10 A	400 V	3	1/4
GW 95 151	30 mA	13 A	400 V	3	1/4
GW 95 147	30 mA	16 A	400 V	3	1/4
GW 95 148	30 mA	20 A	400 V	3	1/4
GW 95 149	30 mA	25 A	400 V	3	1/4
GW 95 150	30 mA	32 A	400 V	3	1/4
GW 95 155	300 mA	6 A	400 V	3	1/4
GW 95 156	300 mA	10 A	400 V	3	1/4
GW 95 157	300 mA	16 A	400 V	3	1/4
GW 95 158	300 mA	20 A	400 V	3	1/4
GW 95 159	300 mA	25 A	400 V	3	1/4
GW 95 160	300 mA	32 A	400 V	3	1/4
No. of poles: 4P					
GW 95 165	30 mA	6 A	400 V	4	1/3
GW 95 166	30 mA	10 A	400 V	4	1/3
GW 95 171	30 mA	13 A	400 V	4	1/3
GW 95 167	30 mA	16 A	400 V	4	1/3
GW 95 168	30 mA	20 A	400 V	4	1/3
GW 95 169	30 mA	25 A	400 V	4	1/3
GW 95 170	30 mA	32 A	400 V	4	1/3
GW 95 175	300 mA	6 A	400 V	4	1/3
GW 95 176	300 mA	10 A	400 V	4	1/3
GW 95 177	300 mA	16 A	400 V	4	1/3
GW 95 178	300 mA	20 A	400 V	4	1/3
GW 95 179	300 mA	25 A	400 V	4	1/3
GW 95 180	300 mA	32 A	400 V	4	1/3

MDC 100 - AC TYPE - C CURVE - 10000 A (EN 61009-1) - 10 KA (EN 60947-2)

BREAKING CAPACITY 1P+N-2P		
230V	EN61009-1 Icn	EN60947-2 Icn
I _n =6÷32 A	10000 A	10 kA



GW 95 027

COMPACT RESIDUAL CURRENT CIRCUIT BREAKERS WITH OVERCURRENT PROTECTION



Code	I _{dn}	Rated current	Rated voltage	No. of modules EN 50022	Pack Carton
No. of poles: 1P+N					
GW 95 005	30 mA	6 A	230 V	2	1/6
GW 95 006	30 mA	10 A	230 V	2	1/6
GW 95 011	30 mA	13 A	230 V	2	1/6
GW 95 007	30 mA	16 A	230 V	2	1/6
GW 95 008	30 mA	20 A	230 V	2	1/6
GW 95 009	30 mA	25 A	230 V	2	1/6
GW 95 010	30 mA	32 A	230 V	2	1/6
GW 95 015	300 mA	6 A	230 V	2	1/6
GW 95 016	300 mA	10 A	230 V	2	1/6
GW 95 017	300 mA	16 A	230 V	2	1/6
GW 95 018	300 mA	20 A	230 V	2	1/6
GW 95 019	300 mA	25 A	230 V	2	1/6
GW 95 020	300 mA	32 A	230 V	2	1/6
No. of poles: 2P					
GW 95 025	30 mA	6 A	230 V	2	1/6
GW 95 026	30 mA	10 A	230 V	2	1/6
GW 95 031	30 mA	13 A	230 V	2	1/6
GW 95 027	30 mA	16 A	230 V	2	1/6
GW 95 028	30 mA	20 A	230 V	2	1/6
GW 95 029	30 mA	25 A	230 V	2	1/6
GW 95 030	30 mA	32 A	230 V	2	1/6
GW 95 035	300 mA	6 A	230 V	2	1/6
GW 95 036	300 mA	10 A	230 V	2	1/6
GW 95 037	300 mA	16 A	230 V	2	1/6
GW 95 038	300 mA	20 A	230 V	2	1/6
GW 95 039	300 mA	25 A	230 V	2	1/6
GW 95 040	300 mA	32 A	230 V	2	1/6

MDC 100 MA - AC TYPE - C CURVE - 10000 A (EN 61009-1) - 10 KA (EN 60947-2)

BREAKING CAPACITY 2P		
110V	EN61009-1 I _{cn}	EN60947-2 I _{cu}
I _n =6-32 A	10000 A	10 kA



GW 95 025 MA

COMPACT RESIDUAL CURRENT CIRCUIT BREAKERS WITH OVERCURRENT PROTECTION



Code	I _{dn}	Rated current	Rated voltage	No. of modules EN 50022	Pack Carton
No. of poles: 2P					
GW 95 025 MA	30 mA	6 A	110 V	2	1/6
GW 95 026 MA	30 mA	10 A	110 V	2	1/6
GW 95 031 MA	30 mA	13 A	110 V	2	1/6
GW 95 027 MA	30 mA	16 A	110 V	2	1/6
GW 95 028 MA	30 mA	20 A	110 V	2	1/6
GW 95 029 MA	30 mA	25 A	110 V	2	1/6
GW 95 030 MA	30 mA	32 A	110 V	2	1/6
GW 95 035 MA	300 mA	6 A	110 V	2	1/6
GW 95 036 MA	300 mA	10 A	110 V	2	1/6
GW 95 037 MA	300 mA	16 A	110 V	2	1/6
GW 95 038 MA	300 mA	20 A	110 V	2	1/6
GW 95 039 MA	300 mA	25 A	110 V	2	1/6
GW 95 040 MA	300 mA	32 A	110 V	2	1/6

MDC 100 - A TYPE - C CURVE - 10000 A (EN 61009-1) - 10 KA (EN 60947-2)

BREAKING CAPACITY 1P+N-2P-3P		
230V	EN61009-1 Icu	EN60947-2 Ics
I _n =6-32 A	10000 A	10 kA



GW 95 227

COMPACT RESIDUAL CURRENT CIRCUIT BREAKERS WITH OVERCURRENT PROTECTION



Code	I _{dn}	Rated current	Rated voltage	No. of modules EN 50022	Pack Carton
No. of poles: 1P+N					
GW 95 205	30 mA	6 A	230 V	2	1/6
GW 95 206	30 mA	10 A	230 V	2	1/6
GW 95 211	30 mA	13 A	230 V	2	1/6
GW 95 207	30 mA	16 A	230 V	2	1/6
GW 95 208	30 mA	20 A	230 V	2	1/6
GW 95 209	30 mA	25 A	230 V	2	1/6
GW 95 210	30 mA	32 A	230 V	2	1/6
GW 95 215	300 mA	6 A	230 V	2	1/6
GW 95 216	300 mA	10 A	230 V	2	1/6
GW 95 217	300 mA	16 A	230 V	2	1/6
GW 95 218	300 mA	20 A	230 V	2	1/6
GW 95 219	300 mA	25 A	230 V	2	1/6
GW 95 220	300 mA	32 A	230 V	2	1/6
No. of poles: 2P					
GW 95 225	30 mA	6 A	230 V	2	1/6
GW 95 226	30 mA	10 A	230 V	2	1/6
GW 95 231	30 mA	13 A	230 V	2	1/6
GW 95 227	30 mA	16 A	230 V	2	1/6
GW 95 228	30 mA	20 A	230 V	2	1/6
GW 95 229	30 mA	25 A	230 V	2	1/6
GW 95 230	30 mA	32 A	230 V	2	1/6
GW 95 785	100 mA	6 A	230 V	2	1/6
GW 95 786	100 mA	10 A	230 V	2	1/6
GW 95 791	100 mA	13 A	230 V	2	1/6
GW 95 787	100 mA	16 A	230 V	2	1/6
GW 95 788	100 mA	20 A	230 V	2	1/6
GW 95 789	100 mA	25 A	230 V	2	1/6
GW 95 790	100 mA	32 A	230 V	2	1/6
GW 95 235	300 mA	6 A	230 V	2	1/6
GW 95 236	300 mA	10 A	230 V	2	1/6
GW 95 237	300 mA	16 A	230 V	2	1/6
GW 95 238	300 mA	20 A	230 V	2	1/6
GW 95 239	300 mA	25 A	230 V	2	1/6
GW 95 240	300 mA	32 A	230 V	2	1/6
No. of poles: 3P					
GW 95 245	30 mA	6 A	230 V	3	1/4
GW 95 246	30 mA	10 A	230 V	3	1/4
GW 95 247	30 mA	16 A	230 V	3	1/4
GW 95 248	30 mA	20 A	230 V	3	1/4
GW 95 249	30 mA	25 A	230 V	3	1/4
GW 95 250	30 mA	32 A	230 V	3	1/4

90 RCD

MDC 100 MA - A TYPE - C CURVE - 10000 A (EN 61009-1) - 10 KA (EN 60947-2)

BREAKING CAPACITY 2P		
110V	EN61009-1 kA	EN60947-2 kA
In=6+32 A	10000 A	10 kA



GW 95 225 MA

COMPACT RESIDUAL CURRENT CIRCUIT BREAKERS WITH OVERCURRENT PROTECTION



Code	I _{dn}	Rated current	Rated voltage	No. of modules EN 50022	Pack Carton
No. of poles: 2P					
GW 95 225 MA	30 mA	6 A	110 V	2	1/6
GW 95 226 MA	30 mA	10 A	110 V	2	1/6
GW 95 231 MA	30 mA	13 A	110 V	2	1/6
GW 95 227 MA	30 mA	16 A	110 V	2	1/6
GW 95 228 MA	30 mA	20 A	110 V	2	1/6
GW 95 229 MA	30 mA	25 A	110 V	2	1/6
GW 95 230 MA	30 mA	32 A	110 V	2	1/6
GW 95 235 MA	300 mA	6 A	110 V	2	1/6
GW 95 236 MA	300 mA	10 A	110 V	2	1/6
GW 95 237 MA	300 mA	16 A	110 V	2	1/6
GW 95 238 MA	300 mA	20 A	110 V	2	1/6
GW 95 239 MA	300 mA	25 A	110 V	2	1/6
GW 95 240 MA	300 mA	32 A	110 V	2	1/6

MDC 100 - A[IR] TYPE IMPULSE RESISTANT - C CURVE - 10000 A (EN 61009-1) - 10 KA (EN 60947-2)

BREAKING CAPACITY 2P		
230V	EN61009-1 kA	EN60947-2 kA
In=6+32 A	10000 A	10 kA



GW 95 827

COMPACT RESIDUAL CURRENT CIRCUIT BREAKERS WITH OVERCURRENT PROTECTION



Code	I _{dn}	Rated current	Rated voltage	No. of modules EN 50022	Pack Carton
No. of poles: 2P					
GW 95 825	30 mA	6 A	230 V	2	1/6
GW 95 826	30 mA	10 A	230 V	2	1/6
GW 95 831	30 mA	13 A	230 V	2	1/6
GW 95 827	30 mA	16 A	230 V	2	1/6
GW 95 828	30 mA	20 A	230 V	2	1/6
GW 95 829	30 mA	25 A	230 V	2	1/6
GW 95 830	30 mA	32 A	230 V	2	1/6

CHARACTERISTICS: type A[IR] presents greater resistance to mains disturbances and atmospheric discharges in comparison to standard residual current circuit breakers with overcurrent protection. Immunity level 8/20 μs is 3000 A.

MDC 100 - A TYPE - B CURVE - 10000 A (EN 61009-1) - 10 KA (EN 60947-2)

BREAKING CAPACITY 2P		
230V	EN61009-1 I _{cn}	EN60947-2 I _{cs}
I _n =6÷32 A	10000 A	10 kA



GW 95 327

COMPACT RESIDUAL CURRENT CIRCUIT BREAKERS WITH OVERCURRENT PROTECTION



Code	I _{dn}	Rated current	Rated voltage	No. of modules EN 50022	Pack Carton
No. of poles: 2P					
GW 95 325	30 mA	6 A	230 V	2	1/6
GW 95 326	30 mA	10 A	230 V	2	1/6
GW 95 331	30 mA	13 A	230 V	2	1/6
GW 95 327	30 mA	16 A	230 V	2	1/6
GW 95 328	30 mA	20 A	230 V	2	1/6
GW 95 329	30 mA	25 A	230 V	2	1/6
GW 95 330	30 mA	32 A	230 V	2	1/6
GW 95 795	100 mA	6 A	230 V	2	1/6
GW 95 796	100 mA	10 A	230 V	2	1/6
GW 95 801	100 mA	13 A	230 V	2	1/6
GW 95 797	100 mA	16 A	230 V	2	1/6
GW 95 798	100 mA	20 A	230 V	2	1/6
GW 95 799	100 mA	25 A	230 V	2	1/6
GW 95 800	100 mA	32 A	230 V	2	1/6
GW 95 335	300 mA	6 A	230 V	2	1/6
GW 95 336	300 mA	10 A	230 V	2	1/6
GW 95 337	300 mA	16 A	230 V	2	1/6
GW 95 338	300 mA	20 A	230 V	2	1/6
GW 95 339	300 mA	25 A	230 V	2	1/6
GW 95 340	300 mA	32 A	230 V	2	1/6

MDC 100 - A[IR] TYPE IMPULSE RESISTANT - B CURVE - 10000 A (EN 61009-1) - 10 KA (EN 60947-2)

BREAKING CAPACITY 2P		
230V	EN61009-1 I _{cn}	EN60947-2 I _{cs}
I _n =6÷32 A	10000 A	10 kA



GW 95 837

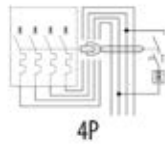
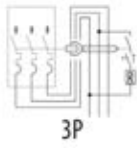
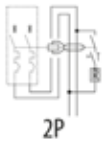
COMPACT RESIDUAL CURRENT CIRCUIT BREAKERS WITH OVERCURRENT PROTECTION



Code	I _{dn}	Rated current	Rated voltage	No. of modules EN 50022	Pack Carton
No. of poles: 2P					
GW 95 835	30 mA	6 A	230 V	2	1/6
GW 95 836	30 mA	10 A	230 V	2	1/6
GW 95 841	30 mA	13 A	230 V	2	1/6
GW 95 837	30 mA	16 A	230 V	2	1/6
GW 95 838	30 mA	20 A	230 V	2	1/6
GW 95 839	30 mA	25 A	230 V	2	1/6
GW 95 840	30 mA	32 A	230 V	2	1/6

CHARACTERISTICS: type A[IR] presents greater resistance to mains disturbances and atmospheric discharges in comparison to standard residual current circuit breakers with overcurrent protection. Immunity level 8/20 μs is 3000 A.

BD - ADD-ON RESIDUAL CURRENT DEVICES FOR MT CIRCUIT BREAKERS



BD - AC TYPE (INSTANTANEOUS)



GW 94 402

ADD-ON RESIDUAL CURRENT DEVICES



Code	Idn	Rated current	Rated voltage	No. of modules EN 50022	Pack Carton
No. of poles: 2P					
GW 94 401	10 mA	25 A	230 V	2	1/2
GW 94 402	30 mA	25 A	230 V	2	1/2
GW 94 403	300 mA	25 A	230 V	2	1/2
GW 94 404	500 mA	25 A	230 V	2	1/2
GW 94 412	30 mA	63 A	230 V	2	1/2
GW 94 413	300 mA	63 A	230 V	2	1/2
GW 94 414	500 mA	63 A	230 V	2	1/2
No. of poles: 3P					
GW 94 442	30 mA	25 A	400 V	3.5	1/2
GW 94 443	300 mA	25 A	400 V	3.5	1/2
GW 94 444	500 mA	25 A	400 V	3.5	1/2
GW 94 448	30 mA	63 A	400 V	3.5	1/2
GW 94 449	300 mA	63 A	400 V	3.5	1/2
GW 94 450	500 mA	63 A	400 V	3.5	1/2
No. of poles: 4P					
GW 94 422	30 mA	25 A	400 V	3.5	1/2
GW 94 423	300 mA	25 A	400 V	3.5	1/2
GW 94 424	500 mA	25 A	400 V	3.5	1/2
GW 94 432	30 mA	63 A	400 V	3.5	1/2
GW 94 433	300 mA	63 A	400 V	3.5	1/2
GW 94 434	500 mA	63 A	400 V	3.5	1/2

BD - A TYPE (INSTANTANEOUS)



GW 94 502

ADD-ON RESIDUAL CURRENT DEVICES



Code	Idn	Rated current	Rated voltage	No. of modules EN 50022	Pack Carton
No. of poles: 2P					
GW 94 502	30 mA	25 A	230 V	2	1/2
GW 94 503	300 mA	25 A	230 V	2	1/2
GW 94 504	500 mA	25 A	230 V	2	1/2
GW 94 512	30 mA	63 A	230 V	2	1/2
GW 94 513	300 mA	63 A	230 V	2	1/2
GW 94 514	500 mA	63 A	230 V	2	1/2
No. of poles: 3P					
GW 94 542	30 mA	25 A	400 V	3.5	1/2
GW 94 543	300 mA	25 A	400 V	3.5	1/2
GW 94 544	500 mA	25 A	400 V	3.5	1/2
GW 94 547	30 mA	63 A	400 V	3.5	1/2
GW 94 548	300 mA	63 A	400 V	3.5	1/2
GW 94 549	500 mA	63 A	400 V	3.5	1/2
No. of poles: 4P					
GW 94 522	30 mA	25 A	400 V	3.5	1/2
GW 94 523	300 mA	25 A	400 V	3.5	1/2
GW 94 524	500 mA	25 A	400 V	3.5	1/2
GW 94 532	30 mA	63 A	400 V	3.5	1/2
GW 94 533	300 mA	63 A	400 V	3.5	1/2
GW 94 534	500 mA	63 A	400 V	3.5	1/2

BD - A[IR] TYPE (IMPULSE RESISTANT)



GW 94 566

ADD-ON RESIDUAL CURRENT DEVICES



Code	Idn	Rated current	Rated voltage	No. of modules EN 50022	Pack Carton
No. of poles: 2P					
GW 94 566	30 mA	63 A	230 V	2	1/2
No. of poles: 3P					
GW 94 595	30 mA	63 A	400 V	3.5	1/2
No. of poles: 4P					
GW 94 586	30 mA	63 A	400 V	3.5	1/2

CHARACTERISTICS: type A[IR] presents greater resistance to mains disturbances and atmospheric discharges in comparison to add-on residual current devices. Immunity level 8/20 μ s is 3000 A.

BD - A[S] TYPE (SELECTIVE)



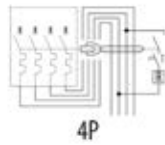
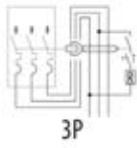
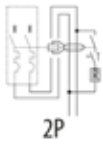
GW 94 563

ADD-ON RESIDUAL CURRENT DEVICES



Code	Idn	Rated current	Rated voltage	No. of modules EN 50022	Pack Carton
No. of poles: 2P					
GW 94 563	300 mA	63 A	230 V	2	1/2
GW 94 565	1000 mA	63 A	230 V	2	1/2
No. of poles: 3P					
GW 94 598	300 mA	63 A	400 V	3.5	1/2
GW 94 600	1000 mA	63 A	400 V	3.5	1/2
No. of poles: 4P					
GW 94 583	300 mA	63 A	400 V	3.5	1/2
GW 94 585	1000 mA	63 A	400 V	3.5	1/2

BDHP - ADD-ON RESIDUAL CURRENT DEVICES FOR MTHP CIRCUIT BREAKERS



BDHP - AC TYPE (INSTANTANEOUS)



GW 95 416

ADD-ON RESIDUAL CURRENT DEVICES



Code	I_{dn}	Rated current	Rated voltage	No. of modules EN 50022	Pack Carton
No. of poles: 2P					
GW 95 406	30 mA	125 A	230 V	4	1/2
GW 95 408	300 mA	125 A	230 V	4	1/2
No. of poles: 3P					
GW 95 416	30 mA	125 A	400 V	6	1/2
GW 95 418	300 mA	125 A	400 V	6	1/2
No. of poles: 4P					
GW 95 426	30 mA	125 A	400 V	6	1/2
GW 95 428	300 mA	125 A	400 V	6	1/2

BDHP - A TYPE (INSTANTANEOUS)



GW 95 446

ADD-ON RESIDUAL CURRENT DEVICES



Code	I_{dn}	Rated current	Rated voltage	No. of modules EN 50022	Pack Carton
No. of poles: 2P					
GW 95 436	30 mA	125 A	230 V	4	1/2
GW 95 438	300 mA	125 A	230 V	4	1/2
No. of poles: 3P					
GW 95 446	30 mA	125 A	400 V	6	1/2
GW 95 448	300 mA	125 A	400 V	6	1/2
No. of poles: 4P					
GW 95 456	30 mA	125 A	400 V	6	1/2
GW 95 458	300 mA	125 A	400 V	6	1/2

BDHP - A[S] TYPE (SELECTIVE)



GW 95 478

ADD-ON RESIDUAL CURRENT DEVICES



Code	I_{dn}	Rated current	Rated voltage	No. of modules EN 50022	Pack Carton
No. of poles: 2P					
GW 95 468	300 mA	125 A	230 V	4	1/2
GW 95 470	1000 mA	125 A	230 V	4	1/2
No. of poles: 3P					
GW 95 478	300 mA	125 A	400 V	6	1/2
GW 95 480	1000 mA	125 A	400 V	6	1/2
No. of poles: 4P					
GW 95 488	300 mA	125 A	400 V	6	1/2
GW 95 490	1000 mA	125 A	400 V	6	1/2

BDHP - TYPE A[IR] ADJUSTABLE BOOSTED IMMUNITY



GW 95 512

ADD-ON RESIDUAL CURRENT DEVICE

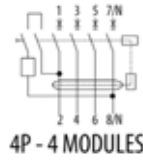
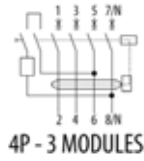
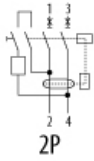


Code	I_{dn}	Time	Rated current	Rated voltage	No. of modules EN 50022	Pack Carton
No. of poles: 4P						
GW 95 512	300-3000 mA	0-150 ms	125 A	400 V	6	1/2

CHARACTERISTICS: I_{da} : adjustable 300-500-1000-3000 mA; adjustable tripping time 0-60-150 ms.

Type A[IR] presents greater resistance to mains disturbances and atmospheric discharges in comparison to standard add-on residual current devices. Immunity level 8/20 μ s is 3000 A.

SD - RESIDUAL CURRENT CIRCUIT BREAKERS



SD - AC TYPE (INSTANTANEOUS)



GW 94 627

RESIDUAL CURRENT CIRCUIT BREAKERS



Code	I _{dn}	Rated current	Rated voltage	No. of modules EN 50022	Pack Carton
No. of poles: 2P					
GW 94 616	10 mA	25 A	230 V	2	1/4
GW 94 617	30 mA	25 A	230 V	2	1/4
GW 94 618	100 mA	25 A	230 V	2	1/4
GW 94 619	300 mA	25 A	230 V	2	1/4
GW 94 627	30 mA	40 A	230 V	2	1/4
GW 94 628	100 mA	40 A	230 V	2	1/4
GW 94 629	300 mA	40 A	230 V	2	1/4
GW 94 630	500 mA	40 A	230 V	2	1/4
GW 94 790	30 mA	63 A	230 V	2	1/4
GW 94 791	100 mA	63 A	230 V	2	1/4
GW 94 792	300 mA	63 A	230 V	2	1/4
GW 94 789	500 mA	63 A	230 V	2	1/4
GW 94 793	30 mA	80 A	230 V	2	1/4
GW 94 794	100 mA	80 A	230 V	2	1/4
GW 94 795	300 mA	80 A	230 V	2	1/4
No. of poles: 4P					
GW 94 662	30 mA	25 A	400 V	3	1/4
GW 94 664	300 mA	25 A	400 V	3	1/4
GW 94 667	30 mA	40 A	400 V	3	1/4
GW 94 668	100 mA	40 A	400 V	3	1/4
GW 94 669	300 mA	40 A	400 V	3	1/4
GW 94 670	500 mA	40 A	400 V	3	1/4
GW 94 697	30 mA	25 A	400 V	4	1/3
GW 94 698	100 mA	25 A	400 V	4	1/3
GW 94 699	300 mA	25 A	400 V	4	1/3
GW 94 707	30 mA	40 A	400 V	4	1/3
GW 94 708	100 mA	40 A	400 V	4	1/3
GW 94 709	300 mA	40 A	400 V	4	1/3
GW 94 710	500 mA	40 A	400 V	4	1/3
GW 94 757	30 mA	63 A	400 V	4	1/3
GW 94 758	100 mA	63 A	400 V	4	1/3
GW 94 759	300 mA	63 A	400 V	4	1/3
GW 94 760	500 mA	63 A	400 V	4	1/3
GW 94 761	30 mA	80 A	400 V	4	1/3
GW 94 771	100 mA	80 A	400 V	4	1/3
GW 94 766	300 mA	80 A	400 V	4	1/3
GW 94 777	30 mA	100 A	400 V	4	1/3
GW 94 778	100 mA	100 A	400 V	4	1/3
GW 94 779	300 mA	100 A	400 V	4	1/3
GW 94 780	500 mA	100 A	400 V	4	1/3
GW 95 601	30 mA	125 A	400 V	4	1
GW 95 603	300 mA	125 A	400 V	4	1
GW 95 604	500 mA	125 A	400 V	4	1

to be continued on next page



GW 94 627

(CONTINUE)

RESIDUAL CURRENT CIRCUIT BREAKERS



Code	I _{dn}	Rated current	Rated voltage	No. of modules EN 50022	Pack Carton
No. of poles: 4P (N-conductor left)					
GW 94 637	30 mA	25 A	400 V	4	1/3
GW 94 639	300 mA	25 A	400 V	4	1/3
GW 94 647	30 mA	40 A	400 V	4	1/3
GW 94 649	300 mA	40 A	400 V	4	1/3
GW 94 717	30 mA	63 A	400 V	4	1/3
GW 94 719	300 mA	63 A	400 V	4	1/3
GW 94 727	30 mA	80 A	400 V	4	1/3
GW 94 728	300 mA	80 A	400 V	4	1/3
GW 94 737	30 mA	100 A	400 V	4	1/3
GW 94 739	300 mA	100 A	400 V	4	1/3

SD - A TYPE (INSTANTANEOUS)



GW 94 827

RESIDUAL CURRENT CIRCUIT BREAKERS



Code	I _{dn}	Rated current	Rated voltage	No. of modules EN 50022	Pack Carton
No. of poles: 2P					
GW 94 816	10 mA	25 A	230 V	2	1/4
GW 94 817	30 mA	25 A	230 V	2	1/4
GW 94 818	100 mA	25 A	230 V	2	1/4
GW 94 819	300 mA	25 A	230 V	2	1/4
GW 94 827	30 mA	40 A	230 V	2	1/4
GW 94 828	100 mA	40 A	230 V	2	1/4
GW 94 829	300 mA	40 A	230 V	2	1/4
GW 94 830	500 mA	40 A	230 V	2	1/4
GW 94 837	30 mA	63 A	230 V	2	1/4
GW 94 838	100 mA	63 A	230 V	2	1/4
GW 94 839	300 mA	63 A	230 V	2	1/4
GW 94 840	500 mA	63 A	230 V	2	1/4
GW 94 847	30 mA	80 A	230 V	2	1/4
GW 94 848	100 mA	80 A	230 V	2	1/4
GW 94 849	300 mA	80 A	230 V	2	1/4
No. of poles: 4P					
GW 94 866	10 mA	25 A	400 V	3	1/4
GW 94 867	30 mA	25 A	400 V	3	1/4
GW 94 869	300 mA	25 A	400 V	3	1/4
GW 94 885	30 mA	40 A	230 V	3	1/4
GW 94 897	30 mA	40 A	400 V	3	1/4
GW 94 898	100 mA	40 A	400 V	3	1/4
GW 94 899	300 mA	40 A	400 V	3	1/4
GW 94 900	500 mA	40 A	400 V	3	1/4
GW 94 877	30 mA	25 A	400 V	4	1/3
GW 94 878	100 mA	25 A	400 V	4	1/3
GW 94 879	300 mA	25 A	400 V	4	1/3
GW 94 927	30 mA	40 A	400 V	4	1/3
GW 94 928	100 mA	40 A	400 V	4	1/3
GW 94 929	300 mA	40 A	400 V	4	1/3
GW 94 930	500 mA	40 A	400 V	4	1/3
GW 94 937	30 mA	63 A	400 V	4	1/3
GW 94 938	100 mA	63 A	400 V	4	1/3
GW 94 939	300 mA	63 A	400 V	4	1/3
GW 94 940	500 mA	63 A	400 V	4	1/3
GW 94 947	30 mA	80 A	400 V	4	1/3
GW 94 948	100 mA	80 A	400 V	4	1/3
GW 94 949	300 mA	80 A	400 V	4	1/3
GW 94 957	30 mA	100 A	400 V	4	1/3
GW 94 958	100 mA	100 A	400 V	4	1/3
GW 94 959	300 mA	100 A	400 V	4	1/3
GW 94 960	500 mA	100 A	400 V	4	1/3
GW 95 606	30 mA	125 A	400 V	4	1
GW 95 608	300 mA	125 A	400 V	4	1
GW 95 609	500 mA	125 A	400 V	4	1
No. of poles: 4P (N-conductor left)					
GW 94 552	30 mA	25 A	400 V	4	1/3
GW 94 554	300 mA	25 A	400 V	4	1/3
GW 94 557	30 mA	40 A	400 V	4	1/3
GW 94 559	300 mA	40 A	400 V	4	1/3
GW 94 907	30 mA	63 A	400 V	4	1/3
GW 94 909	300 mA	63 A	400 V	4	1/3

SD - A[IR] TYPE (IMPULSE RESISTANT)



GW 95 686

RESIDUAL CURRENT CIRCUIT BREAKERS



Code	Idn	Rated current	Rated voltage	No. of modules EN 50022	Pack Carton
No. of poles: 2P					
GW 95 651	30 mA	25 A	230 V	2	1/4
GW 95 656	30 mA	40 A	230 V	2	1/4
GW 95 661	30 mA	63 A	230 V	2	1/4
No. of poles: 4P					
GW 95 676	30 mA	25 A	400 V	4	1/3
GW 95 678	300 mA	25 A	400 V	4	1/3
GW 95 681	30 mA	40 A	400 V	4	1/3
GW 95 683	300 mA	40 A	400 V	4	1/3
GW 95 686	30 mA	63 A	400 V	4	1/3
GW 95 688	300 mA	63 A	400 V	4	1/3
GW 95 696	30 mA	100 A	400 V	4	1/3
GW 95 698	300 mA	100 A	400 V	4	1/3

CHARACTERISTICS: type A[IR] presents greater resistance to mains disturbances and atmospheric discharges in comparison to standard residual current circuit breakers. Immunity level 8/20 μs is 3000 A.

SD - A[S] TYPE (SELECTIVE)



GW 94 976

RESIDUAL CURRENT CIRCUIT BREAKERS



Code	Idn	Rated current	Rated voltage	No. of modules EN 50022	Pack Carton
No. of poles: 2P					
GW 94 924	300 mA	40 A	230 V	2	1/4
GW 94 934	300 mA	63 A	230 V	2	1/4
GW 94 944	300 mA	80 A	230 V	2	1/4
No. of poles: 4P					
GW 94 966	300 mA	40 A	400 V	4	1/3
GW 94 976	300 mA	63 A	400 V	4	1/3
GW 94 986	300 mA	80 A	400 V	4	1/3
GW 94 996	300 mA	100 A	400 V	4	1/3

SD - B[IR] TYPE (IMPULS RESISTANT)



GW 95 701

RESIDUAL CURRENT CIRCUIT BREAKERS



Code	Idn	Rated current	Rated voltage	No. of modules EN 50022	Pack Carton
No. of poles: 2P					
GW 95 701	30 mA	25 A	230 V	4	1
GW 95 706	30 mA	40 A	230 V	4	1
No. of poles: 4P					
GW 95 716	30 mA	25 A	400 V	4	1
GW 95 718	300 mA	25 A	400 V	4	1
GW 95 721	30 mA	40 A	400 V	4	1
GW 95 723	300 mA	40 A	400 V	4	1
GW 95 726	30 mA	63 A	400 V	4	1
GW 95 728	300 mA	63 A	400 V	4	1
GW 95 729	500 mA	63 A	400 V	4	1
GW 95 731	30 mA	80 A	400 V	4	1
GW 95 733	300 mA	80 A	400 V	4	1

CHARACTERISTICS: type B[IR] presents greater resistance to mains disturbances and atmospheric discharges in comparison to standard residual current circuit breakers. Immunity level 8/20 μs is 3000 A.

90 RCD

SD - B[S] TYPE (SELECTIVE)



GW 95 737

RESIDUAL CURRENT CIRCUIT BREAKERS



Code	I_{dn}	Rated current	Rated voltage	No. of modules EN 50022	Pack Carton
No. of poles: 4P					
GW 95 737	300 mA	63 A	400 V	4	1
GW 95 743	300 mA	80 A	400 V	4	1

LOCAL RESIDUAL CURRENT PROTECTION DEVICES

SAFETY SOCKET-OUTLETS WITH RESIDUAL CURRENT PROTECTION



GW 95 921

FLUSH MOUNTING RCD SAFETY SOCKET-OUTLETS - TYPE A - COLOUR POLAR WHITE - IP21

Code	I_{dn}	Rated current	Rated voltage	Pack Carton
GW 95 921	10 mA	16 A	230 V	1/2
GW 95 922	30 mA	16 A	230 V	1/2



GW 95 924

FLUSH MOUNTING RCD SAFETY SOCKET-OUTLETS - TYPE A - COLOUR POLAR WHITE - WATER PROTECTED VERSION IP44

Code	I_{dn}	Rated current	Rated voltage	Pack Carton
GW 95 923	10 mA	16 A	230 V	1/2
GW 95 924	30 mA	16 A	230 V	1/2



GW 95 925

FLUSH-MOUNTING RCD SAFETY UNIT - TYPE A - COLOUR POLAR WHITE - IP41

Code	I_{dn}	Rated current	Rated voltage	Pack Carton
GW 95 925	10 mA	16 A	230 V	1/2
GW 95 926	30 mA	16 A	230 V	1/2



GW 95 928

WALL MOUNTING HOUSING FOR RCD SAFETY SOCKET-OUTLETS AND UNITS

Code	Description	Suitable for	Colour	Pack Carton
GW 95 928	Housing	IP44 socket-outlets	White	5/100

90 IDP

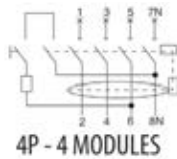
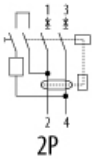
Residual current circuit breakers

The RCCB 90 IDP Series, confirm GEWISS passion for design and manufacturing high-performance circuit breakers, reliable and easy to install and use, paying attention to details with a modern appearance. Suitable for both residential and industrial installations, thanks to its wide range, in terms of current ratings, types of RCCB protections, sensitivity and poles which guarantee the possibility to identify always the best product for every need.



Technical characteristics page 123

IDP NA - RESIDUAL CURRENT CIRCUIT BREAKERS (ACCESSORIES NOT AVAILABLE)



IDP NA - AC TYPE INSTANTANEOUS



GW D4 617

RESIDUAL CURRENT CIRCUIT BREAKERS



Code	Rated current	Idn	Rated voltage	Auxiliaries compatibility	ReStart compatibility	No. of modules EN 50022	Pack Carton
No. of poles: 2P							
GW D4 617	25 A	30 mA	230 V	No	No	2	1/6
GW D4 627	40 A	30 mA	230 V	No	No	2	1/6
No. of poles: 4P							
GW D4 427	25 A	30 mA	400 V	No	No	4	1/3
GW D4 429	25 A	300 mA	400 V	No	No	4	1/3
GW D4 431	40 A	30 mA	400 V	No	No	4	1/3
GW D4 433	40 A	300 mA	400 V	No	No	4	1/3
GW D4 435	63 A	30 mA	400 V	No	No	4	1/3
GW D4 437	63 A	300 mA	400 V	No	No	4	1/3

IDP NA - A TYPE INSTANTANEOUS



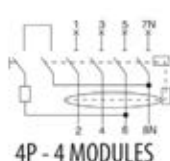
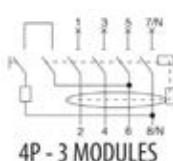
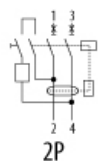
GW D4 817

RESIDUAL CURRENT CIRCUIT BREAKERS



Code	Rated current	Idn	Rated voltage	Auxiliaries compatibility	ReStart compatibility	No. of modules EN 50022	Pack Carton
No. of poles: 2P							
GW D4 817	25 A	30 mA	230 V	No	No	2	1/6
GW D4 827	40 A	30 mA	230 V	No	No	2	1/6
No. of poles: 4P							
GW D4 439	25 A	30 mA	400 V	No	No	4	1/3
GW D4 441	25 A	300 mA	400 V	No	No	4	1/3
GW D4 443	40 A	30 mA	400 V	No	No	4	1/3
GW D4 445	40 A	300 mA	400 V	No	No	4	1/3
GW D4 447	63 A	30 mA	400 V	No	No	4	1/3
GW D4 449	63 A	300 mA	400 V	No	No	4	1/3

IDP - RESIDUAL CURRENT CIRCUIT BREAKERS



IDP - AC TYPE INSTANTANEOUS



GW D4 001

RESIDUAL CURRENT CIRCUIT BREAKERS



Code	Rated current	I _{dn}	Rated voltage	Auxiliaries compatibility	ReStart compatibility	No. of modules EN 50022	Pack Carton
No. of poles: 2P							
GW D4 001	25 A	10 mA	230 V	Yes	Yes	2	1/6
GW D4 002	25 A	30 mA	230 V	Yes	Yes	2	1/6
GW D4 003	25 A	100 mA	230 V	Yes	Yes	2	1/6
GW D4 004	25 A	300 mA	230 V	Yes	Yes	2	1/6
GW D4 022	40 A	30 mA	230 V	Yes	Yes	2	1/6
GW D4 023	40 A	100 mA	230 V	Yes	Yes	2	1/6
GW D4 024	40 A	300 mA	230 V	Yes	Yes	2	1/6
GW D4 025	40 A	500 mA	230 V	Yes	Yes	2	1/6
GW D4 042	63 A	30 mA	230 V	Yes	Yes	2	1/6
GW D4 043	63 A	100 mA	230 V	Yes	Yes	2	1/6
GW D4 044	63 A	300 mA	230 V	Yes	Yes	2	1/6
GW D4 045	63 A	500 mA	230 V	Yes	Yes	2	1/6
GW D4 062	① 80 A	30 mA	230 V	Yes	Yes	2	1/6
GW D4 063	① 80 A	100 mA	230 V	Yes	Yes	2	1/6
GW D4 064	① 80 A	300 mA	230 V	Yes	Yes	2	1/6
GW D4 082	① 100 A	30 mA	230 V	Yes	Yes	2	1/6
GW D4 084	① 100 A	300 mA	230 V	Yes	Yes	2	1/6
No. of poles: 4P							
GW 94 662	25 A	30 mA	400 V	Yes	No	3	1/4
GW 94 664	25 A	300 mA	400 V	Yes	No	3	1/4
GW 94 667	40 A	30 mA	400 V	Yes	No	3	1/4
GW 94 668	40 A	100 mA	400 V	Yes	No	3	1/4
GW 94 669	40 A	300 mA	400 V	Yes	No	3	1/4
GW 94 670	40 A	500 mA	400 V	Yes	No	3	1/4
GW D4 102	25 A	30 mA	400 V	Yes	Yes	4	1/3
GW D4 103	25 A	100 mA	400 V	Yes	Yes	4	1/3
GW D4 104	25 A	300 mA	400 V	Yes	Yes	4	1/3
GW D4 122	40 A	30 mA	400 V	Yes	Yes	4	1/3
GW D4 123	40 A	100 mA	400 V	Yes	Yes	4	1/3
GW D4 124	40 A	300 mA	400 V	Yes	Yes	4	1/3
GW D4 125	40 A	500 mA	400 V	Yes	Yes	4	1/3
GW D4 142	63 A	30 mA	400 V	Yes	Yes	4	1/3
GW D4 143	63 A	100 mA	400 V	Yes	Yes	4	1/3
GW D4 144	63 A	300 mA	400 V	Yes	Yes	4	1/3
GW D4 145	63 A	500 mA	400 V	Yes	Yes	4	1/3
GW D4 162	① 80 A	30 mA	400 V	Yes	Yes	4	1/3
GW D4 163	① 80 A	100 mA	400 V	Yes	Yes	4	1/3
GW D4 164	① 80 A	300 mA	400 V	Yes	Yes	4	1/3
GW D4 182	① 100 A	30 mA	400 V	Yes	Yes	4	1/3
GW D4 183	① 100 A	100 mA	400 V	Yes	Yes	4	1/3
GW D4 184	① 100 A	300 mA	400 V	Yes	Yes	4	1/3
GW D4 185	① 100 A	500 mA	400 V	Yes	Yes	4	1/3
GW 95 601	125 A	30 mA	400 V	Yes	No	4	1
GW 95 603	125 A	300 mA	400 V	Yes	No	4	1
GW 95 604	125 A	500 mA	400 V	Yes	No	4	1

to be continued on next page



GW D4 001

(CONTINUE)
RESIDUAL CURRENT CIRCUIT BREAKERS



Code	Rated current	Idn	Rated voltage	Auxiliaries compatibility	ReStart compatibility	No. of modules EN 50022	Pack Carton
No. of poles: 4P (N-conductor left)							
GW D4 302	25 A	30 mA	400 V	Yes	Yes	4	1/3
GW D4 304	25 A	300 mA	400 V	Yes	Yes	4	1/3
GW D4 322	40 A	30 mA	400 V	Yes	Yes	4	1/3
GW D4 324	40 A	300 mA	400 V	Yes	Yes	4	1/3
GW D4 342	63 A	30 mA	400 V	Yes	Yes	4	1/3
GW D4 344	63 A	300 mA	400 V	Yes	Yes	4	1/3
GW D4 362	① 80 A	30 mA	400 V	Yes	Yes	4	1/3
GW D4 364	① 80 A	300 mA	400 V	Yes	Yes	4	1/3
GW D4 382	① 100 A	30 mA	400 V	Yes	Yes	4	1/3
GW D4 384	① 100 A	300 mA	400 V	Yes	Yes	4	1/3

IDP - A TYPE INSTANTANEOUS



GW D4 011

RESIDUAL CURRENT CIRCUIT BREAKERS



Code	Rated current	Idn	Rated voltage	Auxiliaries compatibility	ReStart compatibility	No. of modules EN 50022	Pack Carton
No. of poles: 2P							
GW D4 011	25 A	10 mA	230 V	Yes	Yes	2	1/6
GW D4 012	25 A	30 mA	230 V	Yes	Yes	2	1/6
GW D4 013	25 A	100 mA	230 V	Yes	Yes	2	1/6
GW D4 014	25 A	300 mA	230 V	Yes	Yes	2	1/6
GW D4 032	40 A	30 mA	230 V	Yes	Yes	2	1/6
GW D4 033	40 A	100 mA	230 V	Yes	Yes	2	1/6
GW D4 034	40 A	300 mA	230 V	Yes	Yes	2	1/6
GW D4 035	40 A	500 mA	230 V	Yes	Yes	2	1/6
GW D4 052	63 A	30 mA	230 V	Yes	Yes	2	1/6
GW D4 053	63 A	100 mA	230 V	Yes	Yes	2	1/6
GW D4 054	63 A	300 mA	230 V	Yes	Yes	2	1/6
GW D4 055	63 A	500 mA	230 V	Yes	Yes	2	1/6
GW D4 072	① 80 A	30 mA	230 V	Yes	Yes	2	1/6
GW D4 073	① 80 A	100 mA	230 V	Yes	Yes	2	1/6
GW D4 074	① 80 A	300 mA	230 V	Yes	Yes	2	1/6
GW D4 092	① 100 A	30 mA	230 V	Yes	Yes	2	1/6
GW D4 093	① 100 A	100 mA	230 V	Yes	Yes	2	1/6
GW D4 094	① 100 A	300 mA	230 V	Yes	Yes	2	1/6
No. of poles: 4P							
GW 94 866	25 A	10 mA	400 V	Yes	No	3	1/4
GW 94 867	25 A	30 mA	400 V	Yes	No	3	1/4
GW 94 869	25 A	300 mA	400 V	Yes	No	3	1/4
GW 94 897	40 A	30 mA	400 V	Yes	No	3	1/4
GW 94 898	40 A	100 mA	400 V	Yes	No	3	1/4
GW 94 899	40 A	300 mA	400 V	Yes	No	3	1/4
GW 94 900	40 A	500 mA	400 V	Yes	No	3	1/4
GW D4 111	25 A	10 mA	400 V	Yes	Yes	4	1/3
GW D4 112	25 A	30 mA	400 V	Yes	Yes	4	1/3
GW D4 113	25 A	100 mA	400 V	Yes	Yes	4	1/3
GW D4 114	25 A	300 mA	400 V	Yes	Yes	4	1/3
GW D4 132	40 A	30 mA	400 V	Yes	Yes	4	1/3
GW D4 133	40 A	100 mA	400 V	Yes	Yes	4	1/3
GW D4 134	40 A	300 mA	400 V	Yes	Yes	4	1/3
GW D4 135	40 A	500 mA	400 V	Yes	Yes	4	1/3
GW D4 152	63 A	30 mA	400 V	Yes	Yes	4	1/3
GW D4 153	63 A	100 mA	400 V	Yes	Yes	4	1/3
GW D4 154	63 A	300 mA	400 V	Yes	Yes	4	1/3
GW D4 155	63 A	500 mA	400 V	Yes	Yes	4	1/3
GW D4 172	① 80 A	30 mA	400 V	Yes	Yes	4	1/3
GW D4 173	① 80 A	100 mA	400 V	Yes	Yes	4	1/3
GW D4 174	① 80 A	300 mA	400 V	Yes	Yes	4	1/3
GW D4 192	① 100 A	30 mA	400 V	Yes	Yes	4	1/3
GW D4 193	① 100 A	100 mA	400 V	Yes	Yes	4	1/3
GW D4 194	① 100 A	300 mA	400 V	Yes	Yes	4	1/3
GW D4 195	① 100 A	500 mA	400 V	Yes	Yes	4	1/3
GW 95 606	125 A	30 mA	400 V	Yes	No	4	1
GW 95 608	125 A	300 mA	400 V	Yes	No	4	1
GW 95 609	125 A	500 mA	400 V	Yes	No	4	1
No. of poles: 4P (N-conductor left)							
GW D4 312	25 A	30 mA	400 V	Yes	Yes	4	1/3
GW D4 314	25 A	300 mA	400 V	Yes	Yes	4	1/3
GW D4 332	40 A	30 mA	400 V	Yes	Yes	4	1/3
GW D4 334	40 A	300 mA	400 V	Yes	Yes	4	1/3
GW D4 352	63 A	30 mA	400 V	Yes	Yes	4	1/3
GW D4 354	63 A	300 mA	400 V	Yes	Yes	4	1/3

IDP - A[IR] TYPE (IMPULSE RESISTANT)



GW D4 217

RESIDUAL CURRENT CIRCUIT BREAKERS



Code	Rated current	Idn	Rated voltage	Auxiliaries compatibility	ReStart compatibility	No. of modules EN 50022	Pack Carton
No. of poles: 2P							
GW D4 202	25 A	30 mA	230 V	Yes	Yes	2	1/6
GW D4 205	40 A	30 mA	230 V	Yes	Yes	2	1/6
GW D4 208	63 A	30 mA	230 V	Yes	Yes	2	1/6
GW D4 211	① 100 A	30 mA	230 V	Yes	Yes	2	1/6
No. of poles: 4P							
GW D4 217	25 A	30 mA	400 V	Yes	Yes	4	1/3
GW D4 218	25 A	300 mA	400 V	Yes	Yes	4	1/3
GW D4 220	40 A	30 mA	400 V	Yes	Yes	4	1/3
GW D4 221	40 A	300 mA	400 V	Yes	Yes	4	1/3
GW D4 223	63 A	30 mA	400 V	Yes	Yes	4	1/3
GW D4 224	63 A	300 mA	400 V	Yes	Yes	4	1/3
GW D4 226	① 100 A	30 mA	400 V	Yes	Yes	4	1/3
GW D4 227	① 100 A	300 mA	400 V	Yes	Yes	4	1/3
No. of poles: 4P (N-conductor left)							
GW D4 317	25 A	30 mA	400 V	Yes	Yes	4	1/3
GW D4 337	40 A	30 mA	400 V	Yes	Yes	4	1/3
GW D4 357	63 A	30 mA	400 V	Yes	Yes	4	1/3

CHARACTERISTICS: type A[IR] presents greater resistance to mains disturbances and atmospheric discharges in comparison to standard residual current circuit breakers. Immunity level 8/20 μs is 3000 A.

IDP - A[S] TYPE (SELECTIVE)



GW D4 249

RESIDUAL CURRENT CIRCUIT BREAKERS



Code	Rated current	Idn	Rated voltage	Auxiliaries compatibility	ReStart compatibility	No. of modules EN 50022	Pack Carton
No. of poles: 2P							
GW D4 234	40 A	300 mA	230 V	Yes	Yes	2	1/6
GW D4 235	40 A	500 mA	230 V	Yes	Yes	2	1/6
GW D4 237	63 A	300 mA	230 V	Yes	Yes	2	1/6
GW D4 238	63 A	500 mA	230 V	Yes	Yes	2	1/6
GW D4 240	① 80 A	300 mA	230 V	Yes	Yes	2	1/6
GW D4 243	① 100 A	300 mA	230 V	Yes	Yes	2	1/6
GW D4 244	① 100 A	500 mA	230 V	Yes	Yes	2	1/6
No. of poles: 4P							
GW D4 249	40 A	300 mA	400 V	Yes	Yes	4	1/3
GW D4 250	40 A	500 mA	400 V	Yes	Yes	4	1/3
GW D4 252	63 A	300 mA	400 V	Yes	Yes	4	1/3
GW D4 253	63 A	500 mA	400 V	Yes	Yes	4	1/3
GW D4 255	① 80 A	300 mA	400 V	Yes	Yes	4	1/3
GW D4 258	① 100 A	300 mA	400 V	Yes	Yes	4	1/3
GW D4 259	① 100 A	500 mA	400 V	Yes	Yes	4	1/3

IDP - B[IR] TYPE (IMPULSE RESISTANT)



GW 95 701

RESIDUAL CURRENT CIRCUIT BREAKERS



Code	Rated current	Idn	Rated voltage	Auxiliaries compatibility	ReStart compatibility	No. of modules EN 50022	Pack Carton
No. of poles: 2P							
GW 95 701	25 A	30 mA	230 V	Yes	No	4	1
GW 95 706	40 A	30 mA	230 V	Yes	No	4	1
No. of poles: 4P							
GW 95 716	25 A	30 mA	400 V	Yes	No	4	1
GW 95 718	25 A	300 mA	400 V	Yes	No	4	1
GW 95 721	40 A	30 mA	400 V	Yes	No	4	1
GW 95 723	40 A	300 mA	400 V	Yes	No	4	1
GW 95 726	63 A	30 mA	400 V	Yes	No	4	1
GW 95 728	63 A	300 mA	400 V	Yes	No	4	1
GW 95 729	63 A	500 mA	400 V	Yes	No	4	1
GW 95 731	80 A	30 mA	400 V	Yes	No	4	1
GW 95 733	80 A	300 mA	400 V	Yes	No	4	1

CHARACTERISTICS: type B[IR] presents greater resistance to mains disturbances and atmospheric discharges in comparison to standard residual current circuit breakers. Immunity level 8/20 μ s is 3000 A.

IDP - B[S] TYPE (SELECTIVE)



GW 95 737

RESIDUAL CURRENT CIRCUIT BREAKERS



Code	Rated current	Idn	Rated voltage	Auxiliaries compatibility	ReStart compatibility	No. of modules EN 50022	Pack Carton
No. of poles: 4P							
GW 95 737	63 A	300 mA	400 V	Yes	No	4	1
GW 95 743	80 A	300 mA	400 V	Yes	No	4	1

RESTART RD

RESTART RD - VERSIONS TO BE COUPLED WITH RCCB'S IDP



GW 90 967

AUTOMATIC RECLOSING DEVICES WITH PREVENTIVE CHECK OF THE INSULATION - PRO VERSION



Code	Suitable for	Rated voltage (V)	No. of modules EN 50022	Pack Carton
GW 90 967	IDP RCCBs - 2P/4P up to 100 A - 30 mA	230V	3	1/4
GW 90 969	IDP RCCBs - 2P/4P up to 100 A - 100/300/500 mA	230V	3	1/4

CHARACTERISTIC: after RCCB has tripped, ReStart checks the insulation prior to the automatic reclosure. In the event of a fault (earth leakage), ReStart will not reset the circuit breaker but will continue to monitor the circuit every 2 minutes reclosing the circuit breaker when safe to do so. In the meantime the integrated configurable auxiliary contact will change state to indicate the automatic reset did not take place.

NOTE: cannot be used with 4P RCCBs in 3 modules and type B RCCBs. The ARD must be supplied at 230 V ac phase-neutral.

AUXILIARIES AND ACCESSORIES FOR RESIDUAL CURRENT CIRCUIT BREAKER

ELECTRICAL AUXILIARIES FOR RCCBS IDP



GW D6 002

AUXILIARY CONTACTS FOR OPEN/CLOSED POSITION

Code	Suitable for	Contact rating in AC	Contact rating in DC	Type of contacts	No. of modules EN 50022	Pack Carton
GW D6 002	IDP 25-100A 2P-4P	6 A (230 V) 3 A (400 V)	6 A (24 V) 2 A (60 V) 1.5 A (110 V) 1 A (250 V)	1 Changeover	0.5	1/16
GW 96 003	IDP 4P - 3 modules	6 A (230 V) 2 A (400 V)	4 A (24 V) 1 A (110 V)	1 NO - 1 NC	0.5	1/12
GW 96 005	IDP 125 A	5 A (230 V) 0.5 A (400 V)		1 NO - 1 NC	0.5	1
GW 96 007	IDP B type	5 A (230 V)	0.5 A (220 V)	1 NO - 1 NC	0.5	1

APPLICATIONS: signals the position of circuit breaker contacts, when manually open or tripped.



GW D6 007

FAULT INDICATOR SWITCH

Code	Suitable for	Contact rating in AC	Contact rating in DC	Type of contacts	No. of modules EN 50022	Pack Carton
GW D6 007	IDP 25-100A 2P-4P	6 A (230 V) 3 A (400 V)	6 A (24 V) 2 A (60 V) 1.5 A (110 V) 1 A (250 V)	1 Changeover	0.5	1/16
GW 96 004	IDP 4P - 3 modules	6 A (230 V) 2 A (400 V)	4 A (24 V) 1 A (110 V)	1 NO - 1 NC	0.5	1/12

APPLICATIONS: indicates the automatic trip of the circuit breaker due to an earth leakage. In the event of manual manoeuvring, it does not indicate the change of position of the contacts.

NOTE: cannot be used with type B RCCBs.



GW D6 010

ADJUSTABLE AUXILIARY CONTACT OR FAULT INDICATOR SWITCH

Code	Suitable for	Contact rating in AC	Contact rating in DC	Type of contacts	No. of modules EN 50022	Pack Carton
GW D6 010	IDP 25-100A 2P-4P	6 A (230 V) 3 A (400 V)	6 A (24 V) 2 A (60 V) 1.5 A (110 V) 1 A (250 V)	1 Changeover	0.5	1/16

APPLICATIONS: using the specific button key, 2 separate functions can be obtained: signalling of automatic trip of the circuit breaker (fault indicator switch) or indication of the circuit breaker contact position (auxiliary contact).

NOTE: cannot be used with 4P RCCBs in 3 modules and type B RCCBs.



GW D6 013

SHUNT TRIP RELEASES

Code	Suitable for	Rated voltage (V)	No. of modules EN 50022	Pack Carton
GW D6 013	IDP 25-100A 2P-4P	12-48 ac/dc	1	1/8
GW D6 015	IDP 25-100A 2P-4P	110-125 dc 110-415 ac	1	1/8
GW 96 015	IDP 4P - 3 modules	230 AC	0.5	1/12

APPLICATIONS: used for the remote trip of the coupled circuit breaker.

CHARACTERISTICS: minimum operating voltage: 0.7 Vn min. maximum operating voltage: 1.1 Vn max.

NOTE: cannot be used with type B RCCBs.



GW D6 019

UNDER VOLTAGE RELEASES (DELAYED)

Code	Suitable for	Rated voltage (V)	No. of modules EN 50022	Pack Carton
GW D6 019	① IDP 25-100A 2P-4P	230 AC	1	1/8
GW D6 020	① IDP 25-100A 2P-4P	24 ac/dc	1	1/8
GW D6 021	① IDP 25-100A 2P-4P	48 ac/dc	1	1/8

APPLICATIONS: constantly controls the effective value of the voltage, and trips the coupled circuit breaker when the voltage falls below its minimum value. The 300ms delay allows any tiny blackouts to be avoided, preventing the untimely tripping of circuit breaker.

NOTE: cannot be used with 4P RCCBs in 3 modules and type B RCCBs.

ACCESSORIES FOR RCCB'S - IDP



GW D6 026

COUPLE OF SEALABLE SCREW CAPS

Code	Suitable for	Pack Carton
GW D6 026	IDP 25-100A 2P	1/50
GW D6 027	IDP 25-100A 4P	1/10
GW 96 038	IDP 4P - 3 modules	1/10

NOTE: cannot be used with type B RCCBs.

MONOBLOC BUSBARS



GW 96 507 F

MONOBLOC BUSBARS 2P

Code	Type of main	Type of outgoing	Rated current	Pack Carton
Length: 13 modules				
GW 96 507 F	IDP/MDC/MT 2P	11 MTC 1P+N/2P	63 A	1/10

ACCESSORY SUPPLIED: closing plug (to be used only if the busbar is cut); plumbable screw caps with an adhesive indicating voltage presence.

APPLICATIONS: busbars indicated for domestic enclosures.

90 AM

Modular accessories

The 90 AM range, in addition to auxiliaries common for the all circuit breakers, comprises many modular accessories for the protection, command, programming, measurement and signalling in electrical systems.



Technical characteristics page 125

AUXILIARIES AND ACCESSORIES FOR MODULAR CIRCUIT BREAKERS

ELECTRICAL AUXILIARIES FOR CIRCUIT BREAKERS MTC / MT / MTHP / MDC



GW 96 001

AUXILIARY CONTACT OF OPEN/CLOSED POSITION

Code	Contact rating in AC	Contact rating in DC	Type of contacts	No. of modules EN 50022	Pack Carton
GW 96 001	6 A (230 V) 3 A (400 V)	6 A (24 V) 2 A (60 V) 1.5 A (110 V) 1 A (250 V)	1 Changeover	0.5	1/16

APPLICATIONS: signals the position of circuit breaker contacts, when manually open or tripped.

NOTE: up to max. 2 auxiliary contacts can be fitted to each circuit breaker.



GW 96 006

AUXILIARY CONTACT OF FAULT INDICATOR SWITCH

Code	Contact rating in AC	Contact rating in DC	Type of contacts	No. of modules EN 50022	Pack Carton
GW 96 006	6 A (230 V) 3 A (400 V)	6 A (24 V) 2 A (60 V) 1.5 A (110 V) 1 A (250 V)	1 Changeover	0.5	1/16

APPLICATIONS: signals the automatic trip of the circuit breaker caused by overloading, short-circuiting or earth leakage.

In the event of manual manoeuvring, it does not indicate the change of position of the contacts.

NOTE: up to max. 2 auxiliary contacts can be fitted to each circuit breaker.



GW 96 009

ADJUSTABLE AUXILIARY CONTACT OF FAULT INDICATOR SWITCH OR OPEN/CLOSED POSITION

Code	Contact rating in AC	Contact rating in DC	Type of contacts	No. of modules EN 50022	Pack Carton
GW 96 009	6 A (230 V) 3 A (400 V)	6 A (24 V) 2 A (60 V) 1.5 A (110 V) 1 A (250 V)	1 Changeover	0.5	1/16

APPLICATIONS: using the specific button key, 2 separate functions can be obtained: signalling of automatic trip of the circuit breaker (auxiliary contact of fault indicator switch) or signalling of the circuit breaker contact position (auxiliary contact of position).

NOTE: up to max. 2 auxiliary contacts can be fitted to each circuit breaker.



GW 96 012

SHUNT TRIP RELEASES

Code	Rated voltage (V)	No. of modules EN 50022	Pack Carton
GW 96 011	12-48 ac/dc	1	1/8
GW 96 012	110-125 dc 110-415 ac	1	1/8

APPLICATIONS: used for the remote trip of the coupled circuit breaker.

CHARACTERISTICS: minimum operating voltage: 0.7 Vn min. Maximum operating voltage: 1.1 Vn max.

NOTE: up to max. one release (shunt trip or under voltage) can be fitted to each circuit breaker with an auxiliary contact.



GW 96 016

UNDER VOLTAGE RELEASES (DELAYED)

Code	Rated voltage (V)	No. of modules EN 50022	Pack Carton
GW 96 016	230 ac	1	1/8
GW 96 017	24 ac/dc	1	1/8
GW 96 018	48 ac/dc	1	1/8

APPLICATIONS: constantly controls the effective value of the voltage, and trips the coupled circuit breaker when the voltage falls below its minimum value.

The 300 ms delay allows any tiny blackouts to be avoided, preventing the untimely tripping of circuit breaker.

NOTE: up to max. one release (shunt trip or under voltage) can be fitted to each circuit breaker with an auxiliary contact.

ACCESSORIES FOR CIRCUIT BREAKERS MTC / MT / MTHP / MDC



GW 96 022

SEALABLE SCREW CAPS

Code	Suitable for	Nr. pieces per module	Pack Carton
GW 96 022	MTC/MT/MDC	2	10/100
GW 96 026	MTHP/BDHP	1	10/100

APPLICATIONS: allows for sealing of terminal screws, preventing access to cable connections.



GW 96 042

POLE SEPARATOR

Code	Suitable for	Pack Carton
GW 96 042	MT/MDC	10/100

ELECTRICAL AUXILIARIES FOR RCCB'S - SD



GW 96 007

AUXILIARY CONTACTS FOR OPEN/CLOSED POSITION

Code	Suitable for	Contact rating in AC	Contact rating in DC	Type of contacts	No. of modules EN 50022	Pack Carton
GW 96 003	SD 4P - 3 modules	6 A (230 V) 2 A (400 V)	4 A (24 V) 1 A (110 V)	1 NO - 1 NC	0.5	1/12
GW 96 005	SD 125 A	5 A (230 V) 0.5 A (400 V)		1 NO - 1 NC	0.5	1
GW 96 007	SD B type	5 A (230 V)	0.5 A (220 V)	1 NO - 1 NC	0.5	1

APPLICATIONS: signals the position of circuit breaker contacts, when manually open or tripped.

NOTE: the auxiliary contact GW96003 cannot be used with 2P 2 modules RCCB's.



GW 96 004

AUXILIARY CONTACT OF FAULT INDICATOR SWITCH

Code	Suitable for	Contact rating in AC	Contact rating in DC	Type of contacts	No. of modules EN 50022	Pack Carton
GW 96 004	SD 4P - 3 modules	6 A (230 V) 2 A (400 V)	4 A (24 V) 1 A (110 V)	1 NO - 1 NC	0.5	1/12

APPLICATIONS: signals the automatic trip of the circuit breaker due to an earth leakage. In the event of manual manoeuvring, it does not indicate the change of position of the contacts.

NOTES: cannot be used with 2P RCCB's in 2 modules and type B RCCB's.



GW 96 015

SHUNT TRIP RELEASE

Code	Suitable for	Rated voltage (V)	No. of modules EN 50022	Pack Carton
GW 96 015	SD 4P - 3 modules	230 AC	0.5	1/12

APPLICATIONS: used for the remote trip of the coupled circuit breaker.

NOTES: cannot be used with 2P RCCB's in 2 modules and type B RCCB's.

ACCESSORIES FOR RCCB'S - SD



GW 96 036

COUPLE OF SEALABLE SCREW CAPS

Code	Suitable for	Pack Carton
GW 96 036	SD 2P - 2 modules	1/50
GW 96 038	SD 4P - 3 modules	1/10
GW 96 039	SD 4P - 4 modules	1/10

NOTE: cannot be used with type B RCCB's.

ACCESSORIES FOR MODULAR CIRCUIT BREAKERS



GW 96 041

PADLOCKING LEVER BLOCK

Code	Suitable for	Pack Carton
GW 96 041	MTC/MT/MTHP/MDC	10/100

APPLICATIONS: to lock the control lever in "ON" or "OFF" positions. For padlocks max Ø 8mm.



GW D6 766

SPACER INSERT

Code	No. of modules EN 50022	Pack Carton
GW D6 766	0.5	12

CHARACTERISTICS: it reduces heating when modular devices are installed side-by-side and it allows crossing of wiring cables.

APPLICATIONS: it's suggested the use of spacer insert to separate the electromechanical devices (e.g. circuit breakers, contactors, latching relays etc...) from electronic devices (e.g. time switches etc...) for optimum operation.

BUSBARS

MONOBLOC BUSBARS



GW 96 504 F

MONOBLOC BUSBARS 2P

Code	Type of main	Type of outgoing	Rated current	Pack Carton
Length: 13 modules				
GW 96 504 F	IDP/MDC/MT 2P	11 MTC 1P+N/2P	63 A	1/10

ACCESSORY SUPPLIED: closing plug (to be used only if the busbar is cut); plumbable screw caps for SD with an adhesive indicating voltage presence.

APPLICATIONS: busbars indicated for domestic enclosures.

BUSBARS FOR CIRCUIT BREAKERS MTC



GW 96 500

PIN BUSBARS

Code	Type	Colour	Rated current	Pack Carton
Length: 13 modules				
GW 96 500	1P	Grey	80 A	1/25
GW 96 501	1P	Blue	80 A	1/25
Length: 1 meter (56 modules)				
GW 96 988	1P	White	80 A	50

NOTE: not compatible with GW96963 end caps.

BUSBARS FOR CIRCUIT BREAKERS MT / MDC / SD



GW 96 984

PIN BUSBARS

Code	Type	Rated current	Pack Carton
Length: 12 modules			
GW 96 984	1P	63 A	50
GW 96 985	2P	63 A	25
GW 96 986	3P	63 A	25
GW 96 987	4P	80 A	20
Length: 1 meter (56 modules)			
GW 96 988	1P	80 A	50
GW 96 989	2P	63 A	20
GW 96 990	3P	63 A	20
GW 96 991	4P	80 A	15

NOTES: 12 module versions complete with end caps.

The 1P versions are not compatible with GW96963 end caps.

Busbars are suitable also for modular switch-disconnectors with red lever.



GW 96 992

FORK BUSBARS

Code	Type	Rated current	Pack Carton
Length: 12 modules			
GW 96 992	1P	63 A	50
GW 96 993	2P	63 A	25
GW 96 994	3P	63 A	25
GW 96 995	4P	80 A	20
Length: 1 meter (56 modules)			
GW 96 996	1P	63 A	50
GW 96 997	2P	63 A	20
GW 96 998	3P	63 A	20
GW 96 999	4P	80 A	15

NOTES: 12 module versions complete with end caps.

Busbars are suitable also for modular switch-disconnectors with red lever.

WIRING COMPONENTS



GW 96 962

CONNECTION TERMINALS FOR PIN BUSBARS

Code	Suitable for	Type	Length (mm)	Conductors section (mm ²)	Pack Carton
GW 96 503	1P busbar for MTC			6-25	1/50
GW 96 961	1P, 2P, 3P busbar for MT/MDC/IDP	Short	14	25	50
GW 96 962	4P busbar for MT/MDC/IDP	Long	27	25	50



GW 96 963

CLOSING CAPS FOR BUSBARS

Code	Type	Pack Carton
GW 96 963	1P	10
GW 96 964	2P	10
GW 96 965	3P	10
GW 96 966	4P	10

APPLICATIONS: to isolate the ends of the connection busbars.
NOTE: code GW96963 is not compatible with push rod 1P busbars.



GW 96 967

TEETH-COVER ROW FOR BUSBARS

Code	No. teeth-cover	Pack Carton
GW 96 967	5	10

APPLICATIONS: to insulate the unused busbar teeth.

PROTECTION

DISCONNECTABLE FUSE-HOLDERS



GW 96 312

DISCONNECTABLE FUSE-HOLDERS



Code	Rated current	Fuse dimension (mm)	No. of modules EN 50022	Rated voltage	Pack Carton
No. of poles: 1P					
GW 96 206	20 A	8.5x31.5	1	400 V ac	12
GW 96 226	20 A	10.3x38	1	1000 V dc	12
GW 96 205	32 A	10.3x38	1	690 V ac	12
GW 96 207	50 A	14x51	1.5	690 V ac	12
No. of poles: 1P+N					
GW 96 216	20 A	8.5x31.5	2	400 V ac	6
GW 96 220	32 A	10.3x38	1	690 V ac	12
GW 96 215	32 A	10.3x38	2	690 V ac	6
GW 96 217	50 A	14x51	3	690 V ac	6
GW 96 218	100 A	22x58	4	690 V ac	2
No. of poles: 2P					
GW 96 301	20 A	8.5x31.5	2	400 V ac	6
GW 96 227	20 A	10.3x38	2	1000 V dc	6
GW 96 302	32 A	10.3x38	2	690 V ac	6
GW 96 303	50 A	14x51	3	690 V ac	6
No. of poles: 3P					
GW 96 306	20 A	8.5x31.5	3	400 V ac	4
GW 96 307	32 A	10.3x38	3	690 V ac	4
GW 96 308	50 A	14x51	4.5	690 V ac	4
No. of poles: 3P+N					
GW 96 311	20 A	8.5x31.5	4	400 V ac	3
GW 96 312	32 A	10.3x38	4	690 V ac	3
GW 96 313	50 A	14x51	6	690 V ac	3
GW 96 314	100 A	22x58	8	690 V ac	1

APPLICATIONS: protection against low voltage overcurrents in industrial and advanced tertiary application in case of high short-circuit currents.

NOTES: the products GW96226 and GW96227 are suitable for the protection and isolation of the photovoltaic strings too (Utilization category DC20B)

FUSES



GW 72 105

CYLINDRICAL FUSES - TYPE GG

Code	Rated current	Rated voltage AC	Breaking capacity AC	Pack Carton
Dimensions (mm): Ø 8.5 x 31.5				
GW 72 111	2 A	400 V	50 kA	10/100
GW 72 112	4 A	400 V	50 kA	10/100
GW 72 113	6 A	400 V	50 kA	10/100
GW 72 114	10 A	400 V	50 kA	10/100
GW 72 115	16 A	400 V	50 kA	10/100
GW 72 116	20 A	400 V	50 kA	10/100
GW 72 117	25 A	400 V	50 kA	10/100
Dimensions (mm): Ø 10.3 x 38				
GW 72 104	2 A	500 V	120 kA	10/100
GW 72 105	6 A	500 V	120 kA	10/100
GW 72 107	10 A	500 V	120 kA	10/100
GW 72 101	16 A	500 V	120 kA	10/100
GW 72 108	20 A	500 V	120 kA	10/100
GW 72 109	25 A	500 V	120 kA	10/100
GW 72 110	32 A	400 V	120 kA	10/100
Dimensions (mm): Ø 14 x 51				
GW 72 121	25 A	690 V	80 kA	10/100
GW 72 122	32 A	500 V	80 kA	10/100
GW 72 123	40 A	500 V	80 kA	10/100
GW 72 124	50 A	400 V	80 kA	10/100
Dimensions (mm): Ø 22 x 58				
GW 72 103	63 A	690 V	80 kA	10/30



GW 72 131

CYLINDRICAL FUSES - TYPE GPV

Code	Rated current	Rated voltage DC	Breaking capacity DC	Pack Carton
Dimensions (mm): Ø 10.3 x 38				
GW 72 131	6 A	1000 V	30 kA	10
GW 72 132	8 A	1000 V	30 kA	10
GW 72 133	10 A	1000 V	30 kA	10
GW 72 134	12 A	1000 V	30 kA	10
GW 72 135	16 A	1000 V	30 kA	10
GW 72 136	20 A	1000 V	30 kA	10

APPLICATIONS: photovoltaic systems.

MOTOR PROTECTION SWITCHES



GW 96 758

MOTOR PROTECTION SWITCHES

Code	Operating current	Rated voltage (V)	No. of modules EN 50022	Pack Carton
No. of poles: 3P				
GW 96 751	0.1-0.16 A	230/400 ac	3	1/4
GW 96 752	0.16-0.25 A	230/400 ac	3	1/4
GW 96 753	0.25-0.4 A	230/400 ac	3	1/4
GW 96 754	0.4-0.63 A	230/400 ac	3	1/4
GW 96 755	0.63-1 A	230/400 ac	3	1/4
GW 96 756	1-1.6 A	230/400 ac	3	1/4
GW 96 757	1.6-2.5 A	230/400 ac	3	1/4
GW 96 758	2.5-4 A	230/400 ac	3	1/4
GW 96 759	4-6.3 A	230/400 ac	3	1/4
GW 96 760	6.3-10 A	230/400 ac	3	1/4
GW 96 761	10-16 A	230/400 ac	3	1/4
GW 96 762	16-25 A	230/400 ac	3	1/4
GW 96 763	25-40 A	230/400 ac	3	1/4

APPLICATIONS: protection of electric motors both in single-phase and 3-phase distribution. Using an adjustment screw, it is possible to set the thermal tripping threshold within an adjustable value range with a ratio of 1:1.6.

ACCESSORIES FOR MOTOR PROTECTION SWITCHES



GW 96 765

AUXILIARY CONTACTS FOR MOTOR PROTECTION SWITCHES

Code	Contacts Description	No. of contacts	Type of contacts	No. of modules EN 50022	Pack Carton
GW 96 764	Position	2	1 NO + 1 NC	0.5	1/12
GW 96 765	Fault/position indicator	2	CHANGE-OVER	0.5	1/12



GW 96 767

SHUNT TRIP RELEASE FOR MOTOR PROTECTION SWITCHES

Code	Rated voltage (V)	No. of modules EN 50022	Pack Carton
GW 96 767	110-415 ac	1	1/6



GW 96 769

UNDER VOLTAGE RELEASE FOR MOTOR PROTECTION SWITCHES

Code	Rated voltage (V)	No. of modules EN 50022	Pack Carton
GW 96 769	230 ac	1	1/6
GW 96 770	400 ac	1	1/6



GW 96 771

SURFACE-MOUNTING BOX IP54 FOR MOTOR PROTECTION SWITCHES

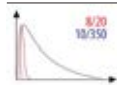
Code	Description	Pack Carton
GW 96 771	Box with rotary manoeuvre	1

SURGE PROTECTIVE DEVICES LST



GW D6 405

SURGE PROTECTIVE DEVICES TYPE 1+2



Code	Impulse current	Maximum discharge current	Rated voltage AC	No. of modules EN 50022	Aux end-of-life contact	Pack Carton
No. of poles: 1P+N						
GW D6 401	12.5 kA	65 kA	230 V	2	No	1
GW D6 404	25 kA	100 kA	230 V	4	Yes	1
No. of poles: 3P+N						
GW D6 402	12.5 kA	65 kA	400 V	4	No	1
No. of poles: 3P+N						
GW D6 405	25 kA	100 kA	400 V	8	Yes	1

CHARACTERISTICS: SPDs are equipped with extractable cartridges with optic end-of-life signal.



GW D6 420

SURGE PROTECTIVE DEVICES TYPE 2



Code	Maximum discharge current	Rated voltage AC	No. of modules EN 50022	Aux end-of-life contact	Pack Carton
No. of poles: 1P					
GW D6 411	40 kA	230 V	1	No	1
GW D6 412	40 kA	230 V	1	Yes	1
GW D6 413	40 kA	400 V	1	No	1
No. of poles: 1P+N					
GW D6 407	20 kA	230 V	2	No	1
GW D6 417	40 kA	230 V	2	No	1
GW D6 418	40 kA	230 V	2	Yes	1
No. of poles: 3P+N					
GW D6 409	20 kA	400 V	4	No	1
GW D6 419	40 kA	400 V	4	No	1
GW D6 420	40 kA	400 V	4	Yes	1

CHARACTERISTICS: SPDs are equipped with extractable cartridges with optic end-of-life signal.



GW D6 426

SURGE PROTECTIVE DEVICES TYPE 2 FOR PHOTOVOLTAIC APPLICATIONS



Code	Maximum discharge current	Rated voltage DC	No. of modules EN 50022	Aux end-of-life contact	Pack Carton
GW D6 426	40 kA	600 V	3	No	1
GW D6 428	40 kA	1000 V	3	No	1

CHARACTERISTICS: SPDs are equipped with extractable cartridges with optic end-of-life signal.



GW D6 430

SURGE PROTECTIVE DEVICES FOR TELECOM AND DATALINE



Code	Maximum discharge current	Rated voltage AC	No. of modules EN 50022	Aux end-of-life contact	Pack Carton
GW D6 430	10 kA	50 V	1	No	1



GW D6 433

EXTRACTABLE SPARE CARTRIDGES FOR LST TYPE 1+2

Code	Type	Impulse current	Pack Carton
Suitable for: GWD6401 and GWD6402			
GW D6 451	Phase	12.5 kA	1
GW D6 452	Neutral	25 kA	1
GW D6 453	Neutral	50 kA	1
Suitable for: GWD6404 and GWD6405			
GW D6 433	Phase	25 kA	1
GW D6 434	Neutral	50 kA	1
GW D6 435	Neutral	100 kA	1

CHARACTERISTICS: a fissure on the base of the surge protection devices will help you to insert the cartridges, and prevents the insertion of the phase cartridge in place of the neutral one, or viceversa.



GW D6 436

EXTRACTABLE SPARE CARTRIDGES FOR LST TYPE 2

Code	Type	Maximum discharge current	Rated voltage	Pack Carton
Suitable for: from GWD6407 to GWD6420				
GW D6 436	Phase	20 kA	230 V ac	1
GW D6 438	Neutral	20 kA		1
GW D6 441	Phase	40 kA	230 V ac	1
GW D6 442	Phase	40 kA	400 V ac	1
GW D6 443	Neutral	40 kA		1

CHARACTERISTICS: a fissure on the base of the surge protection devices will help you to insert the cartridges, and prevents the insertion of the phase cartridge in place of the neutral one, or viceversa.



GW D6 446

EXTRACTABLE SPARE CARTRIDGES FOR LST TYPE 2 FOR PHOTOVOLTAIC APPLICATIONS

Code	Maximum discharge current	Rated voltage	Pack Carton
Suitable for: GWD6426 and GWD6428			
GW D6 446	40 kA	600 V dc	1
GW D6 448	40 kA	1000 V dc	1

PERMANENT AND TRANSIENT SURGE PROTECTIVE DEVICES POP



GW D6 467

POP 2 POLES (COMBINED SPD+POP WITH MCB INCLUDED)

Code	MCB rated current	SPD Maximum discharge current	Rated voltage AC	No. of modules EN 50022	Pack Carton
MCB type: MT 60					
GW D6 464	25 A	15 kA (Type 2)	230 V	5	1/4
GW D6 465	32 A	15 kA (Type 2)	230 V	5	1/4
GW D6 466	40 A	15 kA (Type 2)	230 V	5	1/4
GW D6 467	50 A	15 kA (Type 2)	230 V	5	1/4
GW D6 468	63 A	15 kA (Type 2)	230 V	5	1/4
MCB type: MTC 60					
GW D6 474	25 A	15 kA (Type 2)	230 V	4	1/4
GW D6 475	32 A	15 kA (Type 2)	230 V	4	1/4

CHARACTERISTICS: every kit is made up of:

- 1 x shunt trip release (GW96012)
- 1 x miniature circuit breaker (MT or MTC) 1P+N 6000 A curve C
- 1 x combined SPD+POP device.

APPLICATIONS: protection for single-phase electrical supply network overvoltage.

It protects against transient overvoltage (e.g. lightning) as well as voltage increases which last for an indefinite period (e.g. permanent overvoltages due to the distribution network or to the loss of neutral).

RESIDUAL CURRENT RELAY WITH SEPARATE TOROID



GW 96 331

RESIDUAL CURRENT RELAY FOR DIN RAIL EN 50022 WITH SEPARATE TOROID

Code	Rated voltage (V)	No. of modules EN 50022	Pack Carton
GW 96 331	230 ac	3	1/4

CHARACTERISTICS: the tripping (I_{dn}) and delay (dt) thresholds are adjustable:

I_{dn} (A): 0.03 - 0.05 - 0.1 - 0.25 - 0.3 - 0.35 - 0.5 - 1 - 1.5 - 2 - 3.

dt (s): 0 - 0.25 - 0.5 - 1 - 2 - 3 - 4 - 5 - 6 - 7 - 8 - 10.

NOTE: for the operation of the residual current protection, it is necessary to use: the residual current relay, a suitable toroid, and a release for the associated circuit breaker.



GW 96 332

SEPARATE TOROID FOR RESIDUAL CURRENT RELAY GW96331

Code	Description	Diameter (mm)	Rated current	Pack Carton
GW 96 332	Solid-core toroid	35	125 A	1
GW 96 333	Solid-core toroid	80	400 A	1
GW 96 334	Solid-core toroid	110	630 A	1
GW 96 335	Solid-core toroid	210	1600 A	1
GW 96 336	Split-core toroid	110	630 A	1
GW 96 337	Split-core toroid	210	1600 A	1

COMMAND

SWITCH DISCONNECTORS (EN 60947-3)



GW 96 134

AC SWITCH DISCONNECTORS



Code	Rated current	No. of modules EN 50022	Rated voltage AC	Pack Carton
No. of poles: 1P				
GW 96 104	32 A	1	240 V	6/12
GW 96 105	40 A	1	240 V	6/12
GW 96 146	63 A	1	240 V	6/24
GW 96 147	80 A	1	240 V	6/24
GW 96 148	100 A	1	240 V	6/24
GW 96 149	125 A	1	240 V	6/24
No. of poles: 2P				
GW 96 114	32 A	2	415 V	3/12
GW 96 115	40 A	2	415 V	3/12
GW 96 156	63 A	2	415 V	3/12
GW 96 157	80 A	2	415 V	3/12
GW 96 158	100 A	2	415 V	3/12
GW 96 159	125 A	2	415 V	3/12
No. of poles: 3P				
GW 96 124	32 A	3	415 V	2/8
GW 96 125	40 A	3	415 V	2/8
GW 96 166	63 A	3	415 V	2/8
GW 96 167	80 A	3	415 V	2/8
GW 96 168	100 A	3	415 V	2/8
GW 96 169	125 A	3	415 V	2/8
No. of poles: 4P				
GW 96 134	32 A	4	415 V	1/3
GW 96 135	40 A	4	415 V	1/3
GW 96 176	63 A	4	415 V	1/2
GW 96 177	80 A	4	415 V	1/2
GW 96 178	100 A	4	415 V	1/2
GW 96 179	125 A	4	415 V	1/2

NOTES: they can be combined ONLY with an auxiliary position contact (GW96001 or GW96009, configured for open/closed position). They can be padlocked with the accessory GW96041, to lock the operating lever in either the "ON" or "OFF" position. For padlock of max Ø 8 mm.



GW 96 187

DC ROTARY SWITCH DISCONNECTORS

Code	No. of poles	Rated current	Rated voltage DC	No. of modules EN 50022	Pack Carton
GW 96 186	2P	25 A	600 V	3.5	1
GW 96 187	4P	32 A	1000 V	3.5	1

NOTE: utilisation category DC21B. These switch disconnectors cannot be combined.

ISOLATING SWITCHES (EN 60669-2-4)



GW 96 538

COMPACT ISOLATING SWITCHES



Code	Rated current	No. of modules EN 50022	Rated voltage	Pack Carton
No. of poles: 1P				
GW 96 531	16 A	1	250 V	3/12
GW 96 532	32 A	1	250 V	3/12
No. of poles: 2P				
GW 96 533	16 A	1	250-415 V	3/12
GW 96 534	32 A	1	250-415 V	3/12
No. of poles: 3P				
GW 96 535	16 A	1	250-415 V	1/12
GW 96 536	32 A	1	250-415 V	1/12
No. of poles: 4P				
GW 96 537	16 A	1	250-415 V	1/12
GW 96 538	32 A	1	250-415 V	1/12

NOTES: switch disconnectors cannot be combined.

They can be padlocked with the accessory GW96041, to lock the operating lever in either the "ON" or "OFF" position. For padlocks max Ø 8 mm.

ON-OFF SWITCHES



GW 96 542

ON-OFF SWITCHES WITH INDICATOR LAMP



Code	Rated current	Characteristics	No. of modules EN 50022	Rated voltage	Pack Carton
No. of poles: 1P					
GW 96 539	16 A	With red indicator lamp	1	230 V	3/12
GW 96 540	32 A	With red indicator lamp	1	230 V	1/12
No. of poles: 2P					
GW 96 541	16 A	With red indicator lamp	1	230 V	1/12
GW 96 542	32 A	With red indicator lamp	1	230 V	1/12

ACCESSORIES SUPPLIED: indicator light with LED.

NOTE: they can be padlocked with the accessory GW96041, to lock the operating lever in either the "ON" or "OFF" position. For padlocks with max Ø 8 mm.

LEVER SWITCHES



GW 96 554

LEVER SWITCHES



Code	Rated current	No. of poles	No. of modules EN 50022	Rated voltage	Pack Carton
Type: Change-over switch (1-2)					
GW 96 551	16 A	1P	1	250 V	3/12
GW 96 552	16 A	2P	1	250 V	1/12
Type: Three-way switch (1-0-2)					
GW 96 553	16 A	1P	1	250 V	3/12
GW 96 554	16 A	2P	1	250 V	1/12
Type: Two-ways switch (1-2)					
GW 96 555	16 A	2P (1NO+1NC)	1	250 V	3/12
GW 96 556	32 A	2P (1NO+1NC)	1	250 V	1/12

NOTE: they can be padlocked with the accessory GW96041, to lock the operating lever in either the "ON" or "OFF" position. For padlocks with max Ø 8 mm.

ROTARY SWITCHES



GW 96 851

VOLTMETER SWITCHES

Code	Description	Characteristics	Rated current	Rated voltage	No. of modules EN 50022	Pack Carton
GW 96 851	4 positions	Phase - Neutral	16 A	690 V	3	1/4
GW 96 852	4 positions	Phase - Phase	16 A	690 V	3	1/4
GW 96 853	7 positions	Phase - Phase and Phase - Neutral	16 A	690 V	3	1/4



GW 96 856

AMMETER SWITCH

Code	Description	Rated current	Rated voltage	No. of modules EN 50022	Pack Carton
GW 96 856	4 positions	16 A	690 V	3	1/4

NOTES: the GW96856 can also be used as a single-pole command three-way switch with 4 positions.



GW 96 951

LINE SWITCHES



Code	Description	Characteristics	Rated current	Rated voltage	No. of modules EN 50022	Pack Carton
No. of poles: 2P						
GW 96 951	2 positions		16 A	690 V	3	1/4
GW 96 952	3 positions	0 central	16 A	690 V	3	1/4
GW 96 953	3 positions	With 0 return position	16 A	690 V	3	1/4

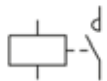
APPLICATIONS: DIN rail three-way switches usable for motor, pump and fan command.

CONTACTORS CTR



GW D6 703

CONTACTORS



Code	Contacts	Control coil voltage (V)	No. of modules EN 50022	Pack Carton
Rated current (AC-1/AC-7a): 20 A - CTR20				
GW D6 701	1NO	230 ac	1	6/24
GW D6 702	2NO	24 ac	1	6/24
GW D6 703	2NO	230 ac	1	6/24
GW D6 705	2NC	230 ac	1	6/24
GW D6 706	1NO+1NC	24 ac	1	6/24
GW D6 707	1NO+1NC	230 ac	1	6/24
GW D6 708	3NO	230 ac	2	3/12
GW D6 709	4NO	230 ac	2	3/12
Rated current (AC-1/AC-7a): 25 A - CTR25				
GW D6 711	2NO	24 ac/dc	2	3/12
GW D6 712	2NO	230 ac - 220 dc	2	3/12
GW D6 713	3NO	230 ac - 220 dc	2	3/12
GW D6 714	4NO	24 ac/dc	2	3/12
GW D6 715	4NO	230 ac - 220 dc	2	3/12
GW D6 716	4NC	24 ac/dc	2	3/12
GW D6 717	4NC	230 ac - 220 dc	2	3/12
GW D6 718	3NO+1NC	230 ac - 220 dc	2	3/12
Rated current (AC-1/AC-7a): 40 A - CTR40				
GW D6 721	2NO	230 ac - 220 dc	3	2/8
GW D6 722	3NO	230 ac - 220 dc	3	2/8
GW D6 723	4NO	24 ac/dc	3	2/8
GW D6 724	4NO	230 ac - 220 dc	3	2/8
GW D6 725	2NO+2NC	230 ac - 220 dc	3	2/8
Rated current (AC-1/AC-7a): 63 A - CTR63				
GW D6 731	2NO	230 ac - 220 dc	3	2/8
GW D6 732	3NO	230 ac - 220 dc	3	2/8
GW D6 733	4NO	24 ac/dc	3	2/8
GW D6 734	4NO	230 ac - 220 dc	3	2/8
GW D6 735	3NO+1NC	230 ac - 220 dc	3	2/8

APPLICATIONS: they are used for automatic control of electrical devices with high number of operations. The switching of contacts happens when the coil is both energized and de-energized. For other applications than AC-1/AC-7a utilization category, please consult the technical pages.

CHARACTERISTICS: they can be combined with auxiliary contacts and sealing terminal covers.

NOTE: it's suggested the use of a spacer insert between adjacent contactors to ensure optimum operation.



GW D6 742

MANUAL CONTROL CONTACTORS

Code	Contacts	Control coil voltage (V)	No. of modules EN 50022	Pack Carton
Rated current (AC-1/AC-7a): 20 A - CTRM20				
GW D6 741	2NO	24 ac	1	6/24
GW D6 742	2NO	230 ac	1	6/24
GW D6 743	2NC	230 ac	1	6/24
GW D6 744	1NO+1NC	230 ac	1	6/24
Rated current (AC-1/AC-7a): 25 A - CTRM25				
GW D6 751	2NO	230 ac - 220 dc	2	3/12
GW D6 752	3NO	230 ac - 220 dc	2	3/12
GW D6 753	4NO	24 ac/dc	2	3/12
GW D6 754	4NO	230 ac - 220 dc	2	3/12

APPLICATIONS: they have a three positions built-in toggle handle switch (A - O - I) to enable permanent opening or closing manually leaving out normal contactor function

Position A: working as normal contactor

Position O: working as manual control contactor (contacts locked mechanically)

Position I: working as manual control contactor (contacts are switched without control coil voltage). When coil is energized the toggle handle switch is automatically set to position A maintaining the previous contacts status.

CHARACTERISTICS: they can be combined with auxiliary contacts and sealing terminal covers

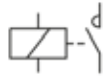
NOTE: it's suggested the use of a spacer insert between adjacent contactors to ensure optimum operation.

INSTALLATION RELAYS RLM



GW D6 601

INSTALLATION RELAY 16 A



Code	Contacts	Control coil voltage (V)	No. of modules EN 50022	Pack Carton
GW D6 601	1NO	8 ac	1	6/24
GW D6 602	1NO	12 ac	1	6/24
GW D6 603	1NO	24 ac	1	6/24
GW D6 604	1NO	230 ac	1	6/24
GW D6 606	1 Changeover	8 ac	1	6/24
GW D6 608	1 Changeover	12 ac/dc	1	6/24
GW D6 610	1 Changeover	24 ac/dc	1	6/24
GW D6 611	1 Changeover	230 ac	1	6/24
GW D6 617	1NO+1NC	12 ac	1	6/24
GW D6 618	1NO+1NC	24 ac	1	6/24
GW D6 619	1NO+1NC	230 ac	1	6/24
GW D6 624	2NO	230 ac	1	6/24
GW D6 626	2 Changeover	8 ac	2	3/12
GW D6 627	2 Changeover	12 ac	2	3/12
GW D6 629	2 Changeover	24 ac/dc	2	3/12
GW D6 630	2 Changeover	230 ac	2	3/12
GW D6 632	4NO	12 ac	2	3/12
GW D6 633	4NO	24 ac	2	3/12
GW D6 634	4NO	230 ac	2	3/12

CHARACTERISTICS: relay with single stable state; the contacts are maintained in switched position only while the control coil is supplied.

APPLICATIONS: command of low voltage circuits with high number of switchovers (lighting, heating and ventilation systems). they have a three positions built-in toggle handle switch (A - 0 - I) to enable permanent opening or closing manually independently of the external commands:

Position A: automatic operation as a momentary relay.

Position 0: operation as a manually commanded momentary relay (contacts locked mechanically in the rest state).

Position I: operation as a manually commanded momentary relay (contacts switched without the need for a remote control with return to automatic on A as soon as the lever is released).

ACCESSORIES FOR CTR CONTACTORS AND RLM INSTALLATION RELAYS



GW D6 761

AUXILIARY CONTACTS

Code	Contacts	Contact rating in AC-15	No. of modules EN 50022	Pack Carton
GW D6 761	2NO	6 A (230 V) 4 A (400 V)	0.5	1/12
GW D6 762	1NO+1NC	6 A (230 V) 4 A (400 V)	0.5	1/12

APPLICATIONS: used in order to signal the contacts position (open or closed).

NOTE: each device can be associated with 1 auxiliary contact. The devices with a AC/DC powered coil cannot be provided with accessories.



GW D6 766

SPACER INSERT

Code	No. of modules EN 50022	Pack Carton
GW D6 766	0.5	12

APPLICATIONS: used in order to have a better heat dissipation when more contactors/relay are installed in adjacent position.

SUGGESTIONS FOR AN OPTIMAL HEAT DISSIPATION:

- Room temperature up to 40°C: 1 spacer every 3 side-by-side devices.

- Room temperature between 40°C and 55°C: 1 spacer every 2 side-by-side devices.



GW D6 764

SEALING TERMINAL COVERS

Code	Suitable for contactor	No. of pieces	Pack Carton
GW D6 763	1 mod. width	2	1/10
GW D6 764	2 mod. width	2	1/10
GW D6 765	3 mod. width	2	1/10

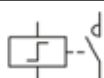
APPLICATIONS: they enable to seal terminal screws, preventing access to cable connections.

LATCHING RELAY RLB



GW D6 652

LATCHING RELAY 16 A



Code	Contacts	Control coil voltage (V)	No. of modules EN 50022	Pack Carton
GW D6 641	1NO	8 ac	1	6/24
GW D6 642	1NO	12 ac	1	6/24
GW D6 643	1NO	24 ac	1	6/24
GW D6 644	1NO	230 ac	1	6/24
GW D6 646	1 Changeover	8 ac	1	6/24
GW D6 647	1 Changeover	12 ac	1	6/24
GW D6 648	1 Changeover	24 ac	1	6/24
GW D6 649	1 Changeover	24 dc	1	6/24
GW D6 650	1 Changeover	230 ac	1	6/24
GW D6 652	1NO+1NC	12 ac	1	6/24
GW D6 653	1NO+1NC	24 ac	1	6/24
GW D6 654	1NO+1NC	230 ac	1	6/24
GW D6 657	2NO	12 ac	1	6/24
GW D6 658	2NO	24 ac	1	6/24
GW D6 659	2NO	230 ac	1	6/24
GW D6 663	2 Changeover	24 ac	2	3/12
GW D6 664	2 Changeover	230 ac	2	3/12
GW D6 667	4NO	12 ac	2	3/12
GW D6 668	4NO	24 ac	2	3/12
GW D6 669	4NO	230 ac	2	3/12

CHARACTERISTIC: relay with 2 stable states; every impulse to the coil switches over the contacts position that is maintained until the next signal.

APPLICATIONS: control of lighting circuits in residential and commercial installations.

It is possible to inhibit the remote command thanks to the ON/OFF frontal selector.

The lever indicates the contacts status and it could be used in order to manual command the relay.

ACCESSORIES FOR LATCHING RELAY RLB



GW D6 676

AUXILIARY CONTACTS

Code	Contacts	Contact rating in AC-15	No. of modules EN 50022	Pack Carton
GW D6 676	1 Changeover	4A (230V)	0.5	1/20
GW D6 677	1NO+1NC	4A (230V)	0.5	1/20
GW D6 678	2NO	4A (230V)	0.5	1/20

APPLICATIONS: used in order to signal the contacts position (open or closed).

NOTE: it is possible to use 1 auxiliary contact for each contactor/relay with AC coil. It is not possible to use accessories with DC coil relays.



GW D6 671

CENTRALIZED COMMAND

Code	Functions	No. of modules EN 50022	Pack Carton
GW D6 671	Central command	0.5	1/20
GW D6 672	Group command	0.5	1/20

NOTE: It is not possible to use accessories with DC coil relays.

APPLICATIONS:

- GWD6671: used to centralize the command in only one point allowing to simultaneously turning ON and OFF 2 or more relays independently by their position. In order to use this function every relay has to mount this accessory.

- GWD6672: used to realize the simultaneously command of 2 or more groups of centralized relays from one point. In order to obtain this function it is necessary to install this accessory for each group of centralized relay.

EXAMPLE: It is possible to centralize the command of a group of relay installed on a building floor (every relay has a GWD6671 coupled). With the GWD6672 it is possible to command from one point 2 or more groups of centralized relays installed on the different buildings floors.



GW D6 766

SPACER INSERT

Code	No. of modules EN 50022	Pack Carton
GW D6 766	0.5	12

APPLICATIONS: used in order to have a better heat dissipation when more contactors/relay are installed in adjacent position.

SUGGESTIONS FOR AN OPTIMAL HEAT DISSIPATION:

- Operating temperature up to 40°C: no limitations.

- Operating temperature between 40°C and 55°C: No limitation for AC coils, 1 spacer every 3 adjacent relays with DC coils:

- Operating temperature between 55°C and 70°C: 1 spacer every 3 adjacent relays with AC coils. It is not possible the adjacent installation of relay with DC coil.

MONITORING RELAYS



GW 96 906

CURRENT MONITORING RELAY - 1 PHASE AC ELECTRICAL SYSTEM

Code	Rated voltage (V)	Controlled current (A)	Output contacts	Contact capacity (A)	No. of modules EN 50022	Pack Carton
GW 96 906	230 ac	10	1 Changeover	5	1	1/8

APPLICATIONS: overcurrent control: the output contact changes status when the measured current exceeds the "MAX" set value.

Undercurrent control: the output contact changes status when the measured current falls below the "MIN" set value.

Window function: the output contact changes status when the measured current is not within the "MIN"- "MAX" set range.

Adjustment of contact switchover delay, from minimum 0.1s to maximum 10s.

For the three operating modes, there is a memory function for exceeding the set threshold.

NOTE: if you need to monitor currents greater than 10A, use a current transformer (CT).

If necessary, connect the output contact with a device (usually a contactor) suitable for the needs of the line to be commanded.



GW 96 907

PHASE MONITORING RELAY - 3 PHASE ELECTRICAL SYSTEM

Code	Rated voltage (V)	Controlled voltage (V)	Adjustable asymmetry	Output contacts	Contact capacity (A)	No. of modules EN 50022	Pack Carton
GW 96 907	230/400 ac	230/400 ac	5% ... 25%	1 Changeover	5	1	1/8

APPLICATIONS: phase sequence check: if the check shows that the phases are not in the correct sequence, the output contact will change its status.

Phase and neutral failure: if one of the three phases or the neutral fails, the output contact will change its status.

Asymmetry check: if the measured asymmetry value exceeds the set threshold, the output contact will change its status.

NOTE: if necessary, connect the output contact with a device (usually a contactor) suitable for the needs of the line to be commanded.



GW 96 908

UNDERVOLTAGE MONITORING RELAY - 1 PHASE AC/DC ELECTRICAL SYSTEM

Code	Rated voltage (V)	Controlled voltage (V)	Output contacts	Contact capacity (A)	No. of modules EN 50022	Pack Carton
GW 96 908	24 ac/dc - 230 ac	24 ac/dc - 230 ac	1 Changeover	5	1	1/8

APPLICATIONS: undervoltage check: when the measured voltage falls below the set value, the output contact will change its status.

The contact switches back again when the measured voltage exceeds the set value plus the hysteresis.

NOTE: if necessary, connect the output contact with a device (usually a contactor) suitable for the needs of the line to be commanded.



GW 96 909

UNDERVOLTAGE MONITORING RELAY - 3 PHASE AC ELECTRICAL SYSTEM

Code	Rated voltage (V)	Controlled voltage (V)	Output contacts	Contact capacity (A)	No. of modules EN 50022	Pack Carton
GW 96 909	230/400 ac	230/400 ac	1 Changeover	5	1	1/8

APPLICATIONS: undervoltage check with variable threshold: when the measured voltage of one of the phases falls below the set value, the output contact will change its status.

The undervoltage threshold can be adjusted from 160 V to 240 V (Phase - Neutral).

NOTE: if necessary, connect the output contact with a device (usually a contactor) suitable for the needs of the line to be commanded.

LOAD MANAGEMENT RELAY P-COMFORT



GW 96 916

LOAD MANAGEMENT RELAY

Code	Rated voltage (V)	Rated current	Relay contact	Contact capacity (A)	No. of modules EN 50022	Pack Carton
GW 96 916	230 ac	32 A	1 NC	16 A AC1	2	1/6

APPLICATION: the P-Comfort relay manages the power of the electrical system up to 6 kW.

In the event of overloading, P-Comfort prevents any electricity supply interruption, disconnecting only the not-preferential loads. After a predefined time lapse, P-Comfort automatically reactivates them, avoiding any inconvenience for the user.

BIOCOMFORT MAIN DISCONNECTION SWITCH



GW 96 339

MAIN DISCONNECTION SWITCH WITH SELF LEARNING FUNCTION

Code	Rated voltage (V)	Rated current	Monitoring voltage (V)	No. of modules EN 50022	Pack Carton
GW 96 339	230 ac	16 A	5 - 230 dc	1	1/2

APPLICATIONS: the BIOCOMFORT disconnection switch reduces the voltage of the electrical system when the loads connected to it in the sleeping area are switched off. It is not necessary to manually adjust the relay tripping threshold because the main disconnection switch, thanks to the self-learning function, automatically learns the value of the current absorbed by the loads and applies it as the tripping threshold. During operation of the disconnection switch, the line downstream of BIOCOMFORT is powered by a continuous monitoring voltage (5-230 V dc). This voltage prevents the formation of electromagnetic fields in the sleeping area and is necessary for restoring the mains voltage (230 V ac) at any moment when a load is switched on.



GW 96 340

BASE LOAD

Code	Rated voltage (V)	Pack Carton
GW 96 340	230 ac	1/5

NOTE: base load necessary for fluorescent lamps, low consumption lamps, halogen lamps with transformer, dimmers, electronic transformers or loads with absorption lower than 30 mA (e.g. loads with stand-by).

PROGRAMMING

TIMERS



GW 96 814

MULTIFUNCTION TIMER

Code	Rated coil voltage (V)	Regulation field	Type of contacts	Contact rating - In	No. of modules EN 50022	Pack Carton
GW 96 814	24...240 ac/dc	0.05 s - 100 h	1 Changeover	8 A	1	1/8

APPLICATIONS: allows to activate and deactivate the power supply to a load for a time set.

NOTE: cannot be used with illuminated push-buttons.



GW 96 815

ASYMMETRICAL CYCLE TIMER

Code	Rated coil voltage (V)	Regulation field	Type of contacts	Contact rating - In	No. of modules EN 50022	Pack Carton
GW 96 815	12...240 ac/dc	0.05 s - 100 h	1 Changeover	8 A	1	1/8

APPLICATIONS: allows to activate and deactivate the power supply to a load, for a time set with different ON and OFF times.

NOTE: cannot be used with illuminated push-buttons.



GW 96 810

STAIRCASE LIGHTING TIME DELAY SWITCHES

Code	Rated voltage (V)	Regulation field	Type of contacts	Contact rating - In	No. of modules EN 50022	Pack Carton
GW 96 810	230 ac	30 s - 20 min	1 NO	16 A	1	1/8
GW 96 813	230 ac	30 s - 20 min	1 NO	16 A	1	1/8

APPLICATIONS: timed management of the lights in passageway environments (stairs, corridors, entrances, etc.).

NOTE: the GW96813 timer has a switch-off warning signalled by the brief opening of the contact.

TIME SWITCHES



GW 96 831

ANALOGUE TIME SWITCHES

Code	Type	Type of contacts	Rated voltage (V)	Charge reserve	No. of modules EN 50022	Pack Carton
GW 96 830	Daily	1 NO	230 ac	No	1	1/8
GW 96 836	Daily	1 NO	230 ac - 110 dc	50 h	1	1/8
GW 96 831	Daily	1 Changeover	230 ac - 130 dc	150 h	3	1/4
GW 96 832	Weekly	1 Changeover	230 ac - 110 dc	150 h	3	1/4

APPLICATIONS: command and management of circuits according to pre-established daily or weekly programming; particularly useful where it is necessary to time the functions and optimise the level of comfort (ventilation, lighting, heating).

NOTE: minimum adjustment of the time switch: 30 minutes (daily), 3 hours (weekly).



GW 96 844

DAILY AND WEEKLY DIGITAL TIME SWITCHES

Code	No. memories	Type of contacts	Rated voltage (V)	Charge reserve	No. modules	Pack Carton
GW 96 846	50	1 Changeover	230 ac	3 years	1	1/4
GW 96 844	50	1 Changeover	230 ac	3 years	2	1/4
GW 96 845	50	2 Changeover	230 ac	3 years	2	1/4

APPLICATIONS: allow the optimal management of circuits such as lighting and heating, to improve comfort levels and reduce electricity consumption.

NOTE: each time memorised is a memory occupied. Minimum adjustment - 1 minute.

CHARACTERISTICS: backlit shield and battery replacement by means of a slide mechanism for codes GW96844 and GW96845.

TWILIGHT SWITCHES



GW 96 891

TWILIGHT SWITCHES (WITH OUTDOOR PROBE)

Code	Rated voltage (V)	Type of contacts	Brightness control	No. memories	No. of modules EN 50022	Pack Carton
GW 96 891	230 ac	1 Changeover	2...500 lux	50	3	1/2
GW 96 892	230 ac	1 NO	2...500 lux		1	1/2

CHARACTERISTICS: GW96891 also includes a digital time switch with charge reserve of 3 years and 1 minute as minimum setting.

APPLICATIONS: command the ON/OFF switching of external lighting devices depending on outside lighting.

The switchover delay prevents untimely interventions.



GW 96 895

OUTDOOR PROBE FOR TWILIGHT SWITCHES (SPARE PART)

Code	Suitable for	Pack Carton
GW 96 895	Twilight switches	1

NOTE: maximum length of the cable connecting the sensor 100 m.

ASTRONOMICAL SWITCH



GW 96 821

ASTRONOMICAL SWITCH (WITHOUT OUTDOOR PROBE)

Code	Rated voltage (V)	Type of contacts	Charge reserve	No. modules	Pack Carton
GW 96 821	230 ac	1 Changeover	3 years	2	1/4

APPLICATIONS: commands the switching ON and OFF of external lighting equipment like a twilight switch but does not require an outdoor probe. Simply select one of the pre-set locations to make the product operate correctly.

CHARACTERISTICS: backlit shield and battery replacement by means of a slide mechanism.

MEASUREMENT

VOLTMETERS



GW 96 861

SINGLE-PHASE ANALOGUE VOLTMETERS WITH DIRECT CONNECTION - 40/60 HZ

Code	Scale	Accuracy	No. of modules EN 50022	Pack Carton
GW 96 861	0-300 V	1.5	3	1/4
GW 96 862	0-500 V	1.5	3	1/4



GW 96 867

SINGLE-PHASE DIGITAL VOLTMETER WITH DIRECT CONNECTION

Code	Scale	Supply voltage	Accuracy	No. of modules EN 50022	Pack Carton
GW 96 867	0-500 V	230 V ac	0.5	2	1/4

AMMETERS



GW 96 871

ANALOGUE AMMETERS - 40/60 HZ

Code	Capacity	Connection	Accuracy	No. of modules EN 50022	Pack Carton
GW 96 871	10 A	Direct	1.5	3	1/4
GW 96 872	20 A	Direct	1.5	3	1/4
GW 96 873	30 A	Direct	1.5	3	1/4
GW 96 878	5 A	Using C.T./5 A	1.5	3	1/4

NOTE: GW96878 does not have a scale. Select the most suitable interchangeable scale based on the primary current of the C.T..



INTERCHANGEABLE SCALES FOR GW96878 ANALOGUE AMMETER

Code	Scale (A)	Pack Carton
GW 96 971	40	1/10
GW 96 972	50	1/10
GW 96 973	60	1/10
GW 96 974	100	1/10
GW 96 975	150	1/10
GW 96 976	250	1/10
GW 96 977	400	1/10
GW 96 978	600	1/10
GW 96 979	1000	1/10
GW 96 980	1200	1/10
GW 96 981	1500	1/10



GW 96 879

DIGITAL AMMETER FOR CONNECTION USING CURRENT TRANSFORMER

Code	Capacity	Supply voltage	Accuracy	No. of modules EN 50022	Pack Carton
GW 96 879	5-999 A	230 V ac	0.5	2	1/4

NOTE: connection using a current transformer (up to 1000 A) with secondary of 5 A.

ENERGY METERS



GW D6 801

SINGLE-PHASE DIGITAL ENERGY METER FOR DIRECT CONNECTION

Code	No. digits	Accuracy	I max (A)	Rated voltage (V)	No. of modules EN 50022	Pack Carton
GW D6 801	5 unit + 2 decimals	1	32 A	230 ac	1	1/5

APPLICATIONS: allows the measurement and visualisation on the display of the active energy values (supplied and absorbed), instantaneous active power (supplied and absorbed), voltage, current, power factor and frequency.

If used with the KNX GW90876 interface, the measured values can be sent on the KNX BUS.



GW D6 808

THREE-PHASE DIGITAL ENERGY METERS - IP20 - DIN RAIL MOUNTING

Code	No. digits	Accuracy	Connection	Rated voltage (V)	No. of modules EN 50022	Pack Carton
GW D6 806	6 unit + 2 decimals	1 (active energy) 2 (reactive energy)	Direct (I max=80 A)	400 ac	4	1/2
GW D6 808	6 unit + 2 decimals	1 (active energy) 2 (reactive energy)	Using C.T./5 A	400 ac	4	1/2

APPLICATIONS: allow the measurement and the visualization on display of the active and reactive energy values (exported and imported), and instantaneous active and reactive power values (exported and imported). If used with the KNX interface GW90876, it allows to communicate on the KNX BUS system the measured values.

CHARACTERISTICS: the meters have two impulse outputs for remote energy consumption control.



GW 90 876

KNX INTERFACE FOR SINGLE-PHASE AND THREE-PHASE ENERGY METERS

Code	No. of modules EN 50022	Pack Carton
GW 90 876	1	1/5

CHARACTERISTICS: to be configured with ETS software.

APPLICATIONS: uses the KNX BUS to send the energy and power values measured by the energy meters GWD6801, GWD6806 and GWD6808. The KNX interface is optically coupled with the energy meters if installed side-by-side.

NOTES: equipped with a coupling terminal for connection to the BUS.

HOUR COUNTER



GW 96 881

HOUR COUNTER

Code	No. digits	Accuracy	No. of modules EN 50022	Pack Carton
GW 96 881	5 unit + 2 decimals	1/100 h (36 s.)	2	1/4

APPLICATIONS: computing the operating hours of electrical devices (motors, machines, tools, adjustment devices etc.).

MULTIMETER



GW 96 897

VOLTAGE/CURRENT MULTIMETER

Code	Type of display	Rated voltage (V)	Measured sizes	Accuracy	No. of modules EN 50022	Pack Carton
GW 96 897	LED 3 units on 3 lines	230 ac	V, I	0.5	2	1/4

NOTE: connection using current transformers (up to 1000 A) with secondary of 5 A.

NETWORK ANALYSER



GW 96 899

NETWORK ANALYSER

Code	Type of display	Measured sizes	Accuracy	No. of modules EN 50022	Pack Carton
GW 96 899	LCD	V, I, F, W, VAR, VA, KWH, kVARH	2	4	1/2

NOTE: connection using current transformers with secondary of 5 A. It allows remote communication of all measured sizes via RS485 (MODBUS RTU).

CURRENT TRANSFORMERS



GW 96 452

CURRENT TRANSFORMERS WITH 5 A SECONDARY

Code	Primary current	Primary circuit with bar	Primary circuit with cable	Performance	Accuracy	Pack Carton
GW 96 441	15 A	Wound		3 VA	1	1
GW 96 442	25 A	Wound		3 VA	1	1
GW 96 443	40 A	Busbar 30x10 mm max	Cable Ø 23 mm max	2 VA	3	1
GW 96 444	50 A	Busbar 30x10 mm max	Cable Ø 23 mm max	2 VA	3	1
GW 96 445	60 A	Busbar 30x10 mm max	Cable Ø 23 mm max	3 VA	3	1
GW 96 446	100 A	Busbar 30x10 mm max	Cable Ø 23 mm max	3 VA	1	1
GW 96 447	150 A	Busbar 30x10 mm max	Cable Ø 23 mm max	3 VA	0.5	1
GW 96 448	250 A	Busbar 30x10 mm max	Cable Ø 23 mm max	5 VA	0.5	1
GW 96 449	400 A	Busbar 30x10 mm max	Cable Ø 23 mm max	6 VA	0.5	1
GW 96 450	600 A	Busbar 30x10 mm max	Cable Ø 23 mm max	10 VA	0.5	1
GW 96 451	1000 A	Busbar 64x20 mm max	Cable Ø 50 mm max	20 VA	0.5	1
GW 96 452	1200 A	Busbar 64x20 mm max	Cable Ø 50 mm max	20 VA	0.5	1
GW 96 453	1500 A	Busbar 64x20 mm max	Cable Ø 50 mm max	30 VA	0.5	1

CHARACTERISTICS: two types of primary circuit: wound type (supplied with busbar or primary terminal already available) and through type (with a hole through which the busbar, or the cable constituting the primary, is passed). Transformers up to 600 A can be installed on DIN rail.

APPLICATIONS: allow the measurement of high currents by analogue and digital ammeters; provide a current to the secondary which is proportional to the primary current.

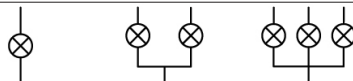
SIGNALLING

INDICATOR LIGHTS



GW 96 592

INDICATOR LIGHTS



Code	Type	Colour	No. of modules EN 50022	Pack Carton
Rated voltage: 12-24-48 V ac/dc				
GW 96 586	Single	Red	1	1/12
GW 96 587	Single	Green	1	1/12
GW 96 588	Single	Yellow	1	1/12
GW 96 589	Single	Blue	1	1/12
GW 96 590	Single	White	1	1/12
Rated voltage: 230 V ac				
GW 96 581	Single	Red	1	3/12
GW 96 582	Single	Green	1	3/12
GW 96 583	Single	Yellow	1	3/12
GW 96 584	Single	Blue	1	3/12
GW 96 585	Single	White	1	3/12
GW 96 591	Double	Green / red	1	1/12
GW 96 592	Triple	Red	1	1/12

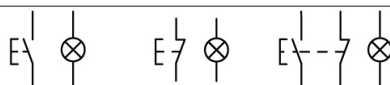
CHARACTERISTICS: indicator light with LED.

ILLUMINATED PUSH-BUTTONS



GW 96 568

ILLUMINATED PUSH-BUTTONS



Code	Contacts	Indicator light colour	Characteristics	Rated current	No. of modules EN 50022	Pack Carton
Rated lamp voltage: 12-24-48 V ac/dc						
GW 96 570	1 NO	Green	Single push-button	16 A	1	1/12
GW 96 571	1 NC	Red	Single push-button	16 A	1	1/12
Rated lamp voltage: 230 V ac						
GW 96 566	1 NO	Green	Single push-button	16 A	1	1/12
GW 96 567	1 NC	Red	Single push-button	16 A	1	1/12
GW 96 568	1 NO + 1 NC	Green	Single push-button	16 A	1	1/12
GW 96 569	1 NO + 1 NC	Red	Single push-button	16 A	1	1/12

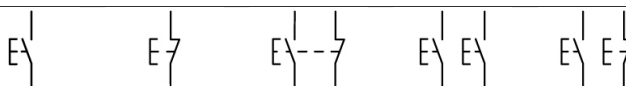
CHARACTERISTICS: indicator light with LED.

PUSH-BUTTONS WITHOUT LIGHTING



GW 96 565

PUSH-BUTTONS



Code	Contacts	Characteristics	Rated current	No. of modules EN 50022	Pack Carton
Rated voltage: 230 V ac					
GW 96 561	1 NO	Single push-button	16 A	1	3/12
GW 96 562	1 NC	Single push-button	16 A	1	3/12
GW 96 563	1 NO + 1 NC	Single push-button	16 A	1	1/12
GW 96 564	1 NO / 1 NO	Double push-button (grey / grey)	16 A	1	1/12
GW 96 565	1 NO / 1 NC	Double push-button (green / red)	16 A	1	1/12

BELLS AND BUZZERS



GW 96 402

BELLS

Code	Rated voltage	Power loss	No. of modules EN 50022	Pack Carton
GW 96 401	12 V	5 VA	1	12
GW 96 402	230 V	10 VA	1	12
GW 96 403	230 V	6.1 VA	2	6

CHARACTERISTICS: GW96403 incorporates a transformer with a very low safety voltage of 24 V-.

APPLICATIONS: acoustic signal of an operation in the domestic and commercial sectors.



GW 96 408

BUZZERS

Code	Rated voltage	Power loss	No. of modules EN 50022	Pack Carton
GW 96 406	12 V	5 VA	1	12
GW 96 407	230 V	10 VA	1	12
GW 96 408	230 V	6.1 VA	2	6

CHARACTERISTICS: GW96408 incorporates a transformer with a very low safety voltage of 24 V-.

APPLICATIONS: acoustic signal of an operation in the domestic and commercial sectors.



GW 96 411

COMBINED TRANSFORMER-BELL-BUZZER

Code	Rated voltage	Power loss	No. of modules EN 50022	Pack Carton
GW 96 411	230 V	3.8 VA	2	4

CHARACTERISTICS: GW96411 incorporates a transformer with a very low safety voltage of 24 V.

TRANSFORMERS



GW 96 421

BELLS TRANSFORMERS (FOR DISCONTINUOUS USE)

Code	Rated power	Primary voltage	Secondary voltage	No. of modules EN 50022	Pack Carton
GW 96 421	6 VA (12 V) 4 VA (8 V) 2 VA (4 V)	230 V	4+8=12 V	2	6
GW 96 422	6 VA (24 V) 3 VA (12 V)	230 V	12+12=24 V	2	6
GW 96 423	10 VA (12 V)/6.6 VA (8 V)/3.3 VA (4 V)	230 V	4+8=12 V	2	6
GW 96 424	10 VA (24 V)/5 VA (12 V)	230 V	12+12=24 V	2	6
GW 96 425	15 VA (12 V)/10 VA (8 V)/5 VA (4 V)	230 V	4+8=12 V	2	6
GW 96 426	15 VA (24 V)/7.5 VA (12 V)	230 V	12+12=24 V	2	6
GW 96 431	30 VA (12 V)/20 VA (8 V)/10 VA (4 V)	230 V	4+8=12 V	3	4
GW 96 432	30 VA (24 V)/15 VA (12 V)	230 V	12+12=24 V	3	4
GW 96 433	40 VA (12 V)/27 VA (8 V)/13 VA (4 V)	230 V	4+8=12 V	3	4
GW 96 434	40 VA (24 V)/20 VA (12 V)	230 V	12+12=24 V	3	4

APPLICATIONS: distribution and realisation of SELV very low voltage safety circuits, with a value lower or equal to 24 V.

They allow electrical separation between the primary and secondary circuits, thus allowing the supply of bells and similar discontinuous operation signalling devices. They can also be used to supply the shunt trip release GW96011 with a rated voltage up to 24 V ac. To know the maximum number of releases that can be supplied with the transformers, refer to the technical characteristics.



GW 96 781

TRANSFORMERS FOR BELLS AND BUZZERS (SWITCH OFF TYPE)

Code	Rated power	Primary voltage	Secondary voltage	No. of modules EN 50022	Pack Carton
GW 96 781	8 VA	230 V	8 V	2	1/6
GW 96 782	12 VA	230 V	24 V	4	1/3



GW 96 783

TERMINAL COVERS

Code	Suitable for	Pack Carton
GW 96 783	GW96781	1/50



GW 96 323

SAFETY TRANSFORMERS

Code	Rated power	Primary voltage	Secondary voltage	No. of modules EN 50022	Pack Carton
GW 96 321	15 VA (12/24 V)	230 V	12+12=24 V	3	4
GW 96 322	25 VA (12/24 V)	230 V	12+12=24 V	3	4
GW 96 323	40 VA (12/24 V)	230 V	12+12=24 V	4	1
GW 96 324	63 VA (12/24 V)	230 V	12+12=24 V	6	1

OTHER ACCESSORIES

ACCESSORIES FOR MOUNTING ON DIN RAIL EN 50022



GW 96 523

SOCKET-OUTLETS FOR MOUNTING ON DIN RAIL EN 50022

Code	No. of poles	Standard	Rated voltage (V)	Rated current	No. of modules EN 50022	Pack Carton
GW 96 522	2P+E	German	250 V ac	16 A	2.5	2/8
GW 96 523	2P+E	German, with lid	250 V ac	16 A	2.5	2/8
GW 96 524	2P+E	French	250 V ac	16 A	2.5	2/8
GW 96 525	2P+E	Italian / German	250 V ac	10/16 A*	2.5	2/8
GW 96 526	2P+E	Danish	250 V ac	16 A	2.5	2/8

* 10 A Italian standard / 16 A German standard

CHORUS RANGE COMPONENTS AND SUPPORTS FOR MOUNTING ON DIN RAIL EN 50022



GW 10 204

ITALIAN/GERMAN STANDARD SOCKET-OUTLETS - 250 V AC

Code	Description	Earth pit	Socket-out type	For plug pins	No. Chorus modules	Pack Carton
GW 10 204	2P+E - 16 A Dual amperage	Side and central	P30-P17	Ø 4 / 4.8 / 5 mm	2	6/48

CHARACTERISTICS: with safety shields.



GW 10 661

EXTRACTABLE ANTI BLACK-OUT LAMP

Code	Supply voltage	Power supply batteries	Minimum autonomy	Lamp	Pack Carton
GW 10 661	230 V ac - 50/60 Hz	Ni - Mh	2 h	LED	1/6

CHARACTERISTICS: equipped with a 3-position selector on the front panel, for anti black-out inhibition and night functioning. To be inserted in any socket-outlet of the Italian, German or French type. Highly efficient, white LED lamp.



GW 16 841

SUPPORTS FOR ASSEMBLING CHORUS DEVICES ON DIN EN 50022 RAIL

Code	Description	No. DIN modules	Pack Carton
GW 16 841	1 gang	1.5	5/300
GW 16 842	2 gang	3	5/150
GW 16 843	3 gang	4	5/50

CHARACTERISTICS: manual release system for Chorus devices, without the need for tools.

NOTES: pay attention when using particularly deep devices (2P three-way switches, electronic one-way switches for heavy-duty loads, movement detectors and IR receivers, relays, German standard socket-outlets with front tightening, quick wiring terminals, British standard socket-outlets, interlocked switched socket-outlet, shaver socket-outlets, USB power supplies, USB and HDMI adapters, miniature circuit breakers and residual current circuit breakers, anti black-out and emergency lamps, ringers and buzzers, thermostats and timed thermostats, programmers, water and gas detectors, power supplies, timers, dimmers, touch commands, electronic push-buttons with interlock, KNX flush-mounting timed thermostats, etc.) as they may interfere with the DIN rail, preventing the correct passage of the wires.

SYSTEM RANGE COMPONENTS AND SUPPORTS FOR MOUNTING ON DIN RAIL EN 50022



GW 20 246

ITALIAN/GERMAN STANDARD SOCKET-OUTLETS - 250 V AC

Code	Description	Earth pit	Type	For plug pins	No. SYSTEM modules	Pack Carton
GW 20 246	2P+E - 16 A Dual amperage	Side and central	P30 - P17	Ø 4 / 4.8 / 5 mm	2	30/120

CHARACTERISTICS: with safety shields.



GW 20 833

EXTRACTABLE ANTI BLACK-OUT LAMP

Code	Supply voltage	Power supply batteries	Autonomy	Type of lamp	No. SYSTEM modules	Pack Carton
GW 20 833	230 V ac - 50/60 Hz	Ni-Mh	2 h	White Led	2	1/4

CHARACTERISTICS: equipped with inhibition selector on the front. Replaceable batteries (use battery pack 4.8 V 40 mAh).



GW 26 409

SUPPORTS FOR ASSEMBLING SYSTEM DEVICES ON DIN RAIL EN 50022

Code	Description	No. of modules EN 50022	Pack Carton
GW 26 409	1 gang	1.5	5/300
GW 26 410	2 gang	3	5/150

90 PV

Products for photovoltaic systems

The 90 PV range comprises 6 versions of string boards able to meet the most varying photovoltaic plant engineering requirements, from the residential context to the commercial/ industrial one. The different versions are distinguished by the number of strings that can be managed, and by the voltage level of the photovoltaic generator. In addition to string boards, the range also includes modular products specifically for the DC side of the photovoltaic system.



Technical characteristics page 128

PREWIRED STRING BOARDS

PREWIRED STRING BOARDS



GW D9 903

PREWIRED STRING BOARDS

Code	No. of strings	Rated current	No. of board modules	Pack Carton
String voltage: 600 V dc				
GW D9 901	2	25 A	1x12	1
GW D9 902	3	25 A	2x12	1
GW D9 903	4	50 A	2x12	1
String voltage: 800 V dc				
GW D9 906	2	20 A	1x12	1
String voltage: 1000 V dc				
GW D9 907	3	32 A	2x12	1
GW D9 908	4	32 A	2x12	1

ACCESSORIES SUPPLIED: cable glands as spare parts and equipotential terminal blocks.
DC fuses not included. Refer to the fuse code list.

DC MODULAR DEVICES

SWITCH DISCONNECTORS



GW 96 187

DC ROTARY SWITCH DISCONNECTORS

Code	No. of poles	Rated current	Rated voltage DC	No. of modules EN 50022	Pack Carton
GW 96 186	2P	25 A	600 V	3.5	1
GW 96 187	4P	32 A	1000 V	3.5	1

NOTE: utilisation category DC21B. These switch disconnectors cannot be combined.

SURGE PROTECTIVE DEVICES LST



GW D6 426

SURGE PROTECTIVE DEVICES TYPE 2 FOR PHOTOVOLTAIC APPLICATIONS

Code	Rated voltage DC	Maximum discharge current	No. of modules EN 50022	Aux end-of-life contact	Pack Carton
GW D6 426	600 V	40 kA	3	No	1
GW D6 428	1000 V	40 kA	3	No	1

CHARACTERISTICS: SPDs are equipped with extractable cartridges with optic end-of-life signal.

DISCONNECTABLE FUSE-HOLDERS



GW 96 227

DISCONNECTABLE FUSE-HOLDERS

Code	No. of poles	Rated current	Rated voltage	Fuse dimension (mm)	No. of modules EN 50022	Pack Carton
GW 96 226	1P	20 A	1000 V dc	10.3x38	1	12
GW 96 227	2P	20 A	1000 V dc	10.3x38	2	6

NOTE: utilization category DC20B.

FUSES



GW 72 131

CYLINDRICAL FUSES - TYPE GPV

Code	Rated current	Rated voltage DC	Breaking capacity DC	Pack Carton
Dimensions (mm): Ø 10.3 x 38				
GW 72 131	6 A	1000 V	30 kA	10
GW 72 132	8 A	1000 V	30 kA	10
GW 72 133	10 A	1000 V	30 kA	10
GW 72 134	12 A	1000 V	30 kA	10
GW 72 135	16 A	1000 V	30 kA	10
GW 72 136	20 A	1000 V	30 kA	10

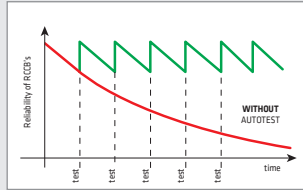
APPLICATIONS: photovoltaic systems.

90 ReStart



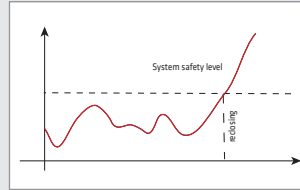
Commercial information page 31

A PROTECTED SYSTEM FOREVER



Thanks to the automatic self-diagnosis system that does not interrupt the power supply, patented by GEWISS, ReStart Autotest guarantees maximum effectiveness of the protection and relieves the user from the need to periodically perform the manual residual current relay triggering test.

CONTINUAL CHECKING GUARANTEED



After a fault, ReStart PRO continuously checks the system until the safety conditions are restored and then proceeds with resetting the circuit breaker. The auxiliary contact also makes it possible to remotely access information about the condition of the system.

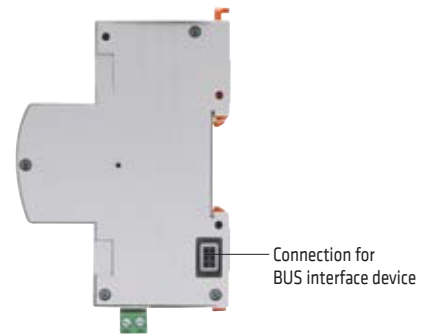
EVERYTHING IN SIGHT



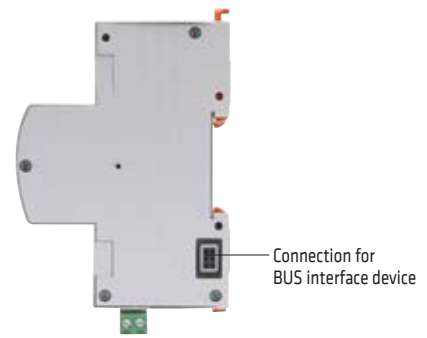
The LEDs positioned on the front of the device provide information about the system's operation status. A quick look is enough to know if the system is functioning correctly, if an automatic test is in progress or if there is a fault.

DEVICE DESCRIPTION

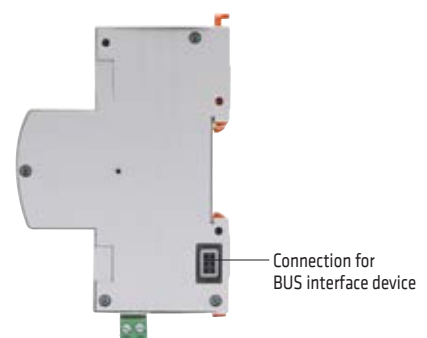
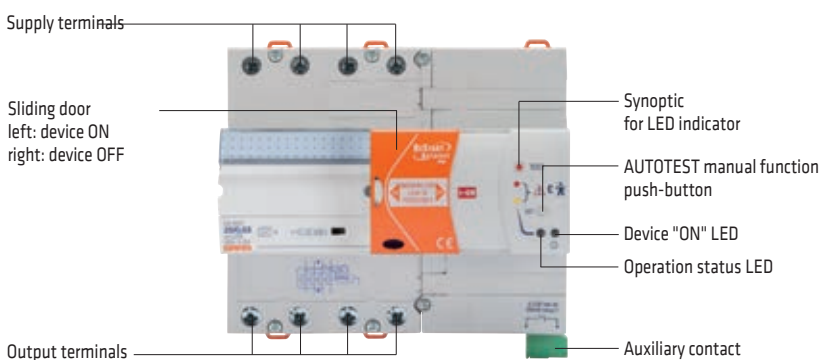
ReStart with Autotest 2P



ReStart with Autotest PRO 2P



ReStart with Autotest PRO 4P

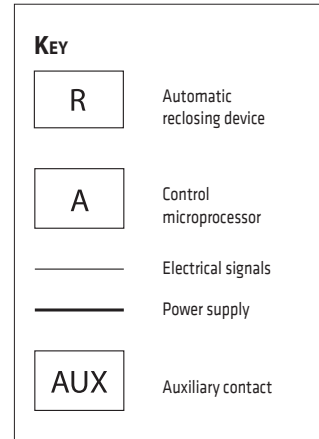
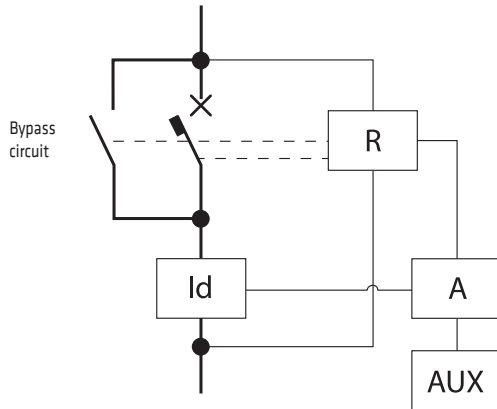


For technical information contact the Technical Assistance Service or visit gewiss.com

AUTOTEST FUNCTION

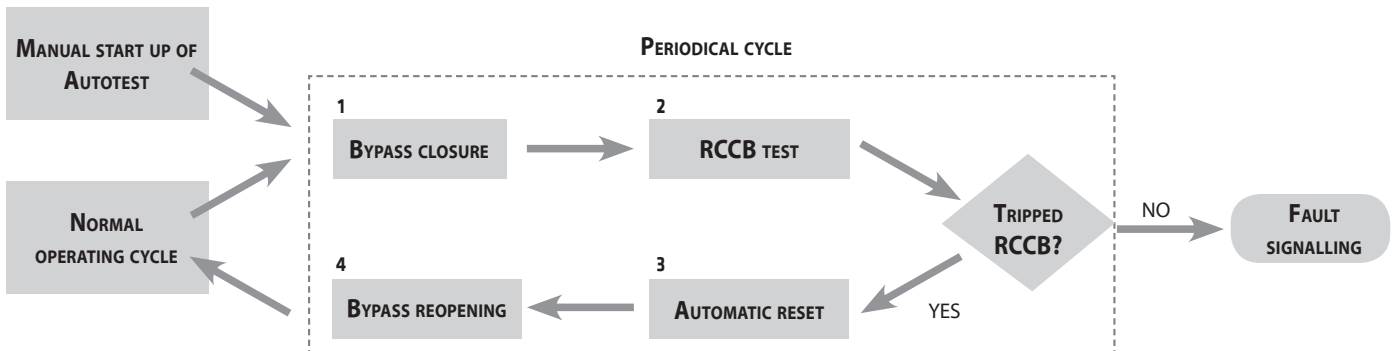
The AUTOTEST function periodically tests the working of the residual current circuit breaker protection. During the test, a bypass circuit ensures electrical continuity meanwhile an additional RCCB protection device guarantees system safety. The automatic reclosing device ensures the automatic resetting of the lever of circuit breaker in ON position. Moreover, pressing the button on the front of the device at any time, Autotest immediately carries out an automatic test on the RCCB without interrupting the power supply. This means test can be carried out during normal day-to-day operations without any inconvenience.

ELECTRICAL DIAGRAM



PERIODICAL TEST FUNCTION

After installation, it is possible to start up the AUTOTEST function manually (pressing the appropriate button) in order to check if the wiring is correct and to synchronise the periodical test function.



90 ReStart

DEVICE DESCRIPTION

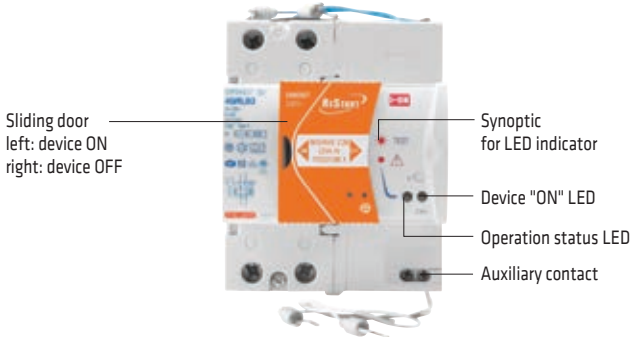
ReStart Rd 2P



ReStart Rm 2P



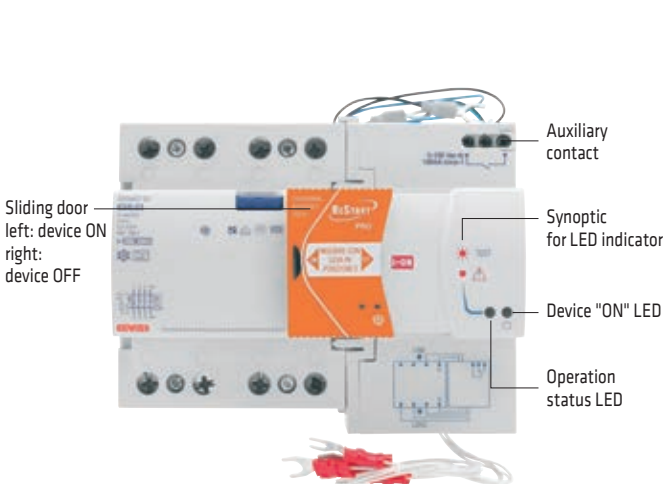
ReStart Rd PRO 2P



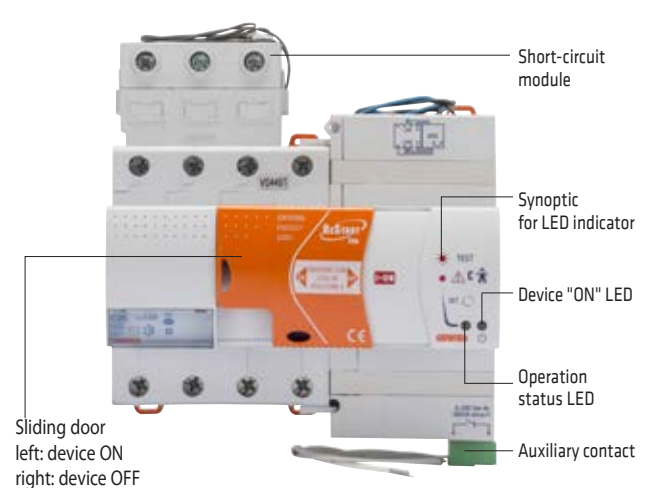
ReStart Rm PRO 2P



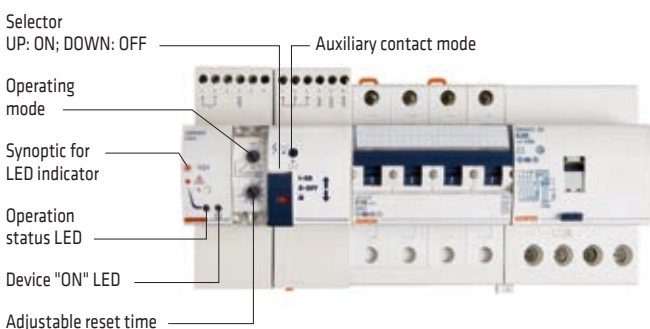
ReStart Rd PRO 4P



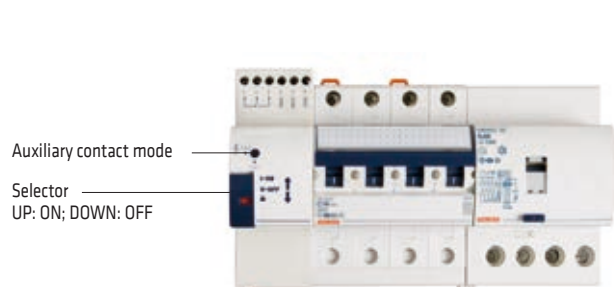
ReStart Rm PRO 4P



ReStart Rm TOP



ReStart Cm

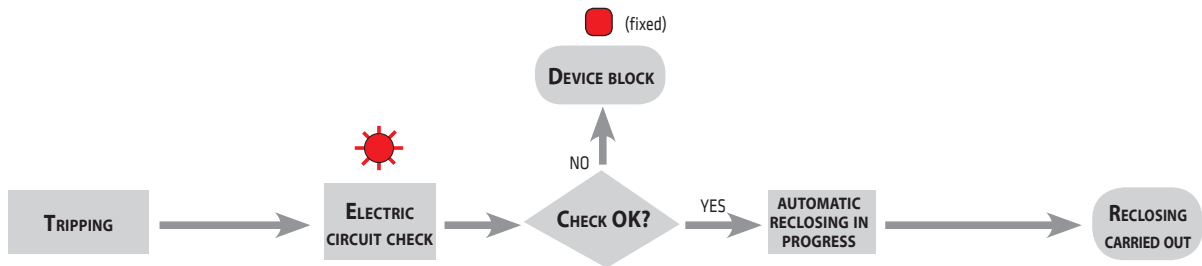


For technical information contact the Technical Assistance Service or visit www.gewiss.com

AUTOMATIC RECLOSING FUNCTION

ReStart with Autotest, Rd and Rm

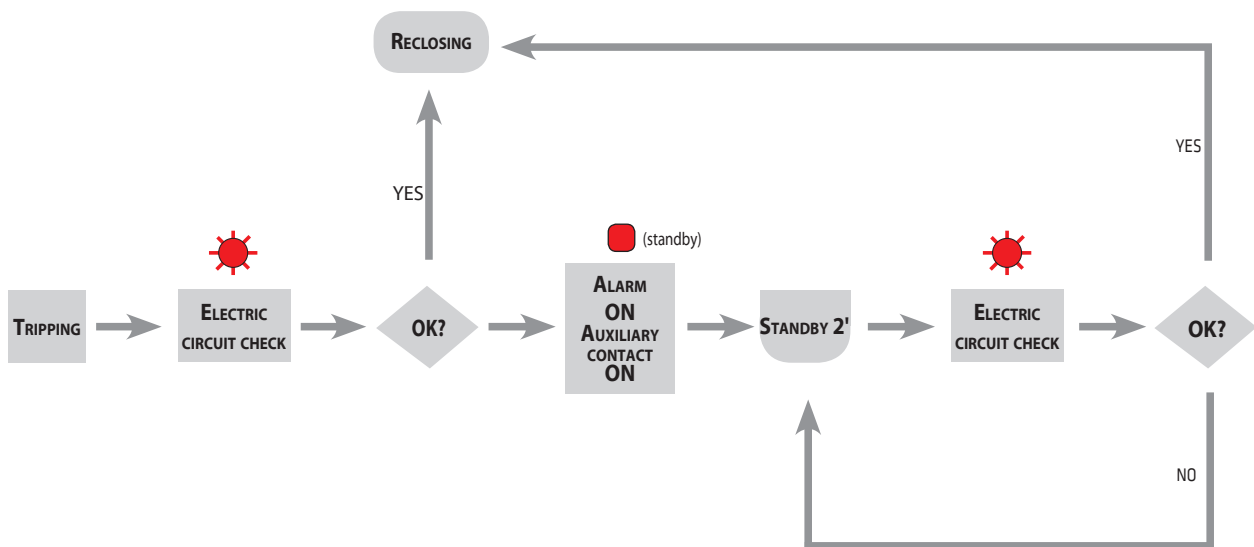
The automatic reclosing is carried out after an untimely tripping of the circuit breaker but only after an electrical circuit check. If a fault is found, the device sets itself on block condition and signals the fault by means of the front LED indicator.



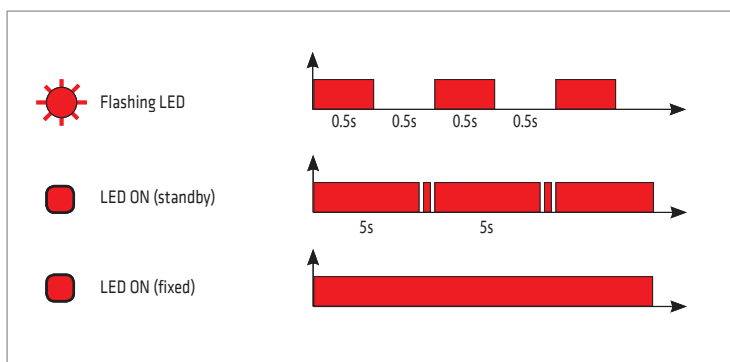
RESTART WITH AUTOTEST, RD AND RM PRO VERSION

The circuit breaker is reclosed after an untimely tripping of the circuit breaker but only after a system check.

When the system check gives a negative result, the device goes into standby and signals this condition by means of the frontal LED indicator. System checks will then be carried out at 2' intervals, and the device will only reclose when the result of the test is positive. If no positive result is obtained, the device will remain in standby until the next test, or until a manual reset. The auxiliary contact signals the system fault.



KEY

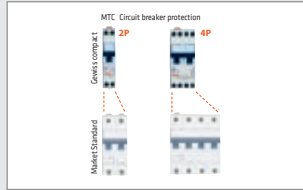


90 MCB



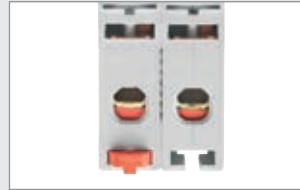
Commercial information page 37

SPACE SAVING



By using the compact MTC circuit breakers, it is possible to protect 2 pole in one module length; this operation guarantees a space saving (up to 50%) which allows the installation of smaller boards and therefore the cost is cheaper. Therefore, it is possible to install smaller sized boards, which also provides a cost savings.

MAXIMUM SAFETY



In addition to the characteristic of the double DIN clip, which allows a more steady mounting and facilitates maintenance operations, the terminals are supplied with protective and sliding insulation insert for the maximum safety of tightening and against any possible contacts with live parts.

ACCESSORIES TO SIMPLIFY USE

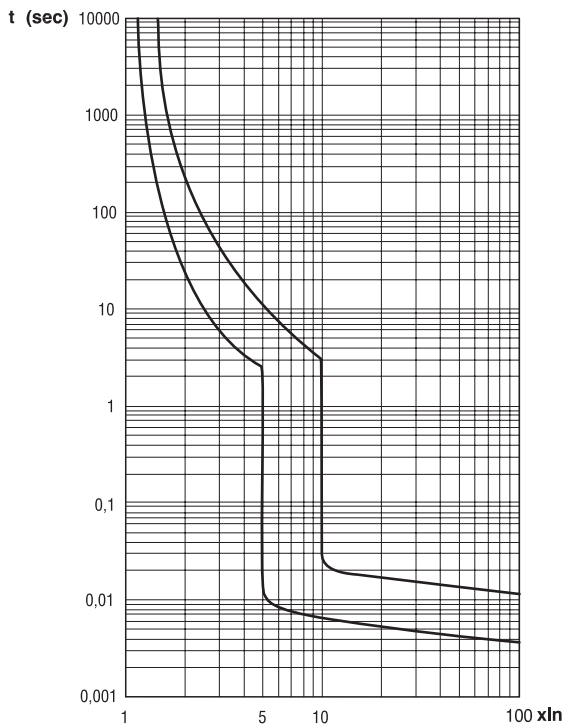


Modular circuit breakers of 90 MCB Range can be perfectly integrated with electrical auxiliary of 90 Range, ensuring a more simple use and managing of accessories.

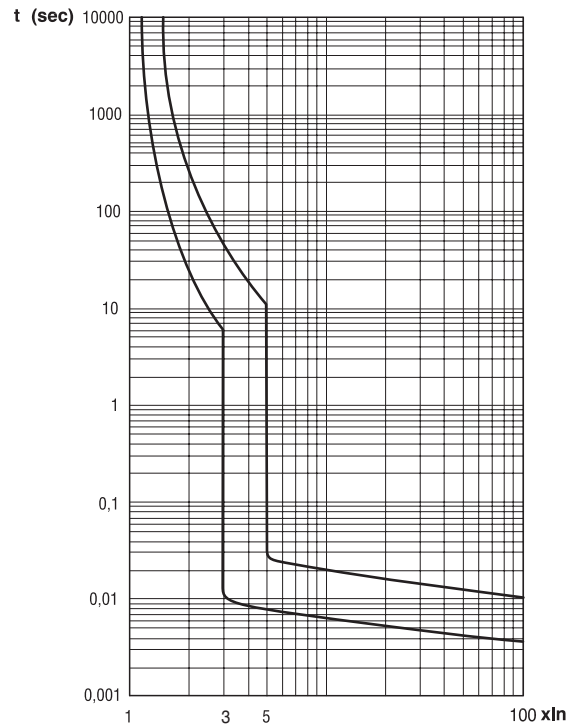
TRIPPING CHARACTERISTICS

Tripping characteristics in alternating current (EN 60898)

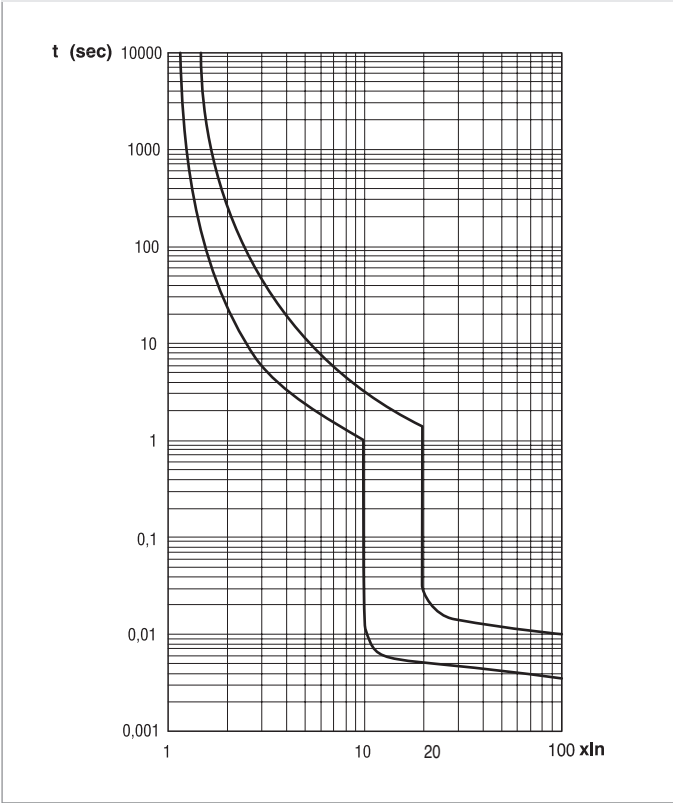
MTC 45 - 60 - 100 Characteristic C
 MT 45 - MT 60 - 100 - 250 Characteristic C
 MTHP 160 - 250 Characteristic C



MT 45 - MT 60 - 100 Characteristic B
 MTC 60 Characteristic B



MT 60 - 100 Characteristic D
MTHP 160 Characteristic D



Tripping characteristic	B	C	D
I_n	from 6 to 63 A	from 1 to 125 A	from 6 to 100 A
Thermal release			
I_{nf}	1,13 I_n	1,13 I_n	1,13 I_n
I_f	1,45 I_n	1,45 I_n	1,45 I_n
t	< 1 h	< 1 h	< 1 h
Magnetic release			
I_{nf}	3 I_n	5 I_n	10 I_n
I_f	5 I_n	10 I_n	20 I_n
t	instantaneous	instantaneous	instantaneous

I_n = rated current
 I_{nf} = conventional non-tripping current
 I_f = conventional tripping current
t = tripping time

B tripping curve: tripping characteristic for the protection of electrical resistive loads (for example: heating) and very long electrical distribution lines.

C tripping curve: tripping characteristic for the protection of general electrical resistive or slight inductive loads (for example: fluorescent lamps).

D tripping curve: tripping characteristic for the protection of electrical heavy inductive loads or high starting currents (for example: electrical engines).

90 RCD

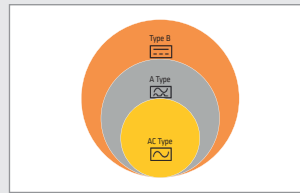


MAXIMUM PROTECTION IN MINIMUM SPACE



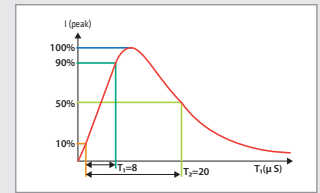
In the same application, the use of compact RCBO's guarantees a saving of the number of modules used which allows the installation of smaller distribution boards and therefore the cost is cheaper.

A CIRCUIT BREAKER FOR EVERY NEED



The 90 RCD range allows to meet all the needs of protection in electrical circuit with different types of earth fault currents, from sinusoidal alternating shape (AC type) and pulsating (A type), up to smooth DC shape (B type).

WITHOUT INTERRUPTION

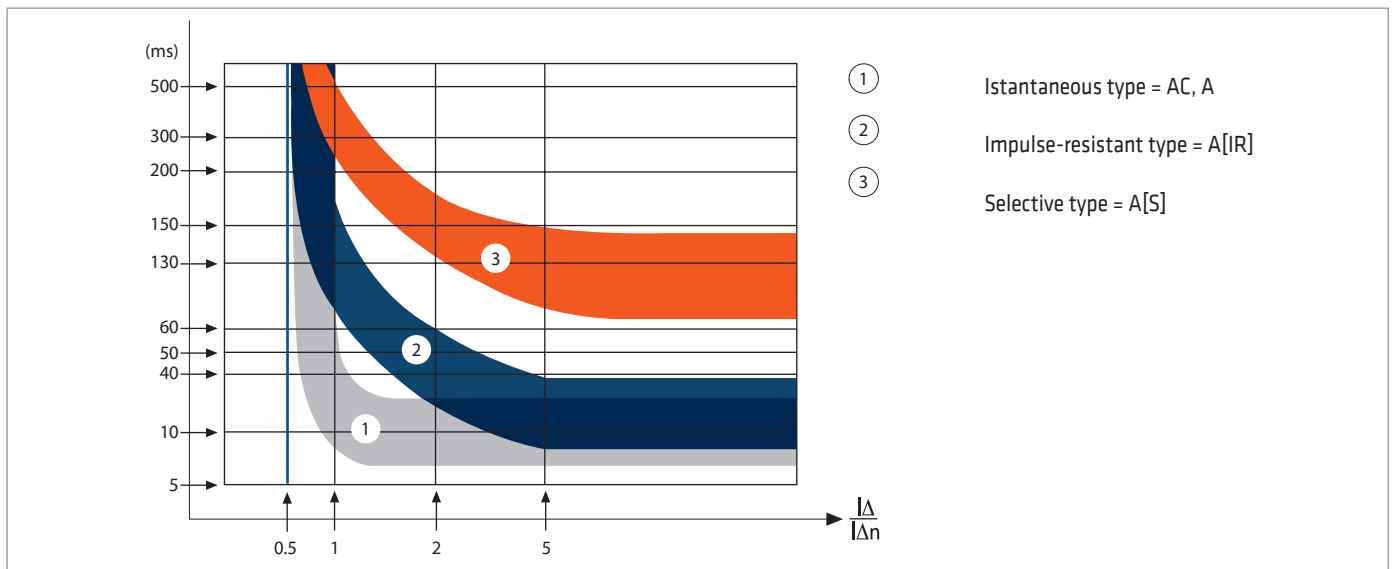


The 90 RCD range also includes Impulse Resistant IR versions with high resistance to untimely tripping due to overvoltage impulses. These versions are particularly suitable for installations where the continuity of service is extremely important.

Commercial information page 52

Residual current circuit breaker tripping characteristics

The following diagram shows the tripping range (relation between leakage current and tripping time) of the different type of RCCBs:



RCD TYPE	AC	A	B	Level of immunity (8/20μs)
RESIDUAL FAULT CURRENT TYPE	<ul style="list-style-type: none"> sinusoidal alternating 	<ul style="list-style-type: none"> sinusoidal alternating pulsating 	<ul style="list-style-type: none"> sinusoidal alternating pulsating smooth DC 	
1. INSTANTANEUS First level of residual-current protection against direct and indirect contacts	✓	✓		250A
2. IMPULSE RESISTANT Prevention of untimely tripping caused by: • overvoltages due to indirect lightning strikes (8/20 μs impulse current waveform up to 3000A) • overvoltages due to manoeuvres on electrical network • overvoltages due to earth fault on three-phase system • permanent harmonics due electronic devices (immunity to currents with frequency higher than 50Hz) • starting current (immunity to the ring wave waveform)		✓	✓	3000A
3. SELECTIVE Second level of residual-current protection for total or chronometric selectivity with downstream RCDs		✓	✓	3000A 5000A

For technical information contact the Technical Assistance Service or visit gewiss.com

90 IDP



Commercial information page 74

EASY TO INSTALL AND USE



It is simple and safe to use the IDP RCCB throughout their life cycle thanks to details such as the indication of the tripped circuit breaker, the insulated terminals with double connections for wiring with cable and busbar and the possibility to install accessories.

CONNECTION WITH RESTART



Thanks to ReStart, an intelligent automatic reclosing device invented by GEWISS, the service continuity is ensured in complete safety. In case of an RCD trip ReStart quickly reconnects the supply only after checking the insulation level.

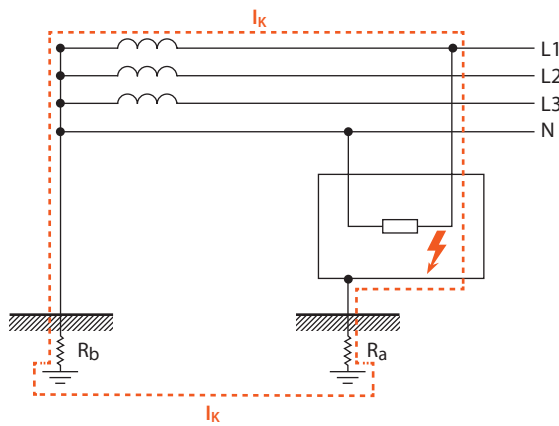
SYSTEM INTEGRATION



90 IDP Series devices are completely integrated in the GEWISS protection system that includes: standard and compact MCBs, RCBOs, RCD Add-on blocks, modular accessories, MCCBs, distribution board and quick connection system.

TT SYSTEM

In TT systems the neutral conductors are connected to electrically independent earth electrodes



I_k = Fault current
 R_b = Cabin transformer earth resistance
 R_a = Electrical plant earth resistance

In order to guarantee the electrical safety the following condition must be satisfied

$$I_{dn} \leq 50V / R_a$$

I_{dn} is the RCD rated residual operating current

Application:

- Residential installation
- Small industrial/Tertiary installation

RCD Protection:

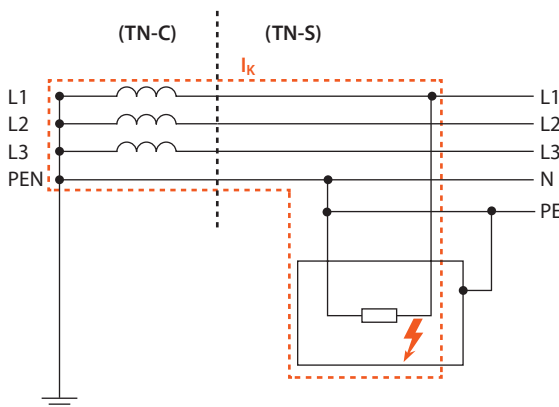
- Protection of people against direct / indirect contact and risk of fire

TN SYSTEM

Neutral and earth connected to the same ground terminal

TN-C → Unique neutral and earth conductor (PEN)

TN-S → Different neutral and earth conductors



In order to guarantee the electrical safety the following condition must be satisfied:

$$Z_s \times I_{dn} \leq U_0$$

Z_s = Fault loop Impedance
 U_0 = Voltage to earth

Application:

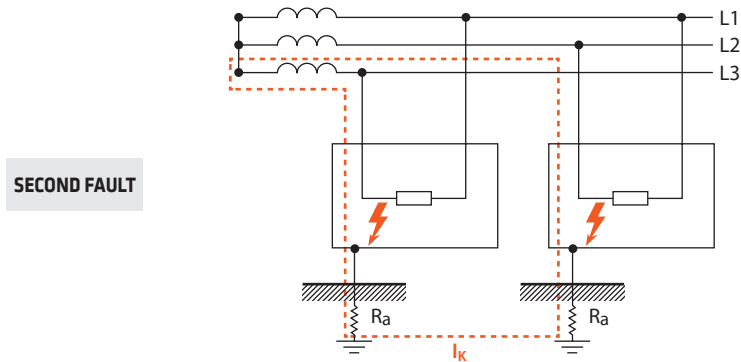
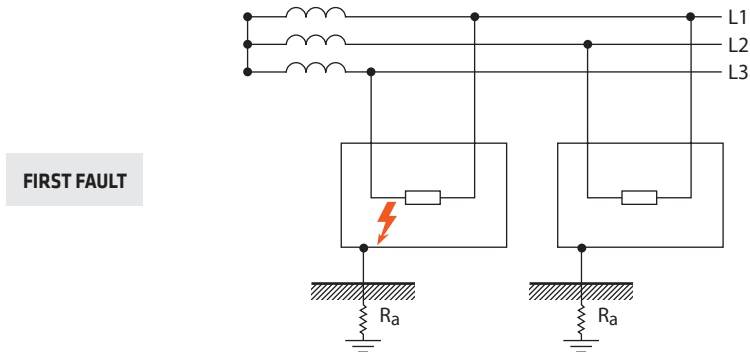
- Factories or big electrical systems

RCD Protection:

- RCD are used as additional protection in case of earth fault

IT SYSTEM

Only exposed conductive parts are connected to earth (Live part are not earth connected)



Is mandatory to automatically interrupt the power supply in case of second fault considering the same prescription of TT or TN System

Application:

- Installation where the service continuity is crucial (Hospital/Chemical/oil factory)

RCD Protection:

- RCDs are used to protect in case of second fault

90 AM



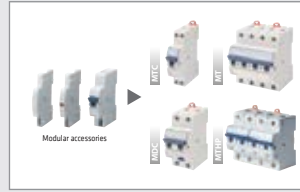
Commercial information page 82

SMART LOAD MANAGEMENT



P-Comfort prevents the interruption of electrical supply: in the event of overload, it disconnects only non-preferential loads, after connects them automatically in a set time, removing inconvenience due to blackout.

ACCESSORIES TO SIMPLIFY USE



The auxiliary contacts and shunt trip releases, which are common to all miniature circuit breakers and residual current c.b. with overcurrent protection guarantee simplicity, interchangeability, multiple uses and rationalisation of the items.

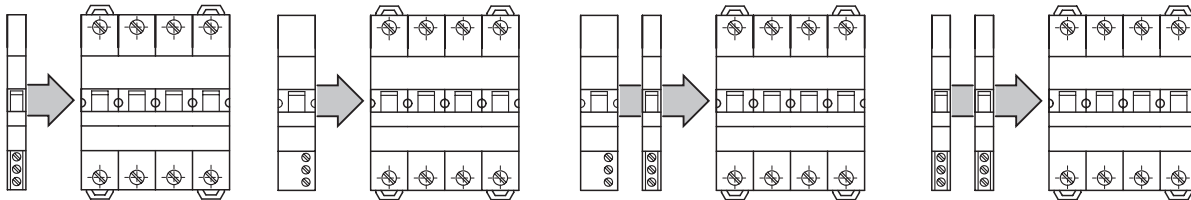
OVERVOLTAGE UNDER CONTROL



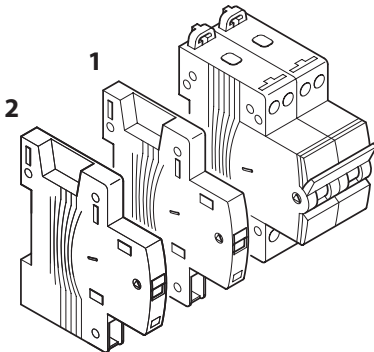
The range of surge protective devices 1st provides maximum protection against atmospheric discharge generated by both direct and indirect lightning strikes. With the pluggable cartridge feature, maintenance is made quick and easy.

ACCESSORIES AND AUXILIARIES FOR MODULAR CIRCUIT BREAKERS MTC-MT-MTHP-MDC

For each circuit breaker it's possible to fit up to max 2 accessories. The shunt trip releases or under voltage releases must be positioned to the left of the accessories, as shown in the figure.



If 2 auxiliary contacts are used, it is necessary to observe the connection rules shown in the table below.

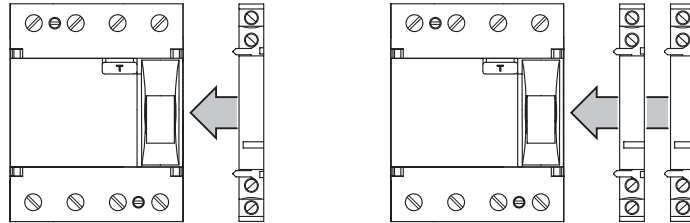


POS. 2	POS. 1
GW 96 001 GW 96 009c	GW 96 001 GW 96 009c
GW 96 001	GW 96 006 GW 96 009s
GW 96 009c	
GW 96 006 GW 96 009s	

GW 96 009c: open/closed auxiliary contact set
GW 96 009s: tripped relay auxiliary contact set

ACCESSORIES AND AUXILIARIES FOR RCCB'S SD

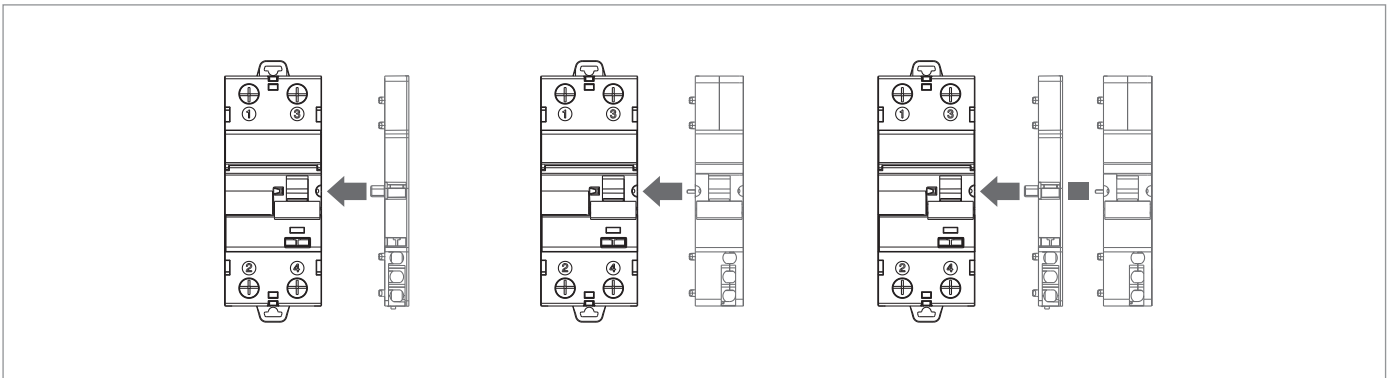
For each 4 pole RCCB it's possible to fit up to max 2 accessories. The tripped relay contact must be in the first position to the right of the residual current circuit breaker. For 2 poles RCCB's the it is not possible to fit up any accessory.



ACCESSORIES AND AUXILIARIES FOR RCCB'S IDP

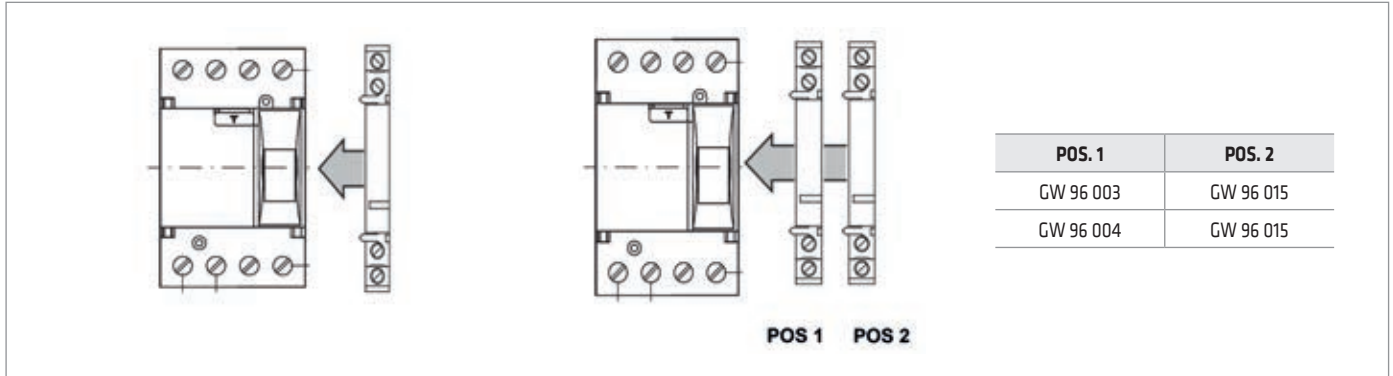
RCCB's for IDP 2P-4P up to 100 A (except for the B type)

It is possible to couple until 2 accessories for each RCCB. The shunt trip releases or the under voltage releases must be set at the right end of accessories as shown in the figure below.



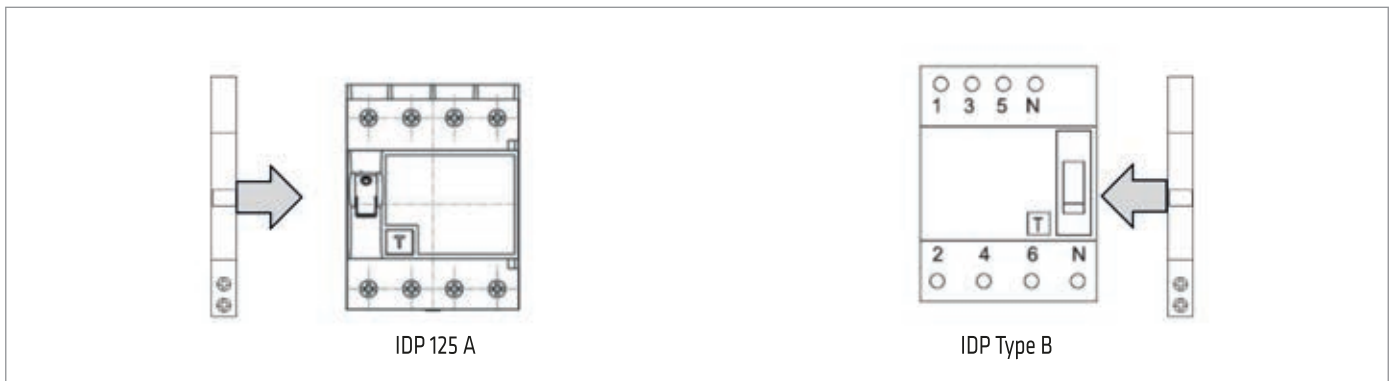
RCCB's 4P 3 modules

It is possible to couple until 2 accessories for each RCCB. The shunt trip release must be set at the right end of accessories as shown in the figure below.



RCCBS's 125A and B type

It is possible to couple until 1 accessory for each 2P and 4P RCCB.



90 PV



Commercial information page 114

READY TO BE CONNECTED



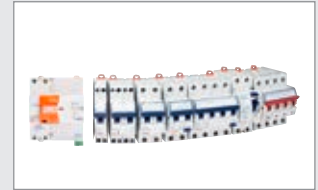
To allow an easy, quick and safe connection, the string boards are already completed with cable glands and terminal blocks. The cable glands are supplied as spare parts, so the connection cable can be made according to individual needs (from the top, bottom or sides).

ALREADY TESTED CERTIFIED



The string boards have been tested in the GEWISS laboratories, passing all the tests according to the standards EN 61439-1 and EN 61439-2 for the product certification.

WIDE RANGE



Our offer for the protection of AC side allows to meet every installation need from residential to the commercial/ industrial sector, offering a wide family of products from modular devices to MCCB's, from modular accessories up to distribution boards.

90 PV RANGE - MODULAR DEVICES IN DIRECT CURRENT

SWITCH DISCONNECTOR



Compact dc switch disconnecter suitable for photovoltaic installation up to 32 A 1000 V dc

TECHNICAL DATA

Standards:	EN 60947-3
Utilization category:	DC21B / DC22B
Rated insulation voltage (Ui):	1000V
Rated impulse withstand voltage (Uimp):	8kV
Operating temperature:	-40 to +65°C
Max. cable section:	16mm ² (solid or stranded) 10mm ² (flexible, also with terminals)

Code	Modules	Poles	Utilization category	Rated operational voltage (Ue)		
				600V dc	800V dc	1000V dc
				Rated operational current (In)		
GW 96 186	3,5	2	DC21B	25A	20A	11A
			DC22B	6A	2,5A	1,5A
GW 96 187	3,5	4	DC21B	32A	32A	32A
			DC22B	27,5A	12,5A	10A

SURGE PROTECTIVE DEVICES LST



Surge protective devices with extractable cartridge suitable for photovoltaic applications up to 1000 V dc

TECHNICAL DATA

Standards:	EN 61643-11
Type:	Type 2 (8/20 μs)
Rated discharge current (In):	20kA
Maximum discharge current (Imax):	40kA
Back-up protection:	if Icc > 100A dc, fuse type gPV ≤ 20A if Icc < 100A dc, protection not necessary

Code	Rated operational voltage (Un)	Maximum continuous operating voltage (Uc)	Voltage protection level at In (Up)	Modules
GW D6 426	600V dc	700V dc	≤ 2,6kV	3
GW D6 428	1000V dc	1170V dc	≤ 4kV	3

SPARE CARTRIDGES

- GW D6 446 suitable for SPD GW D6 426.
- GW D6 448 suitable for SPD GW D6 428.

DISCONNECTABLE FUSE-HOLDER



Fuse-holder for protection and isolation of the photovoltaic strings.

TECHNICAL DATA

Standards:	EN 60947-3
Utilization category:	DC20B
Rated operational voltage (Ue):	1000V dc
Rated current (In):	20A
Max power loss:	3W

Code	Poles	Modules
GW 96 226	1	1
GW 96 227	2	2

FUSES



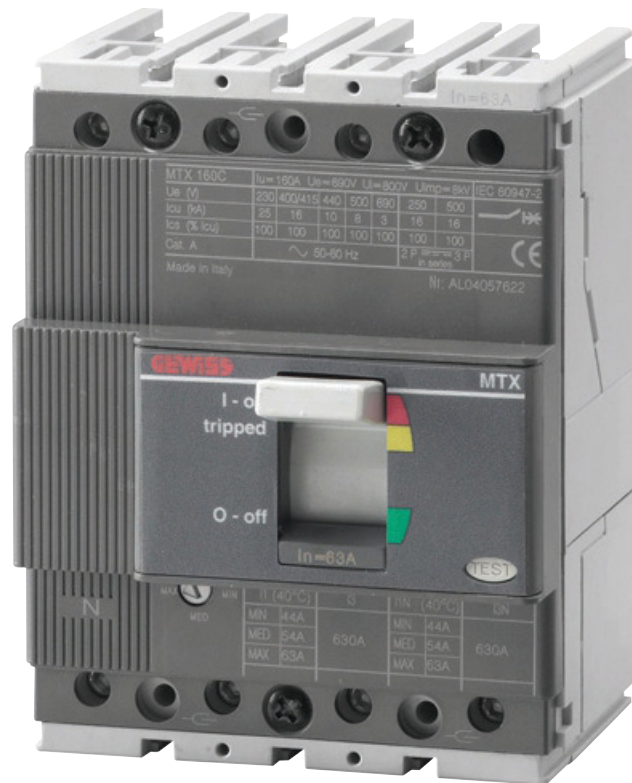
The fuses are type Gpv, as required for photovoltaic applications.

TECHNICAL DATA

Standards:	IEC 60269-6
Dimensions:	10,3x38 mm
Type:	gPV
Rated operational voltage (Ue):	1000V dc
Breaking capacity:	30kA dc

Code	Rated current (In)
GW 72 131	6
GW 72 132	8
GW 72 133	10
GW 72 134	12
GW 72 135	16
GW 72 136	20

MTX



page 144

Moulded case devices

97 MSS




page 188


GEWISS offers a huge range of moulded-case protective circuit breakers and control switch disconnectors that are ideal for all those applications of the advanced commercial and industrial sectors with heavy-duty conditions requiring top performance in the event of a short-circuit.

They satisfy the requisites of the relevant Standards, guaranteeing the utmost product reliability and safety. The range is completed with a wide choice of accessories, shunt trip releases and connection terminals.


Selection tables

		MTX 160c							
									
Release		In [A]	B (16kA)		C (25kA)		N (36kA)		
			3P	4P	3P	4P	3P	4P	
THERMAL MAGNETIC	TM1	Magnetic threshold 10 In	16	GW D7 001	GW D7 021	-	-	-	-
			20	GW D7 002	GW D7 022	-	-	-	-
			25	GW D7 003	GW D7 023	GW D7 041	GW D7 051	-	-
			32	GW D7 004	GW D7 024	GW D7 042	GW D7 052	GW D7 061	GW D7 071
			40	GW D7 005	GW D7 025	GW D7 043	GW D7 053	GW D7 062	GW D7 072
			50	GW D7 006	GW D7 026	GW D7 044	GW D7 054	GW D7 063	GW D7 073
			63	GW D7 007	GW D7 027	GW D7 045	GW D7 055	GW D7 064	GW D7 074
			80	GW D7 008	GW D7 028	GW D7 046	GW D7 056	GW D7 065	GW D7 075
			100	GW D7 009	GW D7 029	GW D7 047	GW D7 057	GW D7 066	GW D7 076
			125	GW D7 010	GW D7 030	GW D7 048	GW D7 058	GW D7 067	GW D7 077
		160	GW D7 011	GW D7 031	GW D7 049	GW D7 059	GW D7 068	GW D7 078	


NOTE: for fixing on DIN EN 50022 profile order following bracket :GW D8 261.


		MTX/E 160							
									
Release		In [A]	N (36kA)		S (50kA)		H (70kA)		
			3P	4P	3P	4P	3P	4P	
THERMAL MAGNETIC	TM1	Magnetic threshold 10 In	10	GW D7 931	GW D7 936	-	-	-	-
			16	GW D7 932	GW D7 937	-	-	-	-
			20	GW D7 933	GW D7 938	-	-	-	-
			25	GW D7 934	GW D7 939	-	-	-	-
			25	GW D7 081	GW D7 091	-	-	-	-
	GENERATOR PROTECTION - TMG	Magnetic threshold 3 In	40	GW D7 082	GW D7 092	-	-	-	-
			63	GW D7 083	GW D7 093	-	-	-	-
			80	GW D7 084	GW D7 094	-	-	-	-
			100	GW D7 085	GW D7 095	-	-	-	-
			125	GW D7 086	GW D7 096	-	-	-	-
		160	GW D7 087	GW D7 097	-	-	-	-	
ELECTRONIC	SEP/1	I	10	GW D7 146	GW D7 156	GW D7 166	GW D7 176	GW D7 186	GW D7 196
			25	GW D7 147	GW D7 157	GW D7 167	GW D7 177	GW D7 187	GW D7 197
			63	GW D7 148	GW D7 158	GW D7 168	GW D7 178	GW D7 188	GW D7 198
			100	GW D7 149	GW D7 159	GW D7 169	GW D7 179	GW D7 189	GW D7 199
			160	GW D7 150	GW D7 160	GW D7 170	GW D7 180	GW D7 190	GW D7 200
	LS/I	10	GW D7 141	GW D7 151	GW D7 161	GW D7 171	GW D7 181	GW D7 191	
		25	GW D7 142	GW D7 152	GW D7 162	GW D7 172	GW D7 182	GW D7 192	
		63	GW D7 143	GW D7 153	GW D7 163	GW D7 173	GW D7 183	GW D7 193	
		100	GW D7 144	GW D7 154	GW D7 164	GW D7 174	GW D7 184	GW D7 194	
		160	GW D7 145	GW D7 155	GW D7 165	GW D7 175	GW D7 185	GW D7 195	
MAGNETIC ONLY	MOTOR PROTECTION - M	Magnetic threshold 13 In	1	GW D7 101	-	GW D7 121	-	-	-
			1,6	GW D7 102	-	GW D7 122	-	-	-
			2	GW D7 103	-	GW D7 123	-	-	-
			2,5	GW D7 104	-	GW D7 124	-	-	-
			3,2	GW D7 105	-	GW D7 125	-	-	-
			4	GW D7 106	-	GW D7 126	-	-	-
			5	GW D7 107	-	GW D7 127	-	-	-
			6,5	GW D7 108	-	GW D7 128	-	-	-
			8,5	GW D7 109	-	GW D7 129	-	-	-
			11	GW D7 110	-	GW D7 130	-	-	-
		12,5	GW D7 111	-	GW D7 131	-	-	-	
		Magnetic threshold 6÷12 In	20	GW D7 112	-	GW D7 132	-	-	-
			32	GW D7 113	-	GW D7 133	-	-	-
			52	GW D7 114	-	GW D7 134	-	-	-
			80	GW D7 115	-	GW D7 135	-	-	-
100	GW D7 116		-	GW D7 136	-	-	-		


NOTE: for fixing on DIN EN 50022 profile order following bracket :GW D8 261.


			MTX 250				
							
Release		In [A]	N (36kA)		S (50kA)		
			3P	4P	3P	4P	
THERMAL MAGNETIC	TM1	Magnetic threshold 10 In	63	GW D7 201	GW D7 211	GW D7 221	GW D7 231
			80	GW D7 202	GW D7 212	GW D7 222	GW D7 232
			100	GW D7 203	GW D7 213	GW D7 223	GW D7 233
			125	GW D7 204	GW D7 214	GW D7 224	GW D7 234
			160	GW D7 205	GW D7 215	GW D7 225	GW D7 235
			200	GW D7 206	GW D7 216	GW D7 226	GW D7 236
			250	GW D7 207	GW D7 217	GW D7 227	GW D7 237
THERMAL MAGNETIC	GENERATOR PROTECTION - TMG	Magnetic threshold 3 In	63	GW D7 241	GW D7 251	GW D7 261	GW D7 271
			80	GW D7 242	GW D7 252	GW D7 262	GW D7 272
			100	GW D7 243	GW D7 253	GW D7 263	GW D7 273
			125	GW D7 244	GW D7 254	GW D7 264	GW D7 274
			160	GW D7 245	GW D7 255	GW D7 265	GW D7 275
			200	GW D7 246	GW D7 256	GW D7 266	GW D7 276
			250	GW D7 247	GW D7 257	GW D7 267	GW D7 277
MAGNETIC ONLY	MOTOR PROTECTION - M	Magnetic threshold 6-12 In	100	GW D7 281	-	GW D7 291	-
			125	GW D7 282	-	GW D7 292	-
			160	GW D7 283	-	GW D7 293	-
			200	GW D7 284	-	GW D7 294	-

NOTE: for fixing on DIN EN 50022 profile order following bracket :GW D8 262

			MTX/E 320								
											
Release		In [A]	N (36kA)		S (50kA)		H (70kA)		L (120kA)		
			3P	4P	3P	4P	3P	4P	3P	4P	
THERMAL MAGNETIC	TM2	Magnetic threshold 5-10 In	100	GW D7 301	GW D7 311	GW D7 321	GW D7 331	-	-	-	-
			125	GW D7 302	GW D7 312	GW D7 322	GW D7 332	-	-	-	-
			160	GW D7 303	GW D7 313	GW D7 323	GW D7 333	-	-	-	-
			200	GW D7 304	GW D7 314	GW D7 324	GW D7 334	-	-	-	-
			250	GW D7 305	GW D7 315	GW D7 325	GW D7 335	-	-	-	-
ELECTRONIC	SEP/1	I	100	GW D7 344	GW D7 364	GW D7 384	GW D7 404	GW D7 424	GW D7 444	GW D7 464	GW D7 484
			160	GW D7 345	GW D7 365	GW D7 385	GW D7 405	GW D7 425	GW D7 445	GW D7 465	GW D7 485
			250	GW D7 346	GW D7 366	GW D7 386	GW D7 406	GW D7 426	GW D7 446	GW D7 466	GW D7 486
			320	GW D7 354	GW D7 374	GW D7 394	GW D7 414	GW D7 434	GW D7 454	GW D7 474	GW D7 494
		LS/I	100	GW D7 341	GW D7 361	GW D7 381	GW D7 401	GW D7 421	GW D7 441	GW D7 461	GW D7 481
			160	GW D7 342	GW D7 362	GW D7 382	GW D7 402	GW D7 422	GW D7 442	GW D7 462	GW D7 482
			250	GW D7 343	GW D7 363	GW D7 383	GW D7 403	GW D7 423	GW D7 443	GW D7 463	GW D7 483
			320	GW D7 353	GW D7 373	GW D7 393	GW D7 413	GW D7 433	GW D7 453	GW D7 473	GW D7 493
	SEP/2	LSI	100	GW D7 347	GW D7 367	GW D7 387	GW D7 407	GW D7 427	GW D7 447	GW D7 467	GW D7 487
			160	GW D7 348	GW D7 368	GW D7 388	GW D7 408	GW D7 428	GW D7 448	GW D7 468	GW D7 488
			250	GW D7 349	GW D7 369	GW D7 389	GW D7 409	GW D7 429	GW D7 449	GW D7 469	GW D7 489
			320	GW D7 355	GW D7 375	GW D7 395	GW D7 415	GW D7 435	GW D7 455	GW D7 475	GW D7 495
		LSIG	100	GW D7 350	GW D7 370	GW D7 390	GW D7 410	GW D7 430	GW D7 450	GW D7 470	GW D7 490
			160	GW D7 351	GW D7 371	GW D7 391	GW D7 411	GW D7 431	GW D7 451	GW D7 471	GW D7 491
			250	GW D7 352	GW D7 372	GW D7 392	GW D7 412	GW D7 432	GW D7 452	GW D7 472	GW D7 492
			320	GW D7 356	GW D7 376	GW D7 396	GW D7 416	GW D7 436	GW D7 456	GW D7 476	GW D7 496

MTX/E 630												
												
Release			In [A]	N (36kA)		S (50kA)		H (70kA)		L (120kA)		
THERMAL MAGNETIC	TM2	Magnetic threshold 5±10 In		3P	4P	3P	4P	3P	4P	3P	4P	
			ELECTRONIC	SEP/1	I	400	GW D7 501	GW D7 506	GW D7 511	GW D7 516	GW D7 521	GW D7 526
630	GW D7 502	GW D7 507				GW D7 512	GW D7 517	GW D7 522	GW D7 527	-	-	
LS/I	400	GW D7 534			GW D7 554	GW D7 574	GW D7 594	GW D7 614	GW D7 634	GW D7 654	GW D7 674	
	630	GW D7 540			GW D7 560	GW D7 580	GW D7 600	GW D7 620	GW D7 640	GW D7 660	GW D7 680	
SEP/2	LSI	400			GW D7 532	GW D7 552	GW D7 572	GW D7 592	GW D7 612	GW D7 632	GW D7 652	GW D7 672
		630			GW D7 539	GW D7 559	GW D7 579	GW D7 599	GW D7 619	GW D7 639	GW D7 659	GW D7 679
	LSIG	400		GW D7 536	GW D7 556	GW D7 576	GW D7 596	GW D7 616	GW D7 636	GW D7 656	GW D7 676	
		630		GW D7 541	GW D7 561	GW D7 581	GW D7 601	GW D7 621	GW D7 641	GW D7 661	GW D7 681	
	630	GW D7 538		GW D7 558	GW D7 578	GW D7 598	GW D7 618	GW D7 638	GW D7 658	GW D7 678		
		GW D7 542		GW D7 562	GW D7 582	GW D7 602	GW D7 622	GW D7 642	GW D7 662	GW D7 682		

MTX/E 1000												
												
Release			In [A]	N (36kA)		S (50kA)		H (70kA)		L (100kA)		
THERMAL MAGNETIC	TM2	Magnetic threshold 5±10 In		3P	4P	3P	4P	3P	4P	3P	4P	
			ELECTRONIC	SEP/1	I	630	GW D7 701	GW D7 706	GW D7 710	GW D7 716	GW D7 721	GW D7 726
800	GW D7 702	GW D7 707				GW D7 711	GW D7 717	GW D7 722	GW D7 727	-	-	
LS/I	630	GW D7 732			GW D7 752	GW D7 772	GW D7 792	GW D7 812	GW D7 832	GW D7 852	GW D7 872	
	800	GW D7 736			GW D7 756	GW D7 776	GW D7 796	GW D7 816	GW D7 836	GW D7 856	GW D7 876	
SEP/2	LSI	1000			GW D7 740	GW D7 760	GW D7 780	GW D7 800	GW D7 820	GW D7 840	GW D7 860	GW D7 880
		630			GW D7 731	GW D7 751	GW D7 771	GW D7 791	GW D7 811	GW D7 831	GW D7 851	GW D7 871
	LSIG	800		GW D7 735	GW D7 755	GW D7 775	GW D7 795	GW D7 815	GW D7 835	GW D7 855	GW D7 875	
		1000		GW D7 739	GW D7 759	GW D7 779	GW D7 799	GW D7 819	GW D7 839	GW D7 859	GW D7 879	
	630	GW D7 733		GW D7 753	GW D7 773	GW D7 793	GW D7 813	GW D7 833	GW D7 853	GW D7 873		
		GW D7 737		GW D7 757	GW D7 777	GW D7 797	GW D7 817	GW D7 837	GW D7 857	GW D7 877		
800	GW D7 741	GW D7 761		GW D7 781	GW D7 801	GW D7 821	GW D7 841	GW D7 861	GW D7 881			
	GW D7 734	GW D7 754		GW D7 774	GW D7 794	GW D7 814	GW D7 834	GW D7 854	GW D7 874			
800	GW D7 738	GW D7 758	GW D7 778	GW D7 798	GW D7 818	GW D7 838	GW D7 858	GW D7 878				
	GW D7 742	GW D7 762	GW D7 782	GW D7 802	GW D7 822	GW D7 842	GW D7 862	GW D7 882				

MTSE 1600												
												
Release			In [A]	S (50kA)		H (65kA)		L (100kA)				
ELECTRONIC	SEP/A	I		3P	4P	3P	4P	3P	4P	3P	4P	
			ELECTRONIC	SEP/A	I	1250	GW 97 601	GW 97 607	GW 97 625	GW 97 631	GW 97 649	GW 97 655
1600	GW 97 602	GW 97 608				GW 97 626	GW 97 632	GW 97 650	GW 97 656			
LI	1250	GW 97 604			GW 97 610	GW 97 628	GW 97 634	GW 97 652	GW 97 658			
	1600	GW 97 605			GW 97 611	GW 97 629	GW 97 635	GW 97 653	GW 97 659			
SEP/B	LSI	1250			GW 97 613	GW 97 619	GW 97 637	GW 97 643	GW 97 661	GW 97 667		
		1600			GW 97 614	GW 97 620	GW 97 638	GW 97 644	GW 97 662	GW 97 668		
	LSIG	1250		GW 97 616	GW 97 622	GW 97 640	GW 97 646	GW 97 664	GW 97 670			
		1600		GW 97 617	GW 97 623	GW 97 641	GW 97 647	GW 97 665	GW 97 671			

MTXM SWITCH DISCONNECTOR												
	MTXM 160c		MTXM 250		MTXM 320		MTXM 400 - 630		MTXM 800 - 1000		MTSM 1600	
In [A]	3P	4P	3P	4P	3P	4P	3P	4P	3P	4P	3P	4P
160	GW D7 901	GW D7 902	-	-	-	-	-	-	-	-	-	-
250	-	-	GW D7 903	GW D7 904	-	-	-	-	-	-	-	-
320	-	-	-	-	GW D7 905	GW D7 906	-	-	-	-	-	-
400	-	-	-	-	-	-	GW D7 907	GW D7 908	-	-	-	-
630	-	-	-	-	-	-	GW D7 909	GW D7 910	-	-	-	-
800	-	-	-	-	-	-	-	-	GW D7 911	GW D7 912	-	-
1000	-	-	-	-	-	-	-	-	GW D7 913	GW D7 914	-	-
1250	-	-	-	-	-	-	-	-	-	-	GW 97 715	GW 97 718
1600	-	-	-	-	-	-	-	-	-	-	GW 97 716	GW 97 719

NOTE: MTXM 160c and MTXM 250 can be fixed on DIN EN 50022 profile with dedicated bracket

ADD-ON RESIDUAL CURRENT DEVICES					
	"L" SHAPED			PLACED BELOW	
Suitable for	MTX/M 160c	MTX/E 160	MTX/M 250	MTX/E/M 320	MTXM 400 - MTX/E/M 630
Versions	For 4P circuit breakers only			For 4P circuit breakers only	
Instantaneous	GW D8 242	GW D8 244	GW D8 246	-	-
Adjustable	GW D8 241 (reduced height) GW D8 243	GW D8 245	GW D8 247	GW D8 248 (up to 500A)	GW D8 249 (up to 500A)

NB: the L-shaped add-on residual current devices can be fixed on the DIN EN 50022 profile using the specific fixing bracket.
For the add-on residual current device GWD8241, use the fixing bracket GWD8266. For the add-on residual current devices GWD8242, GWD8243, GWD8244 and GWD8245, use the fixing bracket GWD8263. For the add-on residual current devices GWD8246 and GWD8247, use the fixing bracket GWD8264.

OPENING RELEASES							
		SHUNT-TRIP			UNDER VOLTAGE		
Suitable for		MTX/E/M 160c - 160 - 250	MTX/E/M 320 - 1000	MTSE/M 1600	MTX/E/M 160c - 160 - 250	MTX/E/M 320 - 1000	MTSE/M 1600
Supply voltage	12V DC	GW D8 101	-	-	-	-	-
	24-30V AC/DC	GW D8 102	GW D8 107	GW 98 260	GW D8 117	GW D8 122	GW 98 281 (ac) GW 98 288 (dc)
	48-60V AC/DC	GW D8 103	GW D8 108	GW 98 261	GW D8 118	GW D8 123	GW 98 282 (ac) GW 98 289 (dc)
	127V AC - 125V DC	GW D8 104	GW D8 109	GW 98 263	GW D8 119	GW D8 124	GW 98 284 (ac) GW 98 291 (dc)
	240V AC - 250V DC	GW D8 105	GW D8 110	GW 98 264	GW D8 120	GW D8 125	GW 98 285 (ac) GW 98 292 (dc)
	380 - 400V AC	GW D8 106	GW D8 111	GW 98 265	GW D8 121	GW D8 126	GW 98 286 (ac)

VERSIONS

PLUG-IN



Terminals	N. poles	MTX/E 160			MTX/M 250		
Front	3P	GW D8 001	+	GW D8 051	GW D8 003	+	GW D8 053
F	4P	GW D8 002	+	GW D8 052	GW D8 004	+	GW D8 054
Extended Front	3P	-			-		
EF	4P	-			-		
Rear vertical flat	3P	-			-		
VR	4P	-			-		
Rear horizontal flat	3P	-			-		
HR	4P	-			-		

WITHDRAWABLE



Terminals	N. poles	MTX/E/M 320			MTX/M 400 MTX/E 630 (400A)						
Extended Front	3P	GW D8 007	+	GW D8 079	+	GW D8 066	GW D8 009	+	GW D8 080	+	GW D8 068
EF	4P	GW D8 008	+	GW D8 079	+	GW D8 067	GW D8 010	+	GW D8 080	+	GW D8 069
Rear vertical flat	3P	GW D8 015	+	GW D8 079	+	GW D8 066	GW D8 017	+	GW D8 080	+	GW D8 068
VR	4P	GW D8 016	+	GW D8 079	+	GW D8 067	GW D8 018	+	GW D8 080	+	GW D8 069
Rear horizontal flat	3P	GW D8 023	+	GW D8 079	+	GW D8 066	GW D8 025	+	GW D8 080	+	GW D8 068
HR	4P	GW D8 024	+	GW D8 079	+	GW D8 067	GW D8 026	+	GW D8 080	+	GW D8 069

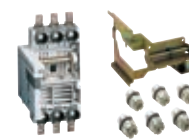
VERSIONS

PLUG-IN



	MTX/E/M 320		MTX/M 400 MTX/E 630 (400A)		MTX/E/M 630 (500/630A)				
	-		-		-				
	-		-		-				
	GW D8 007	+	GW D8 055	GW D8 009	+	GW D8 057	GW D8 011	+	GW D8 059
	GW D8 008	+	GW D8 056	GW D8 010	+	GW D8 058	GW D8 012	+	GW D8 060
	GW D8 015	+	GW D8 055	GW D8 017	+	GW D8 057	GW D8 019	+	GW D8 059
	GW D8 016	+	GW D8 056	GW D8 018	+	GW D8 058	GW D8 020	+	GW D8 060
	GW D8 023	+	GW D8 055	GW D8 025	+	GW D8 057	GW D8 027	+	GW D8 059
	GW D8 024	+	GW D8 056	GW D8 026	+	GW D8 058	GW D8 028	+	GW D8 060




WITHDRAWABLE



	MTX/E/M 630 (500/630A)			MTXM 800 MTX/E/M 1000 (800A)		MTSE/M 1600		
	GW D8 011	+	GW D8 080	+	GW D8 070	GW 98 221	+	GW 98 227
	GW D8 012	+	GW D8 080	+	GW D8 071	GW 98 222	+	GW 98 228
	GW D8 019	+	GW D8 080	+	GW D8 070	GW 98 223	+	GW 98 227
	GW D8 020	+	GW D8 080	+	GW D8 071	GW 98 224	+	GW 98 228
	GW D8 027	+	GW D8 080	+	GW D8 070	GW 98 225	+	GW 98 227
	GW D8 028	+	GW D8 080	+	GW D8 071	GW 98 226	+	GW 98 228

MTX - MOULDED-CASE CIRCUIT BREAKERS

Technical data

	MTX 160c			MTX 160 - MTXE 160			MTX 250		
									
Standard	IEC 60947-2			IEC 60947-2			IEC 60947-2		
Continuous rated current (Iu)	(A)	160			160			250	
No. of poles		3-4			3-4			3-4	
Rated operational voltage (Ue)	(AC) 50-60Hz	(V) 690			690			690	
	(DC)	(V) 500			500			500	
Rated impulse withstand voltage (Uimp)	(kV)	8			8			8	
Oversvoltage category		IV			IV			IV	
Rated insulation voltage (Ui)	(V)	800			800			800	
Test voltage at industrial frequency for 1 min.		3000			3000			3000	
Short-circuit breaking capacity (Icu)		B	C	N	N	S	H	N	S
(AC) 50-60 Hz 220/230V	(kA)	25	40	50	65	85	100	50	85
(AC) 50-60 Hz 380/415V	(kA)	16	25	36	36	50	70	36	50
(AC) 50-60 Hz 440V	(kA)	10	15	22	30	45	55	25	40
(AC) 50-60 Hz 500V	(kA)	8	10	15	25	30	36	20	30
(AC) 50-60 Hz 690V	(kA)	3	4	6	6	7	8	5	8
(DC) 250V - 2 poles in series	(kA)	16	25	36	36	50	70	36	50
(DC) 250V - 3 poles in series	(kA)	20	30	40	40	55	85	40	55
(DC) 500V - 2 poles in series	(kA)	-	-	-	-	-	-	-	-
(DC) 500V - 3 poles in series	(kA)	16	25	36	36	50	70	36	50
(DC) 750V - 3 poles in series	(kA)	-	-	-	-	-	-	-	-
Service short-circuit breaking capacity (Ics)									
(AC) 50-60 Hz 380/415V	(kA)	100%	100%	75%	100%	100%	100%	75%	50% (27kA)
(AC) 50-60 Hz 440V	(kA)	100%	75%	50%	100%	100%	100%	75%	50%
(AC) 50-60 Hz 500V	(kA)	100%	75%	50%	100%	100%	100%	75%	50%
(AC) 50-60 Hz 690V	(kA)	100%	75%	50%	100%	100%	100%	75%	50%
Rated short-circuit making capacity Icm (415V)	(kA)	32	52.5	75.6	75.6	105	154	75.6	105
Opening time (415V at Icu)	(ms)	7	6	5	3	3	3	7	6
Utilisation category (IEC 60947-2)		A			A			A	
Suitable for isolation		■			■			■	
Thermomagnetic release for power distribution	T adjustable, M fixed	■			■			■	
	T adjustable, M adjustable (5..10 x In)	■			■			■	
Thermomagnetic release for generator protection	T adjustable, M fixed (3 x In)	■			■ (N - S)			■	
		■			■ (N - S)			■	
Magnetic release for motor protection		■			■ (N - S)			■	
Electronic release for power distribution	SEP/1	■			■			■	
	SEP/2	■			■			■	
Versions		F			F - P			F - P	
Terminals	Fixed (F)	FC Cu - EF - FC CuAl - HR			F - FC Cu - FC CuAl EF - ES - R			F - FC Cu - FC CuAl EF - ES - R	
	Plug-in (P)	-			F - FC Cu - FC CuAl EF - ES - R			F - FC Cu - FC CuAl EF - ES - R	
	Withdrawable (W)	-			-			-	
Fixing on DIN profile		DIN EN 50022			DIN EN 50022			DIN EN 50022	
Mechanical endurance	(No. of total operations / No. hourly operations)	25000 / 240			25000 / 240			25000 / 240	
Electrical endurance (415V)	(No. of total operations / No. hourly operations)	8000 / 120			8000 / 120			8000 / 120	
Standard dimensions, fixed 3/4 poles	L	(mm) 76 / 102			90 / 120			105 / 140	
	D	(mm) 70			70			70	
	H	(mm) 130			130			150	
Operating temperature		(°C) -25 +70			-25 +70			-25 +70	
Weight	Fixed (F)	(kg) 0.9 / 1.2			1.1 / 1.5			1.5 / 2	
	Plug-in (P)	(kg) -			1.5 / 1.9			2.7 / 3.7	
	Withdrawable (W)	(kg) -			-			-	

Version key:
 F - Fixed
 P - Plug-in
 W - Withdrawable

Terminals key:
 F = Front
 EF = Extended front
 ES = Extended divaricated front

FC Cu = Front for copper cables
 FC CuAl = Front for copper or aluminium cables
 R = Rear threaded

HR = Rear horizontal flat
 VR = Rear vertical flat
 MC = multi-cable

MTX 320 - MTXE 320				MTX 630 - MTXE 630				MTX 1000 - MTXE 1000				MTSE 1600			
IEC 60947-2				IEC 60947-2				IEC 60947-2				IEC 60947-2			
250 / 320				400 / 630				630/800/1000				1250 / 1600			
3-4				3-4				3-4				3-4			
690				690				690				690			
750				750				750				-			
8				8				8				8			
IV				IV				IV				IV			
1000				1000				1000				800			
3500				3500				3500				3000			
N	S	H	L	N	S	H	L	N	S	H	L	S	H	L	
70	85	100	200	70	85	100	200	70	85	100	200	85	100	200	
36	50	70	120	36	50	70	120	36	50	70	100	50	65	100	
30	40	65	100	30	40	65	100	30	45	50	80	40	55	80	
25	30	50	85	25	30	50	85	25	35	50	65	35	45	70	
20	25	40	70	20	25	40	70	20	22	25	30	20	25	35	
36	50	70	100	36	50	70	100	36	50	70	100	-	-	-	
-	-	-	-	-	-	-	-	-	-	-	-	-	-	-	
25	36	50	70	25	36	50	70	20	35	50	65	-	-	-	
-	-	-	-	-	-	-	-	-	-	-	-	-	-	-	
16	25	36	50	16	25	36	50	16	20	36	50	-	-	-	
100%	100%	100%	100%	100%	100%	100%	100%	100%	100%	100%	75%	100%	75%	50%	
100%	100%	100%	100%	100%	100%	100%	100%	100%	100%	100%	75%	100%	75%	50%	
100%	100%	100%	100%	100%	100%	100%	100% ¹	100%	100%	100%	75%	100%	75%	50%	
100%	100%	100%	100%	100%	100%	100% ¹	100% ²	75%	75%	75%	75%	100%	75%	50%	
75.6	105	154	264	75.6	105	154	264	75.6	105	154	220	105	143	220	
5	5	5	5	6	6	6	6	10	9	8	7	22	22	22	
A				B (400A) ⁵ - A (630 A)				B (630-800 A) ⁵ - A (1000 A)				B ⁷			
■				■				■				■			
■				■				■				■			
■				■				■				■			
■				■				■				■			
■				■				■				■			
■				■				■				■			
F - P - W				F - P - W				F - W ⁶				F - W			
F - FC Cu - FC CuAl EF - ES - R - MC				F - FC CuAl EF - ES - R - RC				F - FC CuAl EF - ES - R - RC				F - FC CuAl (1250A) EF - ES - HR - VR			
EF - ES - HR - VR FC Cu - FC CuAl				EF - ES - HR - VR FC Cu - FC CuAl				-				-			
EF - ES - HR - VR FC Cu - FC CuAl				EF - ES - HR - VR FC Cu - FC CuAl				EF ⁴ - HR - VR				EF - HR - VR			
-				-				-				-			
20000 / 240				20000 / 120				20000 / 120				10000 / 120			
8000 / 120 (250A) 6000 / 120 (320A)				7000 / 60 (400A) 5000 / 60 (630A)				7000 / 60 (630A) 5000 / 60 (800A) 4000 / 60 (1000A)				7000 / 20 (1250A) 5000 / 20 (1600A)			
105 / 140				140 / 184				210 / 280				210 / 280			
103.5				103.5				103.5				138.5			
205				205				268				406			
-25 +70				-25 +70				-25 +70				-25 +70			
2.35 / 3.05				3.25 / 4.15				9.5 / 12				17 / 22			
3.6 / 4.65				5.15 / 6.65				-				-			
3.85 / 4.9				5.4 / 6.9				12.1 / 15.1				21.8 / 29.2			




Notes:
 1 - 75% for In=630A
 2 - 50% for In=630A
 3 - Not available for In=1000A

4 - The EF terminals are supplied with the circuit breaker in the version In=1000A
 5 - Icw=5kA
 6 - Icw=7.6kA (630A) - 10kA (800A)
 7 - Icw=15kA (1250A) - 20kA (1600A)

In the plug-in assembly of MTX/E 160, MTX 250 and MTX/E 630 (630A), and in the withdrawable assembly of MTX/E 630 (630A), the maximum calibration is derated by 10% to 40°C

MTXM - SWITCH DISCONNECTORS

Technical data

				MTXM 160 c	MTXM 250	MTXM 320		
								
Standard				IEC 60947-3	IEC 60947-3	IEC 60947-3		
Conventional thermal current (Ith)	(A)		160	250	320			
Rated operating current in category AC22 (Ie)	(A)		160	250	320			
Rated operating current in category AC23 (Ie)	(A)		125	200	250			
No. of poles			3-4	3-4	3-4			
Rated operational voltage (Ue)	(AC) 50-60Hz	(V)	690	690	690			
	(DC)	(V)	500	500	750			
Rated impulse withstand voltage (Uimp)		(kV)	8	8	8			
Oversvoltage category			IV	IV	IV			
Rated insulation voltage (Ui)		(V)	800	800	800			
Test voltage at industrial frequency for 1 min.		(V)	3000	3000	3000			
Rated short-circuit making capacity (Icm)		(kA)	2.8	5.3	5.3			
Brief allowable rated current for 1s (Icw)		(kA)	2	3.6	3.6			
Versions			F	F - P	F - P - W			
Terminals			FC Cu - EF - FC CuAl	F - FC CuAl - FC Cu - EF - ES - R	F - FC CuAl - FC Cu - EF - ES - R - MC - HR - VR			
Mechanical endurance	(no. of manoeuvres / operations per hour)		25000 / 120	25000 / 120	20000 / 120			
Standard dimensions, fixed, 3/4 poles	L	(mm)	76 / 102	105 / 140	105 / 140			
	D	(mm)	70	70	103.5			
	H	(mm)	130	150	205			
Operating temperature		(°C)	-25 +70	-25 +70	-25 +70			
Weight	Fixed (F)	3 / 4 P	(kg)	0.9 / 1.2	1.5 / 2	2.35 / 3.05		
	Plug-in version (P)	3 / 4 P	(kg)	/	2.1 / 3.7	3.6 / 4.65		
	Withdrawable version (W)	3 / 4 P	(kg)	/	/	3.85 / 4.9		

Version key:
 F - Fixed
 P - Plug-in
 W - Withdrawable

Terminals key:
 F = Front
 EF = Extended front
 ES = Extended divaricated front
 FC Cu = Front for copper cables
 FC CuAl = Front for copper or aluminium cables
 R = Rear threaded
 HR = Rear horizontal flat
 VR = Rear vertical flat
 MC = multi-cable

COORDINATION BETWEEN SWITCH DISCONNECTORS AND MCCB'S - 380/415V a.c.

MCCB'S

RANGE		MTX 160c			MTX 160 - MTXE 160			MTX 250		MTX 320 - MTXE 320				MTX 630 - MTXE 630 (400A)			
		16	25	36	36	50	70	36	50	36	50	70	120	36	50	70	120
SWITCH DISCONNECTORS	MTXM 160c	16	25	36	36	50	70	-	-	-	-	-	-	-	-	-	-
	MTXM 250	-	-	-	-	-	-	36	50	36	50	70	120	-	-	-	-
	MTXM 320	-	-	-	-	-	-	-	-	36	50	70	120	-	-	-	-
	MTXM 400	-	-	-	-	-	-	-	-	-	-	-	-	36	50	70	120
	MTXM 630	-	-	-	-	-	-	-	-	-	-	-	-	-	-	-	-
	MTXM 800	-	-	-	-	-	-	-	-	-	-	-	-	-	-	-	-
	MTXM 1000	-	-	-	-	-	-	-	-	-	-	-	-	-	-	-	-
	MTSM 1600	-	-	-	-	-	-	-	-	-	-	-	-	-	-	-	-

MTXM 400	MTXM 630	MTXM 800	MTXM 1000	MTSM 1600
IEC 60947-3	IEC 60947-3	IEC 60947-3	IEC 60947-3	IEC 60947-3
400	630	800	1000	1250 / 1600
400	630	800	1000	1250 / 1600
400	400	800	800	/
3-4	3-4	3-4	3-4	3-4
690	690	690	690	690
750	750	750	750	750
8	8	8	8	8
IV	IV	IV	IV	IV
800	800	1000	1000	800
3000	3000	3500	3500	3000
11	11	30	30	52.5
6	6	15	15	25
F - P - W	F - P - W	F - W	F	F - W
F - FC CuAl - FC Cu - EF - ES - R - HR - VR	F - FC CuAl - FC Cu - EF - ES - R - HR - VR	F - FC CuAl - EF - ES - R - RC	F - FC CuAl - EF - ES - R - RC	F - EF - FC CuAl (1250) - HR - VR
20000 / 120	20000 / 120	20000 / 120	20000 / 120	1000 / 120
140 / 184	140 / 184	210 / 280	210 / 280	210 / 280
103.5	103.5	103.5	103.5	138.5
205	205	268	268	406
-25 +70	-25 +70	-25 +70	-25 +70	-25 +70
3.25 / 4.15	3.25 / 4.15	9.5 / 12	9.5 / 12	17 / 22
5.15 / 6.65	5.15 / 6.65	/	/	/
5.4 / 6.9	5.4 / 6.9	12.1 / 15.1	/	21.8 / 29.2




COORDINATION BETWEEN SWITCH DISCONNECTORS AND MCCB'S - 380/415V a.c.

MCCB'S

MTXE 630 (630A)				MTX 1000 - MTXE 1000 (800A)				MTXE 1000 (1000A)				MTSE 1600		
36	50	70	120	36	50	70	100	36	50	70	100	50	65	100
-	-	-	-	-	-	-	-	-	-	-	-	-	-	-
-	-	-	-	-	-	-	-	-	-	-	-	-	-	-
-	-	-	-	-	-	-	-	-	-	-	-	-	-	-
-	-	-	-	-	-	-	-	-	-	-	-	-	-	-
36	50	70	120	-	-	-	-	-	-	-	-	-	-	-
-	-	-	-	36	50	70	100	36	50	70	100	-	-	-
-	-	-	-	-	-	-	-	36	50	70	100	-	-	-
-	-	-	-	-	-	-	-	-	-	-	-	50	65	100

ADD-ON RCD FOR MTX/M

Technical data

TYPE	BDI (instantaneous)		BDR (adjustable)	
				
Suitable for	MTX/M 160c - MTX/E160 MTX/M 250	MTX/M 160c - MTX/E160 MTX/M 250	MTX/E/M 320 - MTXM 400 MTX/E/M 630	
Type	"L"-shaped	"L"-shaped	Placed below	
Technology	Electronic	Electronic	Electronic	
Action	Solenoid	Solenoid	Solenoid	
Primary operating voltage ⁽¹⁾	(V) 85...500	85...500	85...500	
Operating frequency	(Hz) 45...66	45...66	45...66	
Self-powered	Yes	Yes	Yes	
Test operation range ⁽¹⁾	(V) 85...500	85...500	85...500	
Rated operating current	(A) Up to 250	Up to 250	Up to 500	
Adjustable tripping thresholds	(A) 0.03 - 0.1 - 0.3 - 0.5 - 1 - 3	0.03 - 0.05 - 0.1 - 0.3 - 0.5 - 1 - 2 - 3	0.03 - 0.05 - 0.1 - 0.3 - 0.5 - 1 - 3 - 5 - 10	
Adjustable tripping times	(s) Instantaneous	Instantaneous 0.1 - 0.2 - 0.3 - 0.5 - 1 - 2 - 3	Instantaneous 0.1 - 0.2 - 0.3 - 0.5 - 1 - 2 - 3	
Tolerance for tripping time		± 20%	± 20%	
Absorbed power ⁽²⁾	< 8W at 400V AC	< 10W at 400V AC	< 10W at 400V AC	
Local tripping signalling	■	■	■	
Change-over contact for tripping signalling	■	■	■	
Input for remote opening		■	■	
NO contact for pre-alarm signalling		■	■	
NO contact for alarm signalling		■	■	
Pre-alarm indication at 25% I _{dn} (tolerance ±3%)	■	■	■	
Timed alarm indication at 75% I _{dn} (tolerance ±3%)	■	■	■	
A type for alternating and pulsating current AC type only for alternating current	■	■	■	
AE type with remote release		■	■	
S type (selective)		■	■	
Button key for insulation test	■	■	■	
Power supply from above or below	■	■	■	
Kit for converting circuit breaker with RCCB from fixed to plug-in		■	■	

⁽¹⁾ Operation up to 50V phase-neutral

⁽²⁾ The absorbed power values may be lower when the power supply voltage values are lower

Selection tables

MSS SWITCH DISCONNECTORS										
	MSS 125		MSS 160		MSS 250		MSS 630		MSS 125 THREE-WAY SWITCH (I O II)	MSS ATS 160 AUTOMATIC THREE WAY SWITCH
In [A]	3P	4P	3P	4P	3P	4P	3P	4P	4P	4P
63	GW 97 721	GW 97 724	-	-	-	-	-	-	-	-
100	GW 97 722	GW 97 725	-	-	-	-	-	-	-	-
125	GW 97 723	GW 97 726	-	-	-	-	-	-	GW 97 761	-
160	-	-	GW 97 727	GW 97 728	-	-	-	-	-	GW 97 767
250	-	-	-	-	GW 97 729	GW 97 730	-	-	-	-
400	-	-	-	-	-	-	GW 97 731	GW 97 733	-	-
630	-	-	-	-	-	-	GW 97 732	GW 97 734	-	-

DOOR COUPLING ROTARY HANDLES - IP65



MSS 100 - MSS 125 - MSS 160		MSS 200 - MSS 250 - MSS 400 - MSS 630		MSS 125 - THREE-WAY SWITCH (I O II)
Black handle	Red handle	Black handle	Red handle	Black handle
GW 98 521	GW 98 524	GW 98 522	GW 98 525	GW 98 523

Note: all the rotary handles include transmission rods.

AUXILIARY CONTACTS

MSS 100 - MSS 125 - MSS 160	MSS 250 - MSS 630	MSS 125 - THREE-WAY SWITCH (I O II)	MSS 160 ATS - AUTOMATIC THREE-WAY SWITCH
GW 98 514	GW 98 515	GW 98 516	GW 97 774

TERMINAL COVERS (1 CODE = 1 PIECE)



MSS 160	MSS 250		MSS 630		MSS 160 ATS AUTOMATIC THREE-WAY SWITCH
3P - 4P	3P	4P	3P	4P	4P
GW 98 508	GW 98 509	GW 98 510	GW 98 511	GW 98 512	GW 97 773

MTX

Moulded case circuit breakers for power distribution

The MTX range represents the ideal solution for industrial and advanced commercial systems thanks to its considerable potential in terms of adjustment (from 1 to 1600 A) and breaking capacity (from 16 to 120 kA), with rated voltage up to 690 V. The range is completed with a wide choice of accessories for all system requirements and offers total integration with boards of the 47 CVX range.



Technical characteristics page 191

MTX 160C - MCCB'S UP TO 160 A

MTX 160C - MCCB'S - B TYPE - 16 KA



GW D7 031

TM1 RELEASE (IM=10IN)

Code	Rated current	Pack Carton
No. of poles: 3P		
GW D7 001	16 A	1
GW D7 002	20 A	1
GW D7 003	25 A	1
GW D7 004	32 A	1
GW D7 005	40 A	1
GW D7 006	50 A	1
GW D7 007	63 A	1
GW D7 008	80 A	1
GW D7 009	100 A	1
GW D7 010	125 A	1
GW D7 011	160 A	1
No. of poles: 4P		
GW D7 021	16 A	1
GW D7 022	20 A	1
GW D7 023	25 A	1
GW D7 024	32 A	1
GW D7 025	40 A	1
GW D7 026	50 A	1
GW D7 027	63 A	1
GW D7 028	80 A	1
GW D7 029	100 A	1
GW D7 030	125 A	1
GW D7 031	160 A	1

NOTES: for mounting on EN 50022 DIN rail, choose the fixing bracket GWD8261.

The space taken up on the EN 50022 DIN rail is approximately 4 modules for the 3P versions and 6 modules for the 4P versions.

ACCESSORIES SUPPLIED: supplied with front terminals for copper cables (FC Cu).

MTX 160C - MCCB'S - C TYPE - 25 KA



GW D7 059

TM1 RELEASE (IM=10IN)

Code	Rated current	Pack Carton
No. of poles: 3P		
GW D7 041	25 A	1
GW D7 042	32 A	1
GW D7 043	40 A	1
GW D7 044	50 A	1
GW D7 045	63 A	1
GW D7 046	80 A	1
GW D7 047	100 A	1
GW D7 048	125 A	1
GW D7 049	160 A	1
No. of poles: 4P		
GW D7 051	25 A	1
GW D7 052	32 A	1
GW D7 053	40 A	1
GW D7 054	50 A	1
GW D7 055	63 A	1
GW D7 056	80 A	1
GW D7 057	100 A	1
GW D7 058	125 A	1
GW D7 059	160 A	1

NOTES: for mounting on EN 50022 DIN rail, choose the fixing bracket GWD8261.

The space taken up on the EN 50022 DIN rail is approximately 4 modules for the 3P versions and 6 modules for the 4P versions.

ACCESSORIES SUPPLIED: supplied with front terminals for copper cables (FC Cu).

MTX 160C - MCCB'S - N TYPE - 36 KA



GW D7 078

TM1 RELEASE (IM=10IN)

Code	Rated current	Pack Carton
No. of poles: 3P		
GW D7 061	32 A	1
GW D7 062	40 A	1
GW D7 063	50 A	1
GW D7 064	63 A	1
GW D7 065	80 A	1
GW D7 066	100 A	1
GW D7 067	125 A	1
GW D7 068	160 A	1
No. of poles: 4P		
GW D7 071	32 A	1
GW D7 072	40 A	1
GW D7 073	50 A	1
GW D7 074	63 A	1
GW D7 075	80 A	1
GW D7 076	100 A	1
GW D7 077	125 A	1
GW D7 078	160 A	1

NOTES: for mounting on EN 50022 DIN rail, choose the fixing bracket GWD8261.

The space taken up on the EN 50022 DIN rail is approximately 4 modules for the 3P versions and 6 modules for the 4P versions.

ACCESSORIES SUPPLIED: supplied with front terminals for copper cables (FC Cu).

MTX 160 / MTXE 160 - MCCB'S UP TO 160 A

MTX 160 - MCCB'S - N TYPE - 36 KA



GW D7 938

TM1 RELEASE (IM=10IN)

Code	Rated current	Pack Carton
No. of poles: 3P		
GW D7 931	10 A	1
GW D7 932	16 A	1
GW D7 933	20 A	1
GW D7 934	25 A	1
No. of poles: 4P		
GW D7 936	10 A	1
GW D7 937	16 A	1
GW D7 938	20 A	1
GW D7 939	25 A	1

NOTES: for mounting on EN 50022 DIN rail, choose the fixing bracket GWD8261.

The space taken up on the EN 50022 DIN rail is approximately 5 modules for the 3P versions and 7 modules for the 4P versions.

ACCESSORIES SUPPLIED: supplied with front terminals (F).

MTX 160 - MCCB'S FOR GENERATOR PROTECTION - N TYPE - 36 KA



GW D7 094

TMG RELEASE (IM=3IN)

Code	Rated current	Pack Carton
No. of poles: 3P		
GW D7 081	25 A	1
GW D7 082	40 A	1
GW D7 083	63 A	1
GW D7 084	80 A	1
GW D7 085	100 A	1
GW D7 086	125 A	1
GW D7 087	160 A	1
No. of poles: 4P		
GW D7 091	25 A	1
GW D7 092	40 A	1
GW D7 093	63 A	1
GW D7 094	80 A	1
GW D7 095	100 A	1
GW D7 096	125 A	1
GW D7 097	160 A	1

NOTES: for mounting on EN 50022 DIN rail, choose the fixing bracket GWD8261.

The space taken up on the EN 50022 DIN rail is approximately 5 modules for the 3P versions and 7 modules for the 4P versions.

ACCESSORIES SUPPLIED: supplied with front terminals (F).

MTXE 160 - MCCB'S WITH ELECTRONIC RELEASE - N TYPE - 36 KA



GW D7 155

ELECTRONIC RELEASE

Code	Microprocessor functions	Rated current	Type of release	Pack Carton
No. of poles: 3P				
GW D7 146	I	10 A	SEP/1	1
GW D7 147	I	25 A	SEP/1	1
GW D7 148	I	63 A	SEP/1	1
GW D7 149	I	100 A	SEP/1	1
GW D7 150	I	160 A	SEP/1	1
GW D7 141	L S / I	10 A	SEP/1	1
GW D7 142	L S / I	25 A	SEP/1	1
GW D7 143	L S / I	63 A	SEP/1	1
GW D7 144	L S / I	100 A	SEP/1	1
GW D7 145	L S / I	160 A	SEP/1	1
No. of poles: 4P				
GW D7 156	I	10 A	SEP/1	1
GW D7 157	I	25 A	SEP/1	1
GW D7 158	I	63 A	SEP/1	1
GW D7 159	I	100 A	SEP/1	1
GW D7 160	I	160 A	SEP/1	1
GW D7 151	L S / I	10 A	SEP/1	1
GW D7 152	L S / I	25 A	SEP/1	1
GW D7 153	L S / I	63 A	SEP/1	1
GW D7 154	L S / I	100 A	SEP/1	1
GW D7 155	L S / I	160 A	SEP/1	1

NOTES: for mounting on EN 50022 DIN rail, choose the fixing bracket GWD8261.

The space taken up on the EN 50022 DIN rail is approximately 5 modules for the 3P versions and 7 modules for the 4P versions.

ACCESSORIES SUPPLIED: supplied with front terminals (F).

MTXE 160 - MCCB'S WITH ELECTRONIC RELEASE - S TYPE - 50 KA



GW D7 175

ELECTRONIC RELEASE

Code	Microprocessor functions	Rated current	Type of release	Pack Carton
No. of poles: 3P				
GW D7 166	I	10 A	SEP/1	1
GW D7 167	I	25 A	SEP/1	1
GW D7 168	I	63 A	SEP/1	1
GW D7 169	I	100 A	SEP/1	1
GW D7 170	I	160 A	SEP/1	1
GW D7 161	L S / I	10 A	SEP/1	1
GW D7 162	L S / I	25 A	SEP/1	1
GW D7 163	L S / I	63 A	SEP/1	1
GW D7 164	L S / I	100 A	SEP/1	1
GW D7 165	L S / I	160 A	SEP/1	1
No. of poles: 4P				
GW D7 176	I	10 A	SEP/1	1
GW D7 177	I	25 A	SEP/1	1
GW D7 178	I	63 A	SEP/1	1
GW D7 179	I	100 A	SEP/1	1
GW D7 180	I	160 A	SEP/1	1
GW D7 171	L S / I	10 A	SEP/1	1
GW D7 172	L S / I	25 A	SEP/1	1
GW D7 173	L S / I	63 A	SEP/1	1
GW D7 174	L S / I	100 A	SEP/1	1
GW D7 175	L S / I	160 A	SEP/1	1

NOTES: for mounting on EN 50022 DIN rail, choose the fixing bracket GWD8261.

The space taken up on the EN 50022 DIN rail is approximately 5 modules for the 3P versions and 7 modules for the 4P versions.

ACCESSORIES SUPPLIED: supplied with front terminals (F).

MTXE 160 - MCCB'S WITH ELECTRONIC RELEASE - H TYPE - 70 KA



GW D7 195

ELECTRONIC RELEASE

Code	Microprocessor functions	Rated current	Type of release	Pack Carton
No. of poles: 3P				
GW D7 186	I	10 A	SEP/1	1
GW D7 187	I	25 A	SEP/1	1
GW D7 188	I	63 A	SEP/1	1
GW D7 189	I	100 A	SEP/1	1
GW D7 190	I	160 A	SEP/1	1
GW D7 181	L S / I	10 A	SEP/1	1
GW D7 182	L S / I	25 A	SEP/1	1
GW D7 183	L S / I	63 A	SEP/1	1
GW D7 184	L S / I	100 A	SEP/1	1
GW D7 185	L S / I	160 A	SEP/1	1
No. of poles: 4P				
GW D7 196	I	10 A	SEP/1	1
GW D7 197	I	25 A	SEP/1	1
GW D7 198	I	63 A	SEP/1	1
GW D7 199	I	100 A	SEP/1	1
GW D7 200	I	160 A	SEP/1	1
GW D7 191	L S / I	10 A	SEP/1	1
GW D7 192	L S / I	25 A	SEP/1	1
GW D7 193	L S / I	63 A	SEP/1	1
GW D7 194	L S / I	100 A	SEP/1	1
GW D7 195	L S / I	160 A	SEP/1	1

NOTES: for mounting on EN 50022 DIN rail, choose the fixing bracket GWD8261.

The space taken up on the EN 50022 DIN rail is approximately 5 modules for the 3P versions and 7 modules for the 4P versions.

ACCESSORIES SUPPLIED: supplied with front terminals (F).

MTX 160 - MCCB'S WITH MAGNETIC RELEASE FOR GENERATOR PROTECTION - N TYPE - 36 KA



GW D7 116

ONLY MAGNETIC RELEASE - M

Code	Rated current	Pack Carton
No. of poles: 3P		
GW D7 101	1 A	1
GW D7 102	1.6 A	1
GW D7 103	2 A	1
GW D7 104	2.5 A	1
GW D7 105	3.2 A	1
GW D7 106	4 A	1
GW D7 107	5 A	1
GW D7 108	6.5 A	1
GW D7 109	8.5 A	1
GW D7 110	11 A	1
GW D7 111	12.5 A	1
GW D7 112	20 A	1
GW D7 113	32 A	1
GW D7 114	52 A	1
GW D7 115	80 A	1
GW D7 116	100 A	1

NOTES: for mounting on EN 50022 DIN rail, choose the fixing bracket GWD8261.

The space taken up on the EN 50022 DIN rail is approximately 5 modules for the 3P versions and 7 modules for the 4P versions.

ACCESSORIES SUPPLIED: supplied with front terminals (F).

MTX 160 - MCCB'S WITH MAGNETIC RELEASE FOR GENERATOR PROTECTION - S TYPE - 50 KA



GW D7 136

ONLY MAGNETIC RELEASE - M

Code	Rated current	Pack Carton
No. of poles: 3P		
GW D7 121	1 A	1
GW D7 122	1.6 A	1
GW D7 123	2 A	1
GW D7 124	2.5 A	1
GW D7 125	3.2 A	1
GW D7 126	4 A	1
GW D7 127	5 A	1
GW D7 128	6.5 A	1
GW D7 129	8.5 A	1
GW D7 130	11 A	1
GW D7 131	12.5 A	1
GW D7 132	20 A	1
GW D7 133	32 A	1
GW D7 134	52 A	1
GW D7 135	80 A	1
GW D7 136	100 A	1

NOTES: for mounting on EN 50022 DIN rail, choose the fixing bracket GWD8261.

The space taken up on the EN 50022 DIN rail is approximately 5 modules for the 3P versions and 7 modules for the 4P versions.

ACCESSORIES SUPPLIED: supplied with front terminals (F).

MTX 250 - MCCB'S UP TO 250 A

MTX 250 - MCCB'S - N TYPE - 36 KA



GW D7 217

TM1 RELEASE (IM=10IN)

Code	Rated current	Pack Carton
No. of poles: 3P		
GW D7 201	63 A	1
GW D7 202	80 A	1
GW D7 203	100 A	1
GW D7 204	125 A	1
GW D7 205	160 A	1
GW D7 206	200 A	1
GW D7 207	250 A	1
No. of poles: 4P		
GW D7 211	63 A	1
GW D7 212	80 A	1
GW D7 213	100 A	1
GW D7 214	125 A	1
GW D7 215	160 A	1
GW D7 216	200 A	1
GW D7 217	250 A	1

NOTES: for mounting on EN 50022 DIN rail, choose the fixing bracket GWD8262.

The space taken up on the EN 50022 DIN rail is approximately 6 modules for the 3P versions and 8 modules for the 4P versions.

ACCESSORIES SUPPLIED: supplied with front terminals (F).

MTX 250 - MCCB'S - S TYPE - 50 KA



GW D7 237

TM1 RELEASE (IM=10IN)

Code	Rated current	Pack Carton
No. of poles: 3P		
GW D7 221	63 A	1
GW D7 222	80 A	1
GW D7 223	100 A	1
GW D7 224	125 A	1
GW D7 225	160 A	1
GW D7 226	200 A	1
GW D7 227	250 A	1
No. of poles: 4P		
GW D7 231	63 A	1
GW D7 232	80 A	1
GW D7 233	100 A	1
GW D7 234	125 A	1
GW D7 235	160 A	1
GW D7 236	200 A	1
GW D7 237	250 A	1

NOTES: for mounting on EN 50022 DIN rail, choose the fixing bracket GWD8262.

The space taken up on the EN 50022 DIN rail is approximately 6 modules for the 3P versions and 8 modules for the 4P versions.

ACCESSORIES SUPPLIED: supplied with front terminals (F).

MTX 250 - MCCB'S FOR GENERATOR PROTECTION - N TYPE - 36 KA



GW D7 257

TMG RELEASE (IM=3IN)

Code	Rated current	Pack Carton
No. of poles: 3P		
GW D7 241	63 A	1
GW D7 242	80 A	1
GW D7 243	100 A	1
GW D7 244	125 A	1
GW D7 245	160 A	1
GW D7 246	200 A	1
GW D7 247	250 A	1
No. of poles: 4P		
GW D7 251	63 A	1
GW D7 252	80 A	1
GW D7 253	100 A	1
GW D7 254	125 A	1
GW D7 255	160 A	1
GW D7 256	200 A	1
GW D7 257	250 A	1

NOTES: for mounting on EN 50022 DIN rail, choose the fixing bracket GWD8262.

The space taken up on the EN 50022 DIN rail is approximately 6 modules for the 3P versions and 8 modules for the 4P versions.

ACCESSORIES SUPPLIED: supplied with front terminals (F).

MTX 250 - MCCB'S FOR GENERATOR PROTECTION - S TYPE - 50 KA



GW D7 277

TMG RELEASE (IM=3IN)

Code	Rated current	Pack Carton
No. of poles: 3P		
GW D7 261	63 A	1
GW D7 262	80 A	1
GW D7 263	100 A	1
GW D7 264	125 A	1
GW D7 265	160 A	1
GW D7 266	200 A	1
GW D7 267	250 A	1
No. of poles: 4P		
GW D7 271	63 A	1
GW D7 272	80 A	1
GW D7 273	100 A	1
GW D7 274	125 A	1
GW D7 275	160 A	1
GW D7 276	200 A	1
GW D7 277	250 A	1

NOTES: for mounting on EN 50022 DIN rail, choose the fixing bracket GWD8262.

The space taken up on the EN 50022 DIN rail is approximately 6 modules for the 3P versions and 8 modules for the 4P versions.

ACCESSORIES SUPPLIED: supplied with front terminals (F).

MTX 250 - MCCB'S WITH MAGNETIC RELEASE FOR GENERATOR PROTECTION - N TYPE - 36 KA



GW D7 284

ONLY MAGNETIC RELEASE - M

Code	Rated current	Pack Carton
No. of poles: 3P		
GW D7 281	100 A	1
GW D7 282	125 A	1
GW D7 283	160 A	1
GW D7 284	200 A	1

NOTES: for mounting on EN 50022 DIN rail, choose the fixing bracket GWD8262.

The space taken up on the EN 50022 DIN rail is approximately 6 modules for the 3P versions and 8 modules for the 4P versions.

ACCESSORIES SUPPLIED: supplied with front terminals (F).

MTX 250 - MCCB'S WITH MAGNETIC RELEASE FOR GENERATOR PROTECTION - S TYPE - 50 KA



GW D7 294

ONLY MAGNETIC RELEASE - M

Code	Rated current	Pack Carton
No. of poles: 3P		
GW D7 291	100 A	1
GW D7 292	125 A	1
GW D7 293	160 A	1
GW D7 294	200 A	1

NOTES: for mounting on EN 50022 DIN rail, choose the fixing bracket GWD8262.

The space taken up on the EN 50022 DIN rail is approximately 6 modules for the 3P versions and 8 modules for the 4P versions.

ACCESSORIES SUPPLIED: supplied with front terminals (F).

MTX 320 / MTXE 320 - MCCB'S UP TO 320 A

MTX 320 - MCCB'S - N TYPE - 36 KA



GW D7 315

TM2 RELEASE (IM=5-10IN)

Code	Rated current	Pack Carton
No. of poles: 3P		
GW D7 301	100 A	1
GW D7 302	125 A	1
GW D7 303	160 A	1
GW D7 304	200 A	1
GW D7 305	250 A	1
No. of poles: 4P		
GW D7 311	100 A	1
GW D7 312	125 A	1
GW D7 313	160 A	1
GW D7 314	200 A	1
GW D7 315	250 A	1

ACCESSORIES SUPPLIED: supplied with front terminals (F).

MTX 320 - MCCB'S - S TYPE - 50 KA



GW D7 335

TM2 RELEASE (IM=5-10IN)

Code	Rated current	Pack Carton
No. of poles: 3P		
GW D7 321	100 A	1
GW D7 322	125 A	1
GW D7 323	160 A	1
GW D7 324	200 A	1
GW D7 325	250 A	1
No. of poles: 4P		
GW D7 331	100 A	1
GW D7 332	125 A	1
GW D7 333	160 A	1
GW D7 334	200 A	1
GW D7 335	250 A	1

ACCESSORIES SUPPLIED: supplied with front terminals (F).

MTXE 320 - MCCB'S WITH ELECTRONIC RELEASE - N TYPE - 36 KA



GW D7 376

ELECTRONIC RELEASE

Code	Microprocessor functions	Rated current	Type of release	Pack Carton
No. of poles: 3P				
GW D7 344	I	100 A	SEP/1	1
GW D7 345	I	160 A	SEP/1	1
GW D7 346	I	250 A	SEP/1	1
GW D7 354	I	320 A	SEP/1	1
GW D7 341	L S / I	100 A	SEP/1	1
GW D7 342	L S / I	160 A	SEP/1	1
GW D7 343	L S / I	250 A	SEP/1	1
GW D7 353	L S / I	320 A	SEP/1	1
GW D7 347	L S I	100 A	SEP/2	1
GW D7 348	L S I	160 A	SEP/2	1
GW D7 349	L S I	250 A	SEP/2	1
GW D7 355	L S I	320 A	SEP/2	1
GW D7 350	L S I G	100 A	SEP/2	1
GW D7 351	L S I G	160 A	SEP/2	1
GW D7 352	L S I G	250 A	SEP/2	1
GW D7 356	L S I G	320 A	SEP/2	1
No. of poles: 4P				
GW D7 364	I	100 A	SEP/1	1
GW D7 365	I	160 A	SEP/1	1
GW D7 366	I	250 A	SEP/1	1
GW D7 374	I	320 A	SEP/1	1
GW D7 361	L S / I	100 A	SEP/1	1
GW D7 362	L S / I	160 A	SEP/1	1
GW D7 363	L S / I	250 A	SEP/1	1
GW D7 373	L S / I	320 A	SEP/1	1
GW D7 367	L S I	100 A	SEP/2	1
GW D7 368	L S I	160 A	SEP/2	1
GW D7 369	L S I	250 A	SEP/2	1
GW D7 375	L S I	320 A	SEP/2	1
GW D7 370	L S I G	100 A	SEP/2	1
GW D7 371	L S I G	160 A	SEP/2	1
GW D7 372	L S I G	250 A	SEP/2	1
GW D7 376	L S I G	320 A	SEP/2	1

ACCESSORIES SUPPLIED: supplied with front terminals (F).

MTXE 320 - MCCB'S WITH ELECTRONIC RELEASE - S TYPE - 50 KA



GW D7 416

ELECTRONIC RELEASE

Code	Microprocessor functions	Rated current	Type of release	Pack Carton
No. of poles: 3P				
GW D7 384	I	100 A	SEP/1	1
GW D7 385	I	160 A	SEP/1	1
GW D7 386	I	250 A	SEP/1	1
GW D7 394	I	320 A	SEP/1	1
GW D7 381	LS / I	100 A	SEP/1	1
GW D7 382	LS / I	160 A	SEP/1	1
GW D7 383	LS / I	250 A	SEP/1	1
GW D7 393	LS / I	320 A	SEP/1	1
GW D7 387	LS I	100 A	SEP/2	1
GW D7 388	LS I	160 A	SEP/2	1
GW D7 389	LS I	250 A	SEP/2	1
GW D7 395	LS I	320 A	SEP/2	1
GW D7 390	LS I G	100 A	SEP/2	1
GW D7 391	LS I G	160 A	SEP/2	1
GW D7 392	LS I G	250 A	SEP/2	1
GW D7 396	LS I G	320 A	SEP/2	1
No. of poles: 4P				
GW D7 404	I	100 A	SEP/1	1
GW D7 405	I	160 A	SEP/1	1
GW D7 406	I	250 A	SEP/1	1
GW D7 414	I	320 A	SEP/1	1
GW D7 401	LS / I	100 A	SEP/1	1
GW D7 402	LS / I	160 A	SEP/1	1
GW D7 403	LS / I	250 A	SEP/1	1
GW D7 413	LS / I	320 A	SEP/1	1
GW D7 407	LS I	100 A	SEP/2	1
GW D7 408	LS I	160 A	SEP/2	1
GW D7 409	LS I	250 A	SEP/2	1
GW D7 415	LS I	320 A	SEP/2	1
GW D7 410	LS I G	100 A	SEP/2	1
GW D7 411	LS I G	160 A	SEP/2	1
GW D7 412	LS I G	250 A	SEP/2	1
GW D7 416	LS I G	320 A	SEP/2	1

ACCESSORIES SUPPLIED: supplied with front terminals (F).

MTXE 320 - MCCB'S WITH ELECTRONIC RELEASE - H TYPE - 70 KA



GW D7 456

ELECTRONIC RELEASE

Code	Microprocessor functions	Rated current	Type of release	Pack Carton
No. of poles: 3P				
GW D7 424	I	100 A	SEP/1	1
GW D7 425	I	160 A	SEP/1	1
GW D7 426	I	250 A	SEP/1	1
GW D7 434	I	320 A	SEP/1	1
GW D7 421	LS / I	100 A	SEP/1	1
GW D7 422	LS / I	160 A	SEP/1	1
GW D7 423	LS / I	250 A	SEP/1	1
GW D7 433	LS / I	320 A	SEP/1	1
GW D7 427	LS I	100 A	SEP/2	1
GW D7 428	LS I	160 A	SEP/2	1
GW D7 429	LS I	250 A	SEP/2	1
GW D7 435	LS I	320 A	SEP/2	1
GW D7 430	LS I G	100 A	SEP/2	1
GW D7 431	LS I G	160 A	SEP/2	1
GW D7 432	LS I G	250 A	SEP/2	1
GW D7 436	LS I G	320 A	SEP/2	1
No. of poles: 4P				
GW D7 444	I	100 A	SEP/1	1
GW D7 445	I	160 A	SEP/1	1
GW D7 446	I	250 A	SEP/1	1
GW D7 454	I	320 A	SEP/1	1
GW D7 441	LS / I	100 A	SEP/1	1
GW D7 442	LS / I	160 A	SEP/1	1
GW D7 443	LS / I	250 A	SEP/1	1
GW D7 453	LS / I	320 A	SEP/1	1
GW D7 447	LS I	100 A	SEP/2	1
GW D7 448	LS I	160 A	SEP/2	1
GW D7 449	LS I	250 A	SEP/2	1
GW D7 455	LS I	320 A	SEP/2	1
GW D7 450	LS I G	100 A	SEP/2	1
GW D7 451	LS I G	160 A	SEP/2	1
GW D7 452	LS I G	250 A	SEP/2	1
GW D7 456	LS I G	320 A	SEP/2	1

ACCESSORIES SUPPLIED: supplied with front terminals (F).

MTXE 320 - MCCB'S WITH ELECTRONIC RELEASE - L TYPE - 120 KA



GW D7 496

ELECTRONIC RELEASE

Code	Microprocessor functions	Rated current	Type of release	Pack Carton
No. of poles: 3P				
GW D7 464	I	100 A	SEP/1	1
GW D7 465	I	160 A	SEP/1	1
GW D7 466	I	250 A	SEP/1	1
GW D7 474	I	320 A	SEP/1	1
GW D7 461	LS / I	100 A	SEP/1	1
GW D7 462	LS / I	160 A	SEP/1	1
GW D7 463	LS / I	250 A	SEP/1	1
GW D7 473	LS / I	320 A	SEP/1	1
GW D7 467	LS I	100 A	SEP/2	1
GW D7 468	LS I	160 A	SEP/2	1
GW D7 469	LS I	250 A	SEP/2	1
GW D7 475	LS I	320 A	SEP/2	1
GW D7 470	LS IG	100 A	SEP/2	1
GW D7 471	LS IG	160 A	SEP/2	1
GW D7 472	LS IG	250 A	SEP/2	1
GW D7 476	LS IG	320 A	SEP/2	1
No. of poles: 4P				
GW D7 484	I	100 A	SEP/1	1
GW D7 485	I	160 A	SEP/1	1
GW D7 486	I	250 A	SEP/1	1
GW D7 494	I	320 A	SEP/1	1
GW D7 481	LS / I	100 A	SEP/1	1
GW D7 482	LS / I	160 A	SEP/1	1
GW D7 483	LS / I	250 A	SEP/1	1
GW D7 493	LS / I	320 A	SEP/1	1
GW D7 487	LS I	100 A	SEP/2	1
GW D7 488	LS I	160 A	SEP/2	1
GW D7 489	LS I	250 A	SEP/2	1
GW D7 495	LS I	320 A	SEP/2	1
GW D7 490	LS IG	100 A	SEP/2	1
GW D7 491	LS IG	160 A	SEP/2	1
GW D7 492	LS IG	250 A	SEP/2	1
GW D7 496	LS IG	320 A	SEP/2	1

ACCESSORIES SUPPLIED: supplied with front terminals (F).

MTX 630 / MTXE 630 - MCCB'S UP TO 630 A

MTX 630 - MCCB'S - N TYPE - 36 KA



GW D7 508

TM2 RELEASE (IM=5-10IN)

Code	Rated current	Pack Carton
No. of poles: 3P		
GW D7 501	320 A	1
GW D7 502	400 A	1
GW D7 503	500 A	1
No. of poles: 4P		
GW D7 506	320 A	1
GW D7 507	400 A	1
GW D7 508	500 A	1

ACCESSORIES SUPPLIED: supplied with front terminals (F).

MTX 630 - MCCB'S - S TYPE - 50 KA



GW D7 518

TM2 RELEASE (IM=5-10IN)

Code	Rated current	Pack Carton
No. of poles: 3P		
GW D7 511	320 A	1
GW D7 512	400 A	1
GW D7 513	500 A	1
No. of poles: 4P		
GW D7 516	320 A	1
GW D7 517	400 A	1
GW D7 518	500 A	1

ACCESSORIES SUPPLIED: supplied with front terminals (F).

MTX 630 - MCCB'S - H TYPE - 70 KA



GW D7 528

TM2 RELEASE (IM=5-10IN)

Code	Rated current	Pack Carton
No. of poles: 3P		
GW D7 521	320 A	1
GW D7 522	400 A	1
GW D7 523	500 A	1
No. of poles: 4P		
GW D7 526	320 A	1
GW D7 527	400 A	1
GW D7 528	500 A	1

ACCESSORIES SUPPLIED: supplied with front terminals (F).

MTXE 630 - MCCB'S WITH ELECTRONIC RELEASE - N TYPE - 36 KA



GW D7 562

ELECTRONIC RELEASE

Code	Microprocessor functions	Rated current	Type of release	Pack Carton
No. of poles: 3P				
GW D7 534	I	400 A	SEP/1	1
GW D7 540	I	630 A	SEP/1	1
GW D7 532	LS / I	400 A	SEP/1	1
GW D7 539	LS / I	630 A	SEP/1	1
GW D7 536	LS I	400 A	SEP/2	1
GW D7 541	LS I	630 A	SEP/2	1
GW D7 538	LS IG	400 A	SEP/2	1
GW D7 542	LS IG	630 A	SEP/2	1
No. of poles: 4P				
GW D7 554	I	400 A	SEP/1	1
GW D7 560	I	630 A	SEP/1	1
GW D7 552	LS / I	400 A	SEP/1	1
GW D7 559	LS / I	630 A	SEP/1	1
GW D7 556	LS I	400 A	SEP/2	1
GW D7 561	LS I	630 A	SEP/2	1
GW D7 558	LS IG	400 A	SEP/2	1
GW D7 562	LS IG	630 A	SEP/2	1

ACCESSORIES SUPPLIED: supplied with front terminals (F).

MTXE 630 - MCCB'S WITH ELECTRONIC RELEASE - S TYPE - 50 KA



GW D7 602

ELECTRONIC RELEASE

Code	Microprocessor functions	Rated current	Type of release	Pack Carton
No. of poles: 3P				
GW D7 574	I	400 A	SEP/1	1
GW D7 580	I	630 A	SEP/1	1
GW D7 572	LS / I	400 A	SEP/1	1
GW D7 579	LS / I	630 A	SEP/1	1
GW D7 576	LS I	400 A	SEP/2	1
GW D7 581	LS I	630 A	SEP/2	1
GW D7 578	LS IG	400 A	SEP/2	1
GW D7 582	LS IG	630 A	SEP/2	1
No. of poles: 4P				
GW D7 594	I	400 A	SEP/1	1
GW D7 600	I	630 A	SEP/1	1
GW D7 592	LS / I	400 A	SEP/1	1
GW D7 599	LS / I	630 A	SEP/1	1
GW D7 596	LS I	400 A	SEP/2	1
GW D7 601	LS I	630 A	SEP/2	1
GW D7 598	LS IG	400 A	SEP/2	1
GW D7 602	LS IG	630 A	SEP/2	1

ACCESSORIES SUPPLIED: supplied with front terminals (F).

MTXE 630 - MCCB'S WITH ELECTRONIC RELEASE - H TYPE - 70 KA



GW D7 642

ELECTRONIC RELEASE

Code	Microprocessor functions	Rated current	Type of release	Pack Carton
No. of poles: 3P				
GW D7 614	I	400 A	SEP/1	1
GW D7 620	I	630 A	SEP/1	1
GW D7 612	L S / I	400 A	SEP/1	1
GW D7 619	L S / I	630 A	SEP/1	1
GW D7 616	L S I	400 A	SEP/2	1
GW D7 621	L S I	630 A	SEP/2	1
GW D7 618	L S I G	400 A	SEP/2	1
GW D7 622	L S I G	630 A	SEP/2	1
No. of poles: 4P				
GW D7 634	I	400 A	SEP/1	1
GW D7 640	I	630 A	SEP/1	1
GW D7 632	L S / I	400 A	SEP/1	1
GW D7 639	L S / I	630 A	SEP/1	1
GW D7 636	L S I	400 A	SEP/2	1
GW D7 641	L S I	630 A	SEP/2	1
GW D7 638	L S I G	400 A	SEP/2	1
GW D7 642	L S I G	630 A	SEP/2	1

ACCESSORIES SUPPLIED: supplied with front terminals (F).

MTXE 630 - MCCB'S WITH ELECTRONIC RELEASE - L TYPE - 120 KA



GW D7 682

ELECTRONIC RELEASE

Code	Microprocessor functions	Rated current	Type of release	Pack Carton
No. of poles: 3P				
GW D7 654	I	400 A	SEP/1	1
GW D7 660	I	630 A	SEP/1	1
GW D7 652	L S / I	400 A	SEP/1	1
GW D7 659	L S / I	630 A	SEP/1	1
GW D7 656	L S I	400 A	SEP/2	1
GW D7 661	L S I	630 A	SEP/2	1
GW D7 658	L S I G	400 A	SEP/2	1
GW D7 662	L S I G	630 A	SEP/2	1
No. of poles: 4P				
GW D7 674	I	400 A	SEP/1	1
GW D7 680	I	630 A	SEP/1	1
GW D7 672	L S / I	400 A	SEP/1	1
GW D7 679	L S / I	630 A	SEP/1	1
GW D7 676	L S I	400 A	SEP/2	1
GW D7 681	L S I	630 A	SEP/2	1
GW D7 678	L S I G	400 A	SEP/2	1
GW D7 682	L S I G	630 A	SEP/2	1

ACCESSORIES SUPPLIED: supplied with front terminals (F).

MTX 1000 / MTXE 1000 - MCCB'S UP TO 1000 A

MTX 1000 - MCCB'S - N TYPE - 36 KA



GW D7 707

TM2 RELEASE (IM=5-10IN)

Code	Rated current	Pack Carton
No. of poles: 3P		
GW D7 701	630 A	1
GW D7 702	800 A	1
No. of poles: 4P		
GW D7 706	630 A	1
GW D7 707	800 A	1

ACCESSORIES SUPPLIED: supplied with front terminals (F).

MTX 1000 - MCCB'S - S TYPE - 50 KA



GW D7 717

TM2 RELEASE (IM=5-10IN)

Code	Rated current	Pack Carton
No. of poles: 3P		
GW D7 710	630 A	1
GW D7 711	800 A	1
No. of poles: 4P		
GW D7 716	630 A	1
GW D7 717	800 A	1

ACCESSORIES SUPPLIED: supplied with front terminals (F).

MTX 1000 - MCCB'S - H TYPE - 70 KA



GW D7 727

TM2 RELEASE (IM=5-10IN)

Code	Rated current	Pack Carton
No. of poles: 3P		
GW D7 721	630 A	1
GW D7 722	800 A	1
No. of poles: 4P		
GW D7 726	630 A	1
GW D7 727	800 A	1

ACCESSORIES SUPPLIED: supplied with front terminals (F).

MTXE 1000 - MCCB'S WITH ELECTRONIC RELEASE - N TYPE - 36 KA



GW D7 762

ELECTRONIC RELEASE

Code	Microprocessor functions	Rated current	Type of release	Pack Carton
No. of poles: 3P				
GW D7 732	I	630 A	SEP/1	1
GW D7 736	I	800 A	SEP/1	1
GW D7 740	I	1000 A	SEP/1	1
GW D7 731	L S / I	630 A	SEP/1	1
GW D7 735	L S / I	800 A	SEP/1	1
GW D7 739	L S / I	1000 A	SEP/1	1
GW D7 733	L S I	630 A	SEP/2	1
GW D7 737	L S I	800 A	SEP/2	1
GW D7 741	L S I	1000 A	SEP/2	1
GW D7 734	L S I G	630 A	SEP/2	1
GW D7 738	L S I G	800 A	SEP/2	1
GW D7 742	L S I G	1000 A	SEP/2	1
No. of poles: 4P				
GW D7 752	I	630 A	SEP/1	1
GW D7 756	I	800 A	SEP/1	1
GW D7 760	I	1000 A	SEP/1	1
GW D7 751	L S / I	630 A	SEP/1	1
GW D7 755	L S / I	800 A	SEP/1	1
GW D7 759	L S / I	1000 A	SEP/1	1
GW D7 753	L S I	630 A	SEP/2	1
GW D7 757	L S I	800 A	SEP/2	1
GW D7 761	L S I	1000 A	SEP/2	1
GW D7 754	L S I G	630 A	SEP/2	1
GW D7 758	L S I G	800 A	SEP/2	1
GW D7 762	L S I G	1000 A	SEP/2	1

ACCESSORIES SUPPLIED: supplied with front terminals (F) for versions up to 800 A. Supplied with extended front terminals (EF) for versions of 1000 A.

MTXE 1000 - MCCB'S WITH ELECTRONIC RELEASE - S TYPE - 50 KA



GW D7 802

ELECTRONIC RELEASE

Code	Microprocessor functions	Rated current	Type of release	Pack Carton
No. of poles: 3P				
GW D7 772	I	630 A	SEP/1	1
GW D7 776	I	800 A	SEP/1	1
GW D7 780	I	1000 A	SEP/1	1
GW D7 771	L S / I	630 A	SEP/1	1
GW D7 775	L S / I	800 A	SEP/1	1
GW D7 779	L S / I	1000 A	SEP/1	1
GW D7 773	L S I	630 A	SEP/2	1
GW D7 777	L S I	800 A	SEP/2	1
GW D7 781	L S I	1000 A	SEP/2	1
GW D7 774	L S I G	630 A	SEP/2	1
GW D7 778	L S I G	800 A	SEP/2	1
GW D7 782	L S I G	1000 A	SEP/2	1
No. of poles: 4P				
GW D7 792	I	630 A	SEP/1	1
GW D7 796	I	800 A	SEP/1	1
GW D7 800	I	1000 A	SEP/1	1
GW D7 791	L S / I	630 A	SEP/1	1
GW D7 795	L S / I	800 A	SEP/1	1
GW D7 799	L S / I	1000 A	SEP/1	1
GW D7 793	L S I	630 A	SEP/2	1
GW D7 797	L S I	800 A	SEP/2	1
GW D7 801	L S I	1000 A	SEP/2	1
GW D7 794	L S I G	630 A	SEP/2	1
GW D7 798	L S I G	800 A	SEP/2	1
GW D7 802	L S I G	1000 A	SEP/2	1

ACCESSORIES SUPPLIED: supplied with front terminals (F) for versions up to 800 A. Supplied with extended front terminals (EF) for versions of 1000 A.

MTXE 1000 - MCCB'S WITH ELECTRONIC RELEASE - H TYPE - 70 KA



GW D7 842

ELECTRONIC RELEASE

Code	Microprocessor functions	Rated current	Type of release	Pack Carton
No. of poles: 3P				
GW D7 812	I	630 A	SEP/1	1
GW D7 816	I	800 A	SEP/1	1
GW D7 820	I	1000 A	SEP/1	1
GW D7 811	LS / I	630 A	SEP/1	1
GW D7 815	LS / I	800 A	SEP/1	1
GW D7 819	LS / I	1000 A	SEP/1	1
GW D7 813	LS I	630 A	SEP/2	1
GW D7 817	LS I	800 A	SEP/2	1
GW D7 821	LS I	1000 A	SEP/2	1
GW D7 814	LS IG	630 A	SEP/2	1
GW D7 818	LS IG	800 A	SEP/2	1
GW D7 822	LS IG	1000 A	SEP/2	1
No. of poles: 4P				
GW D7 832	I	630 A	SEP/1	1
GW D7 836	I	800 A	SEP/1	1
GW D7 840	I	1000 A	SEP/1	1
GW D7 831	LS / I	630 A	SEP/1	1
GW D7 835	LS / I	800 A	SEP/1	1
GW D7 839	LS / I	1000 A	SEP/1	1
GW D7 833	LS I	630 A	SEP/2	1
GW D7 837	LS I	800 A	SEP/2	1
GW D7 841	LS I	1000 A	SEP/2	1
GW D7 834	LS IG	630 A	SEP/2	1
GW D7 838	LS IG	800 A	SEP/2	1
GW D7 842	LS IG	1000 A	SEP/2	1

ACCESSORIES SUPPLIED: supplied with front terminals (F) for versions up to 800 A. Supplied with extended front terminals (EF) for versions of 1000 A.

MTXE 1000 - MCCB'S WITH ELECTRONIC RELEASE - L TYPE - 100 KA



GW D7 882

ELECTRONIC RELEASE

Code	Microprocessor functions	Rated current	Type of release	Pack Carton
No. of poles: 3P				
GW D7 852	I	630 A	SEP/1	1
GW D7 856	I	800 A	SEP/1	1
GW D7 860	I	1000 A	SEP/1	1
GW D7 851	LS / I	630 A	SEP/1	1
GW D7 855	LS / I	800 A	SEP/1	1
GW D7 859	LS / I	1000 A	SEP/1	1
GW D7 853	LS I	630 A	SEP/2	1
GW D7 857	LS I	800 A	SEP/2	1
GW D7 861	LS I	1000 A	SEP/2	1
GW D7 854	LS IG	630 A	SEP/2	1
GW D7 858	LS IG	800 A	SEP/2	1
GW D7 862	LS IG	1000 A	SEP/2	1
No. of poles: 4P				
GW D7 872	I	630 A	SEP/1	1
GW D7 876	I	800 A	SEP/1	1
GW D7 880	I	1000 A	SEP/1	1
GW D7 871	LS / I	630 A	SEP/1	1
GW D7 875	LS / I	800 A	SEP/1	1
GW D7 879	LS / I	1000 A	SEP/1	1
GW D7 873	LS I	630 A	SEP/2	1
GW D7 877	LS I	800 A	SEP/2	1
GW D7 881	LS I	1000 A	SEP/2	1
GW D7 874	LS IG	630 A	SEP/2	1
GW D7 878	LS IG	800 A	SEP/2	1
GW D7 882	LS IG	1000 A	SEP/2	1

ACCESSORIES SUPPLIED: supplied with front terminals (F) for versions up to 800 A. Supplied with extended front terminals (EF) for versions of 1000 A.

MTSE 1600 - MCCB'S UP TO 1600 A

MTSE 1600 - MCCB'S WITH ELECTRONIC RELEASE - S TYPE - 50 KA



GW 97 623

ELECTRONIC RELEASE

Code	Microprocessor functions	Rated current	Type of release	Pack Carton
No. of poles: 3P				
GW 97 601	I	1250 A	SEP/A	1
GW 97 602	I	1600 A	SEP/A	1
GW 97 604	L I	1250 A	SEP/A	1
GW 97 605	L I	1600 A	SEP/A	1
GW 97 613	L S I	1250 A	SEP/B	1
GW 97 614	L S I	1600 A	SEP/B	1
GW 97 616	L S I G	1250 A	SEP/B	1
GW 97 617	L S I G	1600 A	SEP/B	1
No. of poles: 4P				
GW 97 607	I	1250 A	SEP/A	1
GW 97 608	I	1600 A	SEP/A	1
GW 97 610	L I	1250 A	SEP/A	1
GW 97 611	L I	1600 A	SEP/A	1
GW 97 619	L S I	1250 A	SEP/B	1
GW 97 620	L S I	1600 A	SEP/B	1
GW 97 622	L S I G	1250 A	SEP/B	1
GW 97 623	L S I G	1600 A	SEP/B	1

ACCESSORIES SUPPLIED: supplied with front terminals (F).

MTSE 1600 - MCCB'S WITH ELECTRONIC RELEASE - H TYPE - 65 KA



GW 97 647

ELECTRONIC RELEASE

Code	Microprocessor functions	Rated current	Type of release	Pack Carton
No. of poles: 3P				
GW 97 625	I	1250 A	SEP/A	1
GW 97 626	I	1600 A	SEP/A	1
GW 97 628	L I	1250 A	SEP/A	1
GW 97 629	L I	1600 A	SEP/A	1
GW 97 637	L S I	1250 A	SEP/B	1
GW 97 638	L S I	1600 A	SEP/B	1
GW 97 640	L S I G	1250 A	SEP/B	1
GW 97 641	L S I G	1600 A	SEP/B	1
No. of poles: 4P				
GW 97 631	I	1250 A	SEP/A	1
GW 97 632	I	1600 A	SEP/A	1
GW 97 634	L I	1250 A	SEP/A	1
GW 97 635	L I	1600 A	SEP/A	1
GW 97 643	L S I	1250 A	SEP/B	1
GW 97 644	L S I	1600 A	SEP/B	1
GW 97 646	L S I G	1250 A	SEP/B	1
GW 97 647	L S I G	1600 A	SEP/B	1

ACCESSORIES SUPPLIED: supplied with front terminals (F).

MTSE 1600 - MCCB'S WITH ELECTRONIC RELEASE - L TYPE - 100 KA



GW 97 671

ELECTRONIC RELEASE

Code	Microprocessor functions	Rated current	Type of release	Pack Carton
No. of poles: 3P				
GW 97 649	I	1250 A	SEP/A	1
GW 97 650	I	1600 A	SEP/A	1
GW 97 652	L I	1250 A	SEP/A	1
GW 97 653	L I	1600 A	SEP/A	1
GW 97 661	L S I	1250 A	SEP/B	1
GW 97 662	L S I	1600 A	SEP/B	1
GW 97 664	L S I G	1250 A	SEP/B	1
GW 97 665	L S I G	1600 A	SEP/B	1
No. of poles: 4P				
GW 97 655	I	1250 A	SEP/A	1
GW 97 656	I	1600 A	SEP/A	1
GW 97 658	L I	1250 A	SEP/A	1
GW 97 659	L I	1600 A	SEP/A	1
GW 97 667	L S I	1250 A	SEP/B	1
GW 97 668	L S I	1600 A	SEP/B	1
GW 97 670	L S I G	1250 A	SEP/B	1
GW 97 671	L S I G	1600 A	SEP/B	1

ACCESSORIES SUPPLIED: supplied with front terminals (F).

MTXM - SWITCH-DISCONNECTORS UP TO 1000 A

MTXM 160C - SWITCH DISCONNECTORS



GW D7 902

SWITCH DISCONNECTORS

Code	Rated current	Pack Carton
No. of poles: 3P		
GW D7 901	160 A	1
No. of poles: 4P		
GW D7 902	160 A	1

NOTES: for mounting on EN 50022 DIN rail, choose the fixing bracket GWD8261.

The space taken up on the EN 50022 DIN rail is approximately 4 modules for the 3P versions and 6 modules for the 4P versions.

ACCESSORIES SUPPLIED: supplied with front terminals for copper cables (FC Cu).

MTXM 250 - SWITCH DISCONNECTORS



GW D7 904

SWITCH DISCONNECTORS

Code	Rated current	Pack Carton
No. of poles: 3P		
GW D7 903	250 A	1
No. of poles: 4P		
GW D7 904	250 A	1

NOTES: for mounting on EN 50022 DIN rail, choose the fixing bracket GWD8262.

The space taken up on the EN 50022 DIN rail is approximately 6 modules for the 3P versions and 8 modules for the 4P versions.

ACCESSORIES SUPPLIED: supplied with front terminals (F).

MTXM 320 - SWITCH DISCONNECTORS



GW D7 906

SWITCH DISCONNECTORS

Code	Rated current	Pack Carton
No. of poles: 3P		
GW D7 905	320 A	1
No. of poles: 4P		
GW D7 906	320 A	1

ACCESSORIES SUPPLIED: supplied with front terminals (F).

MTXM 400 - SWITCH DISCONNECTORS



GW D7 908

SWITCH DISCONNECTORS

Code	Rated current	Pack Carton
No. of poles: 3P		
GW D7 907	400 A	1
No. of poles: 4P		
GW D7 908	400 A	1

ACCESSORIES SUPPLIED: supplied with front terminals (F).

MTXM 630 - SWITCH DISCONNECTORS



GW D7 910

SWITCH DISCONNECTORS

Code	Rated current	Pack Carton
No. of poles: 3P		
GW D7 909	630 A	1
No. of poles: 4P		
GW D7 910	630 A	1

ACCESSORIES SUPPLIED: supplied with front terminals (F).

MTXM 800 - SWITCH DISCONNECTORS



GW D7 912

SWITCH DISCONNECTORS

Code	Rated current	Pack Carton
No. of poles: 3P		
GW D7 911	800 A	1
No. of poles: 4P		
GW D7 912	800 A	1

ACCESSORIES SUPPLIED: supplied with front terminals (F).

MTXM 1000 - SWITCH DISCONNECTORS



GW D7 914

SWITCH DISCONNECTORS

Code	Rated current	Pack Carton
No. of poles: 3P		
GW D7 913	1000 A	1
No. of poles: 4P		
GW D7 914	1000 A	1

ACCESSORIES SUPPLIED: supplied with extended front terminals (EF).

MTSM - SWITCH DISCONNECTORS UP TO 1600 A

MTSM 1600 - SWITCH DISCONNECTORS



GW 97 719

SWITCH DISCONNECTORS

Code	Rated current	Pack Carton
No. of poles: 3P		
GW 97 715	1250 A	1
GW 97 716	1600 A	1
No. of poles: 4P		
GW 97 718	1250 A	1
GW 97 719	1600 A	1

ACCESSORIES SUPPLIED: supplied with front terminals (F).

BD - ADD-ON RESIDUAL CURRENT DEVICES FOR MTX/M MOULDED-CASE CIRCUIT BREAKERS

BD - ADD-ON RESIDUAL CURRENT DEVICES



GW D8 241

BD - RESIDUAL CURRENT RELEASES - L-SHAPE AND UNDER - 4 POLES

Code	Type	Installation	Tripping	Pack Carton
Suitable for: MTX/M 160c				
GW D8 241	"L" shape - 4P - lowered	For DIN rail only	Adjustable	1
GW D8 242	"L" shape - 4P	Plate/DIN rail	Instantaneous	1
GW D8 243	"L" shape - 4P	Plate/DIN rail	Adjustable	1
Suitable for: MTX/E 160				
GW D8 244	"L" shape - 4P	Plate/DIN rail	Instantaneous	1
GW D8 245	"L" shape - 4P	Plate/DIN rail	Adjustable	1
Suitable for: MTX/M 250				
GW D8 246	"L" shape - 4P	Plate/DIN rail	Instantaneous	1
GW D8 247	"L" shape - 4P	Plate/DIN rail	Adjustable	1
Suitable for: MTX/E/M 320				
GW D8 248	Under - 4P	Plate only	Adjustable	1
Suitable for: MTXM 400-MTX/E/M 630 (500 A)				
GW D8 249	Under - 4P	Plate only	Adjustable	1

ACCESSORIES SUPPLIED: the residual current releases are supplied complete with an opening solenoid (to be housed in the slot of the third pole) with an auxiliary contact to signal when the residual current device trips, and a finishing cover for the cell. The residual current releases for MTX/E 160 and MTX/M 250 are supplied with a semi-kit of front terminals for copper cables.

Apart from GW D8241, the other "L" shape residual current releases are supplied complete with upper and lower terminal covers specifically for the residual current device.

NOTES: with the residual current releases for MTX/M 160c, a specific kit of horizontal flat rear terminals (not supplied with the release) can be assembled downstream with the front terminals for copper wires already fitted on the circuit breaker.

For residual current releases with adjustable tripping, you can use the opening solenoid (supplied) to open the circuit breaker remotely without the need for another release solenoid.

To assemble the residual current releases on the EN 50022 DIN rail, use the relative fixing brackets.

The space occupied by the "L"-shape add-on residual current devices on the EN 50022 DIN rail is roughly 2 modules (except for the GW D8241, which occupies roughly 3 modules).

PLUG-IN VERSIONS

MTX/E 160

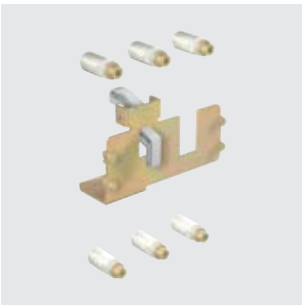


GW D8 001

FIXED PARTS FOR PLUG-IN VERSIONS

Code	No. of poles	Pack Carton
Suitable for: Front terminals - (F)		
GW D8 001	3P	1
GW D8 002	4P	1

NOTE: to obtain the plug-in versions, associate the fixed part with the relative conversion kit.



GW D8 051

CONVERSION KIT FROM FIXED INTO MOVING PART OF PLUG-IN

Code	No. of poles	Pack Carton
GW D8 051	3P	1
GW D8 052	4P	1

NOTE: to obtain the plug-in versions, associate the relative conversion kit with the fixed part.

MTX/M 250

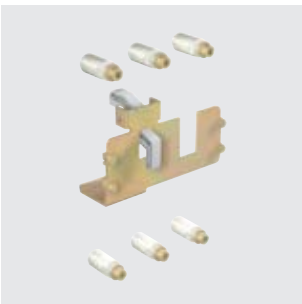


GW D8 003

FIXED PARTS FOR PLUG-IN VERSIONS

Code	No. of poles	Pack Carton
Suitable for: Front terminals - (F)		
GW D8 003	3P	1
GW D8 004	4P	1

NOTE: to obtain the plug-in versions, associate the fixed part with the relative conversion kit.



GW D8 053

CONVERSION KIT FROM FIXED INTO MOVING PART OF PLUG-IN

Code	No. of poles	Pack Carton
GW D8 053	3P	1
GW D8 054	4P	1

NOTE: to obtain the plug-in versions, associate the relative conversion kit with the fixed part.

MTX/E/M 320

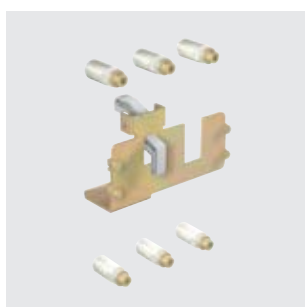


GW D8 007

FIXED PARTS FOR PLUG-IN VERSIONS

Code	No. of poles	Pack Carton
Suitable for: Extended front terminals - (EF)		
GW D8 007	3P	1
GW D8 008	4P	1
Suitable for: Vertical flat rear terminals - (VR)		
GW D8 015	3P	1
GW D8 016	4P	1
Suitable for: Horizontal flat rear terminals - (HR)		
GW D8 023	3P	1
GW D8 024	4P	1

NOTE: to obtain the plug-in versions, associate the fixed part with the relative conversion kit.



GW D8 055

CONVERSION KIT FROM FIXED INTO MOVING PART OF PLUG-IN

Code	No. of poles	Pack Carton
GW D8 055	3P	1
GW D8 056	4P	1

NOTE: to obtain the plug-in versions, associate the relative conversion kit with the fixed part.

MTXM 400 - MTX/E 630 (400 A)

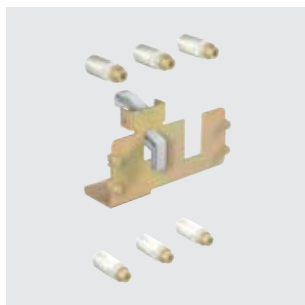


GW D8 009

FIXED PARTS FOR PLUG-IN VERSIONS

Code	No. of poles	Pack Carton
Suitable for: Extended front terminals - (EF)		
GW D8 009	3P	1
GW D8 010	4P	1
Suitable for: Vertical flat rear terminals - (VR)		
GW D8 017	3P	1
GW D8 018	4P	1
Suitable for: Horizontal flat rear terminals - (HR)		
GW D8 025	3P	1
GW D8 026	4P	1

NOTE: to obtain the plug-in versions, associate the fixed part with the relative conversion kit.



GW D8 057

CONVERSION KIT FROM FIXED INTO MOVING PART OF PLUG-IN

Code	No. of poles	Pack Carton
GW D8 057	3P	1
GW D8 058	4P	1

NOTE: to obtain the plug-in versions, associate the relative conversion kit with the fixed part.

MTX/E/M 630 (500/630 A)

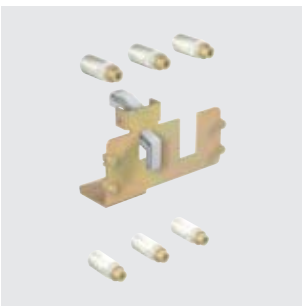


GW D8 011

FIXED PARTS FOR PLUG-IN VERSIONS

Code	No. of poles	Pack Carton
Suitable for: Extended front terminals - (EF)		
GW D8 011	3P	1
GW D8 012	4P	1
Suitable for: Vertical flat rear terminals - (VR)		
GW D8 019	3P	1
GW D8 020	4P	1
Suitable for: Horizontal flat rear terminals - (HR)		
GW D8 027	3P	1
GW D8 028	4P	1

NOTE: to obtain the plug-in versions, associate the fixed part with the relative conversion kit.



GW D8 059

CONVERSION KIT FROM FIXED INTO MOVING PART OF PLUG-IN

Code	No. of poles	Pack Carton
GW D8 059	3P	1
GW D8 060	4P	1

NOTE: to obtain the plug-in versions, associate the relative conversion kit with the fixed part.

WITHDRAWABLE VERSIONS

MTX/E/M 320

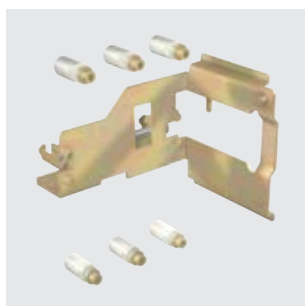


GW D8 007

FIXED PARTS FOR PLUG-IN VERSIONS

Code	No. of poles	Pack Carton
Suitable for: Extended front terminals - (EF)		
GW D8 007	3P	1
GW D8 008	4P	1
Suitable for: Vertical flat rear terminals - (VR)		
GW D8 015	3P	1
GW D8 016	4P	1
Suitable for: Horizontal flat rear terminals - (HR)		
GW D8 023	3P	1
GW D8 024	4P	1

NOTE: to obtain the withdrawable versions, associate the fixed part with both the relative conversion kits.



GW D8 066

CONVERSION KIT FROM FIXED INTO MOVING PART OF WITHDRAWABLE

Code	No. of poles	Pack Carton
GW D8 066	3P	1
GW D8 067	4P	1

NOTE: to obtain the withdrawable versions, associate the relative conversion kit with the fixed part.



GW D8 079

CONVERSION KIT FROM FIXED PART OF PLUG-IN INTO FIXED PART OF WITHDRAWABLE

Code	No. of poles	Pack Carton
GW D8 079	3P - 4P	1

NOTE: to obtain the withdrawable versions, associate the relative conversion kit with the fixed part.

MTXM 400 - MTX/E 630 (400 A)

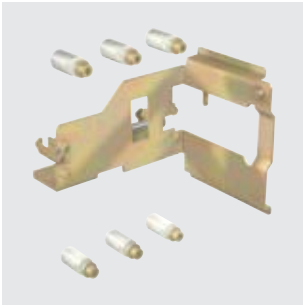


GW D8 009

FIXED PARTS FOR PLUG-IN VERSIONS

Code	No. of poles	Pack Carton
Suitable for: Extended front terminals - (EF)		
GW D8 009	3P	1
GW D8 010	4P	1
Suitable for: Vertical flat rear terminals - (VR)		
GW D8 017	3P	1
GW D8 018	4P	1
Suitable for: Horizontal flat rear terminals - (HR)		
GW D8 025	3P	1
GW D8 026	4P	1

NOTE: to obtain the withdrawable versions, associate the fixed part with both the relative conversion kits.



GW D8 068

CONVERSION KIT FROM FIXED INTO MOVING PART OF WITHDRAWABLE

Code	No. of poles	Pack Carton
GW D8 068	3P	1
GW D8 069	4P	1

NOTE: to obtain the withdrawable versions, associate the relative conversion kit with the fixed part.



GW D8 080

CONVERSION KIT FROM FIXED PART OF PLUG-IN INTO FIXED PART OF WITHDRAWABLE

Code	No. of poles	Pack Carton
GW D8 080	3P - 4P	1

NOTE: to obtain the withdrawable versions, associate the relative conversion kit with the fixed part.

MTX/E 630 (500/630 A)

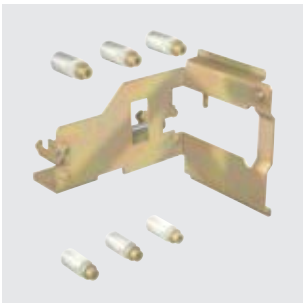


GW D8 011

FIXED PARTS FOR PLUG-IN VERSIONS

Code	No. of poles	Pack Carton
Suitable for: Extended front terminals - (EF)		
GW D8 011	3P	1
GW D8 012	4P	1
Suitable for: Vertical flat rear terminals - (VR)		
GW D8 019	3P	1
GW D8 020	4P	1
Suitable for: Horizontal flat rear terminals - (HR)		
GW D8 027	3P	1
GW D8 028	4P	1

NOTE: to obtain the withdrawable versions, associate the fixed part with both the relative conversion kits.



GW D8 070

CONVERSION KIT FROM FIXED INTO MOVING PART OF WITHDRAWABLE

Code	No. of poles	Pack Carton
GW D8 070	3P	1
GW D8 071	4P	1

NOTE: to obtain the withdrawable versions, associate the relative conversion kit with the fixed part.



GW D8 080

CONVERSION KIT FROM FIXED PART OF PLUG-IN INTO FIXED PART OF WITHDRAWABLE

Code	No. of poles	Pack Carton
GW D8 080	3P - 4P	1

NOTE: to obtain the withdrawable versions, associate the relative conversion kit with the fixed part.

MTXM 800 - MTX/E/M 1000 (800 A)



GW D8 031

FIXED PARTS FOR EXTRACTABLE VERSIONS

Code	No. of poles	Pack Carton
Suitable for: Extended front terminals - (EF)		
GW D8 031	3P	1
GW D8 032	4P	1
Suitable for: Vertical flat rear terminals - (VR)		
GW D8 038	3P	1
GW D8 039	4P	1
Suitable for: Horizontal flat rear terminals - (HR)		
GW D8 045	3P	1
GW D8 046	4P	1

NOTE: to obtain the withdrawable versions, associate the fixed part with the relative conversion kit.



GW D8 072

CONVERSION KIT FROM FIXED INTO MOVING PART OF WITHDRAWABLE

Code	No. of poles	Pack Carton
GW D8 072	3P	1
GW D8 073	4P	1

NOTE: to obtain the withdrawable versions, associate the relative conversion kit with the fixed part.

MTSE/M 1600



GW 98 221

FIXED PARTS FOR WITHDRAWABLE VERSIONS

Code	No. of poles	Pack Carton
Suitable for: Extended front terminals - (EF)		
GW 98 221	3P	1
GW 98 222	4P	1
Suitable for: Vertical flat rear terminals - (VR)		
GW 98 223	3P	1
GW 98 224	4P	1
Suitable for: Horizontal flat rear terminals - (HR)		
GW 98 225	3P	1
GW 98 226	4P	1

NOTE: to obtain the withdrawable versions, associate the fixed part with the relative conversion kit.



GW 98 227

CONVERSION KIT FROM FIXED INTO MOVING PART OF WITHDRAWABLE

Code	No. of poles	Pack Carton
GW 98 227	3P	1
GW 98 228	4P	1

NOTE: to obtain the withdrawable versions, associate the relative conversion kit with the fixed part.

ACCESSORIES FOR MCCB'S

CONNECTORS FOR ACCESSORIES



GW D8 133

CONNECTORS FOR ACCESSORIES FOR PLUG-IN AND WITHDRAWABLE VERSIONS

Code	Type of accessory	Type of accessory	Number of three-way switches	Number of pin	Pack Carton
Suitable for: MTX/E/M 160/c-250					
GW D8 133	Opening releases			3	1
GW D8 134	Frontal motor operating	Auxiliary contacts	2	6	1
GW D8 135	Auxiliary contacts		4	12	1
Suitable for: MTX/E/M 320-1000					
GW D8 164	Opening releases			5	1
GW D8 165	Auxiliary contacts		2	6	1
GW D8 166	Motor operating	Opening releases		10	1
GW D8 167	Auxiliary contacts		4	12	1
Suitable for: MTSE/M 1600					
GW 98 296	Opening releases				1
GW 98 311	Auxiliary contacts		2		1
GW 98 336	Motor operating	Opening releases			1

NOTE: for the MTXE 160 auxiliary contacts (3 three-way switches), it is necessary to use both the GWD8133 and GWD8134 connector.

The GWD8134 is always supplied with the frontal motor operating.

In the case of installation of both motor operating and auxiliary contacts it is necessary to use the GWD8166 connectors for MTX/E/M 320-1000 or GW98336 connector for MTSE/M 1600.

CONNECTORS FOR MTSE/M 1600 ACCESSORIES

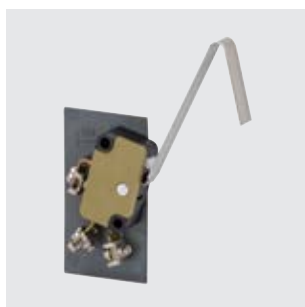


GW 98 310

CONNECTORS FOR MTSE/M 1600 ACCESSORIES

Code	Description	For MCCB	Length (m)	Pack Carton
Suitable for: MTSE/M 1600				
GW 98 295	For opening release	Fixed	2	1
GW 98 310	For auxiliary contacts	Fixed	2	1
GW 98 335	For motor operating and auxiliary contact	Fixed	2	1

ACCESSORIES FOR FIXED PARTS



GW 98 481

POSITION CONTACTS FOR FIXED PART OF PLUG-IN OR WITHDRAWABLE VERSIONS

Code	Type of indicator	Type of signal	Pack Carton
Suitable for: MTX/E/M 160-250			
GW D8 158	Switch in		1
Suitable for: MTX/E/M 320-1000			
GW D8 159	Switch in		1
GW D8 160	Switch out		1
Suitable for: MTSE/M 1600			
GW 98 481	Switch out		1
GW 98 482	Switch out	Digital signal	1
GW 98 483	Switch in		1
GW 98 484	Switch in	Digital signal	1



GW 98 485

KEY LOCK FOR FIXED PART OF WITHDRAWABLE VERSIONS

Code	Type	Key	Pack Carton
Suitable for: MTX/E/M 320-1000			
GW D8 086	Key lock		1
GW D8 087	Key lock	RONIS	1
Suitable for: MTSE/M 1600			
GW 98 485	Key lock	Different for each circuit breaker	1
GW 98 486	Key lock	Same for groups of circuit breakers	1
GW 98 487	Padlock lock		1
GW 98 367	Key lock	RONIS	1

GW98485: always supplied with different keys.

GW98486: always supplied with the same key.

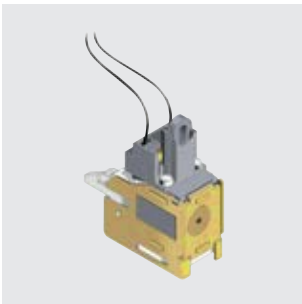


GW D8 091

INSULATION TERMINAL COVERS FOR FIXED PARTS

Code	No. of poles	Pack Carton
Suitable for: MTX/E/M 320		
GW D8 091	3P	1
GW D8 092	4P	1
Suitable for: MTXM 400-MTX/E/M 630		
GW D8 093	3P	1
GW D8 094	4P	1

OPENING RELEASES



GW D8 101

SHUNT TRIP RELEASES

Code	Supply voltage	Pack Carton
Suitable for: MTX/E/M 160/c-250		
GW D8 101	12 V dc	1
GW D8 102	24-30 V ac/dc	1
GW D8 103	48-60 V ac/dc	1
GW D8 104	127 V ac - 125V dc	1
GW D8 105	240 V ac - 250 V dc	1
GW D8 106	380-440 V ac	1
Suitable for: MTX/E/M 320-1000		
GW D8 107	24-30 V ac/dc	1
GW D8 108	48-60 V ac/dc	1
GW D8 109	127 V ac - 125V dc	1
GW D8 110	240 V ac - 250 V dc	1
GW D8 111	380-440 V ac	1
Suitable for: MTSE/M 1600		
GW 98 260	24 V ac/dc	1
GW 98 261	48 V ac/dc	1
GW 98 263	120 V ac - 125 V dc	1
GW 98 264	240 V ac - 250 V dc	1
GW 98 265	380-400 V ac	1

NOTE: the releases of the MCCB's MTSE/M 1600 must be completed with the relative connectors.



GW D8 117

UNDER VOLTAGE RELEASES

Code	Supply voltage	Pack Carton
Suitable for: MTX/E/M 160/c-250		
GW D8 117	24-30 V ac/dc	1
GW D8 118	48 V ac/dc	1
GW D8 119	127 V ac - 125V dc	1
GW D8 120	240 V ac - 250 V dc	1
GW D8 121	380-400 V ac	1
Suitable for: MTX/E/M 320-1000		
GW D8 122	24-30 V ac/dc	1
GW D8 123	48 V ac/dc	1
GW D8 124	127 V ac - 125V dc	1
GW D8 125	240 V ac - 250 V dc	1
GW D8 126	380-400 V ac	1
Suitable for: MTSE/M 1600		
GW 98 281	24 V ac	1
GW 98 282	48 V ac	1
GW 98 284	110-127 V ac	1
GW 98 285	220-250 V ac	1
GW 98 286	380-440 V ac	1
GW 98 288	24 V dc	1
GW 98 289	48 V dc	1
GW 98 291	110-125 V dc	1
GW 98 292	220-250 V dc	1

NOTE: the releases of the MCCB's MTSE/M 1600 must be completed with the relative connectors.



GW 98 268

ELECTRONIC DELAY DEVICE FOR UNDER VOLTAGE RELEASES

Code	Suitable for	Supply voltage	Pack Carton
GW D8 136	MTX/E/M 160/c-1000	220-250 V ac/dc	1
GW 98 268	MTSE/M 1600	110-220 V ac	1

NOTE: the GWD8136 can only be used with the under voltage release with power supply voltage 240 V ac - 250 V dc.
The GW98268 is already equipped with an under voltage release

AUXILIARY CONTACTS



GW D8 141

AUXILIARY CONTACTS

Code	No. CO contact	No. CO fault indic. switch	Contact rating in AC (A)	Contact rating in DC (A)	Pack Carton
Suitable for: MTX/M 160/c-250					
GW D8 141	3	1	6(125 V)-5(250 V)	0.3(125 V)-0.15(250 V)	1
GW D8 142	1	1	6(125 V)-5(250 V)	0.3(125 V)-0.15(250 V)	1
Suitable for: MTXE 160					
GW D8 151	1	2	6(125 V)-5(250 V)	0.3(125 V)-0.15(250 V)	1
GW D8 152	2	1	6(125 V)-5(250 V)	0.3(125 V)-0.15(250 V)	1
Suitable for: MTX/E/M 320-1000					
GW D8 143	1	1	6(125 V)-5(250 V)	0.3(125 V)-0.15(250 V)	1
GW D8 144	3	1	6(125 V)-5(250 V)	0.3(125 V)-0.15(250 V)	1
GW D8 145	1	1	12(250 V)-3(400 V)	0.5(125 V)-0.3(250 V)	1
GW D8 146	2	-	12(250 V)-3(400 V)	0.5(125 V)-0.3(250 V)	1
Suitable for: MTSE/M 1600					
GW 98 300	2	-	6(250 V)-3(400 V)	0.3(125 V)-0.15(250 V)	1
GW 98 301	1	1	6(250 V)-3(400 V)	0.3(125 V)-0.15(250 V)	1

NOTE: one of the two CO fault indicator switches of the GWD8151 indicates the tripping of the electronic release.
The auxiliary contacts of the MCCB's MTSE/M 1600 must be completed with the relative connectors.



GW 98 305

AUXILIARY CONTACTS FOR DIGITAL SIGNALS

Code	Type of contacts	Contact type	Pack Carton
Suitable for: MTSE/M 1600			
GW 98 305	2 CO auxiliary contacts		1
GW 98 306	1 CO auxiliary contacts	1 CO fault indicator switch	1
GW 98 307	1NO + 1NC	1 CO fault indicator switch	1

NOTE: the auxiliary contacts of the MCCB's MTSE/M 1600 must be completed with the relative connectors.



GW 98 424

ANTICIPATED CONSENT CONTACTS WITH CONNECTOR

Code	Description	Application	Pack Carton
Suitable for: MTSE/M 1600			
GW 98 424	Contact + connector	For under voltage release	1

MOTOR OPERATING



GW D8 172

SOLENOID MOTOR OPERATING

Code	Supply voltage	Pack Carton
Suitable for: MTX/E/M 160/c-250 - Front mounting		
GW D8 171	110-250 V ac/dc	1
Suitable for: MTX/E/M 160c-160 - Side mounting		
GW D8 172	110-250 V ac/dc	1

NOTE: the motor operating GW D8 172 can only be assembled on a DIN rail EN 50022 choosing the fixing bracket GWD8265.



GW D8 176

ENERGY ACCUMULATION MOTOR OPERATING

Code	Supply voltage	Pack Carton
Suitable for: MTX/E/M 320-630		
GW D8 173	24 V dc	1
GW D8 174	220-250 V ac/dc	1
Suitable for: MTXM 800-MTX/E/M 1000		
GW D8 175	24 V dc	1
GW D8 176	220-250 V ac/dc	1
Suitable for: MTSE/M 1600		
GW 98 326	24 V dc	1
GW 98 331	220-250 V ac/dc	1
GW 98 332	380 V ac	1

NOTE: the motor operating of the MCCB's MTSE/M 1600 must be completed with the relative connectors.

ROTARY CONTROL



GW D8 186

DIRECT ROTARY HANDLE CONTROL

Code	Type	For MCCB	Pack Carton
Suitable for: MTX/E/M 160/c-250			
GW D8 181		Fixed and plug-in	1
GW D8 182	Emergency	Fixed and plug-in	1
Suitable for: MTX/E/M 320-630			
GW D8 183		Fixed and plug-in	1
GW D8 184		Withdrawable	1
Suitable for: MTXM 800-MTX/E/M 1000			
GW D8 185		Fixed	1
GW D8 186		Withdrawable	1
Suitable for: MTSE/M 1600			
GW 98 344		Fixed	1
GW 98 345		Withdrawable	1
GW 98 346	Emergency	Fixed and withdrawable	1



GW 98 354

CONTROL WITH ROTARY SHAFT EXTENDED HANDLE

Code	Type	Distance	For MCCB	Pack Carton
Suitable for: MTX/E/M 160/c-250				
GW D8 187	On door	Adjustable (Lmax=470.5mm)	Fixed and plug-in	1
GW D8 188	Emergency on door	Adjustable (Lmax=470.5mm)	Fixed and plug-in	1
Suitable for: MTX/E/M 320-630				
GW D8 189	On door	Adjustable (Lmax=500 mm)	Fixed and plug-in	1
GW D8 190	Emergency on door	Adjustable (Lmax=500 mm)	Fixed and plug-in	1
GW D8 191	On door	Adjustable (Lmax=500 mm)	Withdrawable	1
GW D8 192	Emergency on door	Adjustable (Lmax=500 mm)	Withdrawable	1
Suitable for: MTXM 800-MTX/E/M 1000				
GW D8 193	On door	Adjustable (Lmax=500 mm)	Fixed	1
GW D8 194	Emergency on door	Adjustable (Lmax=500 mm)	Fixed	1
GW D8 195	On door	Adjustable (Lmax=500 mm)	Withdrawable	1
GW D8 196	Emergency on door	Adjustable (Lmax=500 mm)	Withdrawable	1
Suitable for: MTSE/M 1600				
GW 98 354	On door	Adjustable (Lmax=500 mm)	Fixed	1
GW 98 355	On door	Adjustable (Lmax=500 mm)	Withdrawable	1
GW 98 356	Emergency on door	Adjustable (Lmax=500 mm)	Fixed	1



GW 98 490

IP54 GASKET FOR ROTARY HANDLE CONTROL

Code	Suitable for	Pack Carton
GW D8 197	MTX/E/M 160/c-250	1
GW D8 198	MTX/E 320-1000	1
GW 98 490	MTSE/M 1600	1

MECHANICAL BLOCK AND INTERLOCK



GW D8 223

FRONTAL

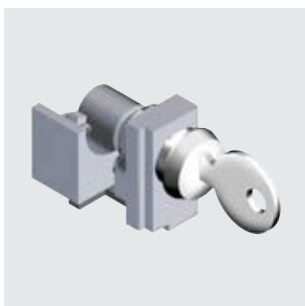
Code	Type	For MCCB	Pack Carton
Suitable for: MTX/E/M 320-630			
GW D8 221	For level control	Fixed and plug-in	1
GW D8 222	For level control	Withdrawable	1
Suitable for: MTXM 800-MTX/E/M 1000			
GW D8 223	For level control	Fixed	1
GW D8 224	For level control	Withdrawable	1
Suitable for: MTSE/M 1600			
GW 98 361	For level control	Fixed	1
GW 98 362	For level control	Withdrawable	1



GW D8 201

PADLOCKS LEVER LOCK

Code	Type	Application	Pack Carton
Suitable for: MTX/E/M 160/c-250			
GW D8 201	Plug-in device	Closing manoeuvre lock	1
GW D8 202	Front plate	Opening/closing manoeuvre lock	1



GW D8 205

RONIS KEY LOCK IN OPEN POSITION

Code	Type	For MCCB	Pack Carton
GW D8 205	Key lock	MTX/M 160c	1
GW D8 206	Key lock	MTX/E 160	1
GW D8 207	Key lock	MTX/M 250	1

NOTE: blocks supplied with identical keys.



GW D8 210

KEY LOCK FOR ROTARY HANDLE

Code	Type	For MCCB	Pack Carton
GW D8 210	Key lock	MTX/E/M 160/c-250	1

NOTE: block supplied with different keys.



GW D8 213

KEY LOCK FOR FRONT AND/OR ROTARY HANDLE

Code	Type	For MCCB	Pack Carton
GW D8 213	Key lock	MTX/E/M 320-630	1
GW D8 214	Key lock	MTXM 800-MTX/E/M 1000	1
GW 98 366	Key lock	MTSE/M 1600	1

NOTE: blocks GWD8213 and GWD8214 are supplied with different keys. Block GW98366 is supplied with identical keys.

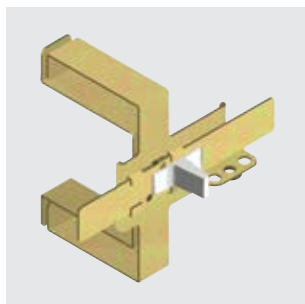


GW 98 364

KEY LOCK FOR MOTOR OPERATING

Code	Type	For MCCB	Characteristics	Pack Carton
GW D8 217	Key lock	MTX/E/M 320-630		1
GW D8 218	Key lock	MTXM 800-MTX/E/M 1000		1
GW 98 364	Key lock	MTSE/M 1600		1
GW 98 365	Key lock	MTSE/M 1600	Against manual control	1

NOTE: block GW98364 is supplied with identical keys. Blocks GW98365, GWD8217 and GWD8218 are supplied with different keys.



GW D8 226

FRONT MECHANICAL INTERLOCK BETWEEN TWO MCCB'S

Code	Suitable for	Pack Carton
GW D8 226	MTX/E/M 160/c-250	1

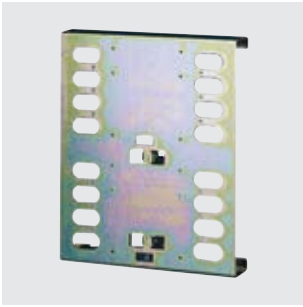


GW D8 230

REAR MECHANICAL INTERLOCK BETWEEN TWO MTX/E/M 320-630 MCCB'S ON PLATE

Code	For MCCB	For MCCB	Characteristics	Pack Carton
GW D8 230			Frame	1
GW D8 231	MTX/E 320 (F/P/W)	MTX/E 320 (F/P/W)	Horizontal	1
GW D8 234	MTX/E 630 400 A (F/P/W)-630 A (F)	MTX/E 630 400 A (F/P/W)-630 A (F)	Horizontal	1
GW D8 235	MTX/E 630 400 A (F/P/W)-630 A (F)	MTX/E 630 (P/W)	Horizontal	1
GW D8 236	MTX/E 630 (P/W)	MTX/E 630 (P/W)	Horizontal	1

NOTE: the mechanical interlock consists of a frame and a specific back mounting for the related MCCB's and the execution type (F=Fixed, P=Plug-in, W=Withdrawable). Also valid for MTXM 320/400/630 in the same executions.



GW 98 380

REAR MECHANICAL INTERLOCK BETWEEN TWO MCCB'S ON PLATE

Code	Suitable for	Installation	Pack Carton
GW D8 237	MTX/M 250	Horizontal	1
GW D8 238	MTXM 800-MTX/E/M 1000	Horizontal	1
GW 98 380	MTSE/M 1600	Horizontal	1



GW D8 239

SEALABLE BLOCKAGE OF THERMAL ADJUSTMENT

Code	Suitable for	Pack Carton
GW D8 239	MTX/E/M 160/c-250	1

BRACKETS FOR FIXING ON DIN RAIL



GW D8 261

BRACKETS FOR FIXING ON DIN RAIL

Code	Type	Characteristics	Pack Carton
Suitable for: MTX/E/M 160/c			
GW D8 261	DIN EN 50022		1
GW D8 263	DIN EN 50022	With "L"-shape add-on RCD	1
GW D8 265	DIN EN 50022	With side motor operating	1
GW D8 266	DIN EN 50022	With lowered add-on RCD	1
Suitable for: MTX/M 250			
GW D8 262	DIN EN 50022		1
GW D8 264	DIN EN 50022	With "L"-shape add-on RCD	1

CONNECTION TERMINALS



GW D8 321

EXTENDED FRONT TERMINALS (EF)

Code	Rated current	No. of elements	Pack Carton
Suitable for: MTX/M 160c			
GW D8 321	160 A	3	1
GW D8 327	160 A	4	1
Suitable for: MTX/E 160			
GW D8 322	160 A	3	1
GW D8 328	160 A	4	1
Suitable for: MTX/M 250			
GW D8 323	250 A	3	1
GW D8 329	250 A	4	1
Suitable for: MTX/E/M 320			
GW D8 324	320 A	3	1
GW D8 330	320 A	4	1
Suitable for: MTXM 400-MTX/E/M 630			
GW D8 325	630 A	3	1
GW D8 331	630 A	4	1
Suitable for: MTXM 800-MTX/E/M 1000			
GW D8 326	1000 A	3	1
GW D8 332	1000 A	4	1
Suitable for: MTSE/M 1600			
GW 98 389	1600 A	3	1
GW 98 390	1600 A	4	1



GW D8 361

FRONT EXTENDED SPREAD TERMINALS (ES)

Code	Type	Rated current	Number of terminals	Pack Carton
Suitable for: MTX/E 160				
GW D8 361		160 A	3	1
GW D8 367		160 A	4	1
Suitable for: MTX/M 250				
GW D8 362		250 A	3	1
GW D8 368		250 A	4	1
Suitable for: MTX/E/M 320				
GW D8 363		320 A	3	1
GW D8 369		320 A	4	1
Suitable for: MTXM 400-MTX/E/M 630				
GW D8 364		630 A	3	1
GW D8 370		630 A	4	1
Suitable for: MTXM 800-MTX/E/M 1000				
GW D8 365	1/2 kit upper	1000 A	3	1
GW D8 366	1/2 kit lower	1000 A	3	1
GW D8 371		1000 A	4	1
Suitable for: MTSE/M 1600				
GW 98 399	1/2 kit upper	1600 A	3	1
GW 98 400	1/2 kit lower	1600 A	3	1
GW 98 401		1600 A	4	1



GW D8 381

FRONT TERMINALS FOR COPPER CABLES (FC CU)

Code	Rated current	Number of terminals	Pack Carton
Suitable for: MTX/E 160			
GW D8 381	160 A	3	1
GW D8 385	160 A	4	1
Suitable for: MTX/M 250			
GW D8 382	250 A	3	1
GW D8 386	250 A	4	1
Suitable for: MTX/E/M 320			
GW D8 383	320 A	3	1
GW D8 387	320 A	4	1
Suitable for: MTXM 400-MTX/E/M 630			
GW D8 384	630 A	3	1
GW D8 388	630 A	4	1



GW D8 341

FRONT TERMINALS FOR COPPER/ALUMINIUM CABLES (FC CU-AL)

Code	Cable section	Rated current	Number of terminals	Pack Carton
Suitable for: MTX/M 160c				
GW D8 341	35-95 mm ²	160 A	3	1
GW D8 349	35-95 mm ²	160 A	4	1
Suitable for: MTX/E 160				
GW D8 342	1-95 mm ²	160 A	3	1
GW D8 350	1-95 mm ²	160 A	4	1
Suitable for: MTX/M 250				
GW D8 343	70-185 mm ²	250 A	3	1
GW D8 351	70-185 mm ²	250 A	4	1
Suitable for: MTX/E/M 320				
GW D8 344	1x185 mm ²	320 A	3	1
GW D8 352	1x185 mm ²	320 A	4	1
Suitable for: MTXM 400-MTX/E/M 630				
GW D8 345	1x240 mm ²	400 A	3	1
GW D8 346	2x240 mm ²	630 A	3	1
GW D8 353	1x240 mm ²	400 A	4	1
GW D8 354	2x240 mm ²	630 A	4	1
Suitable for: MTXM 800-MTX/E/M 1000				
GW D8 347	3x185 mm ²	800 A	3	1
GW D8 348	4x150 mm ²	1000 A	3	1
GW D8 355	3x185 mm ²	800 A	4	1
GW D8 356	4x150 mm ²	1000 A	4	1
Suitable for: MTSE/M 1600				
GW 98 421	4x240 mm ²	1250 A	3	1
GW 98 422	4x240 mm ²	1250 A	4	1



GW D8 391

FRONT MULTI-CABLE TERMINALS (MC)

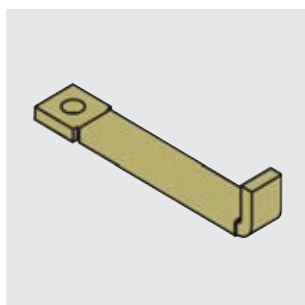
Code	Cable section	Number of terminals	Pack Carton
Suitable for: MTX/E/M 320			
GW D8 391	6x35 mm ²	3	1
GW D8 393	6x35 mm ²	4	1
Suitable for: MTXM 400-MTX/E/M 630			
GW D8 392	6x35 mm ²	3	1
GW D8 394	6x35 mm ²	4	1



GW D8 401

REAR TERMINALS (R)

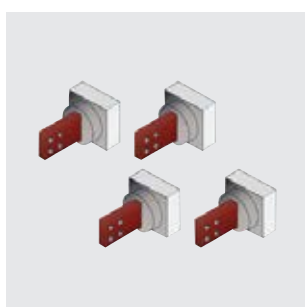
Code	Rated current	Number of terminals	Pack Carton
Suitable for: MTX/E 160			
GW D8 401	160 A	3	1
GW D8 406	160 A	4	1
Suitable for: MTX/M 250			
GW D8 402	250 A	3	1
GW D8 407	250 A	4	1
Suitable for: MTX/E/M 320			
GW D8 403	320 A	3	1
GW D8 408	320 A	4	1
Suitable for: MTXM 400-MTX/E/M 630			
GW D8 404	630 A	3	1
GW D8 409	630 A	4	1
Suitable for: MTXM 800-MTX/E/M 1000			
GW D8 405	1000 A	3	1
GW D8 410	1000 A	4	1



GW D8 416

HORIZONTAL FLAT REAR TERMINALS (HR)

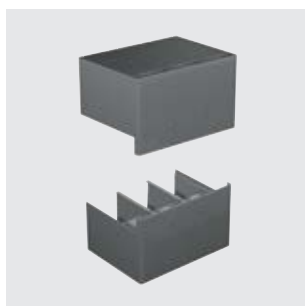
Code	Rated current	Number of terminals	Pack Carton
Suitable for: MTX/M 160c			
GW D8 416	160 A	3	1
GW D8 417	160 A	4	1
Suitable for: MTX/M 160c+BD			
GW D8 418	160 A	4	1



GW 98 435

HORIZONTAL OR VERTICAL FLAT REAR TERMINALS

Code	Rated current	Number of terminals	Pack Carton
Suitable for: MTSE/M 1600			
GW 98 434	1600 A	3	1
GW 98 435	1600 A	4	1



GW D8 271

PAIR OF ISOLATING TERMINAL COVERS

Code	No. of poles	Type	Suitable for MCCB	Pack Carton
Suitable for: MTX/M 160c				
GW D8 271	3P	High	Fixed	1
GW D8 281	4P	High	Fixed	1
GW D8 291	3P	Low	Fixed	1
GW D8 301	4P	Low	Fixed	1
Suitable for: MTX/E 160				
GW D8 272	3P	High	Fixed	1
GW D8 282	4P	High	Fixed	1
GW D8 292	3P	Low	Fixed and plug-in	1
GW D8 302	4P	Low	Fixed and plug-in	1
Suitable for: MTX/M 250				
GW D8 273	3P	High	Fixed	1
GW D8 283	4P	High	Fixed	1
GW D8 293	3P	Low	Fixed and plug-in	1
GW D8 303	4P	Low	Fixed and plug-in	1
Suitable for: MTX/E/M 320				
GW D8 274	3P	High	Fixed	1
GW D8 284	4P	High	Fixed	1
GW D8 294	3P	Low	Fixed, plug-in, withdrawable	1
GW D8 304	4P	Low	Fixed, plug-in, withdrawable	1
Suitable for: MTXM 400-MTX/E/M 630				
GW D8 275	3P	High	Fixed	1
GW D8 285	4P	High	Fixed	1
GW D8 295	3P	Low	Fixed, plug-in, withdrawable	1
GW D8 305	4P	Low	Fixed, plug-in, withdrawable	1
Suitable for: MTXM 800-MTX/E/M 1000				
GW D8 276	3P	High	Fixed	1
GW D8 286	4P	High	Fixed	1
GW D8 296	3P	Low	Fixed and withdrawable	1
GW D8 306	4P	Low	Fixed and withdrawable	1
Suitable for: MTSE/M 1600				
GW 98 456	3P	Low	Fixed and withdrawable	1
GW 98 457	4P	Low	Fixed and withdrawable	1



GW D8 309

SCREWS FOR SEALING TERMINAL COVERS

Code	Suitable for	Pack Carton
GW D8 309	MTX/E/M 160/c-630	1
GW D8 310	MTXM 800-MTX/E/M 1000	1



GW D8 312

LOW SEPARATING PARTITIONS

Code	Suitable for	No. of elements	Pack Carton
GW D8 311	MTX/E/M 160/c-250 3P	4	1
GW D8 312	MTX/E/M 160/c-250 4P	6	1
GW D8 313	MTX/E/M 320-630 3P	4	1
GW D8 314	MTX/E/M 320-630 4P	6	1
GW D8 315	MTXM 800-MTX/E/M 1000 3P	4	1
GW D8 316	MTXM 400-MTX/E/M 1000 4P	6	1

ACCESSORIES FOR ELECTRONIC RELEASES



GW 98 458

TEST UNIT

Code	Type	Pack Carton
GW 98 458	Test unit	1

AUTOMATIC SWITCHOVER CONTROL UNIT



GW D8 421

AUTOMATIC SWITCHOVER CONTROL UNIT

Code	Type	Rated voltage (V)	Installation	Pack Carton
GW D8 421	ATS	480 ac	Panel/DIN rail	1
GW D8 422	ATS PRO	480 ac	Panel/DIN rail	1

NOTES: ATS:

- Monitoring of normal/emergency lines
- Management of MCCB's of the normal/emergency lines
- Generator start-up

- Adjustable delay on generator switch-off

ATS PRO (in addition to the ATS functions):

- Possibility to control a third busbar connector MCCB's
- Management of both lines as not-priority lines
- Modbus RS485 dialogue
- Display

For the correct functioning of the switchover control unit, each MCCB's requires the following accessories:

- Auxiliary contact with tripped relay 3-way switch and open/closed 3-way switch
- Motor operating

- Key-operated lock for motor operating

- Signalling contact for MCCB's enabled (only for extractable MCCB's)

- Plate with rear mechanical interlock

In addition:

- 2 contactors 3NO+NC GWD6718

- 2 fuse-holder bases 3P+N GW96312, each with 3 fuses 6 A GW72105

97 MSS

Rotary switch disconnectors

The MSS rotary control switch disconnectors guarantee robustness and reliability in the control and isolation of circuits up to 630 A. The range consists of four different sizes depending on the current with high performance both in alternating current and in direct current.



Technical characteristics page 198

MSS - ROTARY SWITCH DISCONNECTORS UP TO 630 A

MSS 125 - SWITCH DISCONNECTORS



GW 97 724

SWITCH DISCONNECTORS

Code	Rated current	Rated voltage	No. of modules EN 50022	Pack Carton
No. of poles: 3P				
GW 97 721	63 A	400 V	6	1
GW 97 722	100 A	400 V	6	1
GW 97 723	125 A	400 V	6	1
No. of poles: 4P				
GW 97 724	63 A	400 V	6	1
GW 97 725	100 A	400 V	6	1
GW 97 726	125 A	400 V	6	1

NOTE: mounting on DIN rail EN 50022 or on plate.

MSS 160 - SWITCH DISCONNECTORS



GW 97 728

SWITCH DISCONNECTORS

Code	Rated current	Rated voltage	No. of modules EN 50022	Pack Carton
No. of poles: 3P				
GW 97 727	160 A	400 V	8	1
No. of poles: 4P				
GW 97 728	160 A	400 V	8	1

NOTE: mounting on DIN rail EN 50022 or on plate.

MSS 250 - SWITCH DISCONNECTORS



GW 97 730

SWITCH DISCONNECTORS

Code	Rated current	Rated voltage	Pack Carton
No. of poles: 3P			
GW 97 729	250 A	400 V	1
No. of poles: 4P			
GW 97 730	250 A	400 V	1

NOTE: mounting on plate.

MSS 630 - SWITCH DISCONNECTORS



GW 97 734

SWITCH DISCONNECTORS

Code	Rated current	Rated voltage	Pack Carton
No. of poles: 3P			
GW 97 731	400 A	400 V	1
GW 97 732	630 A	400 V	1
No. of poles: 4P			
GW 97 733	400 A	400 V	1
GW 97 734	630 A	400 V	1

NOTE: mounting on plate.

MSS 125 - THREE-WAY SWITCH DISCONNECTOR (I O II)



GW 97 761

THREE-WAY SWITCH DISCONNECTOR (I O II)



Code	Rated current	Rated voltage	No. of modules EN 50022	Pack Carton
No. of poles: 4P				
GW 97 761	125 A	400 V	12	1

NOTE: mounting on DIN rail EN 50022 or on plate.

MSS 160 ATS - AUTOMATIC THREE-WAY SWITCH DISCONNECTORS



GW 97 767

MONOBLOC AUTOMATIC SWITCHOVER SYSTEM WITH 3 POSITIONS

Code	Rated current	Rated voltage	No. of modules EN 50022	Pack Carton
No. of poles: 4P				
GW 97 767	160 A	230 V	19	1

APPLICATIONS:

- line switchover via remote control;
 - automatic inversion - while charged - of the source of two low voltage networks;
 - management of power supply rescue systems, with interruption of the supply to the load during transfer.
- It is possible to force operation in manual mode, via the AUTO/MAN selector.

NOTE: mounting on DIN rail EN 50022 or on plate.

DOOR COUPLING ROTARY HANDLES - IP65



GW 98 522

DOOR COUPLING ROTARY HANDLES - IP65

Code	Handle colour	Length shaft	Pack Carton
Suitable for: MSS 125 / MSS 160			
GW 98 521	Black	200 mm	1
GW 98 524	Red - emergency	200 mm	1
Suitable for: MSS 250 / MSS 630			
GW 98 522	Black	320 mm	1
GW 98 525	Red - emergency	320 mm	1
Suitable for: MSS 125 - Three-way switch disconnectors			
GW 98 523	Black	200 mm	1

NOTE: all the rotary coupling handles include a shaft extension.

APPLICATIONS: the rotary coupling handles include a door locking function.

AUXILIARY CONTACTS



GW 98 516

AUXILIARY CONTACTS

Code	No. of pieces	Max no. of pieces per switch	No. and type of contact	Contact rating	Pack Carton
Suitable for: MSS 125 / MSS 160					
GW 98 514	1	2	1 Changeover	5 A - 250 V	1
Suitable for: MSS 250 / MSS 630					
GW 98 515	1	1	1 Changeover	16 A - 250 V	1
Suitable for: MSS 125 - Three-way switch disconnecter					
GW 98 516	2	2	1 Changeover	5 A - 250 V	1
Suitable for: MSS 160 ATS - Automatic three-way switch disconnecter					
GW 97 774	1	2	3 Changeover	5 A - 250 V	1

SOCKET-OUTLET CLAMP



GW 97 775

Code	No. of elements	Pack Carton
Suitable for: MSS 160 ATS - Automatic three-way switch disconnecter		
GW 97 775	2	1

APPLICATION: makes 2 connection terminals available for wires with a section ≤ 1.5 mm and 2 single-pole. Can be assembled in all terminals, without altering the capacity of the power terminals.

TERMINAL COVERS



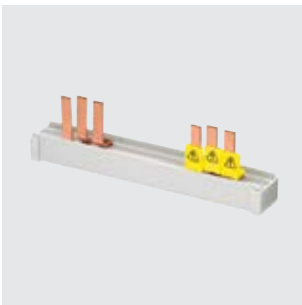
GW 98 508

TERMINAL COVERS

Code	No. of poles	Number of terminal covers	Pack Carton
Suitable for: MSS 160			
GW 98 508	3P - 4P	1	1
Suitable for: MSS 250			
GW 98 509	3P	1	1
GW 98 510	4P	1	1
Suitable for: MSS 630			
GW 98 511	3P	1	1
GW 98 512	4P	1	1
Suitable for: MSS 160 ATS - Automatic three-way switch disconnecter			
GW 97 773	4P	2	1

NOTE: for upstream and downstream protection, order 2 items with this code.

INSTALLATION ACCESSORIES



GW 98 517

COMMON OUTPUT POINT BUSBAR

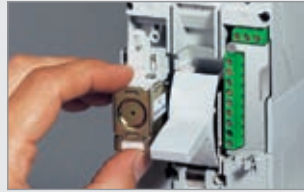
Code	No. of poles	Pack Carton
Suitable for: MSS 125 - Three-way switch disconnecter		
GW 98 517	4P	1
Suitable for: MSS 160 ATS - Automatic three-way switch disconnecter		
GW 97 772	4P	1

APPLICATION: facilitate the creation of a common point upstream or downstream for MSS 125 (GW98517), and output only for MSS 160 ATS (GW9772), avoiding the use of cables. The use of this accessory does not alter the capacity of the power terminals.

MTX



COMPLETE AND SPECIFIC ACCESSORIES



The MTX range is full of common accessories that streamline the installation and allow to reach additional functions such as remote opening, operating status by remote, engine control etc.

SOLUTIONS FOR AN INTEGRATED SYSTEM



The MTX range integrates perfectly with 47 CVX and 46 distribution boards thanks to the installation kit on plate and on DIN rail.

IDEAL RANGE FOR EVERY NEED



The moulded case circuit breakers MTX range is made up of circuit breakers with thermo-magnetic release, circuit breakers with magnetic release only, circuit breakers with electronic release, switch disconnectors, add-on residual current circuit breaker.

Commercial information page 144

MCCB WITH THERMOMAGNETIC AND MAGNETIC RELEASES

MTX 160c

THERMOMAGNETIC RELEASES - TM1

L1 - L2 - L3 (Ith)*	(A)	16 ⁽¹⁾	20 ⁽¹⁾	25 ⁽²⁾	32	40	50	63	80	100	125	160
Neutral (Ith)*	(A)	16	20	25	32	40	50	63	80	100	125	160

MTX 160c

Circuit breaker for power distribution	I_3^{**}	(A)	630	630	630	630	630	630	630	800	1000	1250	1600
--	------------	-----	-----	-----	-----	-----	-----	-----	-----	-----	------	------	------

⁽¹⁾ Breaking capacity B only ⁽²⁾ Breaking capacity B and C only

The thermal element of the thermomagnetic releases has an adjustable threshold with range $(0.7 - 1) \times I_{th}$.

This adjustment is done by positioning the selector at the minimum value MIN $(0.7 \times I_{th})$, the average value MED $(0.85 \times I_{th})$ or the maximum value MAX $(1 \times I_{th})$. Placing the selector in an intermediate position (for example between MIN and MED) is not possible to know with certainty the value of the corresponding thermal trip.

The adjusted current value obtained should be considered rated at 40°C

Neutral 100% protected

* "Ith" indicates the calibration current of the relay to protect the phases and neutral ** Magnetic tripping current with fixed threshold

MTX 160

THERMOMAGNETIC RELEASES - TM1

L1 - L2 - L3 (Ith)*	(A)	10	16	20	25
Neutral (Ith)*	(A)	10	16	20	25

MTX 160

Circuit breaker for power distribution	I_3^{**}	(A)	100	500	500	500
--	------------	-----	-----	-----	-----	-----

The thermal element of the thermomagnetic releases has an adjustable threshold with range $(0.7 - 1) \times I_{th}$.

This adjustment is done by positioning the selector at the minimum value MIN $(0.7 \times I_{th})$, the average value MED $(0.85 \times I_{th})$ or the maximum value MAX $(1 \times I_{th})$.

Placing the selector in an intermediate position (for example between MIN and MED) is not possible to know with certainty the value of the corresponding thermal trip.

The adjusted current value obtained should be considered rated at 40°C

Neutral 100% protected

* "Ith" indicates the calibration current of the relay to protect the phases and neutral ** Magnetic tripping current with fixed threshold

MTX 160

THERMOMAGNETIC RELEASES FOR GENERATOR PROTECTION - TMG

L1 - L2 - L3 (Ith)*	(A)	25	40	63	80	100	125	160
Neutral (Ith)*	(A)	25	40	63	80	100	125	160

MTX 160

Circuit breaker for generator protection	$I_3^{**} = 3 \times I_n$	(A)	160	200	200	240	300	375	480
--	---------------------------	-----	-----	-----	-----	-----	-----	-----	-----

The thermal element of the thermomagnetic releases has an adjustable threshold with range $(0.7 - 1) \times I_{th}$.

This adjustment is done by positioning the selector at the minimum value MIN $(0.7 \times I_{th})$, the average value MED $(0.85 \times I_{th})$ or the maximum value MAX $(1 \times I_{th})$. Placing the selector in an intermediate position (for example between MIN and MED) is not possible to know with certainty the value of the corresponding thermal trip.

The adjusted current value obtained should be considered rated at 40°C

Neutral 100% protected

* "Ith" indicates the calibration current of the relay to protect the phases and neutral ** Magnetic tripping current with fixed threshold

For technical information contact the Technical Assistance Service or visit [gewiss.com](http://www.gewiss.com)

MTX 160

MAGNETIC RELEASES FOR MOTOR PROTECTION - M																		
L1 - L2 - L3 (Ith)*	(A)	1 ⁽¹⁾	1.6 ⁽¹⁾	2 ⁽¹⁾	2.5 ⁽¹⁾	3.2 ⁽¹⁾	4 ⁽¹⁾	5 ⁽¹⁾	6.5 ⁽¹⁾	8.5 ⁽¹⁾	11 ⁽¹⁾	12.5 ⁽¹⁾	20 ⁽²⁾	32 ⁽²⁾	52 ⁽²⁾	80 ⁽²⁾	100 ⁽²⁾	
MTX 160																		
Circuit breaker for motor protection	I ₃ **	(A)	13	21	26	33	42	52	65	84	110	145	163	240	384	624	960	1200
⁽¹⁾ I ₃ = 13xIth; ⁽²⁾ I ₃ = (6 ÷ 12) Ith The adjusted current value obtained should be considered rated at 40°C * "Ith" indicates the calibration current of the relay to protect the phases and neutral ** Magnetic tripping current																		

MTX 250

THERMOMAGNETIC RELEASES - TM1									
L1 - L2 - L3 (Ith)*	(A)	63	80	100	125	160	200	250	
Neutral (Ith)*	(A)	63	80	100	125	160	200	250	
MTX 250									
Circuit breaker for power distribution	I ₃ ** = 10xIn	(A)	630	800	1000	1250	1600	2000	2500
The thermal element of the thermomagnetic releases has an adjustable threshold with range (0.7 - 1) x Ith. This adjustment is done by positioning the selector at the minimum value MIN (0.7 X Ith), the average value MED (0.85 X Ith) or the maximum value MAX (1xIth). Placing the selector in an intermediate position (for example between MIN and MED) is not possible to know with certainty the value of the corresponding thermal trip. The adjusted current value obtained should be considered rated at 40°C Neutral 100% protected * "Ith" indicates the calibration current of the relay to protect the phases and neutral ** Magnetic tripping current with fixed threshold									

MTX 250

THERMOMAGNETIC RELEASES FOR GENERATOR PROTECTION - TMG									
L1 - L2 - L3 (Ith)*	(A)	63	80	100	125	160	200	250	
Neutral (Ith)*	(A)	63	80	100	125	160	200	250	
MTX 250									
Circuit breakers for generator protection	I ₃ ** = 3xIn	(A)	400	400	400	400	480	600	750
The thermal element of the thermomagnetic releases has an adjustable threshold with range (0.7 - 1) x Ith. This adjustment is done by positioning the selector at the minimum value MIN (0.7 X Ith), the average value MED (0.85 X Ith) or the maximum value MAX (1xIth). Placing the selector in an intermediate position (for example between MIN and MED) is not possible to know with certainty the value of the corresponding thermal trip. The adjusted current value obtained should be considered rated at 40°C Neutral 100% protected * "Ith" indicates the calibration current of the relay to protect the phases and neutral ** Magnetic tripping current with fixed threshold									

MTX 250

MAGNETIC RELEASES FOR MOTOR PROTECTION - M						
L1 - L2 - L3 (Ith)*	(A)	100 ⁽¹⁾	125 ⁽¹⁾	160 ⁽¹⁾	200 ⁽¹⁾	
MTX 250						
Circuit breaker for motor protection	I ₃ **	(A)	1200	1500	1920	2400
⁽¹⁾ I ₃ = (6 - 12) Ith The adjusted current value obtained should be considered rated at 40°C * "Ith" indicates the calibration current of the relay to protect the phases and neutral ** Magnetic tripping current						

MTX 320

THERMOMAGNETIC RELEASES - TM2							
	L1 - L2 - L3 (Ith)*	(A)	100 ⁽¹⁾	125 ⁽¹⁾	160 ⁽¹⁾	200 ⁽¹⁾	250 ⁽¹⁾
	Neutral (Ith)*	(A)	100 ⁽¹⁾	125 ⁽¹⁾	160 ⁽¹⁾	200 ⁽¹⁾	250 ⁽¹⁾
MTX 320							
Circuit breaker for power distribution	I ₃ **	(A)	1000	1250	1600	2000	2500

⁽¹⁾ I₃ = (5 ÷ 10) Ith

The thermal element of the thermomagnetic releases has an adjustable threshold with range (0.7 - 1) x Ith.

This adjustment is done by positioning the selector at the minimum value MIN (0.7 X Ith), the average value MED (0.85 X Ith) or the maximum value MAX (1x Ith). Placing the selector in an intermediate position (for example between MIN and MED) is not possible to know with certainty the value of the corresponding thermal trip.

The adjusted current value obtained should be considered rated at 40°C

Neutral 100% protected

* "Ith" indicates the calibration current of the relay to protect the phases and neutral ** Magnetic tripping current with fixed threshold

MTX 630

THERMOMAGNETIC RELEASES - TM2					
	L1 - L2 - L3 (Ith)*	(A)	320 ⁽¹⁾	400 ⁽¹⁾	500 ⁽¹⁾
	Neutral (Ith)*	(A)	320 ⁽¹⁾	400 ⁽¹⁾	500 ⁽¹⁾
MTX 630					
Circuit breaker for power distribution	I ₃ **	(A)	1000	1250	1600

⁽¹⁾ I₃ = (5 - 10) Ith

The thermal element of the thermomagnetic releases has an adjustable threshold with range (0.7 - 1) x Ith.

This adjustment is done by positioning the selector at the minimum value MIN (0.7 X Ith), the average value MED (0.85 X Ith) or the maximum value MAX (1x Ith). Placing the selector in an intermediate position (for example between MIN and MED) is not possible to know with certainty the value of the corresponding thermal trip.

The adjusted current value obtained should be considered rated at 40°C

Neutral 100% protected

* "Ith" indicates the calibration current of the relay to protect the phases and neutral ** Magnetic tripping current

MTX 1000

THERMOMAGNETIC RELEASES - TM2				
	L1 - L2 - L3 (Ith)*	(A)	630 ⁽¹⁾	800 ⁽¹⁾
	Neutral (Ith)*	(A)	630 ⁽¹⁾	800 ⁽¹⁾
MTX 1000				
Circuit breaker for power distribution	I ₃ **	(A)	6300	8000

⁽¹⁾ I₃ = (5 - 10) Ith

The thermal element of the thermomagnetic releases has an adjustable threshold with range (0.7 - 1) x Ith.

This adjustment is done by positioning the selector at the minimum value MIN (0.7 X Ith), the average value MED (0.85 X Ith) or the maximum value MAX (1x Ith). Placing the selector in an intermediate position (for example between MIN and MED) is not possible to know with certainty the value of the corresponding thermal trip.

The adjusted current value obtained should be considered rated at 40°C

Neutral 100% protected

* "Ith" indicates the calibration current of the relay to protect the phases and neutral ** Magnetic tripping current

MCCB WITH ELECTRONIC RELEASES

MTXE 160

SEP/1 ELECTRONIC RELEASES							
	L1 - L2 - L3 (Ith)*	(A)	10	25	63	100	160
	Neutral (Ith)*	(A)	10	25	63	100	160
MTXE 160							
Circuit breaker for power distribution	L	(A)	4 / 10	10 / 25	25.2 / 63	40 / 100	64 / 160
	S	(A)	10 / 100	25 / 250	63 / 630	100 / 1000	160 / 1600
	I	(A)	10 / 100	25 / 250	63 / 630	100 / 1000	160 / 1600

The adjusted current value obtained should be considered rated at 40°C

Neutral 100% protected

* "Ith" indicates the calibration current of the relay to protect the phases and neutral

MTXE 320

SEP/1 - SEP/2 ELECTRONIC RELEASES							
	L1 - L2 - L3 (Ith)*	(A)		100	160	250	320
	Neutral (Ith)*	(A)		100	160	250	320
MTXE 320							
Circuit breaker for power distribution	SEP/1	L	(A)	40 / 100	64 / 160	100 / 250	128 / 320
		S ⁽¹⁾	(A)	100 / 1000	160 / 1600	250 / 2500	320 / 3200
		I ⁽¹⁾	(A)	100 / 1000	160 / 1600	250 / 2500	320 / 3200
	SEP/2	L	(A)	40 / 100	64 / 160	100 / 250	128 / 320
		S ⁽¹⁾	(A)	60 / 1000	96 / 1600	150 / 2500	192 / 3200
		I ⁽¹⁾	(A)	150 / 1200	240 / 1920	375 / 3000	480 / 3840
		G	(A)	20 / 100	32 / 160	50 / 250	64 / 320

⁽¹⁾ MTXE 320 In=320A; MTXE 630 In=630A; MTXE 1000 In=1000A = MAX adjustment 9.5 X In

The adjusted current value obtained should be considered rated at 40°C

Neutral 50% or 100% protected

* "Ith" indicates the calibration current of the relay to protect the phases and neutral

MTXE 630

SEP/1 - SEP/2 ELECTRONIC RELEASES							
	L1 - L2 - L3 (Ith)*	(A)		400		630	
	Neutral (Ith)*	(A)		400		630	
MTXE 630							
Circuit breaker for power distribution	SEP/1	L	(A)	160 / 400		252 / 630	
		S ⁽¹⁾	(A)	400 / 4000		630 / 6300	
		I ⁽¹⁾	(A)	400 / 4000		630 / 6300	
	SEP/2	L	(A)	160 / 400		252 / 630	
		S ⁽¹⁾	(A)	240 / 4000		378 / 6300	
		I ⁽¹⁾	(A)	240 / 4800		378 / 7560	
		G	(A)	80 / 400		126 / 630	

⁽¹⁾ MTXE 320 In=320A; MTXE 630 In=630A; MTXE 1000 In=1000A = MAX adjustment 9.5 X In

The adjusted current value obtained should be considered rated at 40°C

Neutral 50% or 100% protected

* "Ith" indicates the calibration current of the relay to protect the phases and neutral

MTXE 1000

SEP/1 - SEP/2 ELECTRONIC RELEASES						
L1 - L2 - L3 (Ith)*		(A)		630	800	1000
Neutral (Ith)*		(A)		630	800	1000
MTXE 1000						
Circuit breaker for power distribution	SEP/1	L	(A)	252 / 630	320 / 800	400 / 1000
		S ⁽¹⁾	(A)	630 / 6300	800 / 8000	1000 / 10000
		I ⁽¹⁾	(A)	630 / 6300	800 / 8000	1000 / 10000
	SEP/2	L	(A)	252 / 630	320 / 800	400 / 1000
		S ⁽¹⁾	(A)	378 / 6300	480 / 8000	600 / 10000
		I ⁽¹⁾	(A)	378 / 7560	480 / 9600	600 / 12000
		G	(A)	126 / 630	160 / 800	200 / 1000

⁽¹⁾ MTXE 320 In=320A; MTXE 630 In=630A; MTXE 1000 In=1000A = MAX adjustment 9.5 X In

The adjusted current value obtained should be considered rated at 40°C

Neutral 50% or 100% protected

* "Ith" indicates the calibration current of the relay to protect the phases and neutral

MTSE 1600

SEP/A - SEP/B ELECTRONIC RELEASES						
L1 - L2 - L3 (Ith)*		(A)		1250	1600	
Neutral (Ith)*		(A)		1250	1600	
MTSE 1600						
Circuit breaker for power distribution	SEP/A	L	(A)	500 / 1250	640 / 1600	
		S	(A)	1250 / 12500	1600 / 16000	
		I	(A)	1875 / 15000	2400 / 19200	
	SEP/B	L	(A)	500 / 1250	640 / 1600	
		S	(A)	1250 / 12500	1600 / 16000	
		I	(A)	1875 / 15000	2400 / 19200	
		G	(A)	500 / 1250	640 / 1600	

The adjusted current value obtained should be considered rated at 40°C

Neutral 50% or 100% protected

* "Ith" indicates the calibration current of the relay to protect the phases and neutral

ADJUSTING THE ELECTRONIC RELEASES



SEP/1 electronic release

SEP/2 electronic release

TRIPPING THRESHOLDS AND CHARACTERISTICS					
Protection function		SEP/1			
		Tripping threshold	Tripping characteristic		
<p>Against overloads, with reverse long time delayed tripping and time-dependent tripping characteristic</p>		$I_1 = 0.40 \times I_n$ step = $0.04 \times I_n$ MTXE 160 Release between $1.05 \dots 1.30 \times I_1$ MTXE 320 - MTXE 630 - MTXE 1000 Release between $1.1 \dots 1.30 \times I_1$	at $6 \times I_1$ $t_1 = 3-6s$ (MTXE 160) 12s (MTXE 320 - MTXE 630 - MTXE 1000) Tolerance: MTXE 160 $\pm 10\%$ up to $2 \times I_n$ - $\pm 20\%$ above $2 \times I_n$ MTXE 320 - MTXE 630 - MTXE 1000 $\pm 10\%$ up to $6 \times I_n$ - $\pm 20\%$ above $6 \times I_n$		
		Short-circuit protection long delay Against short-circuiting, with reverse short time delayed tripping and time-dependent ($I^2t = \text{constant}$) or time-independent tripping characteristic		$I_2^{(1)} = 1 - 1.5 - 2 - 2.5 - 3 - 3.5 - 4.5 - 5.5 - 6.5 - 7 - 7.5 - 8 - 8.5 - 9 - 10 \times I_n$ Tolerance: MTXE 160 $\pm 10\%$ up to $2 \times I_n$ - $\pm 20\%$ above $2 \times I_n$ MTXE 320 - MTXE 630 - MTXE 1000 $\pm 10\%$	at $8 \times I_n$ $t_2 = 0.1 - 0.25s$ Tolerance: MTXE 160 $\pm 20\%$ MTXE 320 - MTXE 630 - MTXE 1000 $\pm 10\%$ up to $6 \times I_n$ - $\pm 20\%$ above $6 \times I_n$
CAN BE EXCLUDED					
<p>Instantaneous short-circuit protection Against short-circuiting, with instantaneous adjustable tripping</p>		$I_3^{(1)} = 1 - 1.5 - 2 - 2.5 - 3 - 3.5 - 4.5 - 5.5 - 6.5 - 7 - 7.5 - 8 - 8.5 - 9 - 10 \times I_n$ Tolerance: MTXE 160 $\pm 20\%$ MTXE 320 - MTXE 630 - MTXE 1000 $\pm 10\%$	Instantaneous		
		CAN BE EXCLUDED			
Protection function		SEP/2			
		Tripping threshold	Tripping characteristic		
<p>Against overloads, with reverse long time delayed tripping and time-dependent tripping characteristic</p>		$I_1 = 0.40 \times I_n$ step = $0.04 \times I_n$ Release between $1.1 \dots 1.30 \times I_1$	at $6 \times I_1$ $t_1^{(2)} = 3 - 6 - 9 - 18s$ Tolerance: $\pm 10\%$		
		Short-circuit protection long delay Against short-circuiting, with reverse short time delayed tripping and time-dependent ($I^2t = \text{constant}$) or time-independent tripping characteristic		$I_2^{(1)} = 0.6 - 1.2 - 1.8 - 2.4 - 3 - 3.6 - 4.2 - 5.8 - 6.4 - 7 - 7.6 - 8.2 - 8.8 - 9.4 - 10 \times I_n$ Tolerance: $\pm 10\%$	For $t = k/I^2$ at $8 \times I_n$ $t_2 = 0.05 - 0.1 - 0.25 - 0.5s$ For $t = k$ $t_2 = 0.05 - 0.1 - 0.25 - 0.5s$
CAN BE EXCLUDED					
<p>Instantaneous short-circuit protection Against short-circuiting, with instantaneous adjustable tripping</p>		$I_3^{(1)} = 1.5 - 2.5 - 3 - 4 - 4.5 - 5 - 5.5 - 6.5 - 7 - 7.5 - 8 - 9 - 9.5 - 10.5 - 12 \times I_n$ Tolerance: $\pm 10\%$	Instantaneous		
		CAN BE EXCLUDED			
<p>Earthing protection Against earthing faults, with reverse short time delayed tripping and time-dependent tripping characteristic ($I^2t = \text{constant}$)</p>		$I_4 = 0.2 - 0.25 - 0.45 - 0.55 - 0.75 - 0.8 - 1 \times I_n$ Tolerance: $\pm 10\%$	Up to $3.15 \times I_4$: $t_4 = 0.1s$ Up to $2.25 \times I_4$: $t_4 = 0.2s$ Up to $1.6 \times I_4$: $t_4 = 0.4s$ Up to $1.10 \times I_4$: $t_4 = 0.8s$		
		CAN BE EXCLUDED			
		CAN BE EXCLUDED			
		CAN BE EXCLUDED			

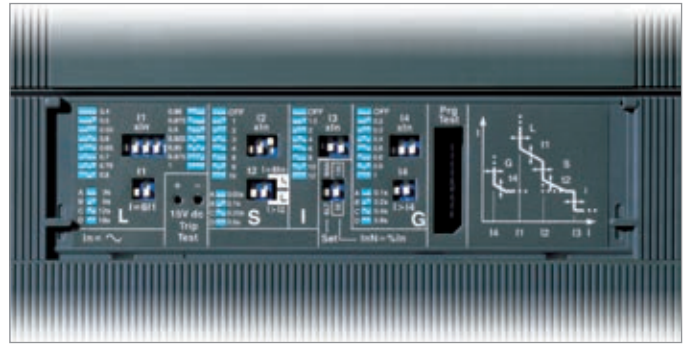
⁽¹⁾ MTXE 320 $I_n=320A$; MTXE 630 $I_n=630A$; MTXE 1000 $I_n=1000A$ = MAX adjustment $9.5 \times I_n$.

⁽²⁾ MTXE 320 $I_n=320A$; MTXE 630 $I_n=630A$; MTXE 1000 $I_n=1000A$ = $t_1 = 10,5s$.

For technical information contact the Technical Assistance Service or visit www.gewiss.com



SEP/A electronic release



SEP/B electronic release

TRIPPING THRESHOLDS AND CHARACTERISTICS			
Protection function		Tripping threshold	Tripping characteristic
Overload protection			
<div style="border: 1px solid black; padding: 5px; display: inline-block; font-size: 2em; font-weight: bold; text-align: center;">L</div>	Against overloads, with reverse long time delayed tripping and time-dependent tripping characteristic		$I1 = 0,4 - 0,5 - 0,6 - 0,7 - 0,8 - 0,9 - 0,95 - 1 \times I_n$ $I1 = 0,4 - 0,5 - 0,55 - 0,6 - 0,65 - 0,7 - 0,75 - 0,8 - 0,85 - 0,875 - 0,9 - 0,925 - 0,95 - 0,975 - 1 \times I_n$ Release between $1,05 \dots 1,30 \times I1$ (IEC 60947-2)
Short-circuit protection long delay			
<div style="border: 1px solid black; padding: 5px; display: inline-block; font-size: 2em; font-weight: bold; text-align: center;">S</div>	Against short-circuiting, with reverse short time delayed tripping and time-dependent ($I2t = \text{constant}$) or time-independent tripping characteristic		$I2 = 1 - 2 - 3 - 4 - 6 - 8 - 10 \times I_n$ Tolerance: + 10% $I2 = 1 - 2 - 3 - 4 - 6 - 8 - 10 \times I_n$ Tolerance: + 10%
CAN BE EXCLUDED			
Instantaneous short-circuit protection			
<div style="border: 1px solid black; padding: 5px; display: inline-block; font-size: 2em; font-weight: bold; text-align: center;">I</div>	Against short-circuiting, with instantaneous adjustable tripping		$I3 = 1,5 - 2 - 4 - 6 - 8 - 10 - 12 \times I_n$ Tolerance: + 20% Instantaneous
CAN BE EXCLUDED			
Earthing protection			
<div style="border: 1px solid black; padding: 5px; display: inline-block; font-size: 2em; font-weight: bold; text-align: center;">G</div>	Against earthing faults, with reverse short time delayed tripping and time-dependent tripping characteristic ($I2t = \text{constant}$)		$I4 = 0,2 - 0,3 - 0,4 - 0,6 - 0,8 - 0,9 - 1 \times I_n$ Tolerance: + 20% up to $3,25 \times I4$ up to $2,25 \times I4$ up to $1,6 \times I4$ up to $1,25 \times I4$ $t4 = 100ms$ $t4 = 200ms$ $t4 = 400ms$ $t4 = 800ms$ (Tolerance + 10% up to $2 \times I_n$; + 20% above $2 \times I_n$)
CAN BE EXCLUDED			

97 MSS



FULLY ACCESSORIZED



To meet specific needs, the switch-disconnectors can be fitted with IP65 watertight rotary handles (shaft extension included), auxiliary contacts, terminal covers, parallel connections.

HIGH PERFORMANCE



The MSS disconnectors, guarantee a high performance both with alternating current and direct current ensure the maximum hold in the event of shortcircuit or a high number operations in dangerous conditions.

PERFECT INTEGRATION



Thanks to the dedicated installation kit MSS switch disconnectors are perfectly integrated with the 47 CVX distribution boards. The high versatility of the MSS disconnectors allow a total synergy with the 46 range of automation and distribution boards.

Commercial information page 188







ROTARY SWITCH DISCONNECTORS - MSS

Technical data

TYPE		MSS 125	MSS 160	MSS 250	MSS 630	MSS 125 (Three-way switch)	MSS ATS 160			
Reference Standard:		EN 60947-3						EN 60947-3 EN 60947-6-1		
Rated current (In):	(A)	63	100	125	160	250	400	630	125	160
No. poles:		3-4	3-4	3-4	3-4	3-4	3-4	3-4	4	4
Rated operational voltage (Ue):	AC (V)	400	400	400	400	400	400	400	400	400
	DC (V)	220	220	220	220	220	220	220	-	230
Maximum operating voltage (max Ue):	AC (V)	690	690	690	690	690	690	690	690	690
	DC (V)	440	440	440	440	500	500	500	220	-
Rated insulation voltage (Ui):	AC (V)	800	800	800	800	800	1000	1000	800	800
Rated impulse withstand voltage (Uimp):	(kV)	8	8	8	8	8	12	12	8	6
Voltage	Category of use ⁽¹⁾	Operating currents Ie (A)								
400V AC	AC-21 A / AC-21 B	63 / 63	100 / 100	125 / 125	160 / 160	250 / 250	400 / 400	630 / 630	125 / 125	160 / 160
	AC-22 A / AC-22 B	63 / 63	100 / 100	125 / 125	160 / 160	250 / 250	400 / 400	630 / 630	125 / 125	160 / 160
	AC-23 A / AC-23 B	63 / 63	63 / 63	63 / 63	160 / 160	250 / 250	400 / 400	500 / 500	63 / 63	125 / 160
415V AC	AC-31 A / AC-31 B	-	-	-	-	-	-	-	-	100 / 160
	AC-32 A / AC-32 B	-	-	-	-	-	-	-	-	100 / 160
	AC-33 A / AC-33 B	-	-	-	-	-	-	-	-	- / 80
500V AC	AC-21 A / AC-21 B	63 / 63	100 / 100	125 / 125	160 / 160	250 / 250	400 / 400	630 / 630	-	-
	AC-22 A / AC-22 B	63 / 63	100 / 100	100 / 100	160 / 160	250 / 250	400 / 400	500 / 500	-	-
	AC-23 A / AC-23 B	50 / 50	50 / 50	50 / 50	160 / 160	250 / 250	315 / 315	315 / 315	-	-
690V AC ⁽²⁾	AC-20 A / AC-20 B	63 / 63	100 / 100	125 / 125	160 / 160	250 / 250	400 / 400	630 / 630	125 / 125	-
	AC-21 A / AC-21 B	63 / 63	80 / 80	80 / 80	160 / 160	250 / 250	400 / 400	500 / 500	80 / 80	160 / 160
	AC-22 A / AC-22 B	40 / 40	40 / 40	40 / 40	160 / 160	125 / 160	250 / 315	315 / 315	40 / 40	100 / 125
220V DC	DC-23 A / DC-23 B	25 / 25	25 / 25	25 / 25	63 / 80	100 / 125	160 / 200	160 / 200	25 / 25	80 / 80
	DC-20 A / DC-20 B	63 / 63	100 / 100	125 / 125	160 / 160	250 / 250	400 / 400	630 / 630	125 ⁽³⁾ / 125 ⁽³⁾	-
	DC-21 A / DC-21 B	63 ⁽³⁾ / 63 ⁽³⁾	100 ⁽³⁾ / 100 ⁽³⁾	125 ⁽³⁾ / 125 ⁽³⁾	160 ⁽³⁾ / 160 ⁽³⁾	250 / 250	400 / 400	630 / 630	125 ⁽³⁾ / 125 ⁽³⁾	-
400V DC	DC-22 A / DC-22 B	63 ⁽³⁾ / 63 ⁽³⁾	100 ⁽³⁾ / 100 ⁽³⁾	100 ⁽³⁾ / 100 ⁽³⁾	160 ⁽³⁾ / 160 ⁽³⁾	250 / 250	400 / 400	500 / 500	100 ⁽³⁾ / 100 ⁽³⁾	-
	DC-23 A / DC-23 B	63 ⁽³⁾ / 63 ⁽³⁾	63 ⁽³⁾ / 63 ⁽³⁾	63 ⁽³⁾ / 63 ⁽³⁾	160 ⁽³⁾ / 160 ⁽³⁾	200 / 200	400 / 400	500 / 500	63 ⁽³⁾ / 63 ⁽³⁾	-
	DC-20 A / DC-20 B	-	-	-	-	250 / 250	400 / 400	630 / 630	-	-
440V DC	DC-21 A / DC-21 B	-	-	-	-	200 ⁽⁴⁾ / 200 ⁽⁴⁾	400 ⁽⁴⁾ / 400 ⁽⁴⁾	500 ⁽⁴⁾ / 500 ⁽⁴⁾	-	-
	DC-22 A / DC-22 B	-	-	-	-	200 ⁽⁴⁾ / 200 ⁽⁴⁾	400 ⁽⁴⁾ / 400 ⁽⁴⁾	500 ⁽⁴⁾ / 500 ⁽⁴⁾	-	-
	DC-23 A / DC-23 B	-	-	-	-	200 ⁽³⁾ / 200 ⁽³⁾	400 ⁽³⁾ / 400 ⁽³⁾	500 ⁽³⁾ / 500 ⁽³⁾	-	-
500V DC	DC-20 A / DC-20 B	63 ⁽³⁾ / 63 ⁽³⁾	100 ⁽³⁾ / 100 ⁽³⁾	125 ⁽³⁾ / 125 ⁽³⁾	160 ⁽³⁾ / 160 ⁽³⁾	-	-	-	-	-
	DC-21 A / DC-21 B	40 ⁽³⁾ / 40 ⁽³⁾	40 ⁽³⁾ / 40 ⁽³⁾	40 ⁽³⁾ / 40 ⁽³⁾	160 ⁽³⁾ / 160 ⁽³⁾	-	-	-	-	-
	DC-22 A / DC-22 B	32 ⁽³⁾ / 32 ⁽³⁾	32 ⁽³⁾ / 32 ⁽³⁾	32 ⁽³⁾ / 32 ⁽³⁾	100 ⁽³⁾ / 100 ⁽³⁾	-	-	-	-	-
500V DC	DC-23 A / DC-23 B	32 ⁽³⁾ / 32 ⁽³⁾	32 ⁽³⁾ / 32 ⁽³⁾	32 ⁽³⁾ / 32 ⁽³⁾	63 ⁽³⁾ / 63 ⁽³⁾	-	-	-	-	-
	DC-20 A / DC-20 B	-	-	-	-	250 / 250	400 / 400	630 / 630	-	-
	DC-21 A / DC-21 B	-	-	-	-	200 ⁽⁴⁾ / 200 ⁽⁴⁾	400 ⁽⁴⁾ / 400 ⁽⁴⁾	500 ⁽⁴⁾ / 500 ⁽⁴⁾	-	-
500V DC	DC-22 A / DC-22 B	-	-	-	-	200 ⁽³⁾ / 200 ⁽³⁾	315 ⁽³⁾ / 400 ⁽³⁾	500 ⁽³⁾ / 500 ⁽³⁾	-	-
	DC-23 A / DC-23 B	-	-	-	-	200 ⁽³⁾ / 200 ⁽³⁾	315 ⁽³⁾ / 400 ⁽³⁾	500 ⁽³⁾ / 500 ⁽³⁾	-	-

⁽¹⁾ category with index A = frequent manoeuvres/category with index B = non-frequent manoeuvres; ⁽²⁾ with terminal covers or pole separation shield; ⁽³⁾ 4-pole device with 2 poles in series for each polarity; ⁽⁴⁾ 3-pole device with 2 poles in series for "+" and 1 pole for "-"; ⁽⁵⁾ indicates the peak current value for an operating voltage Ue = 400V AC; ⁽⁶⁾ for an operating voltage Ue = 400V AC; ⁽⁷⁾ connected directly on the frame; ⁽⁸⁾ also with terminals. *In the case of special needs the locking function can be set also in position I or II.

Technical data

TYPE	MSS 125			MSS 160	MSS 250	MSS 630		MSS 125 (Three-way switch)	MSS ATS 160	
										
Rated short-time withstand current (I _{cw}):	(kA)	2.5	2.5	2.5	4	9	13	13	2.5	4
Rated short-circuit making capacity (I _{cm}) ⁽⁵⁾ :	(kA)	12	12	12	16	30	45	45	12	17
Conditional short-circuit current with fuse (I _{cc}) ⁽⁶⁾ :	(kA)	100 (gG 63)	100 (gG 100)	50 (gG 125)	50 (gG 160)	50 (gG 250)	100 (gG 400)	70 (gG 630)	50 (gG 125)	50 (gG 160)
Conditional short-circuit current with miniature circuit breakers (I _{cc}) ⁽⁶⁾ :	(kA)									
MT 60		6	6	6	-	-	-	-	6	-
MT 100		10	10	10	-	-	-	-	10	-
MTHP 160		16	16	16	16	-	-	-	16	16
MTHP 250		25	25	25	-	-	-	-	25	-
MTX 160c	B / C	12	11	11	16	16	-	-	11	16
	N	12	11	11	20	36	-	-	11	20
MTX/E 160	N / S / H	10	10	10	16	36	-	-	10	16
MTX 250 / MTX/E 320	N / S / H / L	8	8	8	10	28	-	-	8	10
	N	-	-	-	-	22	36	36	-	-
MTX/E 630	S / H / L	-	-	-	-	22	55	55	-	-
	N	-	-	-	-	-	36	36	-	-
MTX/E 1000	S / H / L	-	-	-	-	-	40	40	-	-
	N	-	-	-	-	-	-	-	-	-
Pre-arrangement for lock in OFF position:	yes (ø 6mm max)	yes (ø 6mm max)	yes (ø 6mm max)	yes (ø 6mm max)	yes (ø 8mm max)	yes (ø 8mm max)	yes (ø 8mm max)	yes (ø 8mm max)	yes (ø 6mm max)	yes (ø 8mm max)*
Mechanical endurance:	(n. of manoeuvre cycles)	20,000	20,000	20,000	10,000	10,000	5,000	5,000	10,000	10,000
Maximum no. of auxiliary contacts that can be installed:		2	2	2	2	1	1	1	1	2
Power loss at I _n :	(W/pole)	1,2	3,1	5,7	3,3	5,8	10,8	30,9	5,7	7,5
Minimum cable section:	(mm ²)	4	4	4	10	95	185	2 x 150	4	6
Maximum cable section:	rigid / flexible (mm ²)	50 / 35 ⁽⁷⁾	50 / 35 ⁽⁷⁾	50 / 35 ⁽⁷⁾	95 / 70 ⁽⁸⁾	150 / 70 ⁽⁸⁾	240	2x300	50 / 35 ⁽⁷⁾	70
Maximum busbar width:	(mm)	-	-	-	20	32	40	50	-	-
Rated tightening torque:	(Nm)	6	6	6	9	20	20	20	6	5

⁽¹⁾ category with index A = frequent manoeuvres/category with index B = non-frequent manoeuvres; ⁽²⁾ with terminal covers or pole separation shield; ⁽³⁾ 4-pole device with 2 poles in series for each polarity; ⁽⁴⁾ 3-pole device with 2 poles in series for "+" and 1 pole for "-"; ⁽⁵⁾ indicates the peak current value for an operating voltage U_e = 400V AC; ⁽⁶⁾ for an operating voltage U_e = 400V AC; ⁽⁷⁾ connected directly on the frame; ⁽⁸⁾ also with terminals. *In the case of special needs the locking function can be set also in position I or II.

47 CVX 160 I



pag. 235

47 CVX 160 E



pag. 241

47 CVX 630 K



pag. 251

Metal distribution boards and cabinets

47 CVX 630 M

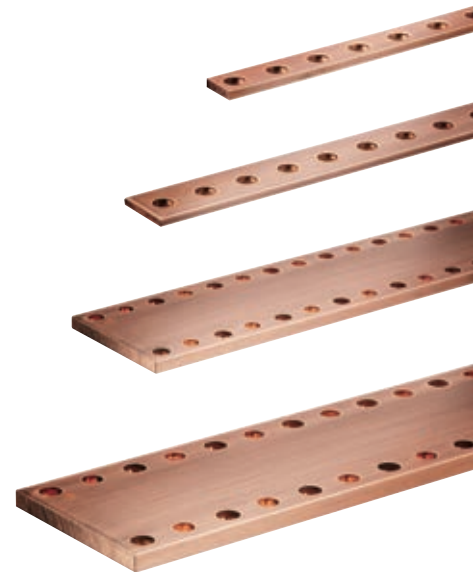


47 CVX 1600



pag. 279

47 BUSBAR



pag. 265

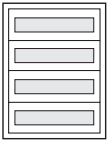





pag. 304

GEWISS metal distribution boards are the best plant engineering solution for the installation of all modular and moulded-case products. Characterised by a design that blends perfectly into any context, the floor-mounting or surface-mounting boards ensure optimum

robustness with reduced overall dimensions. The wide array of complementary items and specific assembly kits ensure extremely easy installation.







47 CVX 160 I



Selection tables

CVX 160 I STRUCTURES				
BOARDS WITH DIN RAILS, FRONT PANELS AND ALL FIXING ACCESSORIES INCLUDED				
STRUCTURES				
FUNCTIONAL DIM. (LxH)		600x600 mm	600x800 mm	600x1000 mm
GENERAL CHARACTERISTICS In: up to 160A Capacity: 24 modules* each row Installation: indoors Color: RAL 7035 grey		NO. EN 50022 MODULES (17,5 mm)		
		96	120	144
No. rows per No. modules		4 rows x 24 modules 	5 rows x 24 modules 	6 rows x 24 modules 
Front panels with window height:	(mm)	150	200 (first row) 150 (other rows)	200 (first and second row) 150 (other rows)
IP 30	 without door	GW 47 072	GW 47 073	GW 47 074
	IP 40	 glass door	GW 47 082	GW 47 083
 solid door		GW 47 087	GW 47 088	GW 47 089

* EN 50022 modules (17,5 mm)







CVX 160 I DISTRIBUTION BOARD CONFIGURATION								
Front panel height (mm)	FRONT PANELS				DIN RAIL KIT			DEVICE INSTALLATION KIT
	Panel with windows	Solid panels	Panel for instruments	Pairs of hinges	EN 50022 rail	Double EN 50022 rail (aluminium)	EN 50035 rail	Country specific standard
50	-	GW 47 173	-	-	-	-	-	-
150	GW 47 178	GW 47 174	-	GW 47 191	GW 47 251	GW 47 252	GW 47 253	-
200	GW 47 179	GW 47 175	Instrum. 72x72 GW 47 176 Instrum. 96x96 GW 47 177					
300	-	-	-	-	-	-	-	GW 47 263 (French)

COMPLEMENTARY ITEMS					
Earth bar	Wiring trunking supports	Nuts in cage	Module mask	Document wallet	Security lock with key
					
GW 47 193	GW 47 194 E	GW 47 195	GW 47 291	GW 46 447	GW 47 192

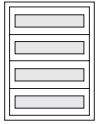
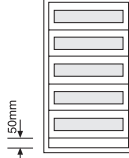
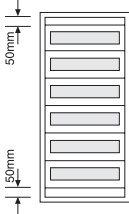


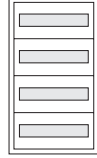
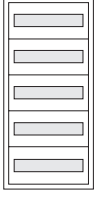
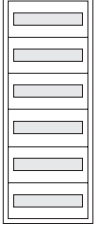
Board functional height (mm)	SPARE DOORS	
	ONLY FOR IP 40	
	glass door	solid door
600	 GW 47 111	 GW 47 121
800	GW 47 112	GW 47 122
1000	GW 47 113	GW 47 123

47 CVX 160 E

Selection tables

CVX 160 E STRUCTURES					
GENERAL CHARACTERISTICS		STRUCTURES			
In: up to 160 A Capacity: 24 modules per row Installation: indoors Colour: RAL 7035 grey		600x600 mm	600x800 mm	600x1000 mm	600x1200 mm
FUNCTIONAL DIM. (LxH)					
IP 30	Without door 	GW 47 001 E	GW 47 002 E	GW 47 003 E	GW 47 004 E
	Glass door 	GW 47 011 E	GW 47 012 E	GW 47 013 E	GW 47 014 E
IP 40	Solid door 	GW 47 021 E	GW 47 022 E	GW 47 023 E	GW 47 024 E
	Glass door 	GW 47 031 E	GW 47 032 E	GW 47 033 E	GW 47 034 E
IP 55	Solid door 	GW 47 041 E	GW 47 042 E	GW 47 043 E	GW 47 044 E
	Solid door 	-	GW 47 062 E	GW 47 063 E	GW 47 064 E

NOTE: the codes do not include DIN rail and front panels.

EXAMPLES OF BOARD CONFIGURATIONS					
NO. ROWS / NO. MODULES MAX	Pitch 150 mm				
	Pitch 200 mm				
		4 rows - 96 modules*	5 rows - 120 modules*	6 rows - 144 modules*	8 rows - 192 modules*
		3 rows - 72 modules*	4 rows - 96 modules*	5 rows - 120 modules*	6 rows - 144 modules*

* EN 50022 modules (17,5 mm)

CVX 160 E DISTRIBUTION BOARD CONFIGURATION

Front panels height (mm)	KIT FOR INSTALLATION OF DEVICE ON DIN RAIL AND FRONT PANELS					DIN RAIL KIT			MOULDED CASE INSTALLATION KIT	DEVICE INSTALLATION KIT
	Panels with window rail EN 50022	Panels with window	Solid panels	Panels for instruments	Pair of hinges	EN 50022 EN 50022	Double EN 50022 (aluminium)	EN 50035 EN 50035	For moulded-case circuit breakers	Country specific standard
50	-	-	GW 47 173	-	-	-	-	-	-	-
150	GW 47 171	GW 47 178	GW 47 174	-	GW 47 191	GW 47 181	GW 47 183	GW 47 182	GW 47 277 (MTX/M 160c) GW 47 278 (MTX/E 160) GW 47 279 (MTX/M 160c+BD 160c) GW 47 280 (MTX/E 160+BD 160)	-
200	GW 47 172	GW 47 179	GW 47 175	Instrum. 72x72 GW 47 176 Instrum. 96x96 GW 47 177						
300	-	-	-	-	-	-	-	-	-	GW 47 261 (Spanish) GW 47 262 (French)

COMPLEMENTARY ITEMS

Earth bar	Wiring trunking supports	Nuts cage	Cable gland cable glands	Module module coverings	Document wallet	Security lock with key	Earth terminal blocks
GW 47 193	GW 47 194 E	GW 47 195	GW 47 198 (Higher - Lower)	GW 47 291	GW 46 447	GW 47 192*	GW 45 538



*Not suitable for boards with IP65 protection degree

SPARE DOORS

Board functional height (mm)	IP 40		IP 55		IP 65
	Glass door	Solid door	Glass door	Solid door	Solid door
600					-
800	GW 47 111	GW 47 121	GW 47 131	GW 47 141	-
1000	GW 47 112	GW 47 122	GW 47 132	GW 47 142	GW 47 162
1200	GW 47 113	GW 47 123	GW 47 133	GW 47 143	GW 47 163
	GW 47 114	GW 47 124	GW 47 134	GW 47 144	GW 47 164







47 CVX 630 K

Selection tables




CVX 630 K WALL-MOUNTING STRUCTURES							
STRUCTURES							
FUNCTIONAL DIM. (LxH)		600x1000 mm	600x1200 mm	850x1000 mm		850x1200 mm	
Modular capacity	Pitch 150 mm	144 mod. (24x6)	192 mod. (24x8)	144 mod. (24x6)	216 mod. (36x6)	192 mod. (24x8)	288 mod. (36x8)
	Pitch 200 mm	120 mod. (24x5)	144 mod. (24x6)	120 mod. (24x5)	180 mod. (36x5)	144 mod. (24x6)	216 mod. (36x6)
Structures		GW 45 004	GW 45 005	GW 45 014		GW 45 015	
Sides		GW 45 024	GW 45 025	GW 45 024		GW 45 025	
Curved glass doors		GW 45 104	GW 45 105	GW 45 114		GW 45 115	
Solid doors		GW 45 124	GW 45 125	GW 45 134		GW 45 135	
Internal cable compartment		-	-	GW 45 034		GW 45 035	
Side-by-side installation kit		GW 45 504	GW 45 505	GW 45 504		GW 45 505	

CVX 630 K FLOOR-MOUNTING STRUCTURES



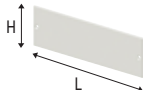











STRUCTURES

FUNCTIONAL DIM. (LxH)		600x1600 mm	600x1800 mm	600x2000 mm	850x1600 mm		850x1800 mm		850x2000 mm	
Modular capacity	Pitch 150 mm	240 mod. (24x10)	288 mod. (24x12)	312 mod. (24x13)	240 mod. (24x10)	360 mod. (36x10)	288 mod. (24x12)	432 mod. (36x12)	312 mod. (24x13)	468 mod. (36x13)
	Pitch 200 mm	192 mod. (24x8)	216 mod. (24x9)	240 mod. (24x10)	192 mod. (24x8)	288 mod. (36x8)	216 mod. (24x9)	324 mod. (36x9)	240 mod. (24x10)	360 mod. (36x10)
Structures		GW 45 007	GW 45 008	GW 45 009	GW 45 017		GW 45 018		GW 45 019	
Sides		GW 45 027	GW 45 028	GW 45 029	GW 45 027		GW 45 028		GW 45 029	
Curved glass doors		GW 45 107	GW 45 108	GW 45 109	GW 45 117		GW 45 118		GW 45 119	
Solid doors		GW 45 127	GW 45 128	GW 45 129	GW 45 137		GW 45 138		GW 45 139	
Internal cable compartment		-	-	-	GW 45 037		GW 45 038		GW 45 039	
Side-by-side installation kit		GW 45 507	GW 45 508	GW 45 509	GW 45 507		GW 45 508		GW 45 509	

EXTERNAL CABLE COMPARTMENT

FUNCTIONAL DIM. (LxH)	400x1600 mm	400x1800 mm	400x2000 mm	
External cable compartment		GW 45 047	GW 45 048	GW 45 049
Internal solid doors		GW 45 352	GW 45 353	GW 45 354
External solid doors		GW 45 147	GW 45 148	GW 45 149

47 CVX 630 K

CVX 630 K DISTRIBUTION BOARD CONFIGURATION				Panel height H (mm)	L = 400 mm (10 mod.)	L = 600 mm (24 mod.)	L = 850 mm (36 mod.)
DIN rail installation kit		DIN EN 50022 double - aluminium		150	GW 45 291	GW 45 201	GW 45 206
				200	GW 45 292	GW 45 202	GW 45 207
				300	GW 45 293	GW 45 203	GW 45 208
				300 (1)	-	GW 45 204	GW 45 209
Solid front panels				50	GW 45 341	GW 45 301	GW 45 321
				100	GW 45 342	GW 45 302	GW 45 322
				150	GW 45 343	GW 45 303	GW 45 323
				200	GW 45 344	GW 45 304	GW 45 324
				300	GW 45 345	GW 45 305	GW 45 325
				400	GW 45 346	GW 45 306	GW 45 326
				600	GW 45 347	GW 45 307	GW 45 327
Front panels for instruments				200	-	GW 45 374	GW 45 379
Front aerated panels				200	-	GW 45 362	GW 45 367
DIN rails		DIN EN 50022 double - aluminium		-	-	GW 45 401	GW 45 402
Profiles for fixing directly on frame		DIN EN 50022		-	-	GW 45 411	GW 45 416
		DIN EN 50035		-	-	GW 45 412	GW 45 417
Back-mounting plates				200	-	GW 45 421	GW 45 431
				300	GW 45 406	-	-
				400	-	GW 45 422	GW 45 432
				600	-	GW 45 423	GW 45 433
Earth terminal blocks				-	GW 45 537	GW 45 538	-
Earth bar				-	-	GW 45 534	GW 45 535
Horizontal dividers				-	-	GW 45 451	GW 45 452

(1) Specific version for MTX/M 160c, MTX/E 160 or MTX/M 250 combined with an "L"-shaped add-on residual current device.

KIT OF MTX MOULDED CASE CIRCUIT BREAKERS AND MSS SWITCH DISCONNECTOR FOR CVX 630 K DISTRIBUTION BOARDS
FIXED VERSION (FRONT TERMINALS)
L= 400 mm (10 modules)
Vertical position

Kit for MTX with add-on RCD

Kit for MTX/MSS

Type of circuit breakers	Horizontal position			Vertical position		
	N. Poles	Code	Panel height H (mm)	N. Poles	Code	Panel height H (mm)
MTX/M 160c	4P	GW 45 248	300	3-4P	GW 45 243	200
MTX/E 160	-	-	-	3-4P	GW 45 244	200
MTX/M 250	4P	GW 45 249	400	3-4P	GW 45 245	300
MTX/E/M 320	-	-	-	3-4P	GW 45 246	400
MTXM 400 - MTX/E/M 630	-	-	-	3-4P	GW 45 247	400
MSS 250	-	-	-	3-4P	GW 45 298	300
MSS 630	-	-	-	3-4P	GW 45 299	500

FIXED VERSION (FRONT TERMINALS)
L= 600 mm (24 modules)
Horizontal position
Vertical position

Kit for MTX/MSS




Kit for MTX with add-on RCD




Kit for MTX/MSS

Type of circuit breakers	Horizontal position			Vertical position					
	N. Poles	Code	Panel height H (mm)	N. Poles	Code	Panel height H (mm)	N. Poles	Code	Panel height H (mm)
MTX/M 160c	3-4P	GW 45 271	200	4P	GW 45 281	200	3-4P		200
MTX/E 160	3-4P	GW 45 272	200	4P	GW 45 282	200	3-4P		200
MTX/M 250	3-4P	GW 45 273	200	4P	GW 45 283	200	3-4P	GW 45 236	300
MTX/E/M 320	3-4P	GW 45 274	200	4P	GW 45 284	200	3-4P	GW 45 237	400
MTXM 400 - MTX/E/M 630	3-4P	GW 45 275	300	4P	GW 45 285	300	3-4P	GW 45 238	400
MSS 250	3-4P	GW 45 251	300	-	-	-	3-4P	GW 45 251	300
MSS 630	3-4P	GW 45 256	400	-	-	-	3-4P	GW 45 252	500







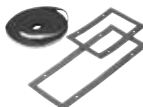


* Double insulation installation kit.

47 CVX 630 K

FIXED VERSION (FRONT TERMINALS)									
L= 850 mm (36 modules)									
Horizontal position						Vertical position			
									
Kit for MTX/MSS			Kit for MTX with add-on RCD			Kit for MTX/MSS			
Type of circuit breakers	N. Poles	Code	Panel height H (mm)	N. Poles	Code	Panel height H (mm)	N. Poles	Code	Panel height H (mm)
MTX/M 160c	-	-	-	4P	GW 45 286	200	-	-	-
MTX/E 160	-	-	-	4P	GW 45 287	200	-	-	-
MTX/M 250	3-4P	GW 45 276	200	4P	GW 45 288	200	-	-	-
MTX/E/M 320	3-4P	GW 45 277	200	4P	GW 45 289	200	-	-	-
MTXM 400 - MTX/E/M 630	3-4P	GW 45 278	300	4P	GW 45 290	300	-	-	-
MSS 250	3-4P	GW 45 253	300	-	-	-	3-4P	GW 45 253	300
MSS 630	3-4P	GW 45 257	400	-	-	-	3-4P	GW 45 254	500

KIT OF EQUIPPED MTX MOULDED-CASE CIRCUIT BREAKERS FOR CVX 630 K DISTRIBUTION BOARDS									
FIXED VERSION (FRONT TERMINALS)									
L= 600 mm (24 modules)									
Horizontal position						Vertical position			
									
Kit for MTX rotary handle			Kit for MTX motor control			Kit for interlocked MTX lever control			
Type of circuit breakers	N. Poles	Code	Panel height H (mm)	N. Poles	Code	Panel height H (mm)	N. Poles	Code	Panel height H (mm)
MTX/M 160c	3-4P	GW 45 261	200	3-4P	GW 45 266	200	3-4P	GW 45 601 (1)	300
MTX/E 160	3-4P	GW 45 262	200	3-4P	GW 45 267	200	3-4P	GW 45 601 (1)	300
MTX/M 250	3-4P	GW 45 263	200	3-4P	GW 45 268	200	3-4P	GW 45 601 (1)	300









(1) Possibility of frontal interlock between any two circuit breakers of the following type: MTX/M 160c - MTX/E 160 - MTX/M 250.

COMPLEMENTARY ITEMS (*)			
Depth adapter		GW 49 209	
Pair of hinges		GW 45 532	
Pair of supports for wiring trunkings		GW 45 521	
Pair of supports for horizontal terminal block		GW 45 526	
Pair of supports for vertical terminal block		GW 45 527 (internal cable compartment)	
		GW 45 528 (external cable compartment)	
DIN profiles L = 2 meters		EN 50022 (DIN35)	GW 47 691
		EN 50035 (G32)	GW 47 692
		EN 50024 (C30)	GW 47 693
IP43 Gasket		GW 45 531	
Rotating handle with key		GW 47 494	
4 fixing brackets (for wall-mounting boards)		GW 45 536	





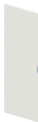



(*) For further accessories, refer to the COMPLEMENTARY ITEMS section.

47 CVX 630 M




Selection tables

CVX 630 M WALL-MOUNTING STRUCTURES							
STRUCTURES							
FUNCTIONAL DIM. (LxH)	600x1000 mm	600x1200 mm	850x1000 mm		850x1200 mm		
Modular capacity	Pitch 150 mm	144 mod. (24x6)	192 mod. (24x8)	144 mod. (24x6)	216 mod. (36x6)	192 mod. (24x8)	288 mod. (36x8)
	Pitch 200 mm	120 mod. (24x5)	144 mod. (24x6)	120 mod. (24x5)	180 mod. (36x5)	144 mod. (24x6)	216 mod. (36x6)
Structures		GW 45 054	GW 45 055	GW 45 064		GW 45 065	
Solid side panels		GW 45 074	GW 45 075	GW 45 074		GW 45 075	
Aerated side panels		GW 45 394	GW 45 395	GW 45 394		GW 45 395	
Curved glass doors		GW 45 154	GW 45 155	GW 45 164		GW 45 165	
Solid doors		GW 45 174	GW 45 175	GW 45 184		GW 45 185	
Internal cable compartment		-	-	GW 45 084		GW 45 085	
Side-by-side installation kit	Plates 	GW 45 533	GW 45 533	GW 45 533		GW 45 533	
	IP55 Gasket 	GW 47 473	GW 47 473	GW 47 473		GW 47 473	



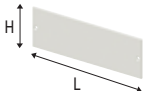











CVX 630 M FLOOR-MOUNTING STRUCTURES

STRUCTURES										
FUNCTIONAL DIM. (LxH)		600x1600 mm	600x1800 mm	600x2000 mm	850x1600 mm		850x1800 mm		850x2000 mm	
Modular capacity	Pitch 150 mm	240 mod. (24x10)	288 mod. (24x12)	312 mod. (24x13)	240 mod. (24x10)	360 mod. (36x10)	288 mod. (24x12)	432 mod. (36x12)	312 mod. (24x13)	468 mod. (36x13)
	Pitch 200 mm	192 mod. (24x8)	216 mod. (24x9)	240 mod. (24x10)	192 mod. (24x8)	288 mod. (36x8)	216 mod. (24x9)	324 mod. (36x9)	240 mod. (24x10)	360 mod. (36x10)
Structures		GW 45 057	GW 45 058	GW 45 059	GW 45 067		GW 45 068		GW 45 069	
Solid side panels		GW 45 077	GW 45 078	GW 45 079	GW 45 077		GW 45 078		GW 45 079	
Aerated side panels		GW 45 397	GW 45 398	GW 45 399	GW 45 397		GW 45 398		GW 45 399	
Curved glass doors		GW 45 157	GW 45 158	GW 45 159	GW 45 167		GW 45 168		GW 45 169	
Solid doors		GW 45 177	GW 45 178	GW 45 179	GW 45 187		GW 45 188		GW 45 189	
Internal cable compartment		-	-	-	GW 45 087		GW 45 088		GW 45 089	
Side-by-side installation kit	Plates 	GW 47 472	GW 47 472	GW 47 472	GW 47 472		GW 47 472		GW 47 472	
	IP55 Gasket 	GW 47 473	GW 47 473	GW 47 473	GW 47 473		GW 47 473		GW 47 473	

EXTERNAL CABLE COMPARTMENT



FUNCTIONAL DIM. (LxH)	400x1600 mm	400x1800 mm	400x2000 mm
External cable compartment 	GW 45 097	GW 45 098	GW 45 099
Internal solid doors 	GW 45 352	GW 45 353	GW 45 354
External solid doors 	GW 45 197	GW 45 198	GW 45 199




47 CVX 630 M

CVX 630 M DISTRIBUTION BOARD CONFIGURATION						
			Panel height H (mm)	L = 400 mm (10 mod.)	L = 600 mm (24 mod.)	L = 850 mm (36 mod.)
DIN rail installation kit		DIN EN 50022 double - aluminium 	150	GW 45 291	GW 45 201	GW 45 206
			200	GW 45 292	GW 45 202	GW 45 207
			300	GW 45 293	GW 45 203	GW 45 208
			300 (1)	-	GW 45 204	GW 45 209
Solid front panels			50	GW 45 341	GW 45 301	GW 45 321
			100	GW 45 342	GW 45 302	GW 45 322
			150	GW 45 343	GW 45 303	GW 45 323
			200	GW 45 344	GW 45 304	GW 45 324
			300	GW 45 345	GW 45 305	GW 45 325
			400	GW 45 346	GW 45 306	GW 45 326
			600	GW 45 347	GW 45 307	GW 45 327
Front panels for instruments			200	-	GW 45 374	GW 45 379
Front aerated panels			200	-	GW 45 362	GW 45 367
DIN rails		DIN EN 50022 double - aluminium 	-	-	GW 45 401	GW 45 402
Profiles for fixing directly on frame		DIN EN 50022 	-	-	GW 45 411	GW 45 416
		DIN EN 50035 	-	-	GW 45 412	GW 45 417
Back-mounting plates			200	-	GW 45 421	GW 45 431
			300	GW 45 406	-	-
			400	-	GW 45 422	GW 45 432
			600	-	GW 45 423	GW 45 433
Earth terminal blocks			-	GW 45 537	GW 45 538	-
Earth bar			-	-	GW 45 534	GW 45 535
Horizontal dividers			-	-	GW 45 453	GW 45 454


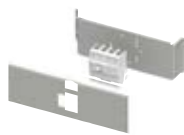

(1) Specific version for MTX/M 160c, MTX/E 160, MTX/M 250 combined with an "L"-shaped add-on residual current device.

KIT OF MTX MOULDED-CASE CIRCUIT BREAKERS AND MSS SWITCH DISCONNECTOR FOR CVX 630 M DISTRIBUTION BOARDS

FIXED VERSION (front terminals)						
L= 400 mm (10 modules)						
Vertical position						
 Kit for MTX with add-on RCD			 Kit for MTX/MSS			
Type of circuit breakers	N. Poles	Code	Panel height H (mm)	N. Poles	Code	Panel height H (mm)
MTX/M 160c	4P	GW 45 248	300	3-4P	GW 45 243	200
MTX/E 160	-	-	-	3-4P	GW 45 244	200
MTX/M 250	4P	GW 45 249	400	3-4P	GW 45 245	300
MTX/E/M 320	-	-	-	3-4P	GW 45 246	400
MTXM 400 - MTX/E/M 630	-	-	-	3-4P	GW 45 247	400
MSS 250	-	-	-	3-4P	GW 45 298	300
MSS 630	-	-	-	3-4P	GW 45 299	500




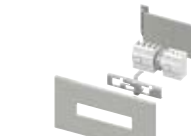
FIXED VERSION (front terminals)									
L= 600 mm (24 modules)									
Horizontal position					Vertical position				
 Kit for MTX/MSS			 Kit for MTX with add-on RCD			 Kit for MTX/MSS			
Type of circuit breakers	N. Poles	Code	Panel height H (mm)	N. Poles	Code	Panel height H (mm)	N. Poles	Code	Panel height H (mm)
MTX/M 160c	3-4P	GW 45 271	200	4P	GW 45 281	200	3-4P	-	200
MTX/E 160	3-4P	GW 45 272	200	4P	GW 45 282	200	3-4P	-	200
MTX/M 250	3-4P	GW 45 273	200	4P	GW 45 283	200	3-4P	GW 45 236	300
MTX/E/M 320	3-4P	GW 45 274	200	4P	GW 45 284	200	3-4P	GW 45 237	400
MTXM 400 - MTX/E/M 630	3-4P	GW 45 275	300	4P	GW 45 285	300	3-4P	GW 45 238	400
MSS 250	3-4P	GW 45 251	300	-	-	-	3-4P	GW 45 251	300
MSS 630	3-4P	GW 45 256	400	-	-	-	3-4P	GW 45 252	500

* Double insulation installation kit.









FIXED VERSION (front terminals)									
L= 850 mm (36 modules)									
Horizontal position					Vertical position				
 Kit for MTX/MSS			 Kit for MTX with add-on RCD			 Kit for MTX/MSS			
Type of circuit breakers	N. Poles	Code	Panel height H (mm)	N. Poles	Code	Panel height H (mm)	N. Poles	Code	Panel height H (mm)
MTX/M 160c	-	-	-	4P	GW 45 286	200	-	-	-
MTX/E 160	-	-	-	4P	GW 45 287	200	-	-	-
MTX/M 250	3-4P	GW 45 276	200	4P	GW 45 288	200	-	-	-
MTX/E/M 320	3-4P	GW 45 277	200	4P	GW 45 289	200	-	-	-
MTXM 400 - MTX/E/M 630	3-4P	GW 45 278	300	4P	GW 45 290	300	-	-	-
MSS 250	3-4P	GW 45 253	300	-	-	-	3-4P	GW 45 253	300
MSS 630	3-4P	GW 45 257	400	-	-	-	3-4P	GW 45 254	500

47 CVX 630 M

KIT OF EQUIPPED MTX MOULDED CASE CIRCUIT BREAKERS FOR CVX 630 M DISTRIBUTION BOARDS

FIXED VERSION (front terminals)												
L= 600 mm (24 modules)												
Horizontal position										Vertical position		
 Kit for MTX rotary handle			 Kit for MTX motor control			 Kit for interlocked MTX lever control			 Kit for interlocked MTX lever control			
Type of circuit breakers	N. Poles	Code	Panel height H (mm)	N. Poles	Code	Panel height H (mm)	N. Poles	Code	Panel height H (mm)	N. Poles	Code	Panel height H (mm)
MTX/M 160c	3-4P	GW 45 261	200	3-4P	GW 45 266	200	-	-	-	3-4P	GW 45 601 (1)	300
MTX/E 160	3-4P	GW 45 262	200	3-4P	GW 45 267	200	-	-	-	3-4P	GW 45 601 (1)	300
MTX/M 250	3-4P	GW 45 263	200	3-4P	GW 45 268	200	3-4P	GW 45 602	500	3-4P	GW 45 601 (1)	300
MTX/E/M 320	3-4P	GW 45 264	200	-	-	-	3-4P	GW 45 603	600	-	-	-
MTXM 400 MTX/E/M 630	3-4P	GW 45 265	300	-	-	-	3-4P	GW 45 604	600	-	-	-

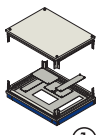

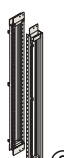


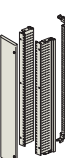
(1) Possibility of frontal interlock between any two circuit breakers of the following types: MTX/M 160c - MTX/E 160 - MTX/M 250.

COMPLEMENTARY ITEMS (*)			
Depth adapter		GW 49 209	
Pair of hinges		GW 45 532	
Pair of supports for wiring trunkings		GW 45 521	
Pair of supports for horizontal terminal block		GW 45 526	
Pair of supports for vertical terminal block		GW 45 527 (internal cable compartment)	
		GW 45 528 (external cable compartment)	
DIN profiles L = 2 meters		EN 50022 (DIN35)	GW 47 691
		EN 50035 (G32)	GW 47 692
		EN 50024 (C30)	GW 47 693
Rotating handle with key		GW 47 494	
2 fixing brackets (for floor-mounting boards)		GW 47 491	

(*) For further accessories, refer to the COMPLEMENTARY ITEMS section.

47 CVX 1600

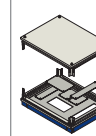




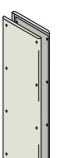
Selection tables

CVX 1600 STRUCTURES														
STRUCTURE														
Functional dimensions			External overall dimensions*			Real internal maximum dimensions**			Base/Head/Skirting	Uprights	Functional frames for non-separated enclosures		Functional frames for separated enclosures	
H (mm)	L (mm)	D (mm)	H (mm)	L (mm)	D (mm)	H (mm)	L (mm)	D (mm)	 ①	 ②	 ③		 ③	
											Open frame	Internal compartment	Closed frame	Internal compartment
1800	400	400	2031	538	389	1800	390	225	GW 49 001	GW 49 011	GW 49 021	-	GW 49 023	-
		600			664			500	GW 49 002			-		-
		800			864			700	GW 49 003			-		-
	600	400		748	389		600	225	GW 49 004			-		-
		600			664			500	GW 49 005			-		-
		800			864			700	GW 49 006			-		-
	850	400		948	389		800	225	GW 49 007			-		-
		600			664			500	GW 49 008			GW 49 112		GW 49 111
		800			864			700	GW 49 009			-		-
2000	400	400	2231	538	389	2000	390	225	GW 49 001	GW 49 012	GW 49 022	-	GW 49 024	-
		600			664			500	GW 49 002			-		-
		800			864			700	GW 49 003			-		-
	600	400		748	389		600	225	GW 49 004			-		-
		600			664			500	GW 49 005			-		-
		800			864			700	GW 49 006			-		-
	850	400		948	389		800	225	GW 49 007			-		-
		600			664			500	GW 49 008			GW 49 114		GW 49 113
		800			864			700	GW 49 009			-		-

NB: for more details about the real overall dimensions, refer to the dimension tables on the technical pages.

*Dimensions including plinth, 2 lateral panels, rear panel and curved glass door.

**Devices installation available space, it could change according to the internal configuration.

EXTERNAL CABLE COMPARTMENT														
Functional dimensions			External overall dimensions*			Real internal maximum dimensions**			Base/Head/Skirting	Uprights	Internal door IP 31/41	External front door IP 65	Aerated side panel IP 41	Solid side panel IP 65
H (mm)	L (mm)	D (mm)	H (mm)	L (mm)	D (mm)	H (mm)	L (mm)	D (mm)	 ①	 ②		 ⑥	 ④	 ④
1800	300	400	2031	420	362	1800	300	225	GW 49 115	GW 49 011	GW 49 121	GW 49 123	-	GW 49 041
		600			637			500	GW 49 116				GW 49 031	GW 49 042
		800			837			700	GW 49 117				GW 49 032	GW 49 043
2000	300	400	2231	420	362	2000	300	225	GW 49 115	GW 49 012	GW 49 122	GW 49 124	-	GW 49 044
		600			637			500	GW 49 116				GW 49 033	GW 49 045
		800			837			700	GW 49 117				GW 49 034	GW 49 046

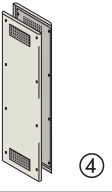
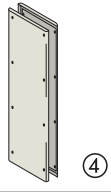
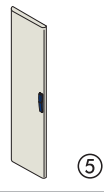
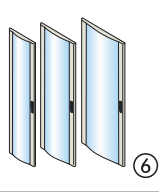

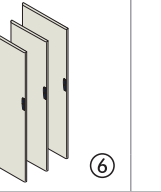
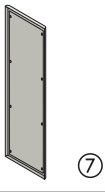

NB: for more details about the real overall dimensions, refer to the dimension tables on the technical pages.

*Dimensions including a plinth, rear panel and external front door.


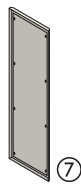

**Devices installation available space, it could change according to the internal configuration.

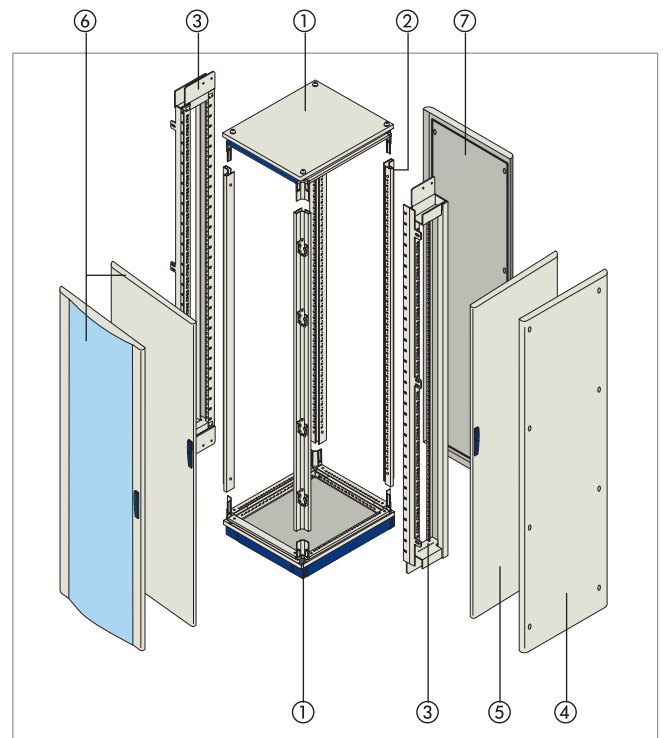
CVX 1600 STRUCTURES

STRUCTURE

Side covers			Front and rear covers IP 65				Finish profile IP 31
							
Aerated side panel IP 41	Side panel IP 65	Side door IP 65	Glass door 12/24/36 mod.	Protruding glass door 24/36 mod.	Solid door 12/24/36 mod.	Rear panel	
-	GW 49 041	GW 49 051	GW 49 061	-	GW 49 081	GW 49 091	See the technical commercial tables for the choice available
GW 49 031	GW 49 042	GW 49 053		-			
GW 49 032	GW 49 043	GW 49 055		-			
-	GW 49 041	GW 49 051	GW 49 063	GW 49 071	GW 49 083	GW 49 092	
GW 49 031	GW 49 042	GW 49 053					
GW 49 032	GW 49 043	GW 49 055					
-	GW 49 041	GW 49 051	GW 49 065	GW 49 073	GW 49 085	GW 49 093	
GW 49 031	GW 49 042	GW 49 053					
GW 49 032	GW 49 043	GW 49 055					
-	GW 49 044	GW 49 052	GW 49 062	-	GW 49 082	GW 49 094	
GW 49 033	GW 49 045	GW 49 054		-			
GW 49 034	GW 49 046	GW 49 056		-			
-	GW 49 044	GW 49 052	GW 49 064	GW 49 072	GW 49 084	GW 49 095	
GW 49 033	GW 49 045	GW 49 054					
GW 49 034	GW 49 046	GW 49 056					
-	GW 49 044	GW 49 052	GW 49 066	GW 49 074	GW 49 086	GW 49 096	
GW 49 033	GW 49 045	GW 49 054					
GW 49 034	GW 49 046	GW 49 056					

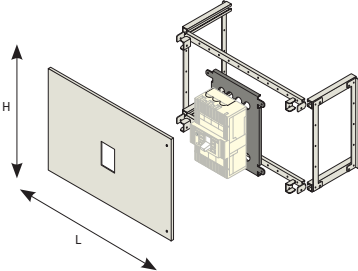
EXTERNAL CABLE COMPARTMENT

Side door IP 65	Rear panel IP65	Finish profile IP 31
		
GW 49 051	GW 49 097	See the technical commercial tables for the choice available
GW 49 053		
GW 49 055	GW 49 098	
GW 49 052		
GW 49 054		
GW 49 056		



47 CVX 1600

KIT OF MTX, MTS MOULDED-CASE CIRCUIT BREAKERS AND MSS SWITCH DISCONNECTORS FOR NON-SEPARATED CVX 1600 DISTRIBUTION CABINETS

			NON-SEPARATED DISTRIBUTION CABINETS							
			FIXED VERSION							
			Horizontal kit		Vertical kit		Horizontal kit		Horizontal kit	
			LEVER CONTROL			DIRECT ROTATING HANDLE		MOTOR CONTROL	INTERLOCKED	MOTORISED INTERLOCKED
MTX rear and front couplings	Panel height (mm)	N. poles	L=400mm (12 mod.)	L=600mm (24 mod.)	L=850mm (36 mod.)	L=600mm (24 mod.)	L=850mm (36 mod.)	L=600mm (24 mod.)	L=600mm (24 mod.)	L=600mm (24 mod.)
HORIZONTAL INSTALLATION										
MTX/M 160c	200	3-4P	GW 49 183	GW 49 861	-	GW 49 866	-	GW 49 861	-	-
MTX/M 160c with "L" RCD	200	4P	GW 49 186	GW 49 863	GW 49 926	-	-	-	-	-
MTX/E 160	200	3-4P	GW 49 184	GW 49 862	-	GW 49 867	-	GW 49 862	-	-
MTX/E 160 with "L" RCD	200	4P	GW 49 187 (1)	GW 49 864 (1)	GW 49 927 (1)	-	-	-	-	-
MTX/M 250	200	3-4P	GW 49 188	GW 49 868	GW 49 928	GW 49 869	-	GW 49 868	-	-
	500	3-4P	-	-	-	-	-	-	GW 49 875	GW 49 875
MTX/M 250 with "L" RCD	300	4P	GW 49 192 (1)	GW 49 870 (1)	GW 49 929 (1)	-	-	-	-	-
MTX/E/M 320	200	3-4P	GW 49 193	GW 49 876	-	GW 49 876	-	GW 49 876	-	-
	300	3-4P	-	-	-	-	-	-	-	-
	600	3-4P	-	-	-	-	-	-	GW 49 884	GW 49 884
MTX/E/M 320 with RCD	200	4P	-	GW 49 880	-	-	-	-	-	-
MTXM 400 MTX/E/M 630 (400A)	300	3-4P	GW 49 195	GW 49 888	GW 49 931	GW 49 888	-	GW 49 888	-	-
	600	3-4P	GW 49 195	GW 49 888	GW 49 931	GW 49 888	-	GW 49 888	-	-
MTXM 400 MTX/E/M 630	600	3-4P	-	-	-	-	-	-	GW 49 904	GW 49 904
MTXM 400 - MTX/E/M 630 with RCD	300	4P	-	GW 49 902	GW 49 933	-	-	-	-	-
MTXM 800	500	3-4P	-	GW 49 906	-	GW 49 908	-	GW 49 909	-	-
MTX/E/M 1000	800	3-4P	-	-	-	-	-	-	GW 49 911 (2)	GW 49 912 (2)
	600	3-4P	-	GW 49 311 (2)	-	GW 49 312 (2)	-	GW 49 313 (2)	-	-
MTSE/M 1600	800	4P	-	-	-	-	-	-	GW 49 314	GW 49 315
	800	4P	-	-	-	-	-	-	-	-
MSS 250	300	3-4P	-	-	-	GW 49 491	GW 49 494	-	-	-
MSS 630	400	3-4P	-	-	-	GW 49 492	GW 49 495	-	-	-
VERTICAL INSTALLATION										
MTX/M 250	300	3-4P	GW 49 189	GW 49 873	GW 49 930	-	-	-	-	-
	400	3-4P	-	-	-	-	-	-	-	-
MTX/E/M 320	400	3-4P	GW 49 194	GW 49 877	-	GW 49 877	-	GW 49 877	-	-
	500	3-4P	-	-	-	-	-	-	-	-
MTX/E/M 320 with RCD	500	4P	-	GW 49 881	-	-	-	-	-	-
MTXM 400 MTX/E/M 630 (400A)	400	3-4P	GW 49 196	GW 49 895	GW 49 932	GW 49 895	-	GW 49 895	-	-
	500	3-4P	GW 49 196	GW 49 895	GW 49 932	GW 49 895	-	GW 49 895	-	-
MTXM 400 MTX/E/M 630	500	3-4P	-	-	-	-	-	-	-	-
MTXM 400 - MTX/E/M 630 with RCD	500	4P	GW 49 197	GW 49 903	GW 49 934	-	-	-	-	-
MTXM 800 MTX/E/M 1000	500	3-4P	-	GW 49 915	GW 49 935	GW 49 917	-	GW 49 918	-	-
MTSE/M 1600	700	3-4P	-	GW 49 317	GW 49 340	GW 49 319	-	GW 49 320	-	-
MSS 250	300	3-4P	-	-	-	GW 49 491	GW 49 494	-	-	-
MSS 630	500	3-4P	-	-	-	GW 49 493	GW 49 496	-	-	-

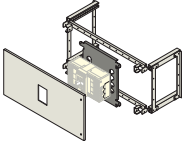
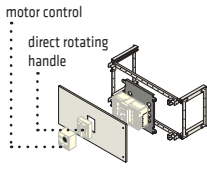
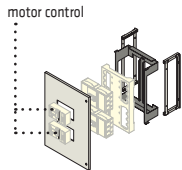
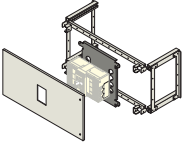
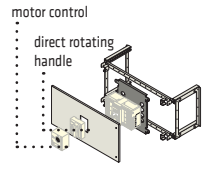
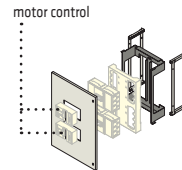
(1) front coupling only

(2) rear coupling only

Notes: the MSS 125 and MSS 160 switch disconnectors can be installed on the DIN rail kits

KIT OF MTX, MTS MOULDED-CASE CIRCUIT BREAKERS AND MSS SWITCH DISCONNECTORS FOR NON-SEPARATED CVX 1600 DISTRIBUTION CABINETS

NON-SEPARATED DISTRIBUTION CABINETS

PLUG-IN VERSION						WITH DRAWABLE VERSION					
 Horizontal kit		 Horizontal kit		 Horizontal kit		 Horizontal kit		 Horizontal kit		 Horizontal kit	
LEVER CONTROL		DIRECT ROTATING HANDLE	MOTOR CONTROL	INTERLOCKED	MOTORISED INTERLOCKED	LEVER CONTROL		DIRECT ROTATING HANDLE	MOTOR CONTROL	INTERLOCKED	MOTORISED INTERLOCKED
L=400mm (12 mod.)	L=600mm (24 mod.)	L=600mm (24 mod.)	L=600mm (24 mod.)	L=600mm (24 mod.)	L=600mm (24 mod.)	L=400mm (12 mod.)	L=600mm (24 mod.)	L=600mm (24 mod.)	L=600mm (24 mod.)	L=600mm (24 mod.)	L=600mm (24 mod.)

HORIZONTAL INSTALLATION

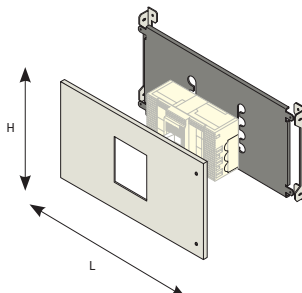
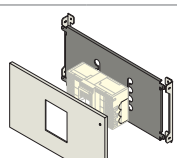
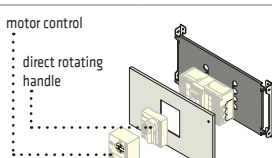
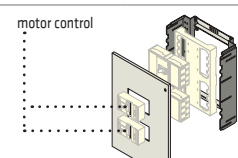
-	-	-	-	-	-	-	-	-	-	-	-
-	-	-	-	-	-	-	-	-	-	-	-
GW 49 185	GW 49 865	-	-	-	-	-	-	-	-	-	-
-	-	-	-	-	-	-	-	-	-	-	-
GW 49 190	GW 49 872	GW 49 871	GW 49 872	-	-	-	-	-	-	-	-
-	-	-	-	-	-	-	-	-	-	-	-
-	-	-	-	-	-	-	-	-	-	-	-
-	GW 49 878	-	-	-	-	-	-	-	-	-	-
-	-	-	-	-	-	GW 49 882	GW 49 882	GW 49 886	-	-	-
-	-	-	-	GW 49 884	GW 49 884	-	-	-	GW 49 885	GW 49 885	-
-	-	-	-	-	-	-	-	-	-	-	-
-	GW 49 889	-	-	-	-	-	GW 49 891	GW 49 891	GW 49 893	-	-
-	GW 49 890	-	-	-	-	-	GW 49 892	GW 49 892	GW 49 894	-	-
-	-	-	-	GW 49 904	GW 49 904	-	-	-	-	GW 49 905	GW 49 905
-	-	-	-	-	-	-	-	-	-	-	-
-	-	-	-	-	-	-	GW 49 907	GW 49 907	GW 49 910	-	-
-	-	-	-	-	-	-	-	-	-	GW 49 913	GW 49 914
-	-	-	-	-	-	-	-	-	-	-	-
-	-	-	-	-	-	-	-	-	-	GW 49 316	GW 49 315
-	-	-	-	-	-	-	-	-	-	-	-
-	-	-	-	-	-	-	-	-	-	-	-

VERTICAL INSTALLATION

-	-	-	-	-	-	-	-	-	-	-	-
GW 49 191	GW 49 874	-	-	-	-	-	-	-	-	-	-
-	GW 49 879	-	-	-	-	-	GW 49 883	GW 49 883	GW 49 887	-	-
-	-	-	-	-	-	-	-	-	-	-	-
-	-	-	-	-	-	-	-	-	-	-	-
-	GW 49 896	-	-	-	-	-	GW 49 898	GW 49 898	GW 49 900	-	-
-	-	-	-	-	-	-	-	-	-	-	-
-	GW 49 897	-	-	-	-	-	GW 49 899	GW 49 899	GW 49 901	-	-
-	-	-	-	-	-	-	-	-	-	-	-
-	-	-	-	-	-	-	GW 49 916	GW 49 916	GW 49 919	-	-
-	-	-	-	-	-	-	GW 49 318	GW 49 318	GW 49 322	-	-
-	-	-	-	-	-	-	-	-	-	-	-
-	-	-	-	-	-	-	-	-	-	-	-

47 CVX 1600

KIT OF MTX AND MTS MOULDED-CASE CIRCUIT BREAKERS FOR SEPARATED CVX 1600 DISTRIBUTION CABINETS

			SEPARATED DISTRIBUTION BOARDS						
			FIXED VERSION						
			 Horizontal kit		 Horizontal kit		 Horizontal kit		
			LEVER CONTROL		DIRECT ROTATING HANDLE	MOTOR CONTROL	INTERLOCKED	MOTORISED INTERLOCKED	
MTX rear coupling kit	Panel height (mm)	N. poles	L=400mm (12 mod.)	L=600mm (24 mod.)	L=600mm (24 mod.)	L=600mm (24 mod.)	L=600mm (24 mod.)	L=600mm (24 mod.)	
HORIZONTAL INSTALLATION									
MTX/M 160c	200	3-4P	GW 49 584	GW 49 941	-	GW 49 941	-	-	
MTX/M 160c with "L" RCD	200	4P	-	GW 49 943	-	-	-	-	
MTX/E 160	200	3-4P	GW 49 585	GW 49 942	GW 49 945	GW 49 942	-	-	
MTX/M 250	200	3-4P	GW 49 587	GW 49 946	GW 49 947	GW 49 946	-	-	
	600	3-4P	-	-	-	-	GW 49 950	GW 49 950	
MTX/E/M 320	200	3-4P	GW 49 589	GW 49 951	GW 49 951	GW 49 954	-	-	
	300	3-4P	-	-	-	-	-	-	
	600	3-4P	-	-	-	-	GW 49 958	GW 49 958	
MTXM 400 MTX/E/M 630 (400A)	300	3-4P	GW 49 592	GW 49 963	GW 49 963	GW 49 970	-	-	
MTXM 400 MTX/E/M 630	300	3-4P	GW 49 592	GW 49 963	GW 49 963	GW 49 970	-	-	
	600	3-4P	-	-	-	-	GW 49 976	GW 49 976	
MTXM 800 MTX/E/M 1000	500	3-4P	-	GW 49 980	GW 49 982	GW 49 981	-	-	
	800	3-4P	-	-	-	-	GW 49 985	GW 49 986	
MTSE/M 1600	600	3-4P	-	GW 49 432	GW 49 433	GW 49 434	-	-	
	800	4P	-	-	-	-	GW 49 435	GW 49 436	
VERTICAL INSTALLATION									
MTX/E/M 320	400	3-4P	GW 49 590	GW 49 955	-	-	-	-	
MTXM 400 MTX/E/M 630 (400A)	400	3-4P	GW 49 593	GW 49 971	-	-	-	-	
MTXM 400 MTX/E/M 630	400	3-4P	GW 49 593	GW 49 971	-	-	-	-	
MTXM 800 MTX/E/M 1000	500	3-4P	-	GW 49 989	GW 49 991 (1)	GW 49 992 (1)	-	-	
MTSE/M 1600	800	3-4P	-	GW 49 439	GW 49 441 (1)	GW 49 442 (1)	-	-	

(1) only form 2

KIT OF MTX AND MTS MOULDED-CASE CIRCUIT BREAKERS FOR SEPARATED CVX 1600 DISTRIBUTION CABINETS

SEPARATED DISTRIBUTION BOARDS

PLUG-IN VERSION						WITH DRAWABLE VERSION					
Vertical kit		Horizontal kit		Horizontal kit		Horizontal kit		Horizontal kit		Horizontal kit	
LEVER CONTROL		DIRECT ROTATING HANDLE	MOTOR CONTROL	INTERLOCKED	MOTORISED INTERLOCKED	LEVER CONTROL		DIRECT ROTATING HANDLE	MOTOR CONTROL	INTERLOCKED	MOTORISED INTERLOCKED
L=400mm (12 mod.)	L=600mm (24 mod.)	L=600mm (24 mod.)	L=600mm (24 mod.)	L=600mm (24 mod.)	L=600mm (24 mod.)	L=400mm (12 mod.)	L=600mm (24 mod.)	L=600mm (24 mod.)	L=600mm (24 mod.)	L=600mm (24 mod.)	L=600mm (24 mod.)


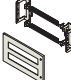
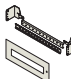
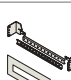
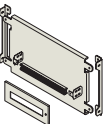
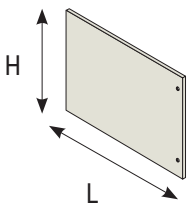
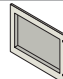
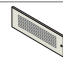
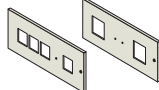
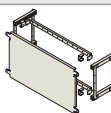
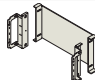
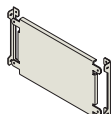
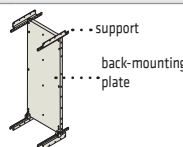
HORIZONTAL INSTALLATION

-	-	-	-	-	-	-	-	-	-	-	-
-	-	-	-	-	-	-	-	-	-	-	-
GW 49 586	GW 49 944	-	-	-	-	-	-	-	-	-	-
GW 49 588	GW 49 948	GW 49 949	-	-	-	-	-	-	-	-	-
-	-	-	-	-	-	-	-	-	-	-	-
-	GW 49 952	GW 49 952	-	-	-	-	-	-	-	-	-
-	-	-	-	-	-	-	GW 49 953	GW 49 953	GW 49 960 (1)	-	-
-	-	-	-	GW 49 958	GW 49 959	-	-	-	-	GW 49 961	GW 49 962
-	GW 49 964	GW 49 964	-	-	-	-	GW 49 966	GW 49 966	GW 49 968 (1)	-	-
-	GW 49 965	GW 49 965	-	-	-	-	GW 49 967	GW 49 967	GW 49 969 (1)	-	-
-	-	-	-	GW 49 976	GW 49 977	-	-	-	-	GW 49 978	GW 49 979
-	-	-	-	-	-	-	GW 49 984	GW 49 984	GW 49 983 (1)	-	-
-	-	-	-	-	-	-	-	-	-	GW 49 987	GW 49 988
-	-	-	-	-	-	-	-	-	-	-	-
-	-	-	-	-	-	-	-	-	-	GW 49 437	GW 49 438

VERTICAL INSTALLATION

-	GW 49 956	-	-	-	-	-	GW 49 957	-	-	-	-
-	GW 49 972	-	-	-	-	-	GW 49 974	-	-	-	-
GW 49 594	GW 49 973	-	-	-	-	GW 49 595	GW 49 975	-	-	-	-
-	-	-	-	-	-	-	GW 49 990	GW 49 990 (1)	GW 49 993 (1)	-	-
-	-	-	-	-	-	-	GW 49 440	GW 49 440 (1)	GW 49 443 (1)	-	-

47 CVX 1600

CVX 1600 DISTRIBUTION CABINETS CONFIGURATION						
			Panel height (mm)	L= 400 mm (12 mod.)	L= 600 mm (24 mod.)	L= 850 mm (36 mod.)
INSTALLATION ON DIN RAIL KIT - NON-SEPARATED ENCLOSURES DISTRIBUTION CABINETS						
1-DIN row installation kit 	DIN rail kit	-	-	GW 49 221	GW 49 223	GW 49 227
	Front panel with window	200	-	GW 49 501	GW 49 502	GW 49 506
2-DIN row installation kit 	DIN rail kit	-	-	-	GW 49 225	GW 49 228
	Front panel with window	300	-	-	GW 49 504	GW 49 508
1-DIN row strengthened installation kit for MTX 	DIN rail kit	-	-	-	GW 49 148	GW 49 149
	Front panel with window	200	-	-	GW 49 502	GW 49 506
Strengthened installation kit for MTX with "L" residual current device 	DIN rail kit	-	-	-	GW 49 148	GW 49 149
	Front panel with window	300	-	-	GW 49 146	GW 49 147
INSTALLATION ON DIN RAIL KIT - SEPARATED ENCLOSURES DISTRIBUTION CABINETS						
1-DIN row installation kit 	DIN rail kit	-	-	GW 49 222	GW 49 224	GW 49 230
	Front panel with window	200	-	GW 49 501	GW 49 502	GW 49 506
	Back-mounting plate	200	-	GW 49 819	GW 49 823	GW 49 851
FRONT PANELS						
Flat blank 		100	-	GW 49 451	GW 49 456	GW 49 470
		200	-	GW 49 452	GW 49 457	GW 49 471
		300	-	GW 49 453	GW 49 458	GW 49 472
		400	-	GW 49 454	GW 49 459	GW 49 473
		600	-	GW 49 455	GW 49 460	GW 49 474
		800	-	-	GW 49 461	GW 49 481
		1800	-	-	GW 49 463	GW 49 476
Sunken blank 		200	-	-	GW 49 465	GW 49 478
		400	-	-	GW 49 466	GW 49 479
		600	-	-	GW 49 467	GW 49 480
Aerated 		100	-	-	GW 49 468	-
		200	-	-	GW 49 469	-
For measuring instruments and three-way switches 	No. 2 instruments 72x72mm No. 2 switches	200	-	-	GW 49 514	GW 49 518
	No. 2 instruments 96x96mm No. 2 switches	200	-	-	GW 49 515	GW 49 519
	No. 4 instruments 72x72mm No. 1 switch	200	-	-	GW 49 516	GW 49 520
	No. 4 instruments 96x96 mm No. 1 switch	200	-	-	GW 49 517	GW 49 521
BACK-MOUNTING PLATES - NON-SEPARATED ENCLOSURES DISTRIBUTION CABINETS						
Flat 		200	-	GW 49 801	GW 49 805	GW 49 812
		300	-	-	GW 49 806	GW 49 813
		400	-	-	GW 49 807	GW 49 814
		600	-	-	GW 49 808	GW 49 815
Sunken 		200	-	-	GW 49 809	GW 49 816
		400	-	-	GW 49 810	GW 49 817
		600	-	-	GW 49 811	GW 49 818
BACK-MOUNTING PLATES - SEPARATED ENCLOSURES DISTRIBUTION CABINETS						
Flat 		200	-	GW 49 819	GW 49 823	GW 49 851
		300	-	-	GW 49 824	GW 49 852
		400	-	-	GW 49 825	GW 49 853
		600	-	-	GW 49 826	GW 49 854
		800	-	-	GW 49 827	GW 49 855
FULL-HEIGHT BACK-MOUNTING PLATES						
Back-mounting plates 	Back-mounting plates	1800	-	-	GW 49 828	GW 49 830
		2000	-	-	GW 49 829	GW 49 831
	structures P= 400	-	-	-	GW 49 832	GW 49 832
	Supports structures P= 600	-	-	-	GW 49 833	GW 49 833
	structures P= 800	-	-	-	GW 49 834	GW 49 834

CVX 1600 DISTRIBUTION CABINETS CONFIGURATION

DIVIDERS FOR MOULDED-CASE CIRCUIT BREAKERS

INTERNAL SEPARATION FORM		Panel height (mm)						
		200	300	400	500	600	800	
FORM 2A		L = 400mm	STANDARD MOULDED-CASE CIRCUIT BREAKERS KIT FOR SEPARATED ENCLOSURES					
		L = 600mm						
FORM 3A		L = 400mm	GW 49 561	GW 49 561	GW 49 561	GW 49 561	GW 49 561	GW 49 561
		L = 600mm	GW 49 562	GW 49 562	GW 49 562	GW 49 562	GW 49 562	GW 49 562
FORM 3B		MCCB in HORIZONTAL position						
		L = 400mm	GW 49 531	GW 49 532	-	-	GW 49 534 (1)	-
	L = 600mm	GW 49 535	GW 49 536	-	GW 49 538	GW 49 539	GW 49 544	
		MCCB in VERTICAL position						
		D = 600mm	-	-	GW 49 996	GW 49 540	-	-
		D = 800mm	-	-	GW 49 997	GW 49 541	-	GW 49 543
MCCB in HORIZONTAL position								
FORM 4B		D = 600mm	GW 49 550	GW 49 551	-	GW 49 553	GW 49 554	-
		D = 800mm						
		MCCB in VERTICAL position						
		D = 600mm	-	-	GW 49 998	GW 49 555	-	-
		D = 800mm	-	-	GW 49 999	GW 49 556	-	GW 49 558

(2) Only for back-mounting plate H=600mm

INTERNAL SEPARATION FOR BUSBARS

Horizontal busbars	Internal cable compartment	External cable compartment	L= 400mm (12 mod.)	L= 600mm (24 mod.)	L= 850mm (36 mod.)
Universal horizontal separation	-	-	GW 49 561	GW 49 562	GW 49 578
Horizontal separation	-	-	GW 49 563	GW 49 564	-
Rear vertical separation	-	-	GW 49 565	GW 49 566	-
Cable compartment separation D= 600/800mm	GW 49 574	GW 49 575	GW 49 576 (2)	GW 49 577 (2)	-
Vertical busbars	D = 600mm	D = 800mm	-	-	-
Vertical separation (H = 1800mm)	GW 49 567	GW 49 569	-	-	-
Internal compartment rear separation (H = 1800mm)	GW 49 571	GW 49 571	-	-	-
Vertical separation (H = 2000mm)	GW 49 568	GW 49 570	-	-	-
Internal compartment rear separation (H = 2000mm)	GW 49 572	GW 49 572	-	-	-

(2) Structure used as external cable compartment.

NOTES:

To create the circuit breaker dividers, use: cabinets with base B = 400/600 mm (also B = 850 mm, but with internal cable compartment) and with depth P = 600/800 mm, closed functional frames, installation kit for moulded-case circuit breakers in segregated version, and moulded-case circuit breakers with the relative rear terminals.

For modular devices on DIN rail, the back-mounting plate for segregated cabinets (GW 49819 ÷ GW 49827) is necessary, as well as the DIN rail for closed frames and the DIN panel with windows.

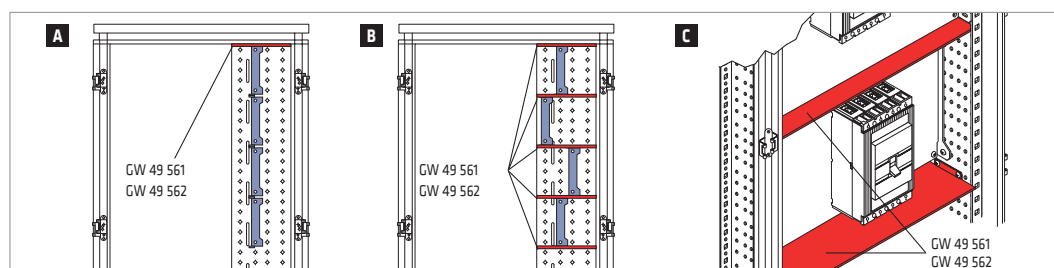
The minimum segregation is Form 2A, obtained by using the installation kit for the specific MCCB for segregated cabinets and positioning 2 horizontal shelves (GW 49561 for B = 400 mm or GW 49562 for B = 600 mm), one at the top of the cabinet (at the start of the column) and one at the bottom (at the end of the column) (figure A). If the MCCB back-mounting plates are not aligned, add a horizontal shelf (GW 49561 for B = 400 mm or GW 49562 for B = 600 mm) for each circuit breaker cell with a plate not aligned with the adjacent cell (figures B and C).

To create MCCB dividers greater than Form 2A, you must add the higher form kits to the elements of Form 2A until you obtain the required form (see below):

Form 3A = Form 2A kit + Form 3A kit

Form 3B = Form 2A kit + Form 3B kit

Form 4B = Form 2A kit + Form 3B kit + Form 4B kit



Separation examples:

- form 2A with aligned plates (A)
- form 2A with unaligned plates (B)
- front view of the functional unit cell (C).

47 CVX 1600

COMPATIBILITY BETWEEN MTX, MTS MOULDED-CASE CIRCUIT BREAKERS AND MSS SWITCH DISCONNECTORS WITH NON-SEPARATED CVX 1600 DISTRIBUTION CABINETS

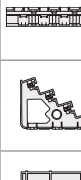

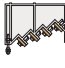





		NON-SEPARATED DISTRIBUTION CABINETS									
		FIXED VERSION			PLUG-IN VERSION			WITH DRAWABLE VERSION			
		D = 400mm	D = 600mm	D = 800mm	D = 400mm	D = 600mm	D = 800mm	D = 400mm	D = 600mm	D = 800mm	
LEVER CONTROL											
MTX/M 160c	front connections	*	*	*	-	-	-	-	-	-	
	rear connections	*	*	*	-	-	-	-	-	-	
MTX/M 160c + BD residual current device	front connections	*	*	*	-	-	-	-	-	-	
	rear connections	*	*	*	-	-	-	-	-	-	
MTX/E 160	front connections	*	*	*	*	*	*	-	-	-	
	rear connections	*	*	*	*	*	*	-	-	-	
MTX/E 160 + BD residual current device	front connections	*	*	*	-	-	-	-	-	-	
	rear connections	-	-	-	-	-	-	-	-	-	
MTX/M 250	front connections	*	*	*	*	*	*	-	-	-	
	rear connections	-	*	*	-	*	*	-	-	-	
MTX/M 250 + BD residual current device	front connections	*	*	*	-	-	-	-	-	-	
	rear connections	-	-	-	-	-	-	-	-	-	
MTX/E/M 320	front connections	*	*	*	*	*	*	*	*	*	
	rear connections	-	*	*	-	*	*	-	*	*	
MTX/E/M 320 + BD residual current device	front connections	*	*	*	-	-	-	-	-	-	
	rear connections	-	*	*	-	-	-	-	-	-	
MTXM 400	front connections	*	*	*	*	*	*	*	*	*	
	rear connections	-	*	*	-	*	*	-	*	*	
MTX/E/M 630	front connections	*	*	*	-	-	-	-	-	-	
	rear connections	-	*	*	-	-	-	-	-	-	
MTX/E/M 630 + BD residual current device	front connections	-	*	*	-	-	-	-	-	-	
	rear connections	*	*	*	-	-	-	-	*	*	
MTX/E/M 1000	front connections	-	*	*	-	-	-	-	*	*	
	rear connections	-	*	*	-	-	-	-	*	*	
MTSE 1600	front connections	-	*	*	-	-	-	-	-	*	
	rear connections	-	*	*	-	-	-	-	-	*	
DIRECT ROTARY HANDLE / MOTOR OPERATING											
MTX/M 160c	front connections	*	*	*	-	-	-	-	-	-	
	rear connections	*	*	*	-	-	-	-	-	-	
MTX/E 160	front connections	*	*	*	-	-	-	-	-	-	
	rear connections	*	*	*	-	-	-	-	-	-	
MTX/M 250	front connections	*	*	*	*	*	*	-	-	-	
	rear connections	-	*	*	-	*	*	-	-	-	
MTX/E/M 320	front connections	*	*	*	-	-	-	1	1	1	
	rear connections	-	*	*	-	-	-	-	1	1	
MTXM 400	front connections	*	*	*	-	-	-	1	1	1	
	rear connections	-	*	*	-	-	-	-	1	1	
MTX/E/M 630	front connections	*	*	*	-	-	-	-	1	1	
	rear connections	-	*	*	-	-	-	-	1	1	
MTSE 1600	front connections	-	*	*	-	-	-	-	-	2	
	rear connections	-	*	*	-	-	-	-	-	2	
MSS 250	front connections	*	*	*	-	-	-	-	-	-	
	rear connections	-	-	-	-	-	-	-	-	-	
MSS 630	front connections	-	-	-	-	-	-	-	-	-	
	rear connections	-	-	-	-	-	-	-	-	-	
INTERLOCKED / MOTORISED INTERLOCKED											
MTX/M 160c	front connections	-	-	-	-	-	-	-	-	-	
	rear connections	-	-	-	-	-	-	-	-	-	
MTX/E 160	front connections	-	-	-	-	-	-	-	-	-	
	rear connections	-	-	-	-	-	-	-	-	-	
MTX/M 250	front connections	*	*	*	-	-	-	-	-	-	
	rear connections	-	*	*	-	-	-	-	-	-	
MTX/E/M 320	front connections	-	*	*	-	*	*	-	*	*	
	rear connections	-	*	*	-	*	*	-	*	*	
MTXM 400	front connections	-	*	*	-	*	*	-	*	*	
	rear connections	-	*	*	-	*	*	-	*	*	
MTX/E/M 630	front connections	-	*	*	-	-	-	-	*	*	
	rear connections	-	*	*	-	-	-	-	*	*	
MTSE 1600	front connections	-	*	*	-	-	-	-	-	3	
	rear connections	-	*	*	-	-	-	-	-	3	
MTXM 800	front connections	-	*	*	-	-	-	-	-	3	
	rear connections	-	*	*	-	-	-	-	-	3	
MTX/E/M 1000	front connections	-	*	*	-	-	-	-	-	3	
	rear connections	-	*	*	-	-	-	-	-	3	
SYMBOL LEGEND	*	Recommended solutions				2	Use only the protruding glass door with motor control versions				
	1	Use only the protruding glass door with direct rotating handle versions				3	Use only the protruding glass door with motor control interlocked versions				

**COMPATIBILITY BETWEEN MTX, MTS MOULDED-CASE CIRCUIT BREAKERS
AND MSS SWITCH DISCONNECTORS WITH SEPARATED CVX 1600 DISTRIBUTION CABINETS**

		SEPARATED DISTRIBUTION BOARDS					
		FIXED VERSION		PLUG-IN VERSION		WITH DRAWABLE VERSION	
		D = 600mm	D = 800mm	D = 600mm	D = 800mm	D = 600mm	D = 800mm
LEVER CONTROL							
MTX/M 160c	front connections	-	-	-	-	-	-
	rear connections	*	*	-	-	-	-
MTX/M 160c + BD residual current device	front connections	-	-	-	-	-	-
	rear connections	*	*	-	-	-	-
MTX/E 160	front connections	-	-	-	-	-	-
	rear connections	*	*	*	*	-	-
MTX/M 250	front connections	-	-	-	-	-	-
	rear connections	*	*	*	*	-	-
MTX/E/M 320	front connections	-	-	-	-	-	-
	rear connections	*	*	*	*	*	*
MTXM 400	front connections	-	-	-	-	-	-
MTX/E/M 630	rear connections	*	*	*	*	*	*
MTXM 800	front connections	-	-	-	-	-	-
MTX/E/M 1000	rear connections	*	*	-	-	*	*
MTSE 1600	front connections	-	-	-	-	-	-
MTSM 1600	rear connections	*	*	-	-	-	*
DIRECT ROTARY HANDLE / MOTOR OPERATING							
MTX/M 160c	front connections	-	-	-	-	-	-
	rear connections	*	*	-	-	-	-
MTX/E 160	front connections	-	-	-	-	-	-
	rear connections	*	*	-	-	-	-
MTX/M 250	front connections	-	-	-	-	-	-
	rear connections	*	*	2	2	-	-
MTX/E/M 320	front connections	-	-	-	-	-	-
	rear connections	*	*	2	2	1-2	1-2
MTXM 400	front connections	-	-	-	-	-	-
MTX/E/M 630	rear connections	*	*	2	2	1-2	1-2
MTXM 800	front connections	-	-	-	-	-	-
MTX/E/M 1000	rear connections	*	*	-	-	1-2	1-2
MTSE 1600	front connections	-	-	-	-	-	-
MTSM 1600	rear connections	-	*	-	-	-	3
MSS 250	front connections	-	-	-	-	-	-
MSS 630	rear connections	-	-	-	-	-	-
INTERLOCKED / MOTORISED INTERLOCKED							
MTX/M 160c	front connections	-	-	-	-	-	-
	rear connections	-	-	-	-	-	-
MTX/E 160	front connections	-	-	-	-	-	-
	rear connections	-	-	-	-	-	-
MTX/M 250	front connections	-	-	-	-	-	-
	rear connections	*	*	-	-	-	-
MTX/E/M 320	front connections	-	-	-	-	-	-
	rear connections	*	*	3	3	3	3
MTXM 400	front connections	-	-	-	-	-	-
MTX/E/M 630	rear connections	*	*	3	3	3	3
MTXM 800	front connections	-	-	-	-	-	-
MTX/E/M 1000	rear connections	*	*	-	-	*	*
MTSE 1600	front connections	-	-	-	-	-	-
MTSM 1600	rear connections	-	*	-	-	-	3

47 BUSBAR

Selection tables

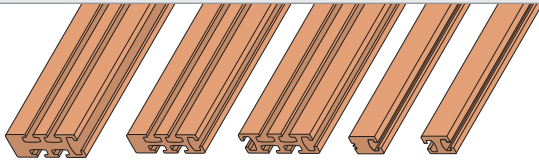
FLAT BUSBAR SYSTEM - CVX 630 K DISTRIBUTION BOARD																	
BUSBAR (1 CODE= 2 PIECES)										CENTRE DISTANCE				BUSBAR HOLDER WITH CROSSPIECE (1 CODE = 2 PIECES)			
Capacity (A) depending on IP rating		Code	Cross-section LxH (mm)	N. bars per phase	Type	Maximum centre distance between busbar holders (mm) depending on max.lcc (kA)						B=600 mm(1)		B=850 mm(1)		Internal cable compartment	External cable compartment
IP 30	IP 40/43					6kA	10kA	16kA	20kA	25kA	35kA	B=600 mm(1)	B=850 mm(1)	Internal cable compartment	External cable compartment		
325	250	GW 45 551 (1000 mm) GW 45 555 (1750 mm)	20x5	1		1000	1000	600	200	200	-	GW 45 563	GW 45 563	-	-		
						700	400	250	150	-	-	-	GW 45 561	-			
						800	500	250	100	100	-	-	-	GW 45 562			
530	400	GW 45 552 (1000 mm) GW 45 556 (1750 mm)	25x6	1		700	400	250	150	-	-	-	GW 45 561	-			
530	400	GW 45 553 (1000 mm) GW 45 557 (1750 mm)	30x5	1		1000	1000	600	600	500	200	GW 45 563	GW 45 563	-	-		
						1000	600	250	100	100	-	-	-	GW 45 562			
770	630	GW 45 554 (1000 mm) GW 45 558 (1750 mm)	30x10	1		1000	1000	600	600	500	200	GW 45 563	GW 45 563	-	-		
						1000	700	250	100	100	-	-	-	GW 45 562			

(1) Only form 1

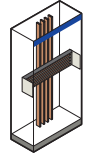
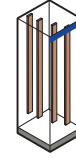
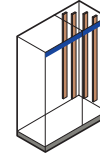
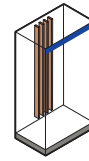
FLEXIBLE STRAPS										
Capacity (A) depending on IP rating							Code (1 code= 2 pieces)*	Dimensions		
CVX 630 K boards		CVX 630 M boards		CVX 1600 enclosure				NxLxH (mm)	Cross-section (mm ²)	Length (mm)
IP 30	IP 40 / IP 43	IP 30	IP 55	IP 31	IP 41	IP 65				
212	191	212	160	212	191	160	GW 47 651	2x15,5x0,8	24,8	2000
395	323	395	250	395	323	250	GW 47 652	3x20x1	60	2000
498	460	498	400	498	460	400	GW 47 653	5x20x1	100	2000
758	702	758	630	758	702	630	GW 47 654	5x32x1	160	2000
-	-	-	-	1203	1140	1000	GW 47 655	8x40x1	320	2000
-	-	-	-	1650	1525	1250	GW 47 656	10x50x1	500	2000

* except for GW 47 651

SHAPED CONTINUOUS PROFILE BUSBAR SYSTEM - CVX 630 M DISTRIBUTION BOARD



BUSBAR HOLDER WITH CROSSPIECE (1 CODE = 2 PIECES)



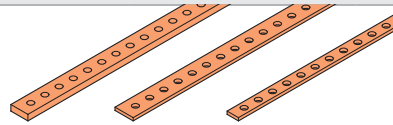
Capacity (A) depending on IP rating		Code	Cross-section LxH (mm)	N. bars per phase	Maximum centre distance D (mm) depending on max.lcc (kA)			B=600 mm (1)		B=850 mm (1) (*)		Internal cable compartment	External cable compartment	Direct connection to GWFIX 400	
IP 30	IP 55				Type	25kA	35kA	B=600 mm (1)	B=850 mm (1) (*)	L= 600 mm	L=850 mm (**)				
630	400	GW 49 651	20x20	1		550	425	GW 45 577	GW 45 578	-	-	GW 45 579	GW 45 580		
						550	425	-	-	GW 45 575	GW 45 576	-	-		
970	800	GW 49 652	20x20	1		550	425	GW 45 577	GW 45 578	-	-	GW 45 579	GW 45 580		
						550	425	-	-	GW 45 575	GW 45 576	-	-		

(*) In structure L=850mm with internal cable compartment, use the GW 45 577 crosspieces for busbar systems on the bottom of the device compartment L=600mm.

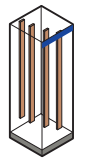
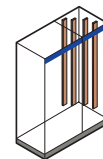
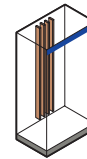
(**) In structure L=850mm with internal cable compartment, use the GW 45 579 crosspieces for busbar systems on the bottom of the device compartment L=600mm.

(1) Only form 1

FLAT BUSBAR SYSTEM - CVX 630 M DISTRIBUTION BOARD



BUSBAR HOLDER WITH CROSSPIECE (1 CODE = 2 PIECES)



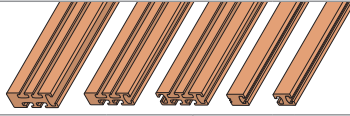
Capacity (A) depending on IP rating		Code	Cross-section LxH (mm)	N. bars per phase	CENTRE DISTANCE							B=600 mm (1)		B=850 mm (1)	Internal cable compartment	External cable compartment
IP 30	IP 55				Maximum centre distance between busbar holders (mm) depending on max.lcc (kA)		6kA	10kA	16kA	20kA	25kA	35kA	B=600 mm (1)			
325	250	GW 45 551 (1000 mm) GW 45 555 (1750 mm)	20x5	1		1000	1000	600	200	200	-	GW 45 573	GW 45 574	-	-	
						700	400	250	150	-	-	-	-	GW 45 561	-	
						800	500	250	100	100	-	-	-	-	GW 45 562	
530	400	GW 45 552 (1000 mm) GW 45 556 (1750 mm)	25x6	1		700	400	250	150	-	-	-	-	GW 45 561	-	
						700	400	250	150	-	-	-	-	GW 45 561	-	
530	400	GW 45 553 (1000 mm) GW 45 557 (1750 mm)	30x5	1		1000	1000	600	600	500	200	GW 45 573	GW 45 574	-	-	
						1000	600	250	100	100	-	-	-	-	GW 45 562	
770	630	GW 45 554 (1000 mm) GW 45 558 (1750 mm)	30x10	1		1000	1000	600	600	500	200	GW 45 573	GW 45 574	-	-	
						1000	700	250	100	100	-	-	-	-	GW 45 562	

(*) In structure L=850mm with internal cable compartment, use the GW 45 573 crosspieces for busbar systems on the bottom of the device compartment L=600mm.

(1) Only form 1

47 BUSBAR

SHAPED CONTINUOUS PROFILE BUSBAR SYSTEM - CVX 1600 DISTRIBUTION CABINETS



BUSBAR (1 CODE = 1 PIECE)							BUSBAR HOLDER (1 CODE = 1 PIECE)									FIXING CROSSPIECES (1 CODE = 2 PIECES)				
Capacity (A) depending on IP rating			Code	Cross-section LxH (mm)	N. bars per phase	Maximum centre distance D (mm) depending on max. Icc (kA)					Min. structure depth (mm)	(2)			External cable compartment	Non-separated enclosure				
IP 31	IP 41	IP 65				25kA	35kA	50kA	65kA	75kA		L= 400 mm	L= 600 mm	L= 850 mm		D= 600 mm	D= 800 mm			
630	520	400	GW 49 651	20x20	1	GW 49 658	550	425	-	-	-	400	GW 49 701	GW 49 702	GW 49 703	-	-			
						GW 49 659 + GW 49 675 (*)	550	550	-	-	-	600	GW 49 704	GW 49 705	GW 49 706			-	GW 49 715	
						GW 49 660 + GW 49 675 (*)	550	550	-	-	-	600	GW 49 713							
						GW 49 656	550	425	-	-	-	400	GW 49 701					GW 49 708	-	
						GW 49 657 + GW 49 675 (*)	550	550	-	-	-	800	GW 49 704						GW 49 715	
970	830	800	GW 49 652	20x20	1	GW 49 658	550	425	-	-	-	400	GW 49 701	GW 49 702	GW 49 703	-	-			
						GW 49 659 + GW 49 675 (*)	550	550	-	-	-	600	GW 49 704	GW 49 705	GW 49 706			-	GW 49 715	
						GW 49 660 + GW 49 675 (*)	550	550	-	-	-	600								GW 49 713
						GW 49 656	550	425	-	-	-	400	GW 49 701					GW 49 708	-	
						GW 49 657 + GW 49 675 (*)	550	550	-	-	-	800	GW 49 704						GW 49 715	
1400	1330	1250	GW 49 653	20x60	1	GW 49 659	550	550	425	275	225	600	GW 49 704	GW 49 705	GW 49 706	-	-	GW 49 715		
						GW 49 660	550	425	350	225	-	600				GW 49 713				
						GW 49 657	550	550	425	275	250	800				GW 49 708	-			
1820	1710	1600	GW 49 654	20x60	1	GW 49 659	550	550	425	275	200	600	GW 49 704	GW 49 705	GW 49 706	-	-	GW 49 715		
						GW 49 660	550	550	350	225	-	600				GW 49 713				
						GW 49 657	550	550	425	275	250	800				GW 49 708	-			

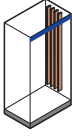
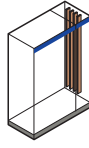
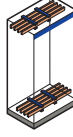
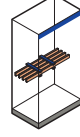
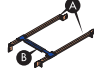
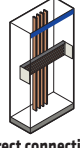
Note: the yellow arrows indicate an example of choice of codes relating to the bar system to be constructed (busbar, fixing crosspieces and busbar holders).

(*) Adapter for busbar-holder (1 code= 4 pieces)

(1) installation only on external compartment.

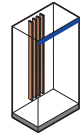
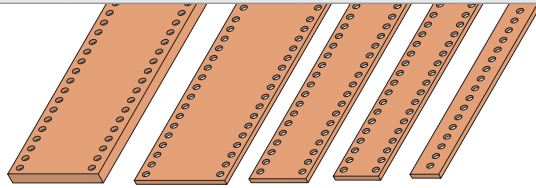
(2) up to Form 2.

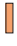
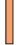

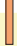
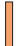
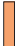



SHAPED CONTINUOUS PROFILE BUSBAR SYSTEM - CVX 1600 DISTRIBUTION CABINETS
FIXING CROSSPIECES (1 CODE = 2 PIECES)

 Separated enclosure		 Internal/external compartment										 Direct connection to GWFIX 400	
D= 600 mm	D= 800 mm	D= 400 mm	D= 600 mm	D= 800 mm	D= 600 mm	D= 800 mm	L= 400 mm	L= 600 mm	L= 850 mm	D= 600 mm	D= 800 mm	L= 600 mm	L= 850 mm
-	-	-	-	-	-	-	-	-	-	-	-	GW 49 717	GW 49 718
GW 49 714	GW 49 716	-	GW 49 711	GW 49 712	GW 49 711	GW 49 720	GW 49 721	GW 49 722	GW 49 723	GW 49 724	GW 49 725	-	-
-	-	GW 49 710	-	-	-	-	-	-	-	-	-	-	-
GW 49 716	-	-	GW 49 711 (1)	GW 49 712	-	-	-	-	-	-	-	-	-
-	-	-	-	-	-	-	-	-	-	-	-	GW 49 717	GW 49 718
GW 49 714	GW 49 716	-	GW 49 711	GW 49 712	GW 49 711	GW 49 720	GW 49 721	GW 49 722	GW 49 723	GW 49 724	GW 49 725	-	-
-	-	GW 49 710	-	-	-	-	-	-	-	-	-	-	-
GW 49 716	-	-	GW 49 711 (1)	GW 49 712	-	-	-	-	-	-	-	-	-
GW 49 714	GW 49 716	-	GW 49 711	GW 49 712	GW 49 711	GW 49 720	GW 49 721	GW 49 722	GW 49 723	GW 49 724	GW 49 725	-	-
-	-	-	GW 49 711 (1)	-	-	-	-	-	-	-	-	-	-
GW 49 714	GW 49 716	-	GW 49 711	GW 49 712	GW 49 711	GW 49 720	GW 49 721	GW 49 722	GW 49 723	GW 49 724	GW 49 725	-	-
-	-	-	GW 49 711 (1)	-	-	-	-	-	-	-	-	-	-

47 BUSBAR

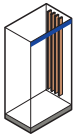
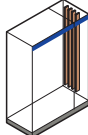
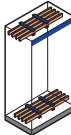
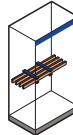
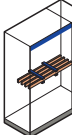
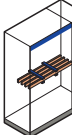
FLAT BUSBAR SYSTEM - CVX 1600 DISTRIBUTION CABINETS



BUSBAR (1 CODE = 2 PIECES)						BUSBAR HOLDER (1 CODE = 2 PIECES)											(2) L= 600 mm	(2) L= 850 mm
Capacity (A) depending on IP rating			Code	LxH (mm)	N. bars per phase	Code	Maximum centre distance D (mm) depending on max.Icc (kA)								Min. structure depth (mm)			
IP 31	IP 41	IP 65					6	10	16	25	35	50	75	100				
530	490	400	 GW 47 637	32x5	1		1000	1000	700	300	225	-	-	-	600	GW 49 731	GW 49 732	
772	695	630	 GW 49 677	50x5	1		1000	1000	700	375	275	225	-	-	600	GW 49 731	GW 49 732	
951	863	800	 GW 49 678	63x5	1	GW 49 670	-	1000	700	425	300	225	-	-	600	GW 49 731	GW 49 732	
1431	1347	1250	 GW 49 679	100x5	1		-	-	700	500	375	250	-	-	600	GW 49 731	GW 49 732	
1836	1710	1600	 GW 49 680	100x10	1	 GW 49 671	-	-	-	1000	1000	600	375	225	600	GW 49 731	GW 49 732	
3056	2700	2500		100x10	2	 GW 49 672	-	-	-	1000	1000	900	400	225	800	GW 49 731	GW 49 732	
4018	3600	3200		100x10	3	 GW 49 676	-	-	-	1000	1000	800	400	225	800	GW 49 731	GW 49 732	







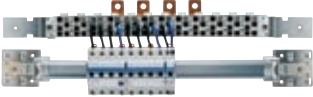
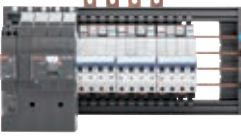

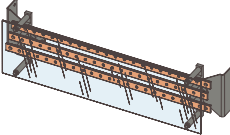
Note: the yellow arrows indicate an example of choice of codes relating to the bar system to be constructed (busbar, fixing crosspieces and busbar holders).
(2) Up to Form 2

FIXING CROSSPIECES (1 CODE = 2 PIECES)

 Non-separated enclosure		 Separated enclosure		 Internal/external compartment		 Non-separated enclosure		 Separated enclosure		 Internal/external compartment			
												D= 600 mm	D= 800 mm
GW 49 733	GW 49 734	GW 49 735	GW 49 736	GW 49 737	GW 49 738	GW 49 749	GW 49 720	GW 49 741	GW 49 742	GW 49 743	GW 49 744	GW 49 739	GW 49 740
GW 49 733	GW 49 734	GW 49 735	GW 49 736	GW 49 737	GW 49 738	GW 49 749	GW 49 720	GW 49 741	GW 49 742	GW 49 743	GW 49 744	GW 49 739	GW 49 740
GW 49 733	GW 49 734	GW 49 735	GW 49 736	GW 49 737	GW 49 738	GW 49 749	GW 49 720	GW 49 741	GW 49 742	GW 49 743	GW 49 744	GW 49 739	GW 49 740
GW 49 733	GW 49 734	GW 49 735	GW 49 736	GW 49 737	GW 49 738	GW 49 749	GW 49 720	GW 49 741	GW 49 742	GW 49 743	GW 49 744	GW 49 739	GW 49 740
GW 49 733	GW 49 734	GW 49 735	GW 49 736	GW 49 737	GW 49 738	GW 49 749	GW 49 720	GW 49 741	GW 49 742	GW 49 743	GW 49 744	GW 49 739	GW 49 740
-	GW 49 734	-	GW 49 736	-	GW 49 738	-	GW 49 720	-	GW 49 742	-	GW 49 744	-	GW 49 740
-	GW 49 734	-	GW 49 736	-	GW 49 738	-	GW 49 720	-	GW 49 742	-	GW 49 744	-	GW 49 740

47 BUSBAR

COMPATIBILITY OF GWFIX SYSTEMS AND TERMINAL BLOCKS WITH 47 CVX RANGE DISTRIBUTION BOARDS

	CVX distribution boards				
	 CVX 160 I Flush-mounting distribution boards	 CVX 160 E Wall-mounting distribution boards	 CVX 630 K Wall- and floor-mounting distribution boards	 CVX 630 M Wall- and floor-mounting distribution boards	 CVX 1600 Floor-mounting distribution cabinets
Quick divider GWFIX distribution system					
 GWFIX 100	*	*	*	*	*
 GWFIX 250		*	*	*	*
 GWFIX 400				*	*
Distribution terminal blocks					
 Modular 1P/2P/3P/4P 100A 125A 160A 250A	*	*	*	*	*
 4P on functional frame or plate			*	*	*

47 CVX 160 I

Flush mounting distribution boards up to 160 A

The CVX 160 I range of flush-mounting distribution boards up to 160 A stands out for its ease of selection and quick assembly. Having chosen the size of the board, in addition to the metal casing and the door, the DIN rails and isolating front panels are also included with a single order code. Furthermore, the innovative support enables the fixing of the rails to the brackets and their depth adjustment without using screws or tools.



Technical characteristics page 318

STRUCTURES

IP30 DISTRIBUTION BOARDS



GW 47 072

PREASSEMBLED DISTRIBUTION BOARDS IN PAINTED SHEET STEEL - COLOUR GREY RAL 7035 COMPLETE WITH OUTFIT FOR MODULAR DEVICES - WITHOUT DOOR

Code	Functional dim. LxHxD (mm)	Box dimensions BxHxD (mm)	Outer dim. LxHxD (mm)	No. of modules EN 50022	Pack Carton
GW 47 072	600x600x105	680x670x105	730x706x25	96 (24x4)	1
GW 47 073	600x800x105	680x870x105	730x906x25	120 (24x5)	1
GW 47 074	600x1000x105	680x1070x105	730x1106x25	144 (24x6)	1

ACCESSORIES SUPPLIED: mortar guard. Service identification label.
Front panels complete with EN 50022 rail (DIN 35) and fixing accessories. Blanking module profile.

IP40 DISTRIBUTION BOARDS



GW 47 082

PREASSEMBLED DISTRIBUTION BOARDS IN PAINTED SHEET STEEL - COLOUR GREY RAL 7035 COMPLETE WITH OUTFIT FOR MODULAR DEVICES - WITHOUT DOOR CURVED SMOKED TEMPERED SAFETY GLASS DOOR WITH 2 LOCKS

Code	Functional dim. LxHxD (mm)	Box dimensions BxHxD (mm)	Outer dim. LxHxD (mm)	No. of modules EN 50022	Pack Carton
GW 47 082	600x600x105	680x670x105	730x706x65	96 (24x4)	1
GW 47 083	600x800x105	680x870x105	730x906x65	120 (24x5)	1
GW 47 084	600x1000x105	680x1070x105	730x1106x65	144 (24x6)	1

ACCESSORIES SUPPLIED: mortar guard. Service identification label.
Front panels complete with EN 50022 rail (DIN 35) and fixing accessories. Blanking module profile. 2 double-fin keys.



GW 47 087

PREASSEMBLED DISTRIBUTION BOARDS IN PAINTED SHEET STEEL - COLOUR GREY RAL 7035 COMPLETE WITH OUTFIT FOR MODULAR DEVICES BLANK DOOR IN SHEET METAL WITH 2 LOCKS

Code	Functional dim. LxHxD (mm)	Box dimensions BxHxD (mm)	Outer dim. LxHxD (mm)	No. of modules EN 50022	Pack Carton
GW 47 087	600x600x105	680x670x105	730x706x34	96 (24x4)	1
GW 47 088	600x800x105	680x870x105	730x906x34	120 (24x5)	1
GW 47 089	600x1000x105	680x1070x105	730x1106x34	144 (24x6)	1

ACCESSORIES SUPPLIED: mortar guard. Service identification label.
Front panels complete with EN 50022 rail (DIN 35) and fixing accessories. Blanking module profile. 2 double-fin keys.

FRONT CONFIGURATION

INSTALLATION KIT FOR COUNTRY-SPECIFIC DEVICES



GW 47 263

FRONT PANEL WITH WINDOW COMPLETE WITH EN 50 022 RAILS AND PLATES FOR FIXING SUPPORT BASES FOR THE EDF BLUE TARIFF CONNECTING SWITCH - FRENCH STANDARD

Code	Dimensions LxH (mm)	Suitable for	Suited for EN 50022	Pack Carton
GW 47 263	600x300	Command lock	24 modules (2x12)	1/5

ACCESSORIES SUPPLIED: blanking module profile. Fixing accessories. Earthing set.

FRONT PANELS



GW 47 179

FRONT PANELS WITH WINDOW FOR MODULAR DEVICES

Code	External dim. LxH (mm)	Pack Carton
Modules: 24		
GW 47 178	600x150	1/10
GW 47 179	600x200	1/10

ACCESSORIES SUPPLIED: blanking module profile, pair of hinges.

CHARACTERISTICS: quick coupling front panel, in Grey RAL 7035 insulating material, with ergonomic Blue RAL 5003 grip, prearrangement of the panels for rotation hinges (included).



GW 47 175

BLANK FRONT PANELS

Code	External dim. LxH (mm)	Pack Carton
Modules: 24		
GW 47 173	600x50	1/10
GW 47 174	600x150	1/10
GW 47 175	600x200	1/10

ACCESSORIES SUPPLIED: pair of hinges.

CHARACTERISTICS: quick coupling front panel, in Grey RAL 7035 insulating material, with ergonomic Blue RAL 5003 grip, prearrangement of the panels, except GW47173, for rotation hinges (included).



GW 47 177

FRONT PANELS FOR MEASURING INSTRUMENTS AND THREE-WAY SWITCHES

Code	External dim. LxH (mm)	3-way switch no. x hole Ø	Instruments N. x dimensions	Pack Carton
Modules: 24				
GW 47 176	600x200	1 Ø9.5 mm	4 72x72 mm	1/10
GW 47 177	600x200	1 Ø9.5 mm	4 96x96 mm	1/10

ACCESSORIES SUPPLIED: pair of hinges.

APPLICATIONS: installation of ammeters, voltmeters, voltmeter/ammeter three-way switches and earth leakage relays for distribution boards.

CHARACTERISTICS: quick coupling front panel, in Grey RAL 7035 insulating material, with ergonomic Blue RAL 5003 grip, prearrangement of the panels for rotation hinges (included).

INTERNAL CONFIGURATION

DIN RAIL KIT



GW 47 251

DIN RAILS FOR MODULAR DEVICES (90 RANGE) AND MOULDED CASE CIRCUIT BREAKERS UP TO 160 A (MTX/M 160C / MTX/E 160 RANGE) - COMPLETE WITH BRACKETS AND SUPPORTS FOR ASSEMBLY

Code	Section dim. HxD (mm)	Profile	Material	Pack Carton
Modules: 24				
GW 47 251	35x15	EN 50022 (DIN 35)	Galvanized metal	1/10
GW 47 252	2x(35x7.5)	Double EN 50022 (DIN 35)	Aluminium	1/10
GW 47 253	32x15	EN 50035 (G 32)	Galvanized metal	1/10

COMPLEMENTARY ITEMS

ACCESSORIES



GW 47 191

PAIR OF HINGES FOR FRONT PANELS

Code	Fixing type	Opening angle	Suitable for	Pack Carton
GW 47 191	Clip	90°	For panels H higher than 50 mm	1/20

ACCESSORIES SUPPLIED: 1 panel closing cap.

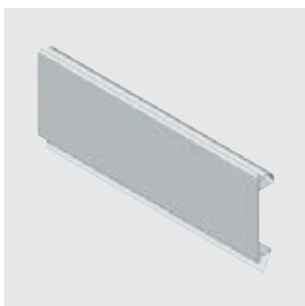


GW 47 194 E

PAIR OF SUPPORTS FOR THE FIXING OF WIRING TRUNKING

Code	Fixing type	Quantity	Pack Carton
GW 47 194 E	Clip on functional profile	2 pieces	1/20

APPLICATIONS: assembly of wiring trunking up to 60 mm width vertically and up to 40 mm horizontally.



GW 47 291

BLANKING MODULE PROFILE IN PLASTIC MATERIAL - COLOUR GREY RAL 7035

Code	No. of modules EN 50022	Pack Carton
GW 47 291	24	10

CHARACTERISTICS: clip fixing on DIN perforated front panels.



GW 49 209

DEPTH ADAPTER

Code	Length (mm)	Pack Carton
GW 49 209	600	1

APPLICATIONS: compensation of the different installation depths on DIN rail EN 50022 of the modular devices (90 range) and moulded case circuit breakers (MTX/M 160c - MTX/E 160 - MTX/M 250 range).



GW 47 193

PERFORATED AND THREADED EARTH BUSBAR

Code	Dimensions LxHxD (mm)	N./diam. of threaded holes	Step drilling	For distribution boards	Pack Carton
GW 47 193	575x20x5	24xM6	18 mm	Flush and surface mounting	1/5

ACCESSORIES SUPPLIED: fixing accessories. (2 screws and 2 nuts in cage M6) 24 tin-plated screws M6.



GW 46 447

ADHESIVE DOCUMENT POCKET

Code	Dimensions LxH (mm)	Pack Carton
GW 46 447	230x310	1/10



GW 47 192

SECURITY LOCK

Code	Characteristics	Pack Carton
GW 47 192	Yale type	1/10

NOTE: the lock is supplied with identical keys.



GW 47 195

NUT IN CAGE

Code	Characteristics	Pack Carton
GW 47 195	Galvanised steel	10/100

APPLICATIONS: it is suitable for mounting wiring trunking and accessories on functional profile.



GW 47 197

SET OF 4 METAL BRACKETS

Code	Characteristics	Pack Carton
GW 47 197	For fixing on plasterboard	1/10

SPARE PARTS



GW 47 113

SMOKED CURVED TEMPERED SAFETY GLASS DOORS FOR IP40 DISTRIBUTION BOARDS

Code	For boards LxH (mm)	Pack Carton
GW 47 111	600x600	1
GW 47 112	600x800	1
GW 47 113	600x1000	1

ACCESSORIES SUPPLIED: 2 mounting pins. 2 double-fin keys.



GW 47 123

SOLID DOORS IN PAINTED SHEET METAL FOR IP40 DISTRIBUTION BOARDS

Code	For boards LxH (mm)	Pack Carton
GW 47 121	600x600	1
GW 47 122	600x800	1
GW 47 123	600x1000	1

ACCESSORIES SUPPLIED: 2 mounting pins. 2 double-fin keys.

47 CVX 160 E

Wall-mounting distribution boards up to 160 A with extractable frame

The CVX 160 E range of surface-mounting distribution boards up to 160 A allow the creation of configurations to suit specific needs, from a minimum capacity of 72 modules to a maximum of 192, choosing the appropriate installation kit with 150 mm or 200 mm pitch. Furthermore, the extractable frame allows wiring desk and, subsequently, the installation of the wired frame inside the metal casing when the system is completed.



Technical characteristics page 320

STRUCTURES

IP30 DISTRIBUTION BOARDS



GW 47 002 E

MONOBLOC DISTRIBUTION BOARDS IN PAINTED SHEET STEEL - COLOUR GREY RAL 7035 WITHOUT DOOR - WITH EXTRACTABLE FRAME

Code	Functional dim. LxHxD (mm)	Outer dim. LxHxD (mm)	Pack Carton
GW 47 001 E	600x600x140	700x700x140	1
GW 47 002 E	600x800x140	700x900x140	1
GW 47 003 E	600x1000x140	700x1100x140	1
GW 47 004 E	600x1200x140	700x1300x140	1

ACCESSORIES SUPPLIED: 4 brackets complete with screws for wall mounting. 2 cable gland plates (upper and lower) complete with fixing screws.



GW 47 014 E

MONOBLOC DISTRIBUTION BOARDS IN PAINTED SHEET STEEL - COLOUR GREY RAL 7035 SMOKED CURVED TEMPERED SAFETY GLASS DOOR EQUIPPED WITH 2 LOCKS - WITH EXTRACTABLE FRAME

Code	Functional dim. LxHxD (mm)	Outer dim. LxHxD (mm)	Pack Carton
GW 47 011 E	600x600x200	700x700x200	1
GW 47 012 E	600x800x200	700x900x200	1
GW 47 013 E	600x1000x200	700x1100x200	1
GW 47 014 E	600x1200x200	700x1300x200	1

ACCESSORIES SUPPLIED: 4 brackets complete with screws for wall mounting. 2 cable gland plates (upper and lower) complete with fixing screws. 2 double-fin keys.



GW 47 024 E

MONOBLOC DISTRIBUTION BOARDS IN PAINTED SHEET STEEL - COLOUR GREY RAL 7035 SOLID SHEET METAL DOOR EQUIPPED WITH 2 LOCKS - WITH EXTRACTABLE FRAME

Code	Functional dim. LxHxD (mm)	Outer dim. LxHxD (mm)	Pack Carton
GW 47 021 E	600x600x170	700x700x170	1
GW 47 022 E	600x800x170	700x900x170	1
GW 47 023 E	600x1000x170	700x1100x170	1
GW 47 024 E	600x1200x170	700x1300x170	1

ACCESSORIES SUPPLIED: 4 brackets complete with screws for wall mounting. 2 cable gland plates (upper and lower) complete with fixing screws. 2 double-fin keys.

47 CVX 160 E

IP55 DISTRIBUTION BOARDS



GW 47 034 E

MONOBLOC DISTRIBUTION BOARDS IN PAINTED SHEET STEEL - COLOUR GREY RAL 7035 SMOKED CURVED TEMPERED SAFETY GLASS DOOR EQUIPPED WITH 2 LOCKS - WITH EXTRACTABLE FRAME

Code	Functional dim. LxHxD (mm)	Outer dim. LxHxD (mm)	Pack Carton
GW 47 031 E	600x600x200	700x700x200	1
GW 47 032 E	600x800x200	700x900x200	1
GW 47 033 E	600x1000x200	700x1100x200	1
GW 47 034 E	600x1200x200	700x1300x200	1

ACCESSORIES SUPPLIED: 4 brackets complete with screws for wall mounting. 2 cable gland plates (upper and lower) complete with fixing screws. 2 double-fin keys.
CHARACTERISTICS: sealing gaskets applied on the door and the cable gland plates.



GW 47 044 E

MONOBLOC DISTRIBUTION BOARDS IN PAINTED SHEET STEEL - COLOUR GREY RAL 7035 SOLID SHEET METAL DOOR EQUIPPED WITH 2 LOCKS - WITH EXTRACTABLE FRAME

Code	Functional dim. LxHxD (mm)	Outer dim. LxHxD (mm)	Pack Carton
GW 47 041 E	600x600x170	700x700x170	1
GW 47 042 E	600x800x170	700x900x170	1
GW 47 043 E	600x1000x170	700x1100x170	1
GW 47 044 E	600x1200x170	700x1300x170	1

ACCESSORIES SUPPLIED: 4 brackets complete with screws for wall mounting. 2 cable gland plates (upper and lower) complete with fixing screws. 2 double-fin keys.
CHARACTERISTICS: sealing gaskets applied on the door and the cable gland plates.

IP65 DISTRIBUTION BOARDS



GW 47 064 E

MONOBLOC DISTRIBUTION BOARDS IN PAINTED SHEET STEEL - COLOUR GREY RAL 7035 SOLID SHEET METAL DOOR EQUIPPED WITH ROD-MECHANISM LOCK - WITH EXTRACTABLE FRAME

Code	Functional dim. LxHxD (mm)	Outer dim. LxHxD (mm)	Pack Carton
GW 47 062 E	600x800x170	700x900x170	1
GW 47 063 E	600x1000x170	700x1100x170	1
GW 47 064 E	600x1200x170	700x1300x170	1

ACCESSORIES SUPPLIED: 4 brackets complete with screws for wall mounting. Key in zama.
CHARACTERISTICS: sealing gaskets applied on the door. Single lock with rod-mechanism lock with 4 mounting pins.

FRONT CONFIGURATION

INSTALLATION KIT FOR DEVICES ON DIN RAIL



GW 47 172

INSTALLATION KIT FOR MODULAR DEVICES (90 RANGE) AND MCCB'S UP TO 160 A (MTX/M 160C, MTX/E 160 RANGE) COMPLETE WITH FRONT PANELS WITH WINDOWS AND STANDARD DIN RAIL EN 50022 (DIN 35)

Code	Dimensions LxH (mm)	Section dim. HxD (mm)	Pack Carton
Modules: 24			
GW 47 171	600x150	35x15	1/10
GW 47 172	600x200	35x15	1/8

ACCESSORIES SUPPLIED: blanking module profile; pair of hinges; Standard EN 50022 (DIN 35) DIN rail in galvanised sheet metal with depth adjustment.

CHARACTERISTICS: quick coupling front panel, in Grey RAL 7035 insulating material, with ergonomic Blue RAL 5003 grip. Prearrangement of the panels for rotation hinges (included).

NOTES: for the assembly of the MTX MCCB's with or without add-on RCD, order the special kit for fixing to the DIN rail.

The coupling of RCD's and MCCB's requires the GW49209 depth adapter.

GW47172 suitable for modular devices of the 90 and MTX/M 160c, MTX/M 160c ranges with lowered "L" add-on residual current device and MTX/E 160.

INSTALLATION KIT FOR FIXED MCCB'S ON PLATE



GW 47 277

INSTALLATION KIT FOR A MCCB UP TO 160 A (MTX/M 160C, MTX/E 160 RANGE) COMPLETE WITH PERFORATED FRONT PANELS AND FIXING PLATES

Code	Dimensions LxH (mm)	For MCCB	No. of poles	Type	Installation	Pack Carton
Modules: 24						
GW 47 277	600x200	MTX/M 160c	3P - 4P	MCB	Horizontal	1/5
GW 47 278	600x200	MTX/E 160	3P - 4P	MCB	Horizontal	1/5
GW 47 279	600x200	MTX/M 160c	4P	MCB+ADD-ON RCD	Horizontal	1/5
GW 47 280	600x200	MTX/E 160	4P	MCB+ADD-ON RCD	Horizontal	1/5

ACCESSORIES SUPPLIED: galvanised sheet steel plates. Pair of hinges. fixing accessories.

CHARACTERISTICS: quick coupling front panel, in Grey RAL 7035 insulating material, with ergonomic Blue RAL 5003 grip; pre-arrangement of the panel perforations for the assembly of the covers of the MCCB's;

simple fixing of devices, thanks to the threaded bushings on the assembly plate; pre-arrangement for the assembly of the panel hinges (included).

GW47279 not suitable for lowered "L" add-on residual current device.

INSTALLATION KIT FOR COUNTRY-SPECIFIC DEVICES



GW 47 261

FRONT PANEL COMPLETE WITH MOUNTING RAILS EN 50 022 AND ENCLOSURE FOR HOUSING POWER LIMITING CIRCUIT BREAKER ICP IN=40 A - SPANISH STANDARD

Code	Suited for EN 50022	Dimensions LxH (mm)	No. EN 50022 mod. ICP sect.	Pack Carton
GW 47 261	36 modules (2x18)	600x300	4	1/5

ACCESSORIES SUPPLIED: enclosure for housing power limiter "ICP" with classification UNESA 1407-D, CS-ICP 32. Blanking module profile, fixing accessories.

CHARACTERISTICS: pre-galvanised metal plate with prearrangement for the installation of the mains switch; possibility of mounting modular devices or DIN hook-up components on the lateral profiles EN 50022; painted sheet metal panels (Grey RAL 7035).



GW 47 262

FRONT PANEL WITH WINDOW COMPLETE WITH EN 50 022 RAILS AND PLATES FOR FIXING SUPPORT BASES FOR THE EDF BLUE TARIFF CONNECTING SWITCH - FRENCH STANDARD

Code	Dimensions LxH (mm)	Suitable for	Suited for EN 50022	Pack Carton
GW 47 262	600x300	Command lock	24 modules (2x12)	1/5

ACCESSORIES SUPPLIED: blanking module profile. Fixing accessories. Earthing set.

CHARACTERISTICS: pre-galvanised metal plate with prearrangement for the installation of the mains switch.

FRONT PANELS



GW 47 179

FRONT PANELS WITH WINDOW FOR MODULAR DEVICES

Code	Dimensions LxH (mm)	Pack Carton
Modules: 24		
GW 47 178	600x150	1/10
GW 47 179	600x200	1/10

ACCESSORIES SUPPLIED: blanking module profile. Pair of hinges.

CHARACTERISTICS: quick coupling front panel, in Grey RAL 7035 insulating material, with ergonomic Blue RAL 5003 grip; prearrangement of the panels for rotation hinges (included).



GW 47 175

BLANK FRONT PANELS

Code	Dimensions LxH (mm)	Pack Carton
Modules: 24		
GW 47 173	600x50	1/10
GW 47 174	600x150	1/10
GW 47 175	600x200	1/10

ACCESSORIES SUPPLIED: pair of hinges.

CHARACTERISTICS: quick coupling front panel, in Grey RAL 7035 insulating material, with ergonomic Blue RAL 5003 grip. Prearrangement of the panels, except GW47173, for rotation hinges (included)



GW 47 177

FRONT PANELS FOR MEASURING INSTRUMENTS AND THREE-WAY SWITCHES

Code	Dimensions LxH (mm)	3-way switch no. x hole Ø	Instruments N. x dimensions	Pack Carton
Modules: 24				
GW 47 176	600x200	1 Ø9.5 mm	4 72x72 mm	1/10
GW 47 177	600x200	1 Ø9.5 mm	4 96x96 mm	1/10

ACCESSORIES SUPPLIED: pair of hinges.

APPLICATIONS: installation of ammeters, voltmeters, voltmeter/ammeter three-way switches and earth leakage relays for distribution boards.

CHARACTERISTICS: quick coupling front panel, in Grey RAL 7035 insulating material, with ergonomic Blue RAL 5003 grip; prearrangement of the panels for rotation hinges (included).

INTERNAL CONFIGURATION



GW 47 181

DIN RAILS FOR MODULAR DEVICES AND TERMINALS COMPLETE WITH BRACKETS AND SUPPORTS FOR ASSEMBLY

Code	Section dim. HxD (mm)	Profile	Material	Pack Carton
Modules: 24				
GW 47 181	35x15	EN 50022 (DIN 35)	Galvanized metal	1/10
GW 47 183	2x(35x7.5)	Double EN 50022 (DIN 35)	Aluminium	1/10
GW 47 182	32x15	EN 50035 (G 32)	Galvanized metal	1/10

BACK-MOUNTING PLATES



GW 47 186

BACK-MOUNTING PLATES FOR NON-MODULAR DEVICES COMPLETE WITH MOUNTING SUPPORTS

Code	Dimensions LxH (mm)	No. mounting straps	Pack Carton
Modules: 24			
GW 47 186	600x200	2	1/5
GW 47 187	600x400	4	1/5

ACCESSORIES SUPPLIED: support brackets and relative fixing accessories.

CHARACTERISTICS: possibility to adjust the depth of the plate; hot galvanised sheet metal plate 15/10 mm thick.

COMPLEMENTARY ITEMS

ACCESSORIES



GW 47 191

PAIR OF HINGES FOR FRONT PANELS

Code	Fixing type	Opening angle	Suitable for	Pack Carton
GW 47 191	Clip	90°	For panels H higher than 50 mm	1/20

ACCESSORIES SUPPLIED: 1 panel closing cap.

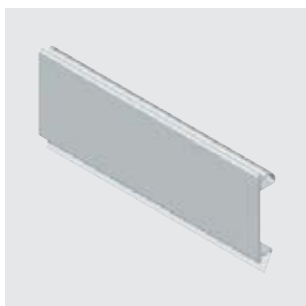


GW 47 194 E

PAIR OF SUPPORTS FOR THE FIXING OF WIRING TRUNKING

Code	Fixing type	Quantity	Pack Carton
GW 47 194 E	Clip on functional profile	2 pieces	1/20

APPLICATIONS: assembly of wiring trunking up to 60 mm width vertically and up to 40 mm horizontally.



GW 47 291

BLANKING MODULE PROFILE IN PLASTIC MATERIAL - COLOUR GREY RAL 7035

Code	No. of modules EN 50022	Pack Carton
GW 47 291	24	10

CHARACTERISTICS: clip fixing on DIN perforated front panels.



GW 49 209

DEPTH ADAPTER

Code	Length (mm)	Pack Carton
GW 49 209	600	1

APPLICATIONS: compensation of the different installation depths on DIN rail EN 50022 of the modular devices (90 range) and moulded case circuit breakers (MTX/M 160c - MTX/E 160 - MTX/M 250 range).



GW 47 193

PERFORATED AND THREADED EARTH BUSBAR

Code	Dimensions LxHxD (mm)	N./diam. of threaded holes	Step drilling	For distribution boards	Pack Carton
GW 47 193	575x20x5	24xM6	18 mm	Flush and surface mounting	1/5

ACCESSORIES SUPPLIED: fixing accessories. (2 screws and 2 nuts in cage M6) 24 tin-plated screws M6.



GW 45 538

EARTH TERMINAL BLOCKS

Code	For distribution boards	Section (mm ²)	N. terminal and section (mm ²)	Step drilling (mm)	Pack Carton
GW 45 538	L=600	10x7	2x(1x35+11x16+13x10)	6.5 mm	1



GW 46 447

ADHESIVE DOCUMENT POCKET

Code	Dimensions LxH (mm)	Pack Carton
GW 46 447	230x310	1/10



GW 47 192

SECURITY LOCK

Code	Characteristics	Pack Carton
GW 47 192	Yale type	1/10

NOTE: the lock is supplied with identical keys.
It's not suited for IP65 version.



GW 47 195

NUT IN CAGE

Code	Characteristics	Pack Carton
GW 47 195	Galvanised steel	10/100

APPLICATIONS: it is suitable for mounting wiring trunking and accessories on functional profile.

SPARE PARTS



GW 47 114

SMOKED CURVED TEMPERED SAFETY GLASS DOORS FOR IP40 DISTRIBUTION BOARDS

Code	For boards LxH (mm)	Pack Carton
GW 47 111	600x600	1
GW 47 112	600x800	1
GW 47 113	600x1000	1
GW 47 114	600x1200	1

ACCESSORIES SUPPLIED: 2 mounting pins, 2 double-fin keys.



GW 47 124



GW 47 134

SMOKED CURVED TEMPERED SAFETY GLASS DOOR FOR IP55 DISTRIBUTION BOARD

Code	For boards LxH (mm)	Pack Carton
GW 47 131	600x600	1
GW 47 132	600x800	1
GW 47 133	600x1000	1
GW 47 134	600x1200	1

ACCESSORIES SUPPLIED: 2 mounting pins, 2 double-fin keys.



GW 47 144

SOLID DOORS IN PAINTED SHEET METAL FOR IP55 DISTRIBUTION BOARDS

Code	For boards LxH (mm)	Pack Carton
GW 47 141	600x600	1
GW 47 142	600x800	1
GW 47 143	600x1000	1
GW 47 144	600x1200	1

ACCESSORIES SUPPLIED: 2 mounting pins, 2 double-fin keys.

47 CVX 160 E



GW 47 164

SOLID DOORS IN PAINTED SHEET STEEL FOR IP65 DISTRIBUTION BOARDS EQUIPPED WITH ROD-MECHANISM CLOSURES

Code	For boards LxH (mm)	Pack Carton
GW 47 162	600x800	1
GW 47 163	600x1000	1
GW 47 164	600x1200	1

ACCESSORIES SUPPLIED: 4 mounting pins. Key in zama.



GW 47 198

CABLE GLAND PLATE - COLOUR BLUE RAL 5003

Code	Description	No. of pieces	Material	Pack Carton
GW 47 198	Top/Bottom plate	1	Plastic	1/10

47 CVX 630 K

Modular distribution boards up to 630 A - IP 43

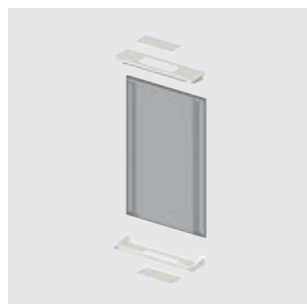
The CVX 630 K range of modular distribution boards up to 630 A, designed to make the wiring and mounting operations easier and quicker. In fact it is possible to carry out the “completely open structure” wiring and then to complete the assembly of the board. Available both in the surface-mounting version up to 1200 mm and floor-mounting version up to 2000 mm.



Technical characteristics page 324

STRUCTURAL ELEMENTS

WALL-MOUNTING DISTRIBUTION BOARDS



GW 45 004

MODULAR SIDE-BY-SIDE WALL-MOUNTING STRUCTURES IN PAINTED SHEET STEEL COLOUR GREY RAL 7035 - COMPLETE WITH FUNCTIONAL FRAMES, CABLE GLAND PLATES

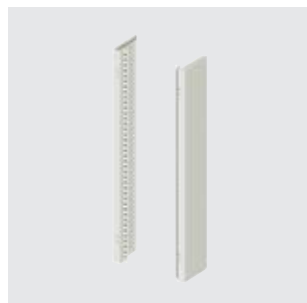
Code	Functional dim. LxHxD (mm)	Outer dim. LxHxD (mm)	Pack Carton
GW 45 004	600x1000x230	650x1040x237	1
GW 45 005	600x1200x230	650x1240x237	1
GW 45 014	850x1000x230	850x1040x237	1
GW 45 015	850x1200x230	850x1240x237	1

ACCESSORIES SUPPLIED: 2 cable gland plates with fixing screws for distribution boards L=600 mm.

6 cable gland plates with fixing screws for distribution boards L=850 mm.

NOTE: wall-mounting fixing with wall plugs. For fixing without wall plugs, order GW45536 separately (4 fixing brackets).

SIDE PLATES FOR WALL-MOUNTING DISTRIBUTION BOARDS



GW 45 024

PAIR OF SIDE PLATES FOR WALL-MOUNTING DISTRIBUTION BOARDS IN PAINTED SHEET STEEL

Code	For structures HxD (mm)	Pack Carton
GW 45 024	1000x230	1
GW 45 025	1200x230	1

ACCESSORIES SUPPLIED: screws for fixing to the structure.

FLOOR-MOUNTING DISTRIBUTION BOARDS



GW 45 009

MODULAR SIDE-BY-SIDE FLOOR-MOUNTING STRUCTURES IN PAINTED SHEET STEEL COLOUR GREY RAL 7035 - COMPLETE WITH FUNCTIONAL FRAMES, CABLE GLAND PLATES AND INSPECTABLE PLINTH H = 100 MM - COLOUR BLUE RAL 5003

Code	Functional dim. LxHxD (mm)	Outer dim. LxHxD (mm)	Pack Carton
GW 45 007	600x1600x230	650x1740x237	1
GW 45 008	600x1800x230	650x1940x237	1
GW 45 009	600x2000x230	650x2140x237	1
GW 45 017	850x1600x230	850x1740x237	1
GW 45 018	850x1800x230	850x1940x237	1
GW 45 019	850x2000x230	850x2140x237	1

ACCESSORIES SUPPLIED: 1 cable gland plate complete with fixing screws for the distribution boards L =600 mm,

3 cable gland plates complete with fixing screws for the distribution boards L=850 mm, 2 brackets for wall-mounting.

NOTE: the external dimensions of the board also include the dimensions of the plinth (H=100 mm).

47 CVX 630 K

SIDE PLATES FOR FLOOR-MOUNTING DISTRIBUTION BOARDS



GW 45 029

PAIR OF SIDE PLATES FOR FLOOR-MOUNTING DISTRIBUTION BOARDS IN PAINTED SHEET STEEL

Code	For structures HxD (mm)	Pack Carton
GW 45 027	1600x230	1
GW 45 028	1800x230	1
GW 45 029	2000x230	1

ACCESSORIES SUPPLIED: screws for fixing to the structure.

DOORS



GW 45 109

TRANSPARENT DOORS IN CURVED, SMOKED GLASS, TEMPERED FOR SAFETY AND FITTED WITH HANDLE AND ROD-MECHANISM LOCK

Code	For structures LxH (mm)	Pack Carton
GW 45 104	600x1000	1
GW 45 105	600x1200	1
GW 45 107	600x1600	1
GW 45 108	600x1800	1
GW 45 109	600x2000	1
GW 45 114	850x1000	1
GW 45 115	850x1200	1
GW 45 117	850x1600	1
GW 45 118	850x1800	1
GW 45 119	850x2000	1

ACCESSORIES SUPPLIED: assembly hinges; key in zama.

CHARACTERISTICS: possibility to assemble the door with reversible opening (right/left); painted sheet metal, Grey RAL 7035.



GW 45 129

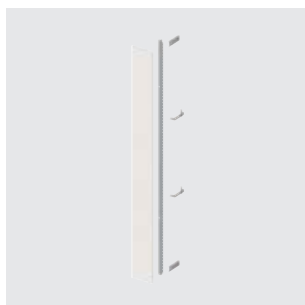
BLANK DOORS IN PAINTED SHEET METAL, FITTED WITH HANDLE AND ROD-MECHANISM LOCK

Code	For structures LxH (mm)	Pack Carton
GW 45 124	600x1000	1
GW 45 125	600x1200	1
GW 45 127	600x1600	1
GW 45 128	600x1800	1
GW 45 129	600x2000	1
GW 45 134	850x1000	1
GW 45 135	850x1200	1
GW 45 137	850x1600	1
GW 45 138	850x1800	1
GW 45 139	850x2000	1

ACCESSORIES SUPPLIED: assembly hinges; key in zama.

CHARACTERISTICS: possibility to assemble the door with reversible opening (right/left); painted sheet metal, Grey RAL 7035.

INTERNAL CABLE COMPARTMENT



GW 45 039

INTERNAL CABLE COMPARTMENT KIT FOR MODULAR DISTRIBUTION BOARDS, COMPLETE WITH HINGED COVER

Code	For structures LxH (mm)	Pack Carton
GW 45 034	850x1000	1
GW 45 035	850x1200	1
GW 45 037	850x1600	1
GW 45 038	850x1800	1
GW 45 039	850x2000	1

ACCESSORIES SUPPLIED: panel in painted sheet metal colour Grey RAL 7035.

CHARACTERISTICS: possibility to assemble the internal cable compartment at the right or at the left side for board L=850 mm.

EXTERNAL CABLE COMPARTMENT



GW 45 049

EXTERNAL CABLE COMPARTMENT KIT FOR MODULAR DISTRIBUTION BOARDS AND INSPECTABLE PLINTH H=100 COLOUR BLUE RAL 5003

Code	Functional dim. LxHxD (mm)	Outer dim. LxHxD (mm)	Pack Carton
GW 45 047	400x1600x230	400x1740x237	1
GW 45 048	400x1800x230	400x1940x237	1
GW 45 049	400x2000x230	400x2140x237	1

ACCESSORIES SUPPLIED: 1 cable gland plate complete with fixing screws.

NOTES: the external compartment can be put together with the structure by using the special side by side kit.

The external dimensions of the external cable compartment also include the dimensions of the plinth (H=100 mm).



GW 45 149

INTERNAL/EXTERNAL BLANK DOORS IN PAINTED SHEET METAL

Code	For structures LxH (mm)	Pack Carton
Description: External door		
GW 45 147	400x1600	1
GW 45 148	400x1800	1
GW 45 149	400x2000	1
Description: Internal door		
GW 45 352	400x1600	1
GW 45 353	400x1800	1
GW 45 354	400x2000	1

ACCESSORIES SUPPLIED: external door equipped with rod-mechanism lock and key in zama.

NOTES: the internal doors are used on an external cable compartment put together with an IP30 structure without door.

The internal doors can be used also as inner door in the external door version.

CHARACTERISTICS: possibility to assemble the door with reversible opening (right/left); sheet metal painted with epoxy-polyester powders, Grey RAL 7035; for the external door possibility of replacing the rotary handle closure with a security lock.

FRONT CONFIGURATION

INSTALLATION KIT FOR DEVICES ON DIN RAIL



GW 45 202

INSTALLATION KIT FOR MODULAR DEVICES (90 RANGE) AND MCCB'S UP TO 250 A (MTX/M 160c, MTX/E 160, MTX/M 250 RANGE) COMPLETE WITH PANELS WITH WINDOWS AND DOUBLE DIN RAIL EN 50022 (DIN 35) IN ALUMINIUM

Code	Dimensions LxH (mm)	Section dim. HxD (mm)	Pack Carton
No. modules: 10			
GW 45 291	400x150	2x(35x7.5)	1
GW 45 292	400x200	2x(35x7.5)	1
GW 45 293	400x300	2x(35x7.5)	1
No. modules: 24			
GW 45 201	600x150	2x(35x7.5)	1
GW 45 202	600x200	2x(35x7.5)	1
GW 45 203	600x300	2x(35x7.5)	1
GW 45 204	600x300	2x(35x7.5)	1
No. modules: 36			
GW 45 206	850x150	2x(35x7.5)	1
GW 45 207	850x200	2x(35x7.5)	1
GW 45 208	850x300	2x(35x7.5)	1
GW 45 209	850x300	2x(35x7.5)	1

ACCESSORIES SUPPLIED: double EN 50022 (DIN 35) rail in aluminium; 2 screws for mounting the DIN rail; 2 support brackets in galvanised sheet metal; fixing accessories.

CHARACTERISTICS: front panel in painted sheet metal colour Grey RAL 7035; panel earthing by contact; captive panel fixing screws; prearrangement of the panels for rotation hinges.

NOTES: for the assembly of the MCCB's with or without add-on RCD, order the special kit for fixing to the DIN rail.

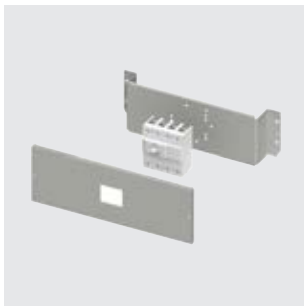
The coupling of modular and MCCB's requires the GW49209 depth adapter.

GW45291 - GW45201/6 for modular devices of the 90 range only.

GW45292/3 - GW45202/3/7/8 suitable for modular devices of the 90 and MTX/M 160c, MTX/M 160c ranges with lowered "L" add-on residual current device, MTX/E 160, MTX/M 250.

GW45204/9 specific version for MTX/M 160c, MTX/E 160, MTX/M 250 with "L" add-on residual current device.

INSTALLATION KIT FOR MTX MCCB'S FIXED ON PLATE



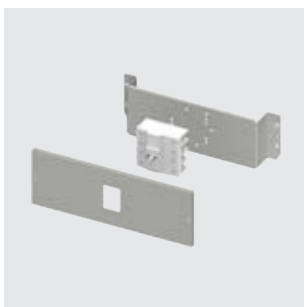
GW 45 236

INSTALLATION KIT FOR MCCB'S UP TO 630 A, IN FIXED ASSEMBLY COMPLETE WITH PERFORATED FRONT PANEL AND FIXING PLATE

Code	Dimensions LxH (mm)	Suitable for	No. of poles	Installation	Pack Carton
No. modules: 10					
GW 45 243	400x200	MTX/M 160c	3P - 4P	Vertical	1
GW 45 244	400x200	MTX/E 160	3P - 4P	Vertical	1
GW 45 245	400x300	MTX/M 250	3P - 4P	Vertical	1
GW 45 246	400x400	MTX/E/M 320	3P - 4P	Vertical	1
GW 45 247	400x400	MTXM 400-MTX/E/M 630	3P - 4P	Vertical	1
No. modules: 24					
GW 45 236	600x300	MTX/M 250	3P - 4P	Vertical	1
GW 45 237	600x400	MTX/E/M 320	3P - 4P	Vertical	1
GW 45 238	600x400	MTXM 400-MTX/E/M 630	3P - 4P	Vertical	1

ACCESSORIES SUPPLIED: galvanised sheet metal support plate; fixing accessories.

CHARACTERISTICS: front panel in painted sheet metal colour Grey RAL 7035; earthing by contact; captive panel fixing screws; prearrangement of the panels for rotation hinges.



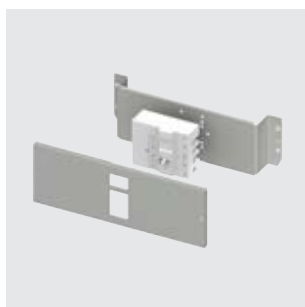
GW 45 273

INSTALLATION KIT FOR MCCB'S UP TO 630 A, IN FIXED ASSEMBLY COMPLETE WITH PERFORATED FRONT PANEL AND FIXING PLATE

Code	Dimensions LxH (mm)	Suitable for	No. of poles	Installation	Pack Carton
No. modules: 24					
GW 45 271	600x200	MTX/M 160c	3P - 4P	Horizontal	1
GW 45 272	600x200	MTX/E 160	3P - 4P	Horizontal	1
GW 45 273	600x200	MTX/M 250	3P - 4P	Horizontal	1
GW 45 274	600x200	MTX/E/M 320	3P - 4P	Horizontal	1
GW 45 275	600x300	MTXM 400-MTX/E/M 630	3P - 4P	Horizontal	1
No. modules: 36					
GW 45 276	850x200	MTX/M 250	3P - 4P	Horizontal	1
GW 45 277	850x200	MTX/E/M 320	3P - 4P	Horizontal	1
GW 45 278	850x300	MTXM 400-MTX/E/M 630	3P - 4P	Horizontal	1

ACCESSORIES SUPPLIED: galvanised sheet metal support plate; fixing accessories.

CHARACTERISTICS: front panel in painted sheet metal colour Grey RAL 7035; earthing by contact; captive panel fixing screws; prearrangement of the panels for rotation hinges.



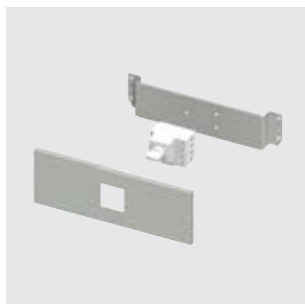
GW 45 283

**INSTALLATION KIT FOR MCCB'S UP TO 500 A
WITH ADD-ON RESIDUAL CURRENT DEVICE IN FIXED ASSEMBLY
COMPLETE WITH PERFORATED FRONT PANEL AND FIXING PLATE**

Code	Dimensions LxH (mm)	Suitable for	No. of poles	Installation	Pack Carton
No. modules: 10					
GW 45 248	400x300	MTX/M 160c	4P	Vertical	1
GW 45 249	400x400	MTX/M 250	4P	Vertical	1
No. modules: 24					
GW 45 281	600x200	MTX/M 160c	4P	Horizontal	1
GW 45 282	600x200	MTX/E 160	4P	Horizontal	1
GW 45 283	600x200	MTX/M 250	4P	Horizontal	1
GW 45 284	600x200	MTX/E/M 320	4P	Horizontal	1
GW 45 285	600x300	MTXM 400-MTX/E/M 630	4P	Horizontal	1
No. modules: 36					
GW 45 286	850x200	MTX/M 160c	4P	Horizontal	1
GW 45 287	850x200	MTX/E 160	4P	Horizontal	1
GW 45 288	850x200	MTX/M 250	4P	Horizontal	1
GW 45 289	850x200	MTX/E/M 320	4P	Horizontal	1
GW 45 290	850x300	MTXM 400-MTX/E/M 630	4P	Horizontal	1

ACCESSORIES SUPPLIED: galvanised sheet metal support plate; fixing accessories.

CHARACTERISTICS: front panel in painted sheet metal colour Grey RAL 7035; earthing by contact; captive panel fixing screws; prearrangement of the panels for rotation hinges. GW45281/6 not suitable for lowered "L" add-on residual current device.



GW 45 262

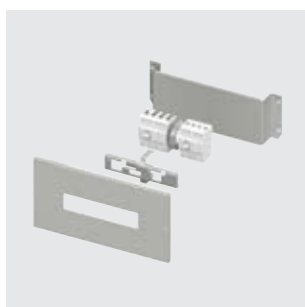
INSTALLATION KIT FOR MCCB'S UP TO 250 A WITH DIRECT ROTARY HANDLE OR MOTOR OPERATING, COMPLETE WITH PERFORATED PANEL AND FIXING PLATE

Code	Dimensions LxH (mm)	Suitable for	No. of poles	Installation	Complete with	Pack Carton
No. modules: 24						
GW 45 261	600x200	MTX/M 160c	3P - 4P	Horizontal	Direct rotary handle	1
GW 45 262	600x200	MTX/E160	3P - 4P	Horizontal	Direct rotary handle	1
GW 45 263	600x200	MTX/M 250	3P - 4P	Horizontal	Direct rotary handle	1
GW 45 266	600x200	MTX/M 160c	3P - 4P	Horizontal	Motor operating	1
GW 45 267	600x200	MTX/E 160	3P - 4P	Horizontal	Motor operating	1
GW 45 268	600x200	MTX/M 250	3P - 4P	Horizontal	Motor operating	1

ACCESSORIES SUPPLIED: galvanised sheet metal support plate; fixing accessories.

CHARACTERISTICS: front panel in painted sheet metal colour Grey RAL 7035; earthing by contact; captive panel fixing screws; prearrangement of the panels for rotation hinges.

NOTES: for these kits it is not possible to assemble the busbars on the back plate (passing behind the plate of the kit itself). The installation kits for MCCB's with a direct rotating handle are not compatible with the blank board door.



GW 45 601

INSTALLATION KIT FOR INTERLOCKED MCCB'S UP TO 250 A, COMPLETE WITH PERFORATED FRONT PANEL AND FIXING PLATE

Code	Dimensions LxH (mm)	Suitable for	No. of poles	Installation	Control	Pack Carton
No. modules: 24						
GW 45 601	600x300	MTX/M 160c-MTX/E 160-MTX/M 250	3P - 4P	Vertical	Lever	1

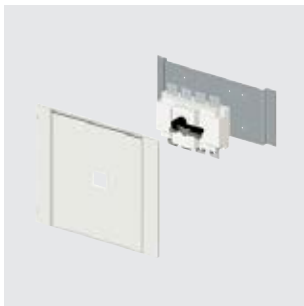
ACCESSORIES SUPPLIED: galvanised sheet metal support plate; fixing accessories.

CHARACTERISTICS: front panel in painted sheet metal colour Grey RAL 7035; earthing by contact; captive panel fixing screws; prearrangement of the panels for rotation hinges.

NOTE: possibility of front interlock between any 2 circuit breakers of the following types: MTX/M 160c - MTX/E 160 - MTX/M 250.

Interlock system to be purchased separately.

INSTALLATION KIT FOR MSS SWITCH DISCONNECTORS FIXED ON PLATE



GW 45 252

INSTALLATION KIT FOR SWITCH-DISCONNECTORS IN FIXED ASSEMBLY COMPLETE WITH PERFORATED FRONT PANEL AND FIXING PLATE

Code	Dimensions LxH (mm)	Suitable for	No. of poles	Installation	Pack Carton
No. modules: 10					
GW 45 298	400x300	MSS 250	3P - 4P	Vertical	1
GW 45 299	400x500	MSS 630	3P - 4P	Vertical	1
No. modules: 24					
GW 45 251	600x300	MSS 250	3P - 4P	Horizontal/Vertical	1
GW 45 252	600x500	MSS 630	3P - 4P	Vertical	1
GW 45 256	600x400	MSS 630	3P - 4P	Horizontal	1
No. modules: 36					
GW 45 253	850x300	MSS 250	3P - 4P	Horizontal/Vertical	1
GW 45 254	850x500	MSS 630	3P - 4P	Vertical	1
GW 45 257	850x400	MSS 630	3P - 4P	Horizontal	1

ACCESSORIES SUPPLIED: galvanised sheet metal support plate; fixing accessories.

CHARACTERISTICS: front panel in painted sheet metal colour Grey RAL 7035; earthing by contact; captive panel fixing screws; prearrangement of the panels for rotation hinges.

NOTE: the installation kits for switch disconnectors are not compatible with the blank door of distribution board.

FRONT PANELS



GW 45 304

BLANK FRONT PANELS

Code	Dimensions LxH (mm)	Pack Carton
No. modules: 10		
GW 45 341	400x50	1
GW 45 342	400x100	1
GW 45 343	400x150	1
GW 45 344	400x200	1
GW 45 345	400x300	1
GW 45 346	400x400	1
GW 45 347	400x600	1
GW 45 348	400x800	1
No. modules: 24		
GW 45 301	600x50	1
GW 45 302	600x100	1
GW 45 303	600x150	1
GW 45 304	600x200	1
GW 45 305	600x300	1
GW 45 306	600x400	1
GW 45 307	600x600	1
No. modules: 36		
GW 45 321	850x50	1
GW 45 322	850x100	1
GW 45 323	850x150	1
GW 45 324	850x200	1
GW 45 325	850x300	1
GW 45 326	850x400	1
GW 45 327	850x600	1

ACCESSORIES SUPPLIED: fixing accessories.

CHARACTERISTICS: front panel in painted sheet metal colour Grey RAL 7035; earthing by contact; captive panel fixing screws; pre-arrangement of panels for rotation hinges (except for GW45301/2 and GW45321/2).



GW 45 374

METAL FRONT PANELS FOR MEASURING INSTRUMENTS AND THREE-WAY SWITCHES

Code	Dimensions LxH (mm)	3-way switch no. x hole Ø	Instruments N. x dimensions	Pack Carton
No. modules: 24				
GW 45 374	600x200	1 Ø 9.5 mm	4 96x96 mm	1
No. modules: 36				
GW 45 379	850x200	1 Ø 9.5 mm	4 96x96 mm	1

ACCESSORIES SUPPLIED: fixing accessories.

CHARACTERISTICS: front panel in painted sheet metal colour Grey RAL 7035; earthing by contact; captive panel fixing screws; prearrangement of the panels for rotation hinges.

APPLICATIONS: installation of ammeters, voltmeters, voltmeter/ammeter three-way switches.



GW 45 362

AERATION FRONT PANELS

Code	Dimensions LxH (mm)	Pack Carton
No. modules: 24		
GW 45 362	600x200	1
No. modules: 36		
GW 45 367	850x200	1

ACCESSORIES SUPPLIED: fixing accessories.

CHARACTERISTICS: front panel in painted sheet metal colour Grey RAL 7035; earthing by contact; captive panel fixing screws; prearrangement of the panels for rotation hinges.

APPLICATIONS: natural ventilation in wall and floor-mounting distribution boards.

INTERNAL CONFIGURATION

DIN RAILS



GW 45 401

DIN RAILS FOR MODULAR DEVICES (90 RANGE) AND MCCBS UP TO 250 A (MTX/M 160C, MTX/E 160, MTX/M 250 RANGE) COMPLETE WITH BRACKETS FOR ASSEMBLY

Code	Section dim. HxD (mm)	Profile	Material	Pack Carton
No. modules: 24				
GW 45 401	2x(35x7.5)	Double EN 50022 (DIN 35)	Aluminium	1
No. modules: 36				
GW 45 402	2x(35x7.5)	Double EN 50022 (DIN 35)	Aluminium	1

ACCESSORIES SUPPLIED: double EN 50022 (DIN 35) rail in aluminium; 2 screws for mounting the DIN rail. 2 support brackets in galvanised sheet metal; fixing accessories.

BACK-MOUNTING PLATES



GW 45 422

BACK-MOUNTING PLATES FOR NON-MODULAR DEVICES, COMPLETE WITH FIXING SUPPORTS

Code	Dimensions LxH (mm)	Pack Carton
No. modules: 10		
GW 45 406	400x300	1
No. modules: 24		
GW 45 421	600x200	1
GW 45 422	600x400	1
GW 45 423	600x600	1
No. modules: 36		
GW 45 431	850x200	1
GW 45 432	850x400	1
GW 45 433	850x600	1

ACCESSORIES SUPPLIED: fixing accessories.

CHARACTERISTICS: galvanised sheet metal plate (20/10 mm thick).

DIVIDERS

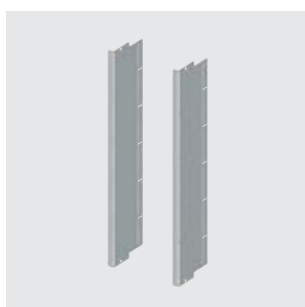


GW 45 451

HORIZONTAL DIVIDING RAILS IN THE STRUCTURE

Code	Width (mm)	Pack Carton
No. modules: 24		
GW 45 451	600	1
No. modules: 36		
GW 45 452	850	1

CHARACTERISTICS: allow the internal separation of the distribution board.



GW 45 449

VERTICAL DIVIDING RAILS IN THE STRUCTURE AND IN THE CABLE COMPARTMENT

Code	Height H (mm)	Pack Carton
Suitable for: internal cable compartment		
GW 45 444	1000	1
GW 45 445	1200	1
GW 45 447	1600	1
GW 45 448	1800	1
GW 45 449	2000	1
Suitable for: structures / ext. cable comp.		
GW 45 467	1600	1
GW 45 468	1800	1
GW 45 469	2000	1

CHARACTERISTICS: allow the internal separation (form 2B) in the case of busbar in the cable compartment.

COMPLEMENTARY ITEMS

ACCESSORIES

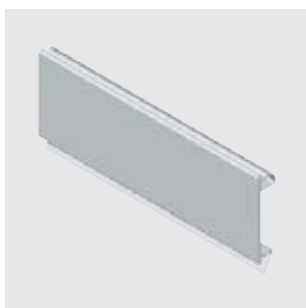


GW 49 209

DEPTH ADAPTER

Code	Length (mm)	Pack Carton
GW 49 209	600	1

APPLICATIONS: compensation of the different installation depths on DIN rail EN 50022 of the modular devices (90 range) and moulded case circuit breakers (MTX/M 160c - MTX/E 160 - MTX/M 250 range).

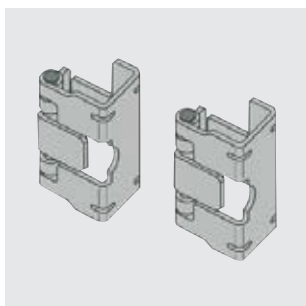


GW 47 291

BLANKING MODULE PROFILE IN PLASTIC MATERIAL - COLOUR GREY RAL 7035

Code	No. of modules EN 50022	Pack Carton
GW 47 291	24	10

CHARACTERISTICS: clip fixing on DIN perforated front panels.



GW 45 532

PAIR OF METAL HINGES FOR FRONT PANELS

Code	Fixing type	Opening angle	Suitable for	Pack Carton
GW 45 532	With screw	90°	For panels H higher than 100 mm	1

ACCESSORIES SUPPLIED: panel closure cap.

CHARACTERISTICS: additional earthing of the panel by contact.

APPLICATIONS: option of hinging front panels.

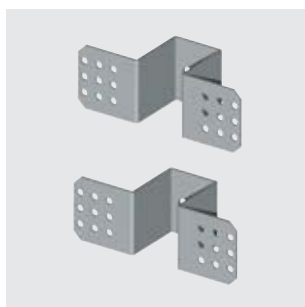


GW 47 691

DIN PROFILES

Code	Section dim. HxD (mm)	Profile	Material	Pack Carton
Length: 24 modules				
GW 45 411	35x15	EN 50022 (DIN 35)	Galvanized metal	1
GW 45 412	32x15	EN 50035 (G 32)	Galvanized metal	1
Length: 36 modules				
GW 45 416	35x15	EN 50022 (DIN 35)	Galvanized metal	1
GW 45 417	32x15	EN 50035 (G 32)	Galvanized metal	1
Length: 2000 mm				
GW 47 691	35x15	EN 50022 (DIN 35)	Galvanized metal	1/5
GW 47 692	32x15	EN 50035 (G 32)	Galvanized metal	1/5
GW 47 693	30x15	EN 50024 (C30)	Galvanized metal	1/5

NOTE: the DIN profiles with 24 and 36 modules can be fixed directly on the frame.



GW 45 521

PAIR OF SUPPORTS FOR WIRING TRUNKING

Code	Installation	Suitable for	Pack Carton
GW 45 521	Horizontal/Vertical	Distribution boards L=600/850 mm	1

APPLICATIONS: both horizontal and vertical assembly of wiring trunking up to 80x80 mm.



GW 45 526

PAIR OF SUPPORTS FOR HORIZONTAL TERMINAL BLOCK

Code	Suitable for	Pack Carton
GW 45 526	Distribution boards L=600/850 mm	1



GW 45 527

PAIR OF SUPPORTS FOR VERTICAL TERMINAL BLOCK

Code	Suitable for	Pack Carton
GW 45 527	internal cable compartment	1
GW 45 528	External cable compartment	1



GW 46 448

VENTILATION KIT

Code	IP degree	Rated voltage	Fixing hole (mm)	Screws centre distance (mm)	Pack Carton
GW 46 448	IP44	230 V - 50 / 60 Hz	125x117	123x115	1/2

CHARACTERISTICS: the fan takes in air from the outside and introduces it into the distribution board, creating a slight overpressure that prevents foreign particles from entering. Max fan capacity 60 m³/h. Absorbed power equal to 20 W.

APPLICATIONS: forced ventilation in critical thermal conditions.

ACCESSORIES SUPPLIED: drilling template.

47 CVX 630 K



GW 46 471

AERATION KIT

Code	IP degree	Fixing hole (mm)	Screws centre distance (mm)	Pack Carton
GW 46 471	IP44	125x117	123x115	1/10

ACCESSORIES SUPPLIED: drilling template.

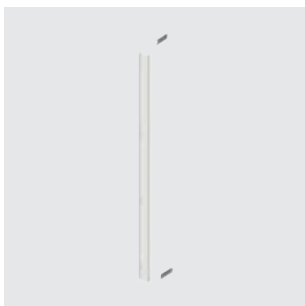


GW 45 512

ADDITIONAL PLINTH H=100 COLOUR BLUE RAL 5003 PAINTED WITH REMOVABLE FRONT AND REAR PANELS

Code	Dimensions LxD (mm)	Pack Carton
GW 45 511	400x230	1
GW 45 512	600x230	1
GW 45 513	850x230	1

CHARACTERISTICS: additional plinth to facilitate cable entry and/or raise the distribution board. Lateral pre-breaking for the cable passages.

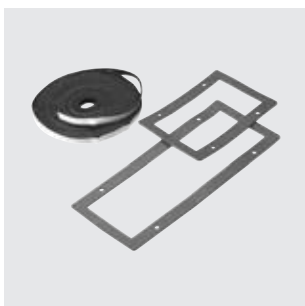


GW 45 509

KIT FOR SIDE-BY-SIDE COUPLING OF STRUCTURES

Code	Suitable for	Pack Carton
GW 45 504	Structures H=1000 mm	1
GW 45 505	Structures H=1200 mm	1
GW 45 507	Structures H=1600 mm	1
GW 45 508	Structures H=1800 mm	1
GW 45 509	Structures H=2000 mm	1

ACCESSORIES SUPPLIED: frontal upright, plates and gasket.



GW 45 531

GASKET KIT IP43

Code	Suitable for	Pack Carton
GW 45 531	Door and cable gland plates	1

ACCESSORIES SUPPLIED: roll gasket for door and shaped gasket for cable gland plates.



GW 45 518

CROSSPIECES FOR CABLE FIXING

Code	Suitable for	Pack Carton
GW 45 516	internal cable compartment	1
GW 45 517	External cable compartment	1
GW 45 518	Distribution boards L=600 mm	1
GW 45 519	Distribution boards L=850 mm	1

APPLICATION: permits the fixing of the input/output cables on the distribution board structure.



GW 45 534

PERFORATED AND THREADED EARTH BUSBAR

Code	For distribution boards	Section (mm ²)	N./diam. of threaded holes	Step drilling (mm)	Pack Carton
GW 45 534	L=600	20x5	24xM6	18 mm	1
GW 45 535	L=850	20x5	36xM6	18 mm	1

NOTE: direct fixing on the functional frames.



GW 45 537

EARTH TERMINAL BLOCKS

Code	For distribution boards	Section (mm ²)	N. terminal and section (mm ²)	Step drilling (mm)	Pack Carton
GW 45 537	L=400	10x7	1x35+11x16+13x10	6.5 mm	1
GW 45 538	L=600	10x7	2x(1x35+11x16+13x10)	6.5 mm	1



GW 46 447

ADHESIVE DOCUMENT POCKET

Code	Dimensions LxH (mm)	Pack Carton
GW 46 447	230x310	1/10

47 CVX 630 K



GW 47 192

SECURITY LOCK FOR WALL-MOUNTING DISTRIBUTION BOARDS

Code	Characteristics	Pack Carton
GW 47 192	Yale type	1/10

NOTE: the lock is supplied with identical keys.



GW 47 494

ROTARY SAFETY HANDLE FOR FLOOR-MOUNTING DISTRIBUTION BOARDS

Code	Characteristics	Pack Carton
GW 47 494	Yale type	1

NOTE: the lock is supplied with identical keys. The rotary handle can also be used for the door of the external cable compartment.



GW 45 536

SET OF 4 METAL BRACKETS FOR WALL-MOUNTING FIXING

Code	Suitable for	Pack Carton
GW 45 536	Wall-mounting distribuion boards	1

47 CVX 630 M

Monobloc distribution boards up to 630 A - IP 55

The range of CVX 630 M monobloc boards up to 630 A, suitable for the protection and control of electrical systems where the occasional presence of dust, water and/or other hazardous substances requires a high degree of protection equal to IP55. Available in both the surface-mounting version up to 1200 mm and floor-mounting version up to 2000 mm, the CVX 630 M boards use the same installation kit and the same accessories as the CVX 630 K range for better management of the order codes.



Technical characteristics page 327

STRUCTURAL ELEMENTS

WALL-MOUNTING DISTRIBUTION BOARDS



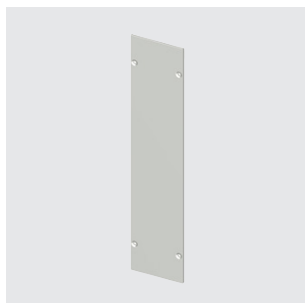
GW 45 054

MONOBLOC SIDE-BY-SIDE WALL-MOUNTING STRUCTURES IN PAINTED SHEET STEEL COLOUR GREY RAL 7035 - COMPLETE WITH FUNCTIONAL FRAMES, CABLE GLAND PLATES

Code	Functional dim. LxHxD (mm)	Outer dim. LxHxD (mm)	Pack Carton
GW 45 054	600x1000x280	701x1040x276	1
GW 45 055	600x1200x280	701x1240x276	1
GW 45 064	850x1000x280	901x1040x276	1
GW 45 065	850x1200x280	901x1240x276	1

ACCESSORIES SUPPLIED: 2 cable gland plates with fixing screws for distribution boards L=600 mm, 6 cable gland plates with fixing screws for distribution boards L=850 mm, 4 brackets for wall-mounting.

SIDE PANELS FOR WALL-MOUNTING DISTRIBUTION BOARDS



GW 45 074

PAIR OF SIDE PANELS FOR WALL-MOUNTING DISTRIBUTION BOARDS IN PAINTED SHEET STEEL

Code	For structures HxD (mm)	Pack Carton
GW 45 074	1000x280	1
GW 45 075	1200x280	1

ACCESSORIES SUPPLIED: screws for fixing to the structure.



GW 45 394

PAIR OF AERATED SIDE PANELS FOR WALL-MOUNTING DISTRIBUTION BOARDS IN PAINTED SHEET STEEL

Code	For structures HxD (mm)	Pack Carton
GW 45 394	1000x280	1
GW 45 395	1200x280	1

ACCESSORIES SUPPLIED: screws for fixing to the structure.

APPLICATIONS: louver for natural or forced aeration, with IP30 degree of protection.

FLOOR-MOUNTING DISTRIBUTION BOARDS



GW 45 059

MONOBLOC SIDE-BY-SIDE FLOOR-MOUNTING STRUCTURES IN PAINTED SHEET STEEL COLOUR GREY RAL 7035 - COMPLETE WITH FUNCTIONAL FRAMES, CABLE GLAND PLATES AND INSPECTABLE PLINTH H = 100 MM - COLOUR BLUE RAL 5003

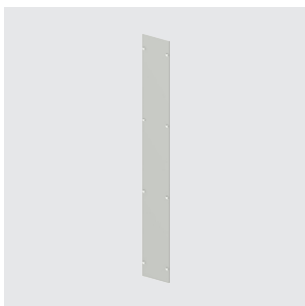
Code	Functional dim. LxHxD (mm)	Outer dim. LxHxD (mm)	Pack Carton
GW 45 057	600x1600x280	701x1740x276	1
GW 45 058	600x1800x280	701x1940x276	1
GW 45 059	600x2000x280	701x2140x276	1
GW 45 067	850x1600x280	901x1740x276	1
GW 45 068	850x1800x280	901x1940x276	1
GW 45 069	850x2000x280	901x2140x276	1

ACCESSORIES SUPPLIED: 1 cable gland plate complete with fixing screws for the distribution boards L=600 mm,

3 cable gland plates complete with fixing screws for the distribution boards L=850 mm.

NOTE: the external dimensions of the board also include the dimensions of the plinth (H=100 mm).

SIDE PANELS FOR FLOOR-MOUNTING DISTRIBUTION BOARDS



GW 45 079

PAIR OF SIDE PANELS FOR FLOOR-MOUNTING DISTRIBUTION BOARDS IN PAINTED SHEET STEEL

Code	For structures HxD (mm)	Pack Carton
GW 45 077	1600x280	1
GW 45 078	1800x280	1
GW 45 079	2000x280	1

ACCESSORIES SUPPLIED: screws for fixing to the structure.



GW 45 399

PAIR OF AERATED SIDE PANELS FOR FLOOR-MOUNTING DISTRIBUTION BOARDS IN PAINTED SHEET STEEL

Code	For structures HxD (mm)	Pack Carton
GW 45 397	1600x280	1
GW 45 398	1800x280	1
GW 45 399	2000x280	1

ACCESSORIES SUPPLIED: screws for fixing to the structure.

APPLICATIONS: louver for natural or forced aeration, with IP30 degree of protection.

DOORS



GW 45 159

TRANSPARENT DOORS IN CURVED, SMOKED GLASS, TEMPERED FOR SAFETY AND FITTED WITH HANDLE AND ROD-MECHANISM LOCK

Code	For structures LxH (mm)	Pack Carton
GW 45 154	600x1000	1
GW 45 155	600x1200	1
GW 45 157	600x1600	1
GW 45 158	600x1800	1
GW 45 159	600x2000	1
GW 45 164	850x1000	1
GW 45 165	850x1200	1
GW 45 167	850x1600	1
GW 45 168	850x1800	1
GW 45 169	850x2000	1

ACCESSORIES SUPPLIED: 4 mounting pins; key in zama.

CHARACTERISTICS: possibility to assemble the door with reversible opening (right/left); painted sheet metal, Grey RAL 7035.



GW 45 179

BLANK DOORS IN PAINTED SHEET METAL, FITTED WITH HANDLE AND ROD-MECHANISM LOCK

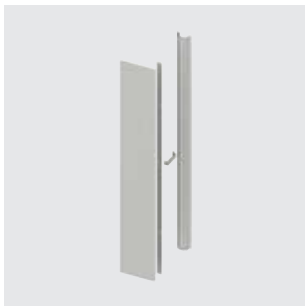
Code	For structures LxH (mm)	Pack Carton
GW 45 174	600x1000	1
GW 45 175	600x1200	1
GW 45 177	600x1600	1
GW 45 178	600x1800	1
GW 45 179	600x2000	1
GW 45 184	850x1000	1
GW 45 185	850x1200	1
GW 45 187	850x1600	1
GW 45 188	850x1800	1
GW 45 189	850x2000	1

ACCESSORIES SUPPLIED: 4 mounting pins; key in zama.

CHARACTERISTICS: possibility to assemble the door with reversible opening (right/left); painted sheet metal, Grey RAL 7035.

47 CVX 630 M

INTERNAL CABLE COMPARTMENT



GW 45 089

KIT FOR INTERNAL CABLE COMPARTMENT, COMPLETE WITH HINGED COVER

Code	For structures LxH (mm)	Pack Carton
GW 45 084	850x1000	1
GW 45 085	850x1200	1
GW 45 087	850x1600	1
GW 45 088	850x1800	1
GW 45 089	850x2000	1

ACCESSORIES SUPPLIED: panel in painted sheet metal colour Grey RAL 7035.

CHARACTERISTICS: possibility to assemble the internal cable compartment at the right or at the left side for board L=850 mm.

EXTERNAL CABLE COMPARTMENT



GW 45 099

EXTERNAL CABLE COMPARTMENT KIT FOR MONOBLOC DISTRIBUTION BOARDS AND INSPECTABLE PLINTH H=100 MM - COLOUR BLUE RAL 5003

Code	Functional dim. LxHxD (mm)	Outer dim. LxHxD (mm)	Pack Carton
GW 45 097	400x1600x280	451x1740x276	1
GW 45 098	400x1800x280	451x1940x276	1
GW 45 099	400x2000x280	451x2140x276	1

ACCESSORIES SUPPLIED: 1 cable gland plate complete with fixing screws.

NOTES: the external compartment can be put together with the structure by using the special side by side kit.

The external dimensions of the external cable compartment also include the dimensions of the plinth (H=100 mm).



GW 45 354

INTERNAL/EXTERNAL BLANK DOORS IN PAINTED SHEET METAL

Code	For structures LxH (mm)	Pack Carton
Description: External door		
GW 45 197	400x1600	1
GW 45 198	400x1800	1
GW 45 199	400x2000	1
Description: Internal door		
GW 45 352	400x1600	1
GW 45 353	400x1800	1
GW 45 354	400x2000	1

ACCESSORIES SUPPLIED: external door equipped with handle with rod-mechanism lock and key in zama.

NOTES: the internal doors are used on an external cable compartment put together with an IP30 structure without door.

The internal doors can be used also as inner door in the external door version.

CHARACTERISTICS: possibility to assemble the door with reversible opening (right/left); sheet metal painted with epoxy-polyester powders, Grey RAL 7035; for the external door possibility of replacing the rotary handle closure with a security lock.

FRONT CONFIGURATION

INSTALLATION KIT FOR DEVICES ON DIN RAIL



GW 45 202

INSTALLATION KIT FOR MODULAR DEVICES (90 RANGE) AND MCCB'S UP TO 250 A (MTX/M 160C, MTX/E 160, MTX/M 250 RANGE) COMPLETE WITH PANELS WITH WINDOWS AND DOUBLE DIN RAIL EN 50022 (DIN 35) IN ALUMINIUM

Code	Dimensions LxH (mm)	Section dim. HxD (mm)	Pack Carton
No. modules: 10			
GW 45 291	400x150	2x(35x7.5)	1
GW 45 292	400x200	2x(35x7.5)	1
GW 45 293	400x300	2x(35x7.5)	1
No. modules: 24			
GW 45 201	600x150	2x(35x7.5)	1
GW 45 202	600x200	2x(35x7.5)	1
GW 45 203	600x300	2x(35x7.5)	1
GW 45 204	600x300	2x(35x7.5)	1
No. modules: 36			
GW 45 206	850x150	2x(35x7.5)	1
GW 45 207	850x200	2x(35x7.5)	1
GW 45 208	850x300	2x(35x7.5)	1
GW 45 209	850x300	2x(35x7.5)	1

ACCESSORIES SUPPLIED: double EN 50022 (DIN 35) rail in aluminium; 2 screws for mounting the DIN rail; 2 support brackets in galvanised sheet metal; fixing accessories.

CHARACTERISTICS: front panel in painted sheet metal colour Grey RAL 7035; panel earthing by contact; captive panel fixing screws; prearrangement of the panels for rotation hinges.

NOTES: for the assembly of the MTX MCCB's with or without add-on RCD, order the special kit for fixing to the DIN rail.

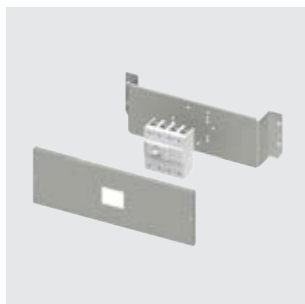
The coupling of modular and MCCB's requires the GW49209 depth adapter.

GW45291 - GW45201/6 for modular devices of the 90 range only.

GW45292/3 - GW45202/3/7/8 suitable for modular devices of the 90 and MTX/M 160c, MTX/M 160c ranges with lowered "L" add-on residual current device, MTX/E 160, MTX/M 250.

GW45204/9 specific version for MTX/M 160c, MTX/E 160, MTX/M 250 with "L" add-on residual current device.

INSTALLATION KIT FOR MTX MCCB'S FIXED ON PLATE



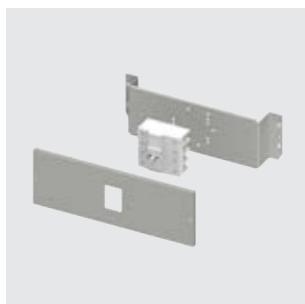
GW 45 236

INSTALLATION KIT FOR MCCB'S UP TO 630 A, IN FIXED ASSEMBLY COMPLETE WITH PERFORATED FRONT PANEL AND FIXING PLATE

Code	Dimensions LxH (mm)	Suitable for	No. of poles	Installation	Pack Carton
No. modules: 10					
GW 45 243	400x200	MTX/M 160c	3P - 4P	Vertical	1
GW 45 244	400x200	MTX/E 160	3P - 4P	Vertical	1
GW 45 245	400x300	MTX/M 250	3P - 4P	Vertical	1
GW 45 246	400x400	MTX/E/M 320	3P - 4P	Vertical	1
GW 45 247	400x400	MTXM 400-MTX/E/M 630	3P - 4P	Vertical	1
No. modules: 24					
GW 45 236	600x300	MTX/M 250	3P - 4P	Vertical	1
GW 45 237	600x400	MTX/E/M 320	3P - 4P	Vertical	1
GW 45 238	600x400	MTXM 400-MTX/E/M 630	3P - 4P	Vertical	1

ACCESSORIES SUPPLIED: galvanised sheet metal support plate; fixing accessories.

CHARACTERISTICS: front panel in painted sheet metal colour Grey RAL 7035; earthing by contact; captive panel fixing screws; prearrangement of the panels for rotation hinges.



GW 45 273

INSTALLATION KIT FOR MCCB'S UP TO 630 A, IN FIXED ASSEMBLY COMPLETE WITH PERFORATED FRONT PANEL AND FIXING PLATE

Code	Dimensions LxH (mm)	Suitable for	No. of poles	Installation	Pack Carton
No. modules: 24					
GW 45 271	600x200	MTX/M 160c	3P - 4P	Horizontal	1
GW 45 272	600x200	MTX/E 160	3P - 4P	Horizontal	1
GW 45 273	600x200	MTX/M 250	3P - 4P	Horizontal	1
GW 45 274	600x200	MTX/E/M 320	3P - 4P	Horizontal	1
GW 45 275	600x300	MTXM 400-MTX/E/M 630	3P - 4P	Horizontal	1
No. modules: 36					
GW 45 276	850x200	MTX/M 250	3P - 4P	Horizontal	1
GW 45 277	850x200	MTX/E/M 320	3P - 4P	Horizontal	1
GW 45 278	850x300	MTXM 400-MTX/E/M 630	3P - 4P	Horizontal	1

ACCESSORIES SUPPLIED: galvanised sheet metal support plate; fixing accessories.

CHARACTERISTICS: front panel in painted sheet metal colour Grey RAL 7035; earthing by contact; captive panel fixing screws; prearrangement of the panels for rotation hinges.

47 CVX 630 M



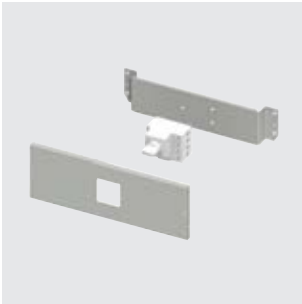
GW 45 283

INSTALLATION KIT FOR MCCB'S UP TO 500 A WITH ADD-ON RESIDUAL CURRENT DEVICE IN FIXED ASSEMBLY COMPLETE WITH PERFORATED FRONT PANEL AND FIXING PLATE

Code	Dimensions LxH (mm)	Suitable for	No. of poles	Installation	Pack Carton
No. modules: 10					
GW 45 248	400x300	MTX/M 160c	4P	Vertical	1
GW 45 249	400x400	MTX/M 250	4P	Vertical	1
No. modules: 24					
GW 45 281	600x200	MTX/M 160c	4P	Horizontal	1
GW 45 282	600x200	MTX/E 160	4P	Horizontal	1
GW 45 283	600x200	MTX/M 250	4P	Horizontal	1
GW 45 284	600x200	MTX/E/M 320	4P	Horizontal	1
GW 45 285	600x300	MTXM 400-MTX/E/M 630	4P	Horizontal	1
No. modules: 36					
GW 45 286	850x200	MTX/M 160c	4P	Horizontal	1
GW 45 287	850x200	MTX/E 160	4P	Horizontal	1
GW 45 288	850x200	MTX/M 250	4P	Horizontal	1
GW 45 289	850x200	MTX/E/M 320	4P	Horizontal	1
GW 45 290	850x300	MTXM 400-MTX/E/M 630	4P	Horizontal	1

ACCESSORIES SUPPLIED: galvanised sheet metal support plate; fixing accessories.

CHARACTERISTICS: front panel in painted sheet metal colour Grey RAL 7035; earthing by contact; captive panel fixing screws; prearrangement of the panels for rotation hinges. GW45281/6 not suitable for lowered "L" add-on residual current device.



GW 45 262

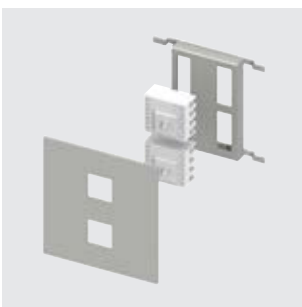
INSTALLATION KIT FOR MCCB'S UP TO 630 A WITH DIRECT ROTARY HANDLE OR MOTOR OPERATING, COMPLETE WITH PERFORATED FRONT PANEL AND FIXING PLATE

Code	Dimensions LxH (mm)	Suitable for	No. of poles	Installation	Complete with	Pack Carton
No. modules: 24						
GW 45 261	600x200	MTX/M 160c	3P - 4P	Horizontal	Direct rotary handle	1
GW 45 262	600x200	MTX/E160	3P - 4P	Horizontal	Direct rotary handle	1
GW 45 263	600x200	MTX/M 250	3P - 4P	Horizontal	Direct rotary handle	1
GW 45 264	600x200	MTX/E/ 320	3P - 4P	Horizontal	Direct rotary handle	1
GW 45 265	600x300	MTXM 400-MTX/E/M 630	3P - 4P	Horizontal	Direct rotary handle	1
GW 45 266	600x200	MTX/M 160c	3P - 4P	Horizontal	Motor operating	1
GW 45 267	600x200	MTX/E 160	3P - 4P	Horizontal	Motor operating	1
GW 45 268	600x200	MTX/M 250	3P - 4P	Horizontal	Motor operating	1

ACCESSORIES SUPPLIED: galvanised sheet metal support plate; fixing accessories.

CHARACTERISTICS: front panel in painted sheet metal colour Grey RAL 7035; earthing by contact; captive panel fixing screws; prearrangement of the panels for rotation hinges.

NOTES: with GW45264/5 it is not possible to assemble the bars on the base to pass behind the kit plate. The installation kits for MCCB's with a direct rotating handle are not compatible with the blank board door.



GW 45 604

INSTALLATION KIT FOR INTERLOCKED MCCB'S UP TO 630 A, COMPLETE WITH PERFORATED FRONT PANEL AND SUPPORT PLATE

Code	Dimensions LxH (mm)	Suitable for	No. of poles	Installation	Control	Pack Carton
No. modules: 24						
GW 45 601	600x300	MTX/M 160c-MTX/E 160-MTX/M 250	3P - 4P	Vertical	Lever	1
GW 45 602	600x500	MTX/M 250	3P - 4P	Horizontal	Lever	1
GW 45 603	600x600	MTX/E/M 320	3P - 4P	Horizontal	Lever	1
GW 45 604	600x600	MTXM 400-MTX/E/M 630	3P - 4P	Horizontal	Lever	1

ACCESSORIES SUPPLIED: galvanised sheet metal support plate; fixing accessories.

CHARACTERISTICS: front panel in painted sheet metal colour Grey RAL 7035; earthing by contact; captive panel fixing screws; prearrangement of the panels for rotation hinges.

NOTES: with GW45602/3/4 it is not possible to assemble the bars on the base to pass behind the kit plate.

GW45601 - possibility of front interlock between any two circuit breakers of the following types: MTX/M 160c - MTX/E 160 - MTX/M 250.

Interlock system to be purchased separately.

INSTALLATION KIT FOR MSS SWITCH DISCONNECTORS FIXED ON PLATE



GW 45 252

INSTALLATION KIT FOR SWITCH-DISCONNECTORS IN FIXED ASSEMBLY COMPLETE WITH PERFORATED FRONT PANEL AND FIXING PLATE

Code	Dimensions LxH (mm)	Suitable for	No. of poles	Installation	Pack Carton
No. modules: 10					
GW 45 298	400x300	MSS 250	3P - 4P	Vertical	1
GW 45 299	400x500	MSS 630	3P - 4P	Vertical	1
No. modules: 24					
GW 45 251	600x300	MSS 250	3P - 4P	Horizontal/Vertical	1
GW 45 252	600x500	MSS 630	3P - 4P	Vertical	1
GW 45 256	600x400	MSS 630	3P - 4P	Horizontal	1
No. modules: 36					
GW 45 253	850x300	MSS 250	3P - 4P	Horizontal/Vertical	1
GW 45 254	850x500	MSS 630	3P - 4P	Vertical	1
GW 45 257	850x400	MSS 630	3P - 4P	Horizontal	1

ACCESSORIES SUPPLIED: galvanised sheet metal support plate; fixing accessories.

CHARACTERISTICS: front panel in painted sheet metal colour Grey RAL 7035; earthing by contact; captive panel fixing screws; prearrangement of the panels for rotation hinges.

NOTE: the installation kits for switch disconnectors are not compatible with the blank door of distribution board.

FRONT PANELS



GW 45 304

BLANK FRONT PANELS

Code	Dimensions LxH (mm)	Pack Carton
No. modules: 10		
GW 45 341	400x50	1
GW 45 342	400x100	1
GW 45 343	400x150	1
GW 45 344	400x200	1
GW 45 345	400x300	1
GW 45 346	400x400	1
GW 45 347	400x600	1
GW 45 348	400x800	1
No. modules: 24		
GW 45 301	600x50	1
GW 45 302	600x100	1
GW 45 303	600x150	1
GW 45 304	600x200	1
GW 45 305	600x300	1
GW 45 306	600x400	1
GW 45 307	600x600	1
No. modules: 36		
GW 45 321	850x50	1
GW 45 322	850x100	1
GW 45 323	850x150	1
GW 45 324	850x200	1
GW 45 325	850x300	1
GW 45 326	850x400	1
GW 45 327	850x600	1

ACCESSORIES SUPPLIED: fixing accessories.

CHARACTERISTICS: front panel in painted sheet metal colour Grey RAL 7035; earthing by contact; captive panel fixing screws; pre-arrangement of panels for rotation hinges (except for GW45301/2 and GW45321/2).



GW 45 374

METAL FRONT PANELS FOR MEASURING INSTRUMENTS AND THREE-WAY SWITCHES

Code	Dimensions LxH (mm)	3-way switch no. x hole Ø	Instruments N. x dimensions	Pack Carton
No. modules: 24				
GW 45 374	600x200	1 Ø 9.5 mm	4 96x96 mm	1
No. modules: 36				
GW 45 379	850x200	1 Ø 9.5 mm	4 96x96 mm	1

ACCESSORIES SUPPLIED: fixing accessories.

CHARACTERISTICS: front panel in painted sheet metal colour Grey RAL 7035; earthing by contact; captive panel fixing screws; prearrangement of the panels for rotation hinges.

APPLICATIONS: installation of ammeters, voltmeters, voltmeter/ammeter three-way switches.

47 CVX 630 M



GW 45 362

AERATION FRONT PANELS

Code	Dimensions LxH (mm)	Pack Carton
No. modules: 24		
GW 45 362	600x200	1
No. modules: 36		
GW 45 367	850x200	1

ACCESSORIES SUPPLIED: fixing accessories.

CHARACTERISTICS: front panel in painted sheet metal colour Grey RAL 7035; earthing by contact; captive panel fixing screws; prearrangement of the panels for rotation hinges.

APPLICATIONS: natural ventilation in wall and floor-mounting distribution boards.

INTERNAL CONFIGURATION

DIN RAILS



GW 45 401

DIN RAILS FOR MODULAR DEVICES (90 RANGE) AND MCCBS UP TO 250 A (MTX/M 160C, MTX/E 160, MTX/M 250 RANGE) COMPLETE WITH BRACKETS FOR ASSEMBLY

Code	Section dim. HxD (mm)	Profile	Material	Pack Carton
No. modules: 24				
GW 45 401	2x(35x7.5)	Double EN 50022 (DIN 35)	Aluminium	1
No. modules: 36				
GW 45 402	2x(35x7.5)	Double EN 50022 (DIN 35)	Aluminium	1

ACCESSORIES SUPPLIED: double EN 50022 (DIN 35) rail in aluminium; 2 screws for mounting the DIN rail; 2 support brackets in galvanised sheet metal; fixing accessories.

BACK-MOUNTING PLATES



GW 45 422

BACK-MOUNTING PLATES FOR NON-MODULAR DEVICES, COMPLETE WITH FIXING SUPPORTS

Code	Dimensions LxH (mm)	Pack Carton
No. modules: 10		
GW 45 406	400x300	1
No. modules: 24		
GW 45 421	600x200	1
GW 45 422	600x400	1
GW 45 423	600x600	1
No. modules: 36		
GW 45 431	850x200	1
GW 45 432	850x400	1
GW 45 433	850x600	1

ACCESSORIES SUPPLIED: fixing accessories.

CHARACTERISTICS: galvanised sheet metal plate (20/10 mm thick).

DIVIDERS

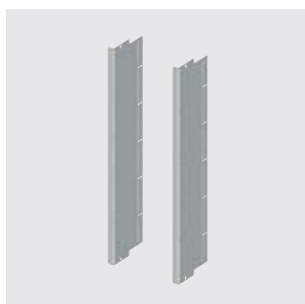


GW 45 453

HORIZONTAL DIVIDING RAILS IN THE STRUCTURE

Code	Width (mm)	Pack Carton
No. modules: 24		
GW 45 453	600	1
No. modules: 36		
GW 45 454	850	1

CHARACTERISTICS: allow the internal separation of the distribution board.



GW 45 479

VERTICAL DIVIDING RAILS IN THE STRUCTURE AND IN THE CABLE COMPARTMENT

Code	Height H (mm)	Pack Carton
Suitable for: internal cable compartment		
GW 45 474	1000	1
GW 45 475	1200	1
GW 45 477	1600	1
GW 45 478	1800	1
GW 45 479	2000	1
Suitable for: structures / ext. cable comp.		
GW 45 457	1600	1
GW 45 458	1800	1
GW 45 459	2000	1

CHARACTERISTICS: allow the internal separation (form 2B) in the case of busbar in the cable compartment.

COMPLEMENTARY ITEMS

ACCESSORIES



GW 49 209

DEPTH ADAPTER

Code	Length (mm)	Pack Carton
GW 49 209	600	1

APPLICATIONS: compensation of the different installation depths on DIN rail EN 50022 of the modular devices (90 range) moulded case circuit breakers (MTX/M 160c - MTX/E 160 - MTX/M 250 range).

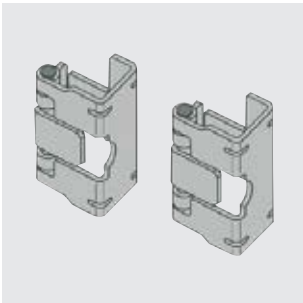


GW 47 291

BLANKING MODULE PROFILE IN PLASTIC MATERIAL - COLOUR GREY RAL 7035

Code	No. of modules EN 50022	Pack Carton
GW 47 291	24	10

CHARACTERISTICS: clip fixing on DIN perforated front panels.



GW 45 532

PAIR OF METAL HINGES FOR FRONT PANELS

Code	Fixing type	Opening angle	Suitable for	Pack Carton
GW 45 532	With screw	90°	For panels H higher than 100 mm	1

ACCESSORIES SUPPLIED: panel closure cap.

CHARACTERISTICS: additional earthing of the panel by contact.

APPLICATIONS: option of hinging front panels.

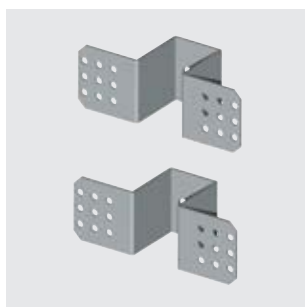


GW 47 691

DIN PROFILES

Code	Section dim. HxD (mm)	Profile	Material	Pack Carton
Length: 24 modules				
GW 45 411	35x15	EN 50022 (DIN 35)	Galvanized metal	1
GW 45 412	32x15	EN 50035 (G 32)	Galvanized metal	1
Length: 36 modules				
GW 45 416	35x15	EN 50022 (DIN 35)	Galvanized metal	1
GW 45 417	32x15	EN 50035 (G 32)	Galvanized metal	1
Length: 2000 mm				
GW 47 691	35x15	EN 50022 (DIN 35)	Galvanized metal	1/5
GW 47 692	32x15	EN 50035 (G 32)	Galvanized metal	1/5
GW 47 693	30x15	EN 50024 (C30)	Galvanized metal	1/5

NOTE: the DIN profiles with 24 and 36 modules can be fixed directly on the frame.



GW 45 521

PAIR OF SUPPORTS FOR WIRING TRUNKING

Code	Installation	Suitable for	Pack Carton
GW 45 521	Horizontal/Vertical	Distribution boards L=600/850 mm	1

APPLICATIONS: both horizontal and vertical assembly of wiring trunking up to 80x80 mm.



GW 45 526

PAIR OF SUPPORTS FOR HORIZONTAL TERMINAL BLOCK

Code	Suitable for	Pack Carton
GW 45 526	Distribution boards L=600/850 mm	1



GW 45 527

PAIR OF SUPPORTS FOR VERTICAL TERMINAL BLOCK

Code	Suitable for	Pack Carton
GW 45 527	internal cable compartment	1
GW 45 528	External cable compartment	1



GW 46 448

VENTILATION KIT

Code	IP degree	Rated voltage	Fixing hole (mm)	Screws centre distance (mm)	Pack Carton
GW 46 448	IP44	230 V - 50 / 60 Hz	125x117	123x115	1/2

CHARACTERISTICS: the fan takes in air from the outside and introduces it into the distribution board, creating a slight overpressure that prevents foreign particles from entering. Max fan capacity 60 m³/h. Absorbed power equal to 20 W.

APPLICATIONS: forced ventilation in critical thermal conditions.

ACCESSORIES SUPPLIED: drilling template.

47 CVX 630 M



GW 46 471

AERATION KIT

Code	IP degree	Fixing hole (mm)	Screws centre distance (mm)	Pack Carton
GW 46 471	IP44	125x117	123x115	1/10

ACCESSORIES SUPPLIED: drilling template.



GW 45 582

ADDITIONAL PLINTH H=100 COLOUR BLUE RAL 5003 PAINTED WITH REMOVABLE FRONT AND REAR PANELS

Code	Dimensions LxD (mm)	Pack Carton
GW 45 581	400x280	1
GW 45 582	600x280	1
GW 45 583	850x280	1

CHARACTERISTICS: additional plinth to facilitate cable entry and/or raise the distribution board. Lateral pre-breaking for the cable passages.



GW 45 533

KIT FOR SIDE-BY-SIDE USE OF STRUCTURES AND GASKET IP55

Code	Description	For distribution boards	Quantity	Pack Carton
GW 45 533	Plates and screws	Wall mounting	4 pieces	1/10
GW 47 472	Plates and screws	Floor-mounting	8 pieces	1/10
GW 47 473	Gasket roll		20 m	1/10

NOTE: to create side by side installations for IP55 structures, gasket GW47473 must be added to the kit that includes the plates and screws.



GW 45 518

CROSSPIECES FOR CABLE FIXING

Code	Suitable for	Pack Carton
GW 45 516	internal cable compartment	1
GW 45 517	External cable compartment	1
GW 45 518	Distribution boards L=600 mm	1
GW 45 519	Distribution boards L=850 mm	1

APPLICATION: permits the fixing of the input/output cables on the distribution board structure.



GW 45 534

PERFORATED AND THREADED EARTH BUSBAR

Code	For distribution boards	Section (mm ²)	N./diam. of threaded holes	Step drilling (mm)	Pack Carton
GW 45 534	L=600	20x5	24xM6	18 mm	1
GW 45 535	L=850	20x5	36xM6	18 mm	1

NOTE: direct fixing on the functional frames.



GW 45 537

EARTH TERMINAL BLOCKS

Code	For distribution boards	Section (mm ²)	N. terminal and section (mm ²)	Step drilling (mm)	Pack Carton
GW 45 537	L=400	10x7	1x35+11x16+13x10	6.5 mm	1
GW 45 538	L=600	10x7	2x(1x35+11x16+13x10)	6.5 mm	1



GW 46 447

ADHESIVE DOCUMENT POCKET

Code	Dimensions LxH (mm)	Pack Carton
GW 46 447	230x310	1/10



GW 47 192

SECURITY LOCK FOR WALL-MOUNTING DISTRIBUTION BOARDS

Code	Characteristics	Pack Carton
GW 47 192	Yale type	1/10

NOTE: the lock is supplied with identical keys.

47 CVX 630 M



GW 47 494

ROTARY SAFETY HANDLE FOR FLOOR-MOUNTING DISTRIBUTION BOARDS

Code	Characteristics	Pack Carton
GW 47 494	Yale type	1

NOTE: the lock is supplied with identical keys. The rotary handle can also be used for the door of the external cable compartment.



GW 47 491

SET OF 2 METAL BRACKETS FOR WALL-MOUNTING FIXING

Code	Suitable for	Pack Carton
GW 47 491	Floor-mounting distribution boards	1/10



GW 38 561

PAIR OF LIFTING EYEBOLTS

Code	Characteristics	Pack Carton
GW 38 561	M10	1

47 CVX 1600

Floor - mounting cabinets up to 3200 A

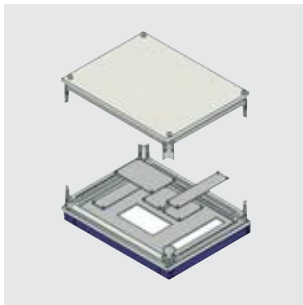
The CVX 1600 range of modular boards, already prepared for the installation of modular devices belonging to the 90 range and the MTX Moulded-case circuit breaker range up to 1600 A. The range is a complete and integrated system of electric boards that, starting from a pre-configured structure assembly kit, allows to realize any type of both secondary and primary distribution cabinet.



Technical characteristics page 330

STRUCTURAL ELEMENTS

BASE STRUCTURE



GW 49 001

BASE COMPLETE WITH INSPECTABLE BASE MOUNT AND PRE-ASSEMBLED HEAD

Code	Functional dim. LxD (mm)	External dim. LxD (mm)	Pack Carton
Modules: 12			
GW 49 001	400x400	510x323	1
GW 49 002	400x600	510x598	1
GW 49 003	400x800	510x798	1
Modules: 24			
GW 49 004	600x400	720x323	1
GW 49 005	600x600	720x598	1
GW 49 006	600x800	720x798	1
Modules: 36			
GW 49 007	850x400	920x323	1
GW 49 008	850x600	920x598	1
GW 49 009	850x800	920x798	1

ACCESSORIES SUPPLIED: cable gland plates with IP65 sealing gasket and fixing accessories.

CHARACTERISTICS: head cover colour Grey RAL 7035; base with lower cable entry; skirting H= 100 mm painted in colour Blue RAL 5003.



GW 49 011

NR. 4 VERTICAL UPRIGHTS WITH PRE-ASSEMBLED HINGES IN GALVANIZED MATERIAL

Code	Functional Height (mm)	External board height (mm)	Pack Carton
GW 49 011	1800	2031	1
GW 49 012	2000	2231	1

ACCESSORIES SUPPLIED: base and head element fixing screws.

NOTE: the external height of the board also includes the height of the plinth (H=100 mm).

FUNCTIONAL FRAMES



GW 49 021

PAIR OF FUNCTIONAL FRAMES FOR NON-SEPARATED DISTRIBUTION BOARDS (OPEN FRAME)

Code	Functional Height (mm)	External board height (mm)	Pack Carton
GW 49 021	1800	2031	1
GW 49 022	2000	2231	1

CHARACTERISTICS: holes every 25 mm for mounting panelling and device installation kits.

NOTE: the external height of the board also includes the height of the plinth (H=100 mm).

The operating frames are not needed in the case of boards with an internal cable compartment, because they are already included in the internal cable compartment kit.



GW 49 023

PAIR OF FUNCTIONAL FRAMES FOR SEPARATED DISTRIBUTION BOARDS (CLOSED FRAME)

Code	Functional Height (mm)	External board height (mm)	Pack Carton
GW 49 023	1800	2031	1
GW 49 024	2000	2231	1

CHARACTERISTICS: holes every 25 mm for mounting panelling and device installation kits.

NOTE: the external height of the board also includes the height of the plinth (H=100 mm).

The operating frames are not needed in the case of boards with an internal cable compartment, because they are already included in the internal cable compartment kit.

SIDE AND BACK PANELS



GW 49 041

PAIR OF SOLID SIDE PANELS IN PAINTED SHEET STEEL

Code	For structures HxD (mm)	Pack Carton
GW 49 041	1800x400	1
GW 49 042	1800x600	1
GW 49 043	1800x800	1
GW 49 044	2000x400	1
GW 49 045	2000x600	1
GW 49 046	2000x800	1

ACCESSORIES SUPPLIED: screws for fixing to the structure.

CHARACTERISTICS: painted sheet metal panels colour Grey RAL 7035; sealing gaskets IP65 applied to the panel; prearranged for the earthing.

NOTE: suitable for making distribution boards with IP31/IP41 (without door) and IP65 (with door) protection ratings.



GW 49 031

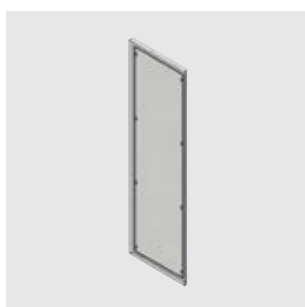
PAIR OF AERATION SIDE PANELS IN PAINTED SHEET STEEL

Code	For structures HxD (mm)	Pack Carton
GW 49 031	1800x600	1
GW 49 032	1800x800	1
GW 49 033	2000x600	1
GW 49 034	2000x800	1

ACCESSORIES SUPPLIED: screws for fixing to the structure.

CHARACTERISTICS: painted sheet metal panels colour Grey RAL 7035; sealing gaskets IP65 applied to the panel; prearranged for the earthing.

NOTE: screening for natural or forced aeration with IP41 protection rating.



GW 49 091

SOLID REAR PANELS IN PAINTED SHEET STEEL

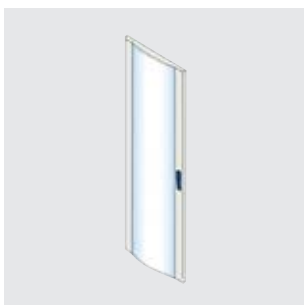
Code	For structures LxH (mm)	Pack Carton
GW 49 091	400x1800	1
GW 49 092	600x1800	1
GW 49 093	850x1800	1
GW 49 094	400x2000	1
GW 49 095	600x2000	1
GW 49 096	850x2000	1

ACCESSORIES SUPPLIED: screws for fixing to the structure.

CHARACTERISTICS: painted sheet metal panels colour Grey RAL 7035; sealing gaskets IP65 applied to the panel; prearranged for the earthing.

NOTE: suitable for making distribution boards with IP31/IP41 (without door) and IP65 (with door) protection ratings.

FRONT DOORS AND PROFILES



GW 49 061

SMOKED CURVED TEMPERED SAFETY GLASS FRONT AND BACK DOORS IP65 EQUIPPED WITH HANDLE AND ROD-MECHANISM LOCK

Code	For structures LxH (mm)	Pack Carton
GW 49 061	400x1800	1
GW 49 062	400x2000	1
GW 49 063	600x1800	1
GW 49 064	600x2000	1
GW 49 065	850x1800	1
GW 49 066	850x2000	1

ACCESSORIES SUPPLIED: mounting pins; key in zama alloy.

CHARACTERISTICS: use as front or rear door; possibility to assemble the door with reversible opening (right/left); IP65 sealing gaskets applied on the door; possibility of replacing the handle insert with security lock; sheet metal painted with epoxy-polyester powders, Grey RAL 7035.



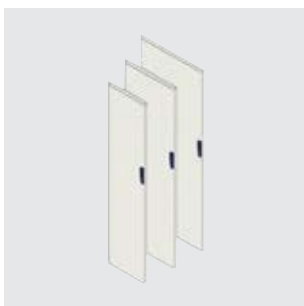
GW 49 071

FRONT OR REAR PROTRUDING GLASS IP65 DOORS EQUIPPED WITH HANDLE AND ROD-MECHANISM LOCK

Code	For structures LxH (mm)	Pack Carton
GW 49 071	600x1800	1
GW 49 072	600x2000	1
GW 49 073	850x1800	1
GW 49 074	850x2000	1

ACCESSORIES SUPPLIED: mounting pins; key in zama alloy.

CHARACTERISTICS: door for assembly of MTX moulded-case switches with direct rotary handle, motor control and interlocked in extractable/plug-in assembly; use as front or rear door; possibility to assemble the door with reversible opening (right/left); IP65 sealing gaskets applied on the door; possibility of replacing the handle insert with security lock; sheet metal painted with epoxy-polyester powders, Grey RAL 7035.



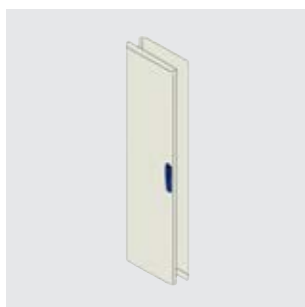
GW 49 081

SOLID PAINTED SHEET STEEL DOORS IP65 EQUIPPED WITH HANDLE AND ROD-MECHANISM LOCK

Code	For structures LxH (mm)	Pack Carton
GW 49 081	400x1800	1
GW 49 082	400x2000	1
GW 49 083	600x1800	1
GW 49 084	600x2000	1
GW 49 085	850x1800	1
GW 49 086	850x2000	1

ACCESSORIES SUPPLIED: mounting pins; key in zama alloy.

CHARACTERISTICS: use as front or rear door; possibility to assemble the door with reversible opening (right/left); IP65 sealing gaskets applied on the door; possibility of replacing the handle insert with security lock; sheet metal painted with epoxy-polyester powders, Grey RAL 7035.



GW 49 051

PAIR OF SOLID LATERAL DOORS - IP65

Code	For structures HxD (mm)	Pack Carton
GW 49 051	1800x400	1
GW 49 052	2000x400	1
GW 49 053	1800x600	1
GW 49 054	2000x600	1
GW 49 055	1800x800	1
GW 49 056	2000x800	1

ACCESSORIES SUPPLIED: mounting pins; key in zama alloy.

CHARACTERISTICS: possibility to assemble the door with reversible opening (right/left); IP65 sealing gaskets applied on the door; possibility of replacing the handle insert with security lock; sheet metal painted with epoxy-polyester powders, Grey RAL 7035.



GW 49 102

FRONT FINISHING PROFILES IN INSULATING MATERIAL FOR DISTRIBUTION BOARDS WITHOUT DOOR IP31/IP41

Code	Type	For structures (mm)	Quantity	Pack Carton
Profile: Horizontal				
GW 49 101	Single	L=300	2 pieces	1
GW 49 102	Single	L=400	2 pieces	1
GW 49 103	Single	L=600	2 pieces	1
GW 49 104	Single	L=850	2 pieces	1
Profile: Vertical				
GW 49 105	Single	H=1800	2 pieces	1
GW 49 106	Double	H=1800	1 piece	1
GW 49 107	Single	H=2000	2 pieces	1
GW 49 108	Double	H=2000	1 piece	1

NOTES: for side structures choose the vertical profile for application on junction uprights.



GW 49 212

HORIZONTAL METAL PROFILES FOR IP41 DISTRIBUTION BOARDS WITHOUT DOORS

Code	For structures L (mm)	Quantity	Pack Carton
GW 49 211	400	4 pieces	1
GW 49 212	600	4 pieces	1
GW 49 213	850	4 pieces	1

NOTES: the metal profiles are fixed between each front panel and the one that follows.

INTERNAL CABLE COMPARTMENT



GW 49 112

INTERNAL CABLE COMPARTMENT KIT FOR NON-SEPARATED DISTRIBUTION BOARDS (OPEN FRAME) COMPLETE WITH HINGED COVER

Code	For structures LxH (mm)	Pack Carton
GW 49 112	850x1800	1
GW 49 114	850x2000	1

ACCESSORIES SUPPLIED: structure fixing accessories; double-finned key; pair of functional frames.

CHARACTERISTICS: option of mounting on right or left side of the box (B=850 mm); option of right or left opening of the hinged cover panel; panel in painted sheet metal colour Grey RAL 7035 complete with 2 locks.



GW 49 111

INTERNAL CABLE COMPARTMENT KIT FOR SEPARATED DISTRIBUTION BOARDS (CLOSED FRAME) COMPLETE WITH HINGED COVER AND REAR UPRIGHT

Code	For structures LxH (mm)	Pack Carton
GW 49 111	850x1800	1
GW 49 113	850x2000	1

ACCESSORIES SUPPLIED: structure fixing accessories; double-finned key; pair of functional frames and rear upright.

CHARACTERISTICS: option of mounting on right or left side of the box (B=850 mm); option of right or left opening of the hinged cover panel; panel in painted sheet metal colour Grey RAL 7035 complete with 2 locks.



GW 49 025

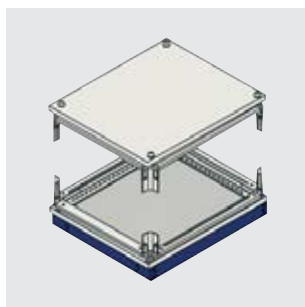
REAR UPRIGHTS FOR INTERNAL COMPARTMENT FOR NON-SEPARATED DISTRIBUTION BOARDS (OPEN FRAME)

Code	For structures (mm)	Pack Carton
GW 49 025	H=1800	1
GW 49 026	H=2000	1

CHARACTERISTICS: holes every 25 mm for mounting panelling and device installation kits.

NOTE: Suitable for fastening on the back of crosspieces, accessories, bars, etc..

EXTERNAL CABLE COMPARTMENT



GW 49 115

BASE COMPLETE WITH INSPECTABLE BASE MOUNT AND PRE-ASSEMBLED HEAD FOR EXTERNAL COMPARTMENT

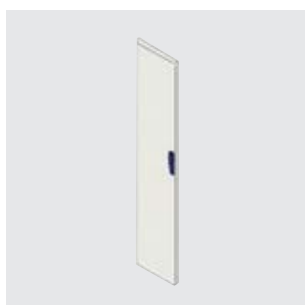
Code	Functional dim. LxD (mm)	External dim. LxD (mm)	Pack Carton
GW 49 115	300x400	420x323	1
GW 49 116	300x600	420x598	1
GW 49 117	300x800	420x798	1

ACCESSORIES SUPPLIED: cable gland plates and fixing accessories; mounting accessories; mounting accessories.

CHARACTERISTICS: lower cable entry; cable gland plate with IP65 sealing gaskets; skirting H=100 mm painted in colour Blue RAL 5003 that can be inspected; sheet metal painted with epoxy-polyester powders, Grey RAL 7035.

NOTES: to make the external cable compartment, use the vertical uprights GW49011 (H=1800 mm) or GW49012 (H=2000 mm).

The external compartment can be put together with the structure by using the special kit GW49163.



GW 49 121

INTERNAL/EXTERNAL SOLID DOORS AND REAR PANEL IN PAINTED SHEET STEEL

Code	For structures LxH (mm)	Pack Carton
Description: Internal door IP31/IP41		
GW 49 121	300x1800	1
GW 49 122	300x2000	1
Description: External door IP65		
GW 49 123	300x1800	1
GW 49 124	300x2000	1
Description: Rear panel IP65		
GW 49 097	300x1800	1
GW 49 098	300x2000	1

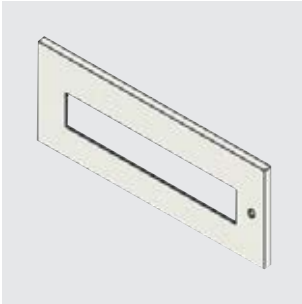
ACCESSORIES SUPPLIED: mounting accessories.

CHARACTERISTICS: possibility to assemble the door with reversible opening (right/left); IP65 sealing gaskets applied on the door/panel.

NOTES: the doorless version is completed with the finish profiles. The external doors can also be used as second doors in the version with external door.

FRONT CONFIGURATION

INSTALLATION KIT FOR DEVICES ON DIN RAIL



GW 49 501

FRONT PANELS IN PAINTED SHEET STEEL WITH DIN PERFORATION

Code	No. DIN rows	Dimensions LxH (mm)	Pack Carton
Modules: 12			
GW 49 501	1	400x200	1
Modules: 24			
GW 49 502	1	600x200	1
GW 49 504	2	600x300	1
GW 49 146	1	600x300	1
Modules: 36			
GW 49 506	1	850x200	1
GW 49 508	2	850x300	1
GW 49 147	1	850x300	1

ACCESSORIES SUPPLIED: mounting accessories.

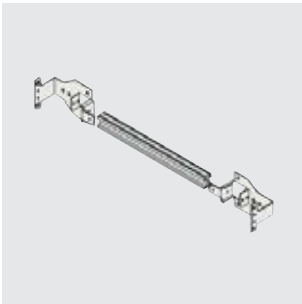
CHARACTERISTICS: front panel in painted sheet metal colour Grey RAL 7035; panel earthing by contact; captive panel fixing screws.

Rotation hinges included (welded to the panel).

NOTES: GW49504/8 for modular devices of the 90 range only.

GW49501/2/6 suitable for modular devices of the 90 and MTX/M 160c, MTX/M 160c ranges with lowered "L" add-on residual current device, MTX/E 160, MTX/M 250.

GW49146/7 specific version for MTX/M 160c, MTX/E 160, MTX/M 250 with "L" add-on residual current device.



GW 49 221

RAIL KIT EN 50022 (DIN 35) FOR MODULAR DEVICES (90 RANGE) AND MOULDED-CASE DEVICES UP TO 250A (MTX/M 160C - MTX/E 160 - MTX/M 250 RANGE)

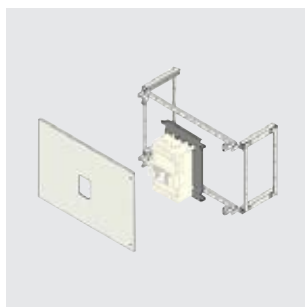
Code	Description	Type	For structures	Pack Carton
Modules: 12				
GW 49 221	1 DIN rail	Twin - Aluminium	open frame	1
GW 49 222	1 DIN rail	Twin - Aluminium	closed frame	1
Modules: 24				
GW 49 223	1 DIN rail	Twin - Aluminium	open frame	1/6
GW 49 224	1 DIN rail	Twin - Aluminium	closed frame	1/6
GW 49 225	2 DIN rails (int. 150 mm)	Twin - Aluminium	open frame	1/6
GW 49 148	1 DIN rail	Stiffened for MTX 160/c-250	open frame	1
Modules: 36				
GW 49 227	1 DIN rail	Twin - Aluminium	open frame	1/6
GW 49 230	1 DIN rail	Twin - Aluminium	closed frame	1/6
GW 49 228	2 DIN rails (int. 150 mm)	Twin - Aluminium	open frame	1/6
GW 49 149	1 DIN rail	Stiffened for MTX 160/c-250	open frame	1

ACCESSORIES SUPPLIED: double EN 50022 (DIN 35) rail in aluminium with depth adjustment.

NOTES: for the assembly of the MTX moulded-case devices with or without residual current device, order the special kit for fixing to the DIN rail.

The coupling of modular and moulded-case devices requires the GW49209 depth adapter.

INSTALLATION KIT FOR MTX AND MTS MOULDED-CASE DEVICES IN NON-SEGREGATED CABINETS



INSTALLATION KIT FOR MCCB UP TO 630A - WITH FRONT OR REAR COUPLINGS IN NON-SEPARATED CABINETS B = 400MM - COMPLETE WITH PERFORATED FRONT PANEL, SUPPORTS AND FIXING PLATES

Code	Execution	Control	No. of poles	Height H (mm)	Installation	Pack Carton
Suitable for: MTX/M 160c						
GW 49 183	Fixed	Lever	3P - 4P	200	Horizontal	1
GW 49 186	Fixed + add-on RCD	Lever	4P	200	Horizontal	1
Suitable for: MTX/E 160						
GW 49 184	Fixed	Lever	3P - 4P	200	Horizontal	1
GW 49 187	Fixed + add-on RCD	Lever	4P	200	Horizontal	1
GW 49 185	Plug-in	Lever	3P - 4P	200	Horizontal	1
Suitable for: MTX/M 250						
GW 49 188	Fixed	Lever	3P - 4P	200	Horizontal	1
GW 49 192	Fixed + add-on RCD	Lever	4P	300	Horizontal	1
GW 49 190	Plug-in	Lever	3P - 4P	200	Horizontal	1
GW 49 189	Fixed	Lever	3P - 4P	300	Vertical	1
GW 49 191	Plug-in	Lever	3P - 4P	400	Vertical	1
Suitable for: MTX/E/M 320						
GW 49 193	Fixed	Lever	3P - 4P	200	Horizontal	1
GW 49 194	Fixed	Lever	3P - 4P	400	Vertical	1
Suitable for: MTXM 400-MTX/E/M 630						
GW 49 195	Fixed	Lever	3P - 4P	300	Horizontal	1
GW 49 196	Fixed	Lever	3P - 4P	400	Vertical	1
GW 49 197	Fixed + add-on RCD	Lever	4P	500	Vertical	1

CHARACTERISTICS: front panel in painted sheet metal colour Grey RAL 7035, perforated for fixing the circuit breaker cover; panel earthing by contact; prearrangement of the panels for rotation hinges (included); pre-arrangement of the panel perforations for the assembly of the covers of the moulded-case devices; elastic rings to avoid losing the fixing screws; simple fixing of devices, thanks to the threaded bushings on the assembly plate.

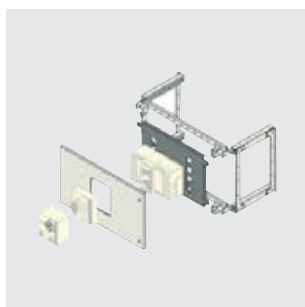
NOTE: GW49187/92 only front terminal



**INSTALLATION KIT FOR MCCB UP TO 1600A - WITH FRONT OR REAR COUPLINGS - IN NON-SEPARATED CABINETS
B = 600MM - COMPLETE WITH PERFORATED FRONT PANEL, SUPPORTS AND FIXING PLATES**

Code	Execution	Control	No. of poles	Height H (mm)	Installation	Pack Carton
Suitable for: MTX/M 160c						
GW 49 861	Fixed	Lever/Motor	3P - 4P	200	Horizontal	1
GW 49 863	Fixed + add-on RCD	Lever	4P	200	Horizontal	1
GW 49 866	Fixed	Straight rotary	3P - 4P	200	Horizontal	1
Suitable for: MTX/E 160						
GW 49 862	Fixed	Lever/Motor	3P - 4P	200	Horizontal	1
GW 49 867	Fixed	Straight rotary	3P - 4P	200	Horizontal	1
GW 49 864	Fixed + add-on RCD	Lever	4P	200	Horizontal	1
GW 49 865	Plug-in	Lever	3P - 4P	200	Horizontal	1
Suitable for: MTX/M 250						
GW 49 868	Fixed	Lever/Motor	3P - 4P	200	Horizontal	1
GW 49 869	Fixed	Straight rotary	3P - 4P	200	Horizontal	1
GW 49 870	Fixed + add-on RCD	Lever	4P	300	Horizontal	1
GW 49 875	Fixed interlocked	Lever/Motor	3P - 4P	500	Horizontal	1
GW 49 872	Plug-in	Lever/Motor	3P - 4P	200	Horizontal	1
GW 49 871	Plug-in	Straight rotary	3P - 4P	200	Horizontal	1
GW 49 873	Fixed	Lever	3P - 4P	300	Vertical	1
GW 49 874	Plug-in	Lever	3P - 4P	400	Vertical	1
Suitable for: MTX/E/M 320						
GW 49 876	Fixed	Lever/Straight rotary/Motor	3P - 4P	200	Horizontal	1
GW 49 880	Fixed + add-on RCD	Lever	4P	200	Horizontal	1
GW 49 878	Plug-in	Lever	3P - 4P	200	Horizontal	1
GW 49 884	Fixed/plug-in interlocked	Lever/Motor	3P - 4P	600	Horizontal	1
GW 49 882	Withdrawable	Lever/Straight rotary	3P - 4P	300	Horizontal	1
GW 49 886	Withdrawable	Motor	3P - 4P	300	Horizontal	1
GW 49 885	Withdrawable interlocked	Lever/Motor	3P - 4P	600	Horizontal	1
GW 49 877	Fixed	Lever/Straight rotary/Motor	3P - 4P	400	Vertical	1
GW 49 883	Withdrawable	Lever/Straight rotary	3P - 4P	400	Vertical	1
GW 49 887	Withdrawable	Motor	3P - 4P	400	Vertical	1
GW 49 881	Fixed + add-on RCD	Lever	4P	500	Vertical	1
GW 49 879	Plug-in	Lever	3P - 4P	400	Vertical	1
Suitable for: MTXM 400-MTX/E 630 (400A)						
GW 49 889	Plug-in	Lever	3P - 4P	300	Horizontal	1
GW 49 891	Withdrawable	Lever/Straight rotary	3P - 4P	300	Horizontal	1
GW 49 893	Withdrawable	Motor	3P - 4P	300	Horizontal	1
GW 49 896	Plug-in	Lever	3P - 4P	400	Vertical	1
GW 49 898	Withdrawable	Lever/Straight rotary	3P - 4P	400	Vertical	1
GW 49 900	Withdrawable	Motor	3P - 4P	400	Vertical	1
Suitable for: MTX/E/M 630 (500/630A)						
GW 49 890	Plug-in	Lever	3P - 4P	300	Horizontal	1
GW 49 892	Withdrawable	Lever/Straight rotary	3P - 4P	300	Horizontal	1
GW 49 894	Withdrawable	Motor	3P - 4P	300	Horizontal	1
GW 49 897	Plug-in	Lever	3P - 4P	500	Vertical	1
GW 49 899	Withdrawable	Lever/Straight rotary	3P - 4P	500	Vertical	1
GW 49 901	Withdrawable	Motor	3P - 4P	500	Vertical	1
Suitable for: MTXM 400-MTX/E/M 630						
GW 49 888	Fixed	Lever/Straight rotary/Motor	3P - 4P	300	Horizontal	1
GW 49 902	Fixed + add-on RCD	Lever	4P	300	Horizontal	1
GW 49 904	Fixed/plug-in interlocked	Lever/Motor	3P - 4P	600	Horizontal	1
GW 49 905	Withdrawable interlocked	Lever/Motor	3P - 4P	600	Horizontal	1
GW 49 895	Fixed	Lever/Straight rotary/Motor	3P - 4P	400	Vertical	1
GW 49 903	Fixed + add-on RCD	Lever	4P	500	Vertical	1

to be continued on next page



(CONTINUE)

**INSTALLATION KIT FOR MCCB UP TO 1600A - WITH FRONT OR REAR COUPLINGS - IN NON-SEPARATED CABINETS
B = 600MM - COMPLETE WITH PERFORATED FRONT PANEL, SUPPORTS AND FIXING PLATES**

Code	Execution	Control	No. of poles	Height H (mm)	Installation	Pack Carton
Suitable for: MTX/E/M 1000						
GW 49 906	Fixed	Lever	3P - 4P	500	Horizontal	1
GW 49 908	Fixed	Straight rotary	3P - 4P	500	Horizontal	1
GW 49 909	Fixed	Motor	3P - 4P	500	Horizontal	1
GW 49 911	Fixed interlocked	Lever	3P - 4P	800	Horizontal	1
GW 49 912	Fixed interlocked	Motor	3P - 4P	800	Horizontal	1
GW 49 907	Withdrawable	Lever/Straight rotary	3P - 4P	500	Horizontal	1
GW 49 910	Withdrawable	Motor	3P - 4P	500	Horizontal	1
GW 49 913	Withdrawable interlocked	Lever	3P - 4P	800	Horizontal	1
GW 49 914	Withdrawable interlocked	Motor	3P - 4P	800	Horizontal	1
GW 49 915	Fixed	Lever	3P - 4P	500	Vertical	1
GW 49 917	Fixed	Straight rotary	3P - 4P	500	Vertical	1
GW 49 918	Fixed	Motor	3P - 4P	500	Vertical	1
GW 49 916	Withdrawable	Lever/Straight rotary	3P - 4P	500	Vertical	1
GW 49 919	Withdrawable	Motor	3P - 4P	500	Vertical	1
Suitable for: MTSE/M 1600						
GW 49 311	Fixed	Lever	3P - 4P	600	Horizontal	1
GW 49 312	Fixed	Straight rotary	3P - 4P	600	Horizontal	1
GW 49 313	Fixed	Motor	3P - 4P	600	Horizontal	1
GW 49 314	Fixed interlocked	Lever	4P	800	Horizontal	1
GW 49 315	Fixed/Withdrawable interlocked	Motor	4P	800	Horizontal	1
GW 49 316	Withdrawable interlocked	Lever	4P	800	Horizontal	1
GW 49 317	Fixed	Lever	3P - 4P	700	Vertical	1
GW 49 318	Withdrawable	Lever/Straight rotary	3P - 4P	700	Vertical	1
GW 49 319	Fixed	Straight rotary	3P - 4P	700	Vertical	1
GW 49 320	Fixed	Motor	3P - 4P	700	Vertical	1
GW 49 322	Withdrawable	Motor	3P - 4P	700	Vertical	1

CHARACTERISTICS: front panel in painted sheet metal colour Grey RAL 7035, perforated for fixing the circuit breaker cover; panel earthing by contact; prearrangement of the panels for rotation hinges (included); pre-arrangement of the panel perforations for the assembly of the covers of the moulded-case devices; elastic rings to avoid losing the fixing screws; simple fixing of devices, thanks to the threaded bushings on the assembly plate.

NOTES: interlock plate to be purchased separately.

GW49864/70 only front terminal

GW49911/2-GW49311/2/3 only rear terminal.



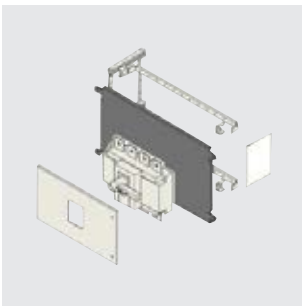
INSTALLATION KIT FOR MCCB UP TO 1600A - WITH FRONT OR REAR COUPLINGS - IN NON-SEPARATED CABINETS B = 850MM - COMPLETE WITH PERFORATED FRONT PANEL, SUPPORTS AND FIXING PLATES

Code	Execution	Control	No. of poles	Height H (mm)	Installation	Pack Carton
Suitable for: MTX/M 160c						
GW 49 926	Fixed + add-on RCD	Lever	4P	200	Horizontal	1
Suitable for: MTX/E 160						
GW 49 927	Fixed + add-on RCD	Lever	4P	200	Horizontal	1
Suitable for: MTX/M 250						
GW 49 928	Fixed	Lever	3P - 4P	200	Horizontal	1
GW 49 929	Fixed + add-on RCD	Lever	4P	300	Horizontal	1
GW 49 930	Fixed	Lever	3P - 4P	300	Vertical	1
Suitable for: MTXM 400-MTX/E/M 630						
GW 49 931	Fixed	Lever	3P - 4P	300	Horizontal	1
GW 49 932	Fixed	Lever	3P - 4P	400	Vertical	1
GW 49 933	Fixed + add-on RCD	Lever	4P	300	Horizontal	1
GW 49 934	Fixed + add-on RCD	Lever	4P	500	Vertical	1
Suitable for: MTX/E/M 1000						
GW 49 935	Fixed	Lever	3P - 4P	500	Vertical	1
Suitable for: MTSE/M 1600						
GW 49 340	Fixed	Lever	3P - 4P	700	Vertical	1

CHARACTERISTICS: front panel in painted sheet metal colour Grey RAL 7035, perforated for fixing the circuit breaker cover; panel earthing by contact; prearrangement of the panels for rotation hinges (included); pre-arrangement of the panel perforations for the assembly of the covers of the moulded-case devices; elastic rings to avoid losing the fixing screws; simple fixing of devices, thanks to the threaded bushings on the assembly plate.

NOTE: GW49927/9 only front terminal

INSTALLATION KIT FOR MSS IN NON SEPARATE DISTRIBUTION BOARDS

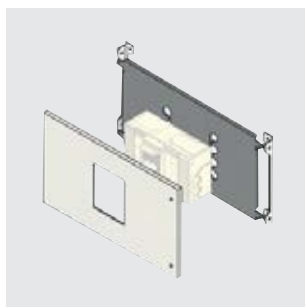


INSTALLATION KIT FOR A SWITCH DISCONNECTOR UP TO 630 A IN FIXED EXECUTION WITH FRONT TERMINALE IN NON SEPARATED CABINETS - COMPLETE WITH PERFORATED FRONT PANEL, SUPPORTS AND FIXING PLATES

Code	Dimensions LxH (mm)	Suitable for	No. of poles	Installation	Pack Carton
Modules: 24					
GW 49 491	600x300	MSS 250	3P - 4P	Horizontal/Vertical	1
GW 49 492	600x400	MSS 630	3P - 4P	Horizontal	1
GW 49 493	600x500	MSS 630	3P - 4P	Vertical	1
Modules: 36					
GW 49 494	850x300	MSS 250	3P - 4P	Horizontal/Vertical	1
GW 49 495	850x400	MSS 630	3P - 4P	Horizontal	1
GW 49 496	850x500	MSS 630	3P - 4P	Vertical	1

CHARACTERISTICS: front panel in painted sheet metal colour Grey RAL 7035, perforated for fixing the circuit breaker cover; panel earthing by contact; prearrangement of the panels for rotation hinges (included); pre-arrangement of the panel perforations for the assembly of the covers of the moulded-case devices; elastic rings to avoid losing the fixing screws; simple fixing of devices, thanks to the threaded bushings on the assembly plate.

INSTALLATION KIT FOR MTX AND MTS MOULDED-CASE DEVICES IN SEPARATED CABINETS

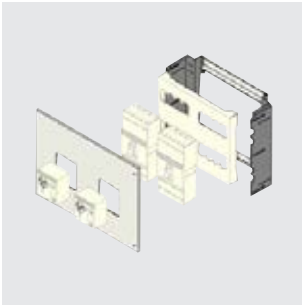


INSTALLATION KIT FOR MCCB UP TO 630A - WITH REAR TERMINALS IN SEPARATED CABINETS B = 400MM

COMPLETE WITH PERFORATED FRONT PANEL, SUPPORTS AND FIXING PLATES

Code	Execution	Control	No. of poles	Height H (mm)	Installation	Pack Carton
Suitable for: MTX/M 160c						
GW 49 584	Fixed	Lever	3P - 4P	200	Horizontal	1
Suitable for: MTX/E 160						
GW 49 585	Fixed	Lever	3P - 4P	200	Horizontal	1
GW 49 586	Plug-in	Lever	3P - 4P	200	Horizontal	1
Suitable for: MTX/M 250						
GW 49 587	Fixed	Lever	3P - 4P	200	Horizontal	1
GW 49 588	Plug-in	Lever	3P - 4P	200	Horizontal	1
Suitable for: MTX/E/M 320						
GW 49 589	Fixed	Lever	3P - 4P	200	Horizontal	1
GW 49 590	Fixed	Lever	3P - 4P	400	Vertical	1
Suitable for: MTX/M 400-MTX/E/M 630 (400 A)						
GW 49 592	Fixed	Lever	3P - 4P	300	Horizontal	1
GW 49 593	Fixed	Lever	3P - 4P	400	Vertical	1
Suitable for: MTX/E/M 630 (500/630A)						
GW 49 594	Plug-in	Lever	3P - 4P	400	Vertical	1
GW 49 595	Withdrawable	Lever	3P - 4P	400	Vertical	1

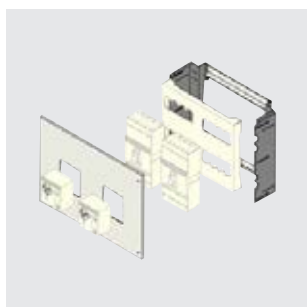
CHARACTERISTICS: front panel in painted sheet metal colour Grey RAL 7035, perforated for fixing the circuit breaker cover; panel earthing by contact; prearrangement of the panels for rotation hinges (included); elastic rings to avoid losing the fixing screws; simple fixing of devices, thanks to the threaded bushings on the assembly plate; standard configuration for Form 2 divider segregation; pre-arrangement for conversion to Form 3 and Form 4 with special segregation kits.



**INSTALLATION KIT FOR MCCB SWITCH TO 1600A WITH REAR TERMINALS
IN SEPARATED CABINETS B = 600MM
COMPLETE WITH PERFORATED FRONT PANEL, SUPPORTS AND FIXING PLATES**

Code	Execution	Control	No. of poles	Height H (mm)	Installation	Pack Carton
Suitable for: MTX/M 160c						
GW 49 941	Fixed	Lever/Motor	3P - 4P	200	Horizontal	1
GW 49 943	Fixed + add-on RCD	Lever	4P	200	Horizontal	1
Suitable for: MTX/E 160						
GW 49 942	Fixed	Lever/Motor	3P - 4P	200	Horizontal	1
GW 49 945	Fixed	Straight rotary	3P - 4P	200	Horizontal	1
GW 49 944	Plug-in	Lever	3P - 4P	200	Horizontal	1
Suitable for: MTX/M 250						
GW 49 946	Fixed	Lever/Motor	3P - 4P	200	Horizontal	1
GW 49 947	Fixed	Straight rotary	3P - 4P	200	Horizontal	1
GW 49 950	Fixed interlocked	Lever/Motor	3P - 4P	600	Horizontal	1
GW 49 948	Plug-in	Lever	3P - 4P	200	Horizontal	1
GW 49 949	Plug-in	Straight rotary	3P - 4P	200	Horizontal	1
Suitable for: MTX/E/M 320						
GW 49 951	Fixed	Lever/Straight rotary	3P - 4P	200	Horizontal	1
GW 49 954	Fixed	Motor	3P - 4P	200	Horizontal	1
GW 49 958	Fixed/plug-in interlocked	Lever / Motor (fixed only)	3P - 4P	600	Horizontal	1
GW 49 952	Plug-in	Lever/Straight rotary	3P - 4P	200	Horizontal	1
GW 49 959	Plug-in interlocked	Motor	3P - 4P	600	Horizontal	1
GW 49 953	Withdrawable	Lever/Straight rotary	3P - 4P	300	Horizontal	1
GW 49 960	Withdrawable	Motor	3P - 4P	300	Horizontal	1
GW 49 961	Withdrawable interlocked	Lever	3P - 4P	600	Horizontal	1
GW 49 962	Withdrawable interlocked	Motor	3P - 4P	600	Horizontal	1
GW 49 955	Fixed	Lever	3P - 4P	400	Vertical	1
GW 49 956	Plug-in	Lever	3P - 4P	400	Vertical	1
GW 49 957	Withdrawable	Lever	3P - 4P	400	Vertical	1
Suitable for: MTXM 400-MTX/E 630 (400A)						
GW 49 964	Plug-in	Lever/Straight rotary	3P - 4P	300	Horizontal	1
GW 49 966	Withdrawable	Lever/Straight rotary	3P - 4P	300	Horizontal	1
GW 49 968	Withdrawable	Motor	3P - 4P	300	Horizontal	1
GW 49 972	Plug-in	Lever	3P - 4P	400	Vertical	1
GW 49 974	Withdrawable	Lever	3P - 4P	400	Vertical	1
Suitable for: MTX/E/M 630 (500/630A)						
GW 49 965	Plug-in	Lever/Straight rotary	3P - 4P	300	Horizontal	1
GW 49 967	Withdrawable	Lever/Straight rotary	3P - 4P	300	Horizontal	1
GW 49 969	Withdrawable	Motor	3P - 4P	300	Horizontal	1
GW 49 973	Plug-in	Lever	3P - 4P	400	Vertical	1
GW 49 975	Withdrawable	Lever	3P - 4P	400	Vertical	1
Suitable for: MTXM 400-MTX/E/M 630						
GW 49 963	Fixed	Lever/Straight rotary	3P - 4P	300	Horizontal	1
GW 49 970	Fixed	Motor	3P - 4P	300	Horizontal	1
GW 49 976	Fixed/plug-in interlocked	Lever / Motor (fixed only)	3P - 4P	600	Horizontal	1
GW 49 977	Plug-in interlocked	Motor	3P - 4P	600	Horizontal	1
GW 49 978	Withdrawable interlocked	Lever	3P - 4P	600	Horizontal	1
GW 49 979	Withdrawable interlocked	Motor	3P - 4P	600	Horizontal	1
GW 49 971	Fixed	Lever	3P - 4P	400	Vertical	1
Suitable for: MTX/E/M 1000						
GW 49 980	Fixed	Lever	3P - 4P	500	Horizontal	1
GW 49 982	Fixed	Straight rotary	3P - 4P	500	Horizontal	1
GW 49 981	Fixed	Motor	3P - 4P	500	Horizontal	1
GW 49 985	Fixed interlocked	Lever	3P - 4P	800	Horizontal	1
GW 49 986	Fixed interlocked	Motor	3P - 4P	800	Horizontal	1
GW 49 984	Withdrawable	Lever/Straight rotary	3P - 4P	500	Horizontal	1
GW 49 983	Withdrawable	Motor	3P - 4P	500	Horizontal	1
GW 49 987	Withdrawable interlocked	Lever	3P - 4P	800	Horizontal	1
GW 49 988	Withdrawable interlocked	Motor	3P - 4P	800	Horizontal	1
GW 49 989	Fixed	Lever	3P - 4P	500	Vertical	1
GW 49 991	Fixed	Straight rotary	3P - 4P	500	Vertical	1
GW 49 992	Fixed	Motor	3P - 4P	500	Vertical	1
GW 49 990	Withdrawable	Lever/Straight rotary	3P - 4P	500	Vertical	1
GW 49 993	Withdrawable	Motor	3P - 4P	500	Vertical	1

to be continued on next page



(CONTINUE)

**INSTALLATION KIT FOR MCCB SWITCH TO 1600A WITH REAR TERMINALS
IN SEPARATED CABINETS B = 600MM**

COMPLETE WITH PERFORATED FRONT PANEL, SUPPORTS AND FIXING PLATES

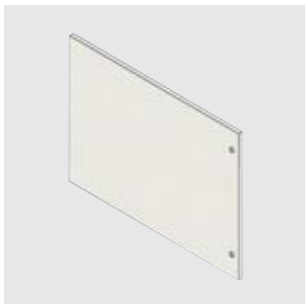
Code	Execution	Control	No. of poles	Height H (mm)	Installation	Pack Carton
Suitable for: MTSE/M 1600						
GW 49 432	Fixed	Lever	3P - 4P	600	Horizontal	1
GW 49 433	Fixed	Straight rotary	3P - 4P	600	Horizontal	1
GW 49 434	Fixed	Motor	3P - 4P	600	Horizontal	1
GW 49 435	Fixed interlocked	Lever	4P	800	Horizontal	1
GW 49 436	Fixed interlocked	Motor	4P	800	Horizontal	1
GW 49 437	Withdrawable interlocked	Lever	4P	800	Horizontal	1
GW 49 438	Withdrawable interlocked	Motor	4P	800	Horizontal	1
GW 49 439	Fixed	Lever	3P - 4P	800	Vertical	1
GW 49 440	Withdrawable	Lever/Straight rotary	3P - 4P	800	Vertical	1
GW 49 441	Fixed	Straight rotary	3P - 4P	800	Vertical	1
GW 49 442	Fixed	Motor	3P - 4P	800	Vertical	1
GW 49 443	Withdrawable	Motor	3P - 4P	800	Vertical	1

CHARACTERISTICS: front panel in painted sheet metal colour Grey RAL 7035, perforated for fixing the circuit breaker cover; panel earthing by contact; prearrangement of the panels for rotation hinges (included); elastic rings to avoid losing the fixing screws; simple fixing of devices, thanks to the threaded bushings on the assembly plate; standard configuration for Form 2 divider segregation; pre-arrangement for conversion to Form 3 and Form 4 with special segregation kits.

NOTES: interlock plate to be purchased separately.

GW49960/68/69/83/90/91/92/93 and GW49440/41/42/43 - Form 2 only.

FRONT PANELS



GW 49 459

SOLID FRONT PANELS

Code	Dimensions LxH (mm)	Pack Carton
Modules: 12		
GW 49 451	400x100	1
GW 49 452	400x200	1
GW 49 453	400x300	1
GW 49 454	400x400	1
GW 49 455	400x600	1
Modules: 24		
GW 49 456	600x100	1
GW 49 457	600x200	1
GW 49 458	600x300	1
GW 49 459	600x400	1
GW 49 460	600x600	1
GW 49 461	600x800	1
GW 49 463	600x1800	1
GW 49 464	600x2000	1
Modules: 36		
GW 49 470	850x100	1
GW 49 471	850x200	1
GW 49 472	850x300	1
GW 49 473	850x400	1
GW 49 474	850x600	1
GW 49 481	850x800	1
GW 49 476	850x1800	1
GW 49 477	850x2000	1

ACCESSORIES SUPPLIED: fixing accessories.

CHARACTERISTICS: front panel in painted sheet metal colour Grey RAL 7035; earthing by contact; elastic rings to avoid losing the fixing screws; prearrangement of the panels for rotation hinges (included).



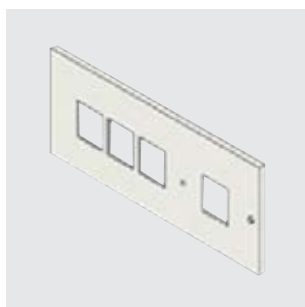
GW 49 466

SOLID FRONT RECESSED PANELS

Code	Dimensions LxH (mm)	Pack Carton
Modules: 24		
GW 49 465	600x200	1
GW 49 466	600x400	1
GW 49 467	600x600	1
Modules: 36		
GW 49 478	850x200	1
GW 49 479	850x400	1
GW 49 480	850x600	1

ACCESSORIES SUPPLIED: fixing accessories.

CHARACTERISTICS: front panel in painted sheet metal colour Grey RAL 7035; earthing by contact; elastic rings to avoid losing the fixing screws; prearrangement of the panels for rotation hinges (included).



GW 49 516

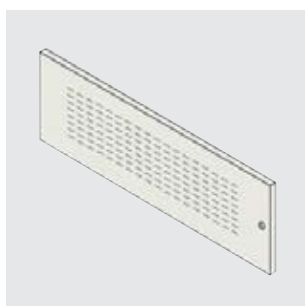
PANELS FOR SQUARE MEASURING INSTRUMENTS

Code	Dimensions LxH (mm)	3-way switch no. x hole Ø	Instruments N. x dimensions	Pack Carton
Modules: 24				
GW 49 514	600x200	2 Ø9.5 mm	2 72x72 mm	1
GW 49 515	600x200	2 Ø9.5 mm	2 96x96 mm	1
GW 49 516	600x200	1 Ø9.5 mm	4 72x72 mm	1
GW 49 517	600x200	1 Ø9.5 mm	4 96x96 mm	1
Modules: 36				
GW 49 518	850x200	2 Ø9.5 mm	2 72x72 mm	1
GW 49 519	850x200	2 Ø9.5 mm	2 96x96 mm	1
GW 49 520	850x200	1 Ø9.5 mm	4 72x72 mm	1
GW 49 521	850x200	1 Ø9.5 mm	4 96x96 mm	1

ACCESSORIES SUPPLIED: fixing accessories.

CHARACTERISTICS: front panel in painted sheet metal colour Grey RAL 7035; earthing by contact; elastic rings to avoid losing the fixing screws; prearrangement of the panels for rotation hinges (included).

APPLICATIONS: installation of ammeters, voltmeters, voltmeter/ammeter three-way switches and distribution boards residual current relay.



GW 49 468

AERATION FRONT PANELS

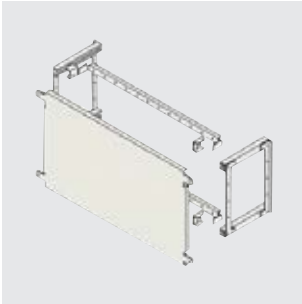
Code	Dimensions LxH (mm)	Pack Carton
GW 49 468	600x100	1
GW 49 469	600x200	1

CHARACTERISTICS: front panel in painted sheet metal colour Grey RAL 7035; earthing by contact; elastic rings to avoid losing the fixing screws; prearrangement of the panels for rotation hinges (included).

APPLICATIONS: natural ventilation in floor-mounting distribution boards in combination with aerated side panels.

INTERNAL CONFIGURATION

BACK-MOUNTING PLATES



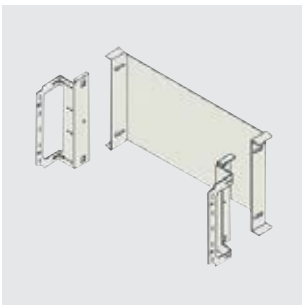
GW 49 801

FLAT BACK-MOUNTING PLATES FOR MOUNTING NON-MODULAR DEVICES

Code	Dimensions LxH (mm)	Pack Carton
Distribution boards: non separated - 12 modules		
GW 49 801	400x200	1
Distribution boards: non separated - 24 modules		
GW 49 805	600x200	1
GW 49 806	600x300	1
GW 49 807	600x400	1
GW 49 808	600x600	1
Distribution boards: non separated - 36 modules		
GW 49 812	850x200	1
GW 49 813	850x300	1
GW 49 814	850x400	1
GW 49 815	850x600	1
Distribution boards: separated - 12 modules		
GW 49 819	400x200	1
Distribution boards: separated - 24 modules		
GW 49 823	600x200	1
GW 49 824	600x300	1
GW 49 825	600x400	1
GW 49 826	600x600	1
GW 49 827	600x800	1
Distribution boards: separated - 36 modules		
GW 49 851	850x200	1
GW 49 852	850x300	1
GW 49 853	850x400	1
GW 49 854	850x600	1
GW 49 855	850x800	1

ACCESSORIES SUPPLIED: fixing accessories.

CHARACTERISTICS: possibility to adjust the depth of the plate; plate in steel sheet thickness 20-25/10 mm.



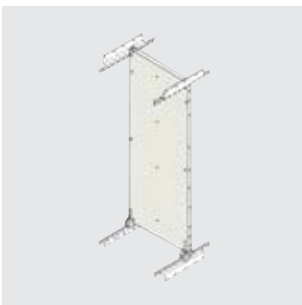
GW 49 809

BACK-MOUNTING INDENTED PLATES FOR MOUNTING NON-MODULAR DEVICES

Code	Dimensions LxH (mm)	Pack Carton
Distribution boards: non separated - 24 modules		
GW 49 809	600x200	1
GW 49 810	600x400	1
GW 49 811	600x600	1
Distribution boards: non separated - 36 modules		
GW 49 816	850x200	1
GW 49 817	850x400	1
GW 49 818	850x600	1

ACCESSORIES SUPPLIED: fixing accessories.

CHARACTERISTICS: possibility to adjust the depth of the plate; plate in steel sheet thickness 20-25/10 mm.



GW 49 828

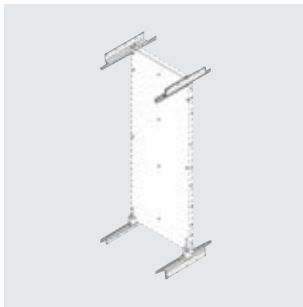
BACK-MOUNTING FULL HEIGHT PLATES FOR MOUNTING NON-MODULAR DEVICES

Code	Dimensions LxH (mm)	Pack Carton
Modules: 24		
GW 49 828	600x1800	1
GW 49 829	600x2000	1
Modules: 36		
GW 49 830	850x1800	1
GW 49 831	850x2000	1

ACCESSORIES SUPPLIED: fixing accessories.

CHARACTERISTICS: plate in steel sheet thickness 20-25/10 mm.

NOTES: to secure the plate to the structure, use the supports recommended in the following table.



GW 49 832

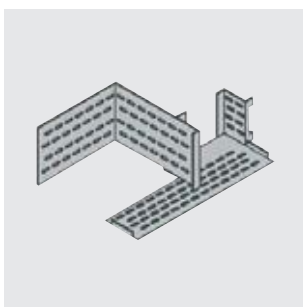
SUPPORTS FOR FULL HEIGHT BACK-MOUNTING PLATES

Code	For structures (mm)	Pack Carton
GW 49 832	D=400	1
GW 49 833	D=600	1
GW 49 834	D=800	1

ACCESSORIES SUPPLIED: 4 supports with relative fixing accessories.

NOTES: allow the depth adjustment (full height) of the back-mounting plate.

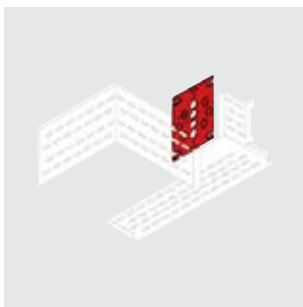
INTERNAL SEPARATIONS FOR CIRCUIT BREAKERS



GW 49 531

DIVIDER KIT - FORM 3B

Code	Panel dimension LxH (mm)	Pack Carton
Installation: Horizontal		
GW 49 531	400x200	1
GW 49 532	400x300	1
GW 49 534	400x600	1
GW 49 535	600x200	1
GW 49 536	600x300	1
GW 49 538	600x500	1
GW 49 539	600x600	1
GW 49 544	600x800	1
Installation: Vertical		
GW 49 996	400/600x400 (D=600)	1
GW 49 997	400/600x400 (D=800)	1
GW 49 540	400/600x500 (D=600)	1
GW 49 541	400/600x500 (D=800)	1
GW 49 543	600x800 (D=800)	1



GW 49 550

DIVIDER KIT - FORM 4B

Code	Front dim. LxH (mm)	Pack Carton
Installation: Horizontal		
GW 49 550	400/600x200	1
GW 49 551	400/600x300	1
GW 49 553	600x500	1
GW 49 554	600x600	1
Installation: Vertical		
GW 49 998	400/600x400 (D=600)	1
GW 49 999	400/600x400 (D=800)	1
GW 49 555	400/600x500 (D=600)	1
GW 49 556	400/600x500 (D=800)	1
GW 49 558	600x800 (D=800)	1

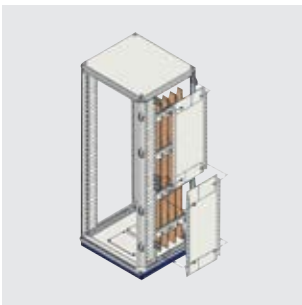
INTERNAL SEPARATION FOR BUSBAR



GW 49 561

INTERNAL SEPARATIONS FOR SYSTEMS OF HORIZONTAL BUSBARS IN THE STRUCTURE

Code	Description	Type	Width (mm)	Pack Carton
GW 49 561	Horizontal tray	Universal	400	1
GW 49 562	Horizontal tray	Universal	600	1
GW 49 578	Horizontal tray	Universal	850	1
GW 49 563	Horizontal separation		400	1
GW 49 564	Horizontal separation		600	1
GW 49 565	Vertical separation	Rear	400	1
GW 49 566	Vertical separation	Rear	600	1

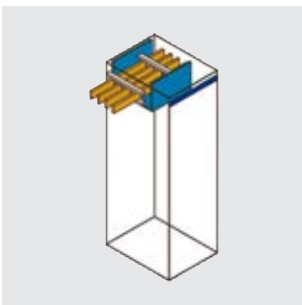


GW 49 567

INTERNAL SEPARATIONS FOR SYSTEMS OF VERTICAL BUSBARS IN THE STRUCTURE

Code	Description	Type	For structures (mm)	Height (mm)	Pack Carton
GW 49 567	Vertical separation	Lateral	D=600	1800	1
GW 49 568	Vertical separation	Lateral	D=600	2000	1
GW 49 569	Vertical separation	Lateral	D=800	1800	1
GW 49 570	Vertical separation	Lateral	D=800	2000	1
GW 49 573	N. 4 spacers				1

GW49573: They permit simultaneous mounting of the vertical dividers and of the crosspieces positioned between the functional frame and the rear upright.



GW 49 574

INTERNAL SEPARATIONS FOR BUSBARS SYSTEMS IN THE CABLE COMPARTMENT

Code	Description	For busbars	Suitable for	Pack Carton
GW 49 574	Horizontal separation	Horizontal Up/down	internal cable compartment	1
GW 49 575	Horizontal separation	Horizontal Up/down	External cable compartment	1
GW 49 576	Horizontal separation	Horizontal Up/down	Structures L=400 mm	1
GW 49 577	Horizontal separation	Horizontal Up/down	Structures L=600 mm	1
GW 49 571	Rear separation	Vertical	Internal cable comp. H=1800 mm	1
GW 49 572	Rear separation	Vertical	Internal cable comp. H=2000 mm	1

NOTE: the GW49576 and GW49577 internal separations have to be chosen if the structure is used as a cable compartment.

COMPLEMENTARY ITEMS

ACCESSORIES

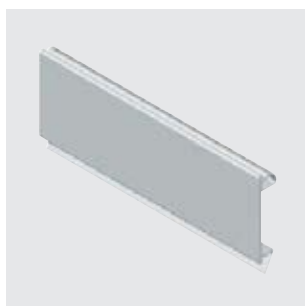


GW 49 209

DEPTH ADAPTOR

Code	Length (mm)	Pack Carton
GW 49 209	600	1

APPLICATIONS: compensation of the different installation depths on DIN rail EN 50022 of the modular devices (90 Range) and moulded case devices (MTX/M 160c - MTX/E 160 - MTX/M 250 range).

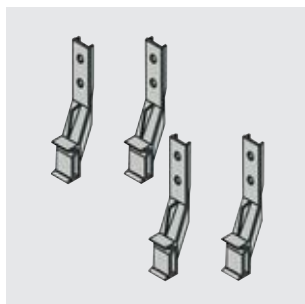


GW 47 291

BLANKING MODULE PROFILE IN PLASTIC MATERIAL - GREY RAL 7035

Code	Colour	Pack Carton
GW 47 291	Grey RAL 7035	10

CHARACTERISTICS: clip fixing on DIN perforated front panels.



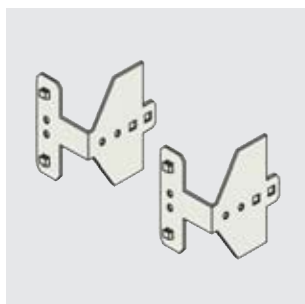
GW 49 201

WIRING TRUNKING SUPPORTS

Code	Description	Suitable for	Pack Carton
GW 49 201	N. 4 plastic supports	horizontal trunking	1/4
GW 49 202	N. 4 metal supports	horizontal trunking	1/4

APPLICATIONS: horizontal mounting of trunking up to 60x80 mm in segregated boxes.

NOTES: the plastic support is secured on the back of the double aluminium DIN rail, whereas the metal support is secured on the rail brackets. Both supports allow the trunking depth to be adjusted.



GW 49 207

SUPPORTS FOR TERMINAL BLOCKS ON NON-SEPARATED DISTRIBUTION BOARDS (OPEN FRAME)

Code	Description	Pack Carton
GW 49 203	N. 2 horizontal supports 45° inclination	1
GW 49 207	N. 2 horizontal supports	1
GW 49 208	N. 4 supports x compart. internal/external	1



GW 47 691

RAIL PROFILES FOR MODULAR DEVICES AND TERMINALS

Code	Profile	Length (mm)	Pack Carton
GW 47 691	EN 50022 (DIN 35)	2000	1/5
GW 47 692	EN 50035 (G 32)	2000	1/5
GW 47 693	EN 50024 (C30)	2000	1/5

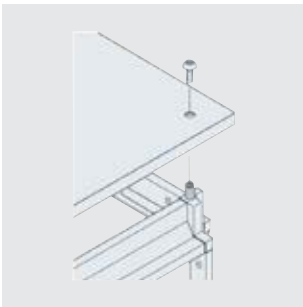


GW 49 163

KIT FOR LATERAL AND REAR SIDE-BY-SIDE MOUNTING OF IP65 STRUCTURES

Code	Description	Pack Carton
GW 49 163	Structures coupling kit H=1800-2000mm	1

ACCESSORIES SUPPLIED: plates and sealing gaskets.



GW 49 164

ROOF AERATION KIT - IP20

Code	Description	Pack Carton
GW 49 164	Roof aeration kit	1

CHARACTERISTICS: the kit allows aeration, and therefore the dissipable power to be increased. The protection rating is reduced to IP20.



GW 49 133

**ADDITIONAL PLINTH H=100MM BLUE RAL 5003 PAINTED
INSPECTABLE ON FOUR SIDES THANKS TO REMOVABLE PANELS**

Code	For structure LxD (mm)	Pack Carton
GW 49 131	300x400	1
GW 49 132	300x600	1
GW 49 133	300x800	1
GW 49 134	400x400	1
GW 49 135	400x600	1
GW 49 136	400x800	1
GW 49 137	600x400	1
GW 49 138	600x600	1
GW 49 139	600x800	1
GW 49 140	850x400	1
GW 49 141	850x600	1
GW 49 142	850x800	1

ACCESSORIES SUPPLIED: 4 angle bars; 4 panels; mounting elements.

CHARACTERISTICS: additional block-mount to facilitate cable entry and raise the board.



GW 46 448

VENTILATION KIT

Code	IP degree	Rated voltage	Fixing hole (mm)	Screws centre distance (mm)	Pack Carton
GW 46 448	IP44	230 V - 50 / 60 Hz	125x117	123x115	1/2

CHARACTERISTICS: the fan takes in air from the outside and introduces it into the distribution board, creating a slight overpressure that prevents foreign particles from entering. Max fan capacity 60 m³/h. Absorbed power equal to 20 W.

APPLICATIONS: forced ventilation in critical thermal conditions.

ACCESSORIES SUPPLIED: drilling template.



GW 46 471

AERATION KIT

Code	IP degree	Fixing hole (mm)	Screws centre distance (mm)	Pack Carton
GW 46 471	IP44	125x117	123x115	1/10

ACCESSORIES SUPPLIED: drilling template.



GW 46 447

ADHESIVE DOCUMENT POCKET

Code	Dimensions LxH (mm)	Pack Carton
GW 46 447	230x310	1/10



GW 49 162

SECURITY LOCK

Code	Characteristics	Pack Carton
GW 49 162	Yale type	1

NOTE: the lock is supplied with identical keys.



GW 49 167

SET OF 2 METAL BRACKETS FOR WALL FIXING

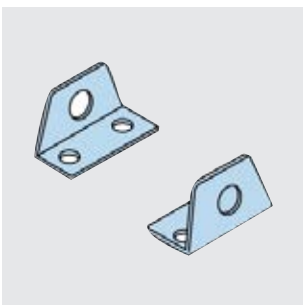
Code	Characteristics	Pack Carton
GW 49 167	for wall fixing	1



GW 47 492

PAIR OF LIFTING EYEBOLTS

Code	Characteristics	Pack Carton
GW 47 492	M12	1

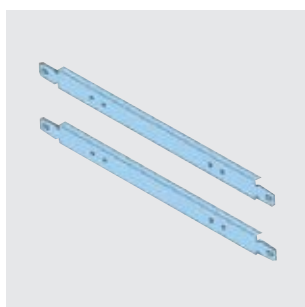


GW 49 168

PAIR OF LIFTING REINFORCEMENTS

Code	Suitable for	Pack Carton
GW 49 168	Side by side structures	1

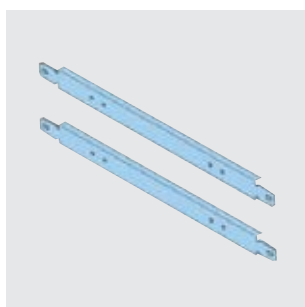
CROSSPIECES FOR ACCESSORIES



PAIR OF CROSSPIECES IN GALVANIZED MATERIAL

Code	Assembly position	For structures (mm)	Pack Carton
Distribution boards: non separated			
GW 49 737	2	D=600	1
GW 49 738	2	D=800	1
GW 49 733	1	D=600	1
GW 49 734	1	D=800	1
GW 49 748	2	D=400	1
Distribution boards: Separated			
GW 49 735	1	D=600	1
GW 49 736	1	D=800	1
Distribution boards: separated / non separated			
GW 49 731	3	L=600	1
GW 49 732	3	L=850	1

ACCESSORIES SUPPLIED: fixing accessories.



PAIR OF CROSSPIECES IN GALVANIZED MATERIAL FOR REINFORCEMENT

Code	Assembly position	For structures (mm)	Pack Carton
Distribution boards: separated / non separated			
GW 49 745	4	D=400	1
GW 49 746	4	D=600	1
GW 49 747	4	D=800	1

ACCESSORIES SUPPLIED: fixing accessories.

NOTE: mounting crosspieces on the base/head.

47 BUSBAR

Distribution systems for distribution boards

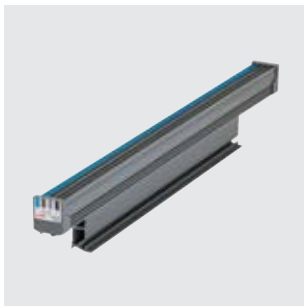
The 47 BUSBAR range, in addition to flat and shaped bar distribution systems, consists of three different quick wiring divider systems (GWFIX 100 quick divider up to 100 A, GWFIX 250 quick divider up to 250 A and GWFIX 400 quick divider up to 400 A) that allow to minimize labour time.



Technical characteristics page 339

GWFIX QUICK DIVIDER SYSTEMS

GWFIX 100 - QUICK DIVIDER 100A FOR MODULAR DEVICES



GW 49 768

GWFIX 100 - BAR FRAMES 100A FOR QUICK COUPLING CONNECTIONS FOR THE POWER SUPPLIES OF MODULAR DEVICES

Code	No. of modules EN 50022	Pack Carton
Busbars: 100 A 2P (L1/Neutral)		
GW 49 762	12	1/6
GW 49 763	18	1/6
GW 49 764	24	1/6
Busbars: 100 A 4P		
GW 49 766	12	1/6
GW 49 767	18	1/6
GW 49 768	24	1/6
GW 49 769	36	1/6

CHARACTERISTICS: fixed quick connection on the rear of the double DIN rail.

NOTE: possibility to combine two 12-module bars on a single 24-module DIN rail.



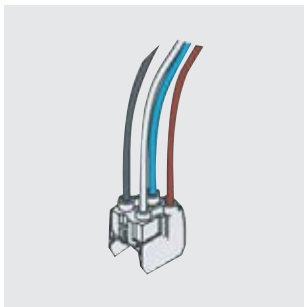
GW 49 776

GWFIX 100 - QUICK COUPLING CONNECTIONS DEVICES

Code	Description	Type	Colour	Suitable for	Pack Carton
Rated current: 40 A					
GW 49 776	N. 10 connections	L1/Neutral	Brown	MTC (1P+N/2P)	1/6
GW 49 777	N. 10 connections	L2/Neutral	Grey	MTC (1P+N/2P)	1/6
GW 49 778	N. 10 connections	L3/Neutral	Black	MTC (1P+N/2P)	1/6
GW 49 779	N. 10 connections	L1/L2/L3/Neutral	White	MTC (3P/4P)	1/6
Rated current: 63 A					
GW 49 780	N. 10 connections	L1	Brown	MDC MT SD SE	1/6
GW 49 781	N. 10 connections	L2	Grey	MDC MT SD SE	1/6
GW 49 782	N. 10 connections	L3	Black	MDC MT SD SE	1/6
GW 49 783	N. 10 connections	Neutral	Blue	MDC MT SD SE	1/6

NOTE: GW49779 connection also suitable for MTC 3P, thanks to the pre-breaking of the neutral.

SE= switch-disconnector.

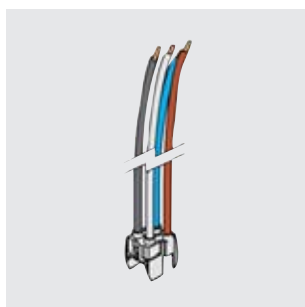


GW 49 775

GWFIX 100 - QUICK COUPLING CONNECTIONS WITH CABLE FOR MODULAR DEVICES

Code	Description	Type	Suitable for	Modules	Pack Carton
Rated current: 16 A					
GW 49 770	Connection with cable	L1/Neutral	90 AM Range	2	1/6
GW 49 771	Connection with cable	L1/L2/L3	90 AM Range	2	1/6
GW 49 772	Connection with cable	L1/L2/L3/Neutral	90 AM Range	2	1/6
Rated current: 40 A					
GW 49 773	Connection with cable	L1/Neutral	90 AM Range MTHP SD SE	2	1/6
GW 49 774	Connection with cable	L1/L2/L3	90 AM Range MTHP SE	2	1/6
GW 49 775	Connection with cable	L1/L2/L3/Neutral	90 AM Range MTHP SD SE	2	1/6

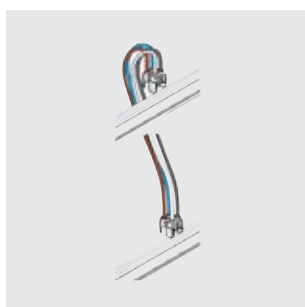
NOTE: SE= switch-disconnector.



GW 49 784

GWFIX 100 - 4P FEEDER WITH CABLE FOR CONNECTION OF MAIN CIRCUIT BREAKER AND BAR FRAME

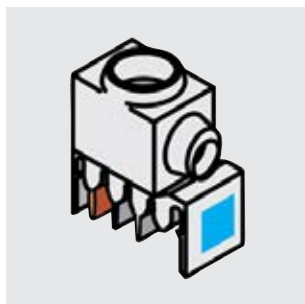
Code	Description	Modules	Pack Carton
GW 49 784	L=350 mm	2	1/6



GW 49 788

GWFIX 100 - 4P POWER SUPPLY PARALLEL MODULES WITH CABLE FOR CONNECTION OF TWO BAR FRAMES

Code	Description	Modules	Pack Carton
GW 49 788	L=400 mm	2	1/6
GW 49 789	L=600 mm	2	1/6

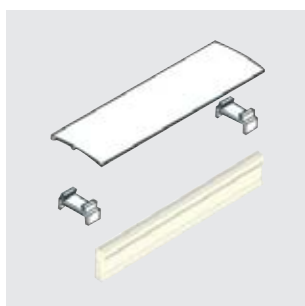


GW 49 795

GWFIX 100 - 1P POWER SUPPLY MODULES WITHOUT CABLE

Code	Description	Type	Modules	Pack Carton
GW 49 792	10 clamps (35mm ²)	L1 - Brown	1	1/6
GW 49 793	10 clamps (35mm ²)	L2 - Grey	1	1/6
GW 49 794	10 clamps (35mm ²)	L3 - Black	1	1/6
GW 49 795	10 clamps (35mm ²)	Neutral - Blue	1	1/6

CHARACTERISTICS: the single-pole power supply modules are terminals without cable, to plug-in on bar frame, that allow the connection of main circuit breaker with bar frame when the width L>350mm or the connection of two bar frames when width L>600mm or the connection of modular devices when In>63A.



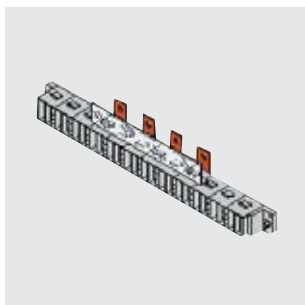
GW 49 797

GWFIX 100 - ACCESSORIES

Code	Description	Pack Carton
GW 49 797	N. 10 bar cover - 24 mod.	1
GW 49 798	N. 2 bar cover - 36 mod.	1/6

47 BUSBAR

GWFIX 250 - QUICK DIVIDER 250 A FOR MODULAR DEVICES



GW 47 201

GWFIX 250 - 250 A DIVIDER EQUIPPED WITH CONDUCTOR WITH QUICK-COUPLING TERM FOR MODULAR DEVICE POWER SUPPLY

Code	Max derived current	No. outputs	Modules	For distribution boards	Pack Carton
GW 47 201	63 A	12 (4P) / 24 (2P)	24	CVX 160 E	1/5
GW 47 202	63 A	12 (4P) / 24 (2P)	24	CVX 1600	1/5
GW 47 204	63 A	18 (4P) / 36 (2P)	36	CVX 1600	1/5
GW 47 206	63 A	12 (4P) / 24 (2P)	24	CVX 630K / CVX 630M	1
GW 47 207	63 A	18 (4P) / 36 (2P)	36	CVX 630K / CVX 630M	1

ACCESSORIES SUPPLIED: conductors with terminal for quick coupling: length 120mm, nominal section 6mm², rated current In=40A, type H07 VK.

width 24 modules: 12 black conductors, 6 blue conductors; width 36 modules: 18 black conductors, 12 blue conductors.

CHARACTERISTICS: suitable for installation between panels with windows, 200mm pitch.



GW 47 215

GWFIX 250 - QUICK COUPLING TERMINAL FOR FLEXIBLE CABLE

Code	Suitable for	Pack Carton
GW 47 215	cables 1.5 - 2.5 mm ²	10/100
GW 47 220	cables 4 - 6 mm ²	10/100

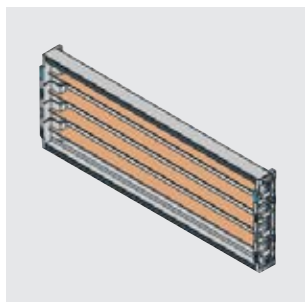


GWFIX 250 - H 07 VK TYPE CONDUCTORS WITH QUICK COUPLING TERMINAL

Code	Section (mm ²)	Colour	Length (mm)	Pack Carton
Rated current: 40 A				
GW 47 211	6	Black	120	10/100
GW 47 213	6	Black	500	10/100
GW 47 226	6	Blue	120	10/100
GW 47 228	6	Blue	500	10/100
Rated current: 63 A				
GW 47 231	10	Black	120	10/100
GW 47 233	10	Black	500	10/100
GW 47 246	10	Blue	120	10/100
GW 47 248	10	Blue	500	10/100

NOTES: length= 120 mm crimped terminal. Length= 500 mm terminal without stripping.

GWFIX 400 - QUICK DIVIDER FOR MODULAR AND MOULDED CASE DEVICES

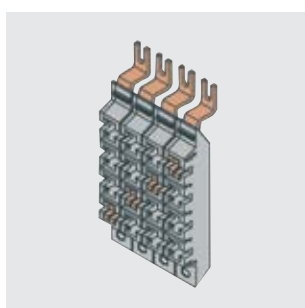


GW 49 601

GWFIX 400 - FOUR-POLE 400A FRAMES TO FIX CONNECTION DEDICATED BASE MODULES OF MODULAR AND MOULDED-CASE DEVICES UP TO 250A

Code	Description	Section busbars (mm)	Modules	Pack Carton
GW 49 601	Frame with bars	25x5	24	1
GW 49 602	Frame with bars	25x5	36	1

NOTES: allows power supply of up to 400 A with special power supply module and installation of devices by means of the relevant standard modules.



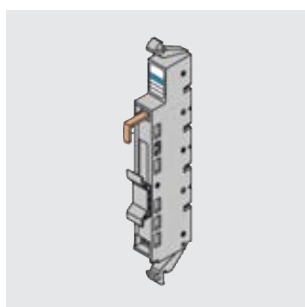
GW 49 603

GWFIX 400 - POWER SUPPLY MODULE

Code	Description	Pack Carton
GW 49 603	Module 4P 400A	1

NOTES: connection by pliers for input of four-pole framework from shaped or flat bar system.

The power supplier module also allows the direct connection of the GWFIX 400 system to the bar system located on the bottom of the distribution board.



GW 49 627

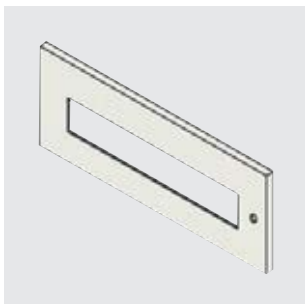
GWFIX 400 - BASE MODULES FOR MODULAR AND MOULD-CASE DEVICES

Code	Description	Suitable for	Pack Carton
Rated current (A): 100			
GW 49 627	L1 high with cable	MTHP - SE	1/12
GW 49 628	L2 high with cable	MTHP - SE	1/12
GW 49 629	L3 high with cable	MTHP - SE	1/12
GW 49 630	N high with cable	MTHP - SE	1/12
Rated current (A): 160			
GW 49 151	L1 high - L2 low	MTX/M 160c	1/12
GW 49 152	L2 high - L1 low	MTX/M 160c	1/12
GW 49 153	L3 high - N low	MTX/M 160c	1/12
GW 49 154	N high - L3 low	MTX/M 160c	1/12
GW 49 156	L1 high - L2 low	MTX/E 160	1/12
GW 49 157	L2 high - L1 low	MTX/E 160	1/12
GW 49 158	L3 high - N low	MTX/E 160	1/12
GW 49 159	N high - L3 low	MTX/E 160	1/12
Rated current (A): 250			
GW 49 171	L1 high	MTX/M 250	1/12
GW 49 172	L2 high	MTX/M 250	1/12
GW 49 173	L3 high	MTX/M 250	1/12
GW 49 174	N high	MTX/M 250	1/12
GW 49 175	L1 low	MTX/M 250	1/12
GW 49 176	L2 low	MTX/M 250	1/12
GW 49 177	L3 low	MTX/M 250	1/12
GW 49 178	N low	MTX/M 250	1/12

NOTES: clamp assembly on the four-pole frame busbar. For codes GW49151 to GW49159, the power supply make arrive both from the top or from the bottom. Turning the standard module on the 4-pole frame changes the power supply phase.

SE= switch-disconnector.

47 BUSBAR

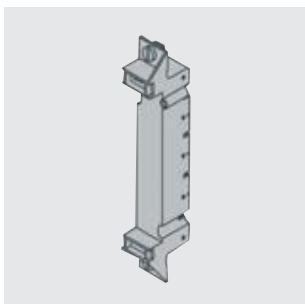


GW 45 381

GWFIX 400 - FRONT PANELS IN PAINTED SHEET WITH DIN PERFORATION

Code	Dimensions LxH (mm)	For distribution boards	Pack Carton
Modules: 24			
GW 45 381	600x300	CVX 630 M	1
GW 49 503	600x300	CVX 1600	1
Modules: 36			
GW 45 382	850x300	CVX 630 M	1
GW 49 507	850x300	CVX 1600	1

ACCESSORIES SUPPLIED: mounting accessories.

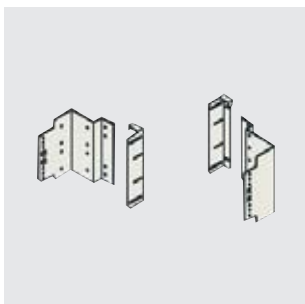


GW 49 643

GWFIX 400 - ACCESSORIES

Code	Description	Modules	Pack Carton
GW 49 643	Base Module false pole for BD		1/12
GW 49 644	N. 2 covers IP20	10	1/6
GW 49 646	N. 6 trunking supports		1/6
GW 49 155	False pole clip for MTX/M 160c motor control		1
GW 49 160	False pole clip for MTX/E 160 motor control		1
GW 49 179	False pole clip for BD of MTX/E/M 160c/160/250		1

NOTE: GW 49 179 not suitable for the BD 160c lowered add-on residual current device.



GW 49 650

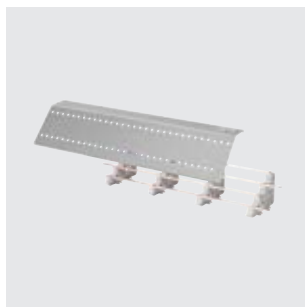
GWFIX 400 - PAIR OF FIXING SUPPORTS FOR FOUR-POLE 24 AND 36 MODULE FRAMES

Code	For distribution boards	Pack Carton
GW 45 539	CVX 630 M	1
GW 49 650	CVX 1600	1

ACCESSORIES SUPPLIED: fixing accessories.

DISTRIBUTION TERMINAL BLOCKS

HORIZONTAL DIVIDER



GW 45 541

HORIZONTAL FOUR-POLE DIVIDER 250 A WITH PRE-DRILLED THREADED M6 BUSBARS

Code	Dimensions (mm)	No. of modules EN 50022	Installation	Input connecting capacity	Output connecting capacity	Icw (1s)	Pack Carton
For distribution boards: CVX 630K/630M/1600							
GW 44 700	285x190x70	16	On profile EN 50022	1xM12	10xM6	17 kA	1
For distribution boards: CVX 1600							
GW 47 601	600x150x70	24	On functional profile	1xM8+2M6	21xM6	20 kA	1
GW 47 602	850x150x70	36	On functional profile	1xM8+2M6	32xM6	20 kA	1
For distribution boards: CVX 630K/630M							
GW 45 541	600x150x70	24	On functional profile	1xM8+2xM6	21xM6	20 kA	1
GW 45 543	850x150x70	36	On functional profile	1xM8+2xM6	32xM6	20 kA	1

CHARACTERISTICS: the connection capacity indicated is "per pole"; can also be fixed on the back-mounting plate.

ACCESSORIES SUPPLIED: fixing brackets on functional profile. Complete with protection shield and bolts and screws for cable input and output connections.

NOTES: usable with front panel of a height greater than, or equal to, 200mm.



GW 45 542

HORIZONTAL, 4-POLE DISTRIBUTING FRAME UP TO 400A WITH PERFORATED, THREADED BUSBARS M6

Code	Dimensions (mm)	No. of modules EN 50022	Installation	Input connecting capacity	Output connecting capacity	Icw (1s)	Pack Carton
For distribution boards: CVX 630K/630M							
GW 45 542	600x150x70	24	On functional profile	1xM8+2xM6	21xM6	20 kA	1
GW 45 544	850x150x70	36	On functional profile	1xM8+2xM6	32xM6	20 kA	1

CHARACTERISTICS: the connection capacity indicated is "per pole"; possibility of fixing on back-mounting plate too;

ACCESSORIES SUPPLIED: fixing brackets on functional profile. Complete with protection shield and bolts and screws for cable input and output connections.

NOTES: usable with front panel of a height greater than, or equal to, 200mm.

47 BUSBAR

MODULAR DIVIDERS



GW 44 651

SINGLE-POLE MODULAR DISTRIBUTION TERMINAL BLOCK - FIXING ON PLATE OR DIN RAIL - IP20

Code	Outer dim. LxHxD (mm)	No. of modules EN 50022	Input connecting capacity	Output connecting capacity	Icw (1s)	Pack Carton
Rated current (A): 160						
GW 44 651	35x92x49	2	1x(10-70) mm ²	6x(2.5-16) mm ²	10 kA	1/5

CHARACTERISTICS: terminal tightening torque: input cable 4 Nm, output cables 1.5 Nm.

APPLICATIONS: possibility to create 1, 2, 3 and 4-pole distributing frames.



GW 44 652

RIGID JUMPER KIT AND CAP FOR ONE-POLE TERMINAL BLOCK GW44651

Code	Description	Pack Carton
GW 44 652	Jumper kit	1/25



GW 44 693

TWO-POLE DISTRIBUTION TERMINAL BLOCKS WITH TRANSPARENT PROTECTION COVER FIXING ON PLATE OR DIN RAIL EN 50022 - 750V - T 85°C

Code	Outer dim. LxHxD (mm)	No. of modules EN 50022	Input connecting capacity	Output connecting capacity	Icw (1s)	Pack Carton
Rated current (A): 100						
GW 44 691	70x49x50	4	1x(6-35) mm ²	[1x(4-25) + 5x(1.5-10)] mm ²	6 kA	2/36
Rated current (A): 125						
GW 44 693	141x49x50	8	1x(6-35) mm ²	[2x(4-25) + 2x(4-16) + 10x(1.5-10)] mm ²	6 kA	1/12

CHARACTERISTICS: the indicated connection capacity is "per pole" and refers to the fitting of cables with "test prods".



GW 44 699

FOUR-POLE DISTRIBUTION TERMINAL BLOCKS WITH TRANSPARENT PROTECTION COVER. FIXING ON PLATE OR DIN RAIL EN 50022 - 750V - T 85°C

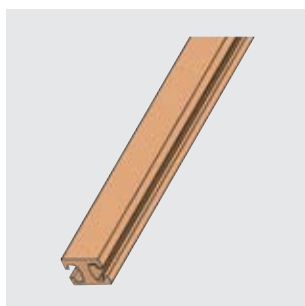
Code	Outer dim. LxHxD (mm)	No. of modules EN 50022	Input connecting capacity	Output connecting capacity	Icw (1s)	Pack Carton
Rated current (A): 100						
GW 44 696	70x88.5x50	4	1x(6-35) mm ²	[1x(4-25) + 5x(1.5-10)] mm ²	6 kA	2/16
Rated current (A): 125						
GW 44 698	141x88.5x50	8	1x(6-35) mm ²	[2x(4-25) + 2x(4-16) + 10x(1.5-10)] mm ²	6 kA	1/9
Rated current (A): 160						
GW 44 699	185x75x135	10	1x(16-50) mm ²	[2x(10-35) + 2x(6-25) + 8x(4-16)] mm ²	10 kA	1/12

CHARACTERISTICS: terminal tightening torque: input cables 4 Nm, output cables 1.5 Nm.

the indicated connection capacity is "per pole" and refers to the fitting of cables with "test prods".

SHAPED, CONTINUOUS PROFILE BUSBAR DISTRIBUTION SYSTEMS

SHAPED BUSBAR

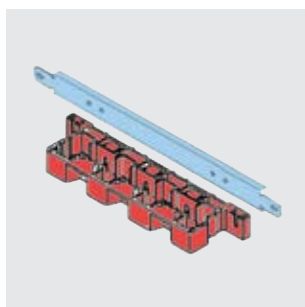


GW 49 651

ELECTROLYTIC COPPER SHAPED BUSBARS

Code	Rated current	Length (mm)	Quantity	For distribution boards	Pack Carton
GW 49 651	400 A	1730	1	CVX 630M/1600	1
GW 49 652	800 A	1730	1	CVX 630M/1600	1
GW 49 653	1250 A	1730	1	CVX 1600	1
GW 49 654	1600 A	1730	1	CVX 1600	1

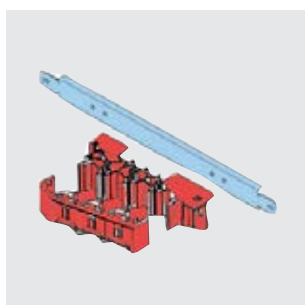
BUSBAR HOLDERS FOR SHAPED BUSBARS



GW 45 577

PAIR OF LINEAR BUSBAR-HOLDERS 400 - 800A - COMPLETE WITH CROSSPIECES FOR SYSTEM WITH VERTICAL, SHAPED BUSBARS FOR CVX 630M DISTRIBUTION BOARDS

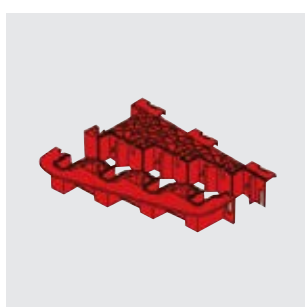
Code	Rated current	Max Icw (kA)	Quantity	Section busbars (mm)	Installation	For distribution boards	Pack Carton
GW 45 577	400-800 A	35	2	20x20	On structure base L=600	CVX 630 M	1
GW 45 578	400-800 A	35	2	20x20	On structure base L=850	CVX 630 M	1
GW 45 579	400-800 A	35	2	20x20	Structure L=600 (GWFIX 400)	CVX 630 M	1
GW 45 580	400-800 A	35	2	20x20	Structure L=850 (GWFIX 400)	CVX 630 M	1



GW 45 576

PAIR OF GRADUATED BUSBAR-HOLDERS 400 - 800A - COMPLETE WITH CROSSPIECES FOR SYSTEM WITH VERTICAL, SHAPED BUSBARS FOR CVX 630M DISTRIBUTION BOARDS

Code	Rated current	Max Icw (kA)	Quantity	Section busbars (mm)	Installation	For distribution boards	Pack Carton
GW 45 575	400-800 A	35	2	20x20	On base of int. compartment	CVX 630 M	1
GW 45 576	400-800 A	35	2	20x20	On base of ext. compartment	CVX 630 M	1



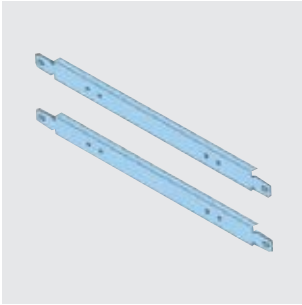
GW 49 656

LINEAR AND GRADUATED BUSBAR-HOLDERS 800 - 1600 A FOR SYSTEMS WITH SHAPED PROFILE BUSBARS FOR CVX 1600 DISTRIBUTION BOARDS

Code	Rated current	Max Icw (kA)	Quantity	Section busbars (mm)	For distribution boards	Pack Carton
For busbar holder: Scalar						
GW 49 656	800 A	35	1	20x20	CVX 1600	1
GW 49 657	1600 A	75	1	60x20	CVX 1600	1
For busbar holder: Linear						
GW 49 658	800 A	35	1	20x20	CVX 1600	1
GW 49 659	1600 A	75	1	60x20	CVX 1600	1
GW 49 660	1600 A	65	1	60x20	CVX 1600	1

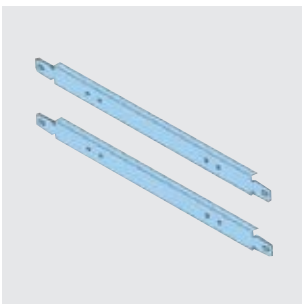
47 BUSBAR

CROSSPIECES FOR SHAPED BUSBAR SYSTEM FOR DISTRIBUTION BOARDS CVX 1600



PAIR OF SUPPORT CROSSPIECES FOR SHAPED VERTICAL BUSBARS SYSTEMS

Code	Assembly position	For structures (mm)	For busbar holder	Pack Carton
Busbars: Structure bottom				
GW 49 701	1	L=400	GW49656 - GW49658	1
GW 49 702	1	L=600	GW49658	1
GW 49 703	1	L=850	GW49658	1
GW 49 704	1	L=400	GW49657 - GW49659 - GW49660	1
GW 49 705	1	L=600	GW49659 - GW49660	1
GW 49 706	1	L=850	GW49659 - GW49660	1
Busbars: External compartment bottom				
GW 49 708	1	L=300	GW49656 - GW49657	1
Busbars: Int./Ext. compartment side				
GW 49 710	2	D=400	GW49656	1
GW 49 711	2	D=600	GW49660	1
GW 49 712	2	D=800	GW49657 - GW49659 - GW49660	1
Busbars: Structure side				
GW 49 713	2	D=600 Open frame	GW49660	1
GW 49 714	2	D=600 Closed frame	GW49660	1
GW 49 715	2	D=800 Open frame	GW49657 - GW49659 - GW49660	1
GW 49 716	2	D=800 Closed frame	GW49657 - GW49659 - GW49660	1
Busbars: Structure bottom with direct connection to GWFIX40				
GW 49 717	3	L=600	GW49658	1
GW 49 718	3	L=850	GW49658	1

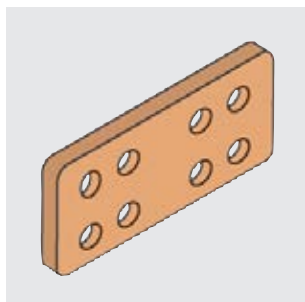


PAIR OF SUPPORT CROSSPIECES FOR SHAPED HORIZONTAL BUSBARS SYSTEMS

Code	Assembly position	For structures (mm)	For busbar holder	Pack Carton
Busbars: High/low structure or int./ext. compartment				
GW 49 711	2	D=600	GW49660	1
GW 49 720	3	D=800	GW49659 - GW49660	1
Busbars: Horizontal to every height structure				
GW 49 721	5/A	L=400	GW49659 - GW49660	1
GW 49 722	5/A	L=600	GW49659 - GW49660	1
GW 49 723	5/A	L=850	GW49659 - GW49660	1
GW 49 724	5/B	D=600	GW49660	1
GW 49 725	5/B	D=800	GW49659 - GW49660	1

NOTES: GW49721 - GW49722 - GW49723: structures with functional width 850mm with internal cable, use GW49722 + GW49723 or 2 crosspieces GW49722 in combination with the rear upright. For crosspieces choosing see the selection guide.

ACCESSORIES FOR SHAPED BUSBARS

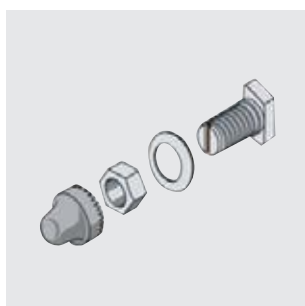


GW 49 666

COPPER JOINTS FOR SHAPED BUSBARS

Code	Description	For busbars	With	Pack Carton
GW 49 665	N. 4 joints	Shaped 400/800A	Shaped busbars 400/800/1250/1600A	1
GW 49 666	N. 4 joints	Shaped 1250/1600A	Shaped busbars 1250/1600A	1
GW 49 667	N. 4 joints	Shaped 1250/1600A	Flat bus-bar 2500/3200A	1
GW 49 668	N. 4 joints	Shaped 400/800A and 1250/1600A	Terminales	1

NOTES: the coupling elements are not supplied with screws. For the screws, choose code GW 49 647 or GW 49 648.
The article GW49668 consists of 4 cut-out coupling elements of 400A only suitable for terminals.



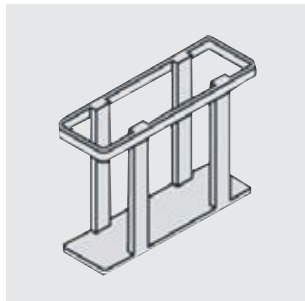
GW 49 647

M8 SEALING DRIVE-SCREWS FOR SHAPED BUSBARS

Code	Description	Length (mm)	Suitable for	Pack Carton
GW 49 591	N. 12 screws	20	Terminales	1
GW 49 647	N. 12 screws	27	Copper plates up to 10mm, and joints for bars	1
GW 49 648	N. 12 screws	37	Copper plates up to 20mm, and joints for bars	1

ACCESSORIES SUPPLIED: screw cap hoods.

APPLICATIONS: they allow fixing between conductors in any position along the bus-bars. The articles GW49647 and GW49648 allows copper coupling elements to be fixed between two busbars.

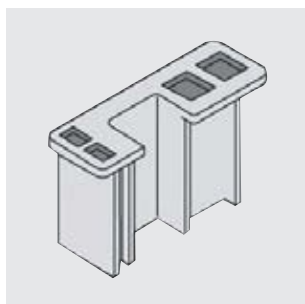


GW 49 674

SUPPORT BASES FOR SHAPED BUSBARS

Code	Description	For busbars	Pack Carton
GW 49 673	N. 4 support bases	400/800A	1
GW 49 674	N. 4 support bases	1250/1600A	1

APPLICATIONS: carrier support to be placed inside the bar-holder in the final position so as to hold the busbar up in a vertical position.



GW 49 675

SHAPED BUSBARS ADAPTOR

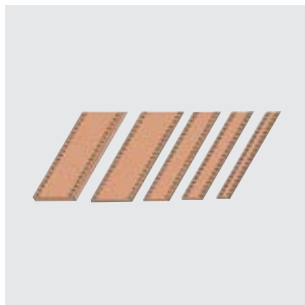
Code	Description	For busbars	For busbar holder	Pack Carton
GW 49 675	N. 4 adaptors	400/800A	GW49657 - GW49659 - GW49660	1

APPLICATIONS: if busbars of 400/800A are assembled on busbar holders designed for busbars of 1250/1600A.

47 BUSBAR

FLAT BUS-BAR DISTRIBUTION SYSTEMS

FLAT BUSBAR DISTRIBUTION SYSTEMS

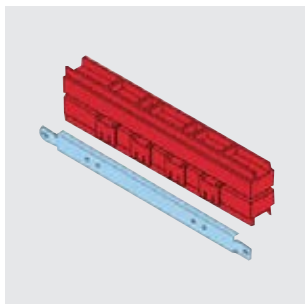


2 FLAT BUSBARS IN PRE-DRILLED ELECTROLYTIC COPPER

Code	Rated current	Section (mm ²)	Length (mm)	For distribution boards	Pack Carton
GW 45 551	250 A	20x5	1000	CVX 630K/630M	1
GW 45 552	400 A	25x6	1000	CVX 630K/630M	1
GW 45 553	400 A	30x5	1000	CVX 630K/630M	1
GW 45 554	630 A	30x10	1000	CVX 630K/630M	1
GW 45 555	250 A	20x5	1750	CVX 630K/630M	1
GW 45 556	400 A	25x6	1750	CVX 630K/630M	1
GW 45 557	400 A	30x5	1750	CVX 630K/630M	1
GW 45 558	630 A	30x10	1750	CVX 630K/630M	1
GW 47 637	400 A	32x5	1750	CVX 1600	1
GW 49 677	630 A	50x5	1750	CVX 1600	1
GW 49 678	800 A	63x5	1750	CVX 1600	1
GW 49 679	1250 A	100x5	1750	CVX 1600	1
GW 49 680	1600 A	100x10	1750	CVX 1600	1

NOTE: The CVX 630 K busbar are M6 drilled and threaded.

BUSBAR-HOLDER FOR FLAT BUSBARS



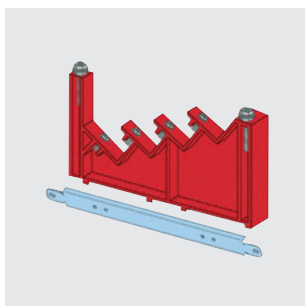
GW 45 563

PAIR OF LINEAR BUSBAR-HOLDERS 250 - 630A

COMPLETE WITH CROSSPIECES FOR SYSTEM WITH VERTICAL, FLAT BUSBAR FOR CVX 630 K DISTRIBUTION BOARDS

Code	Rated current	Section busbars (mm)	Max Icw (kA)	Installation	For distribution boards	Pack Carton
GW 45 563	250 - 400 - 630 A	20x5-30x5-30x10	35	On structure base L=600/850	CVX 630K	1

ACCESSORIES SUPPLIED: Crosspieces and fixing screw to the structure.



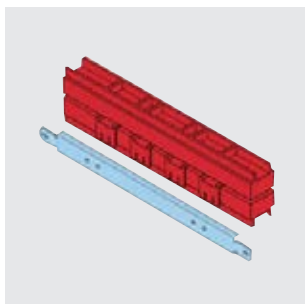
GW 45 562

PAIR OF GRADUATED BUSBAR-HOLDERS 250 - 630A

COMPLETE WITH CROSSPIECES FOR SYSTEM WITH VERTICAL, FLAT BUSBARS FOR CVX 630K AND CVX 630M DISTRIBUTION BOARDS

Code	Rated current	Section busbars (mm)	Max Icw (kA)	Installation	For distribution boards	Pack Carton
GW 45 561	250 - 400 A	20x5-25x6	20	On base of int. compartment	CVX 630K/M	1
GW 45 562	250 - 400 - 630 A	20x5-30x5-30x10	25	On base of ext. compartment	CVX 630K/M	1

ACCESSORIES SUPPLIED: Crosspieces and fixing screw to the structure.



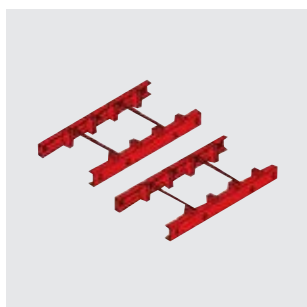
GW 45 573

PAIR OF LINEAR BUSBAR-HOLDERS 250 - 630A

COMPLETE WITH CROSSPIECES FO SYSTEM WITH VERTICAL, FLAT BUSBARS FOR CVX 630M DISTRIBUTION BOARDS

Code	Rated current	Section busbars (mm)	Max Icw (kA)	Installation	For distribution boards	Pack Carton
GW 45 573	250 - 400 - 630 A	20x5 - 30x5 - 30x10	35	On structure base L=600	CVX 630 M	1
GW 45 574	250 - 400 - 630 A	20x5 - 30x5 - 30x10	35	On structure base L=850	CVX 630 M	1

ACCESSORIES SUPPLIED: Crosspieces and fixing screw to the structure.



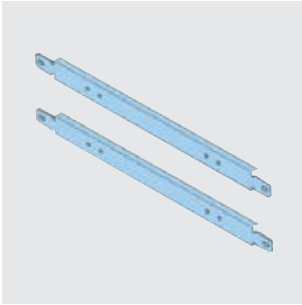
GW 49 670

PAIR OF BUSBAR-HOLDERS FOR FLAT BUSBAR FOR CVX 1600 DISTRIBUTION BOARDS

Code	Rated current	For busbars	N. bars for phase	For distribution boards	Pack Carton
GW 49 670	400-630-800-1250 A	Thickness 5 (mm)	1	CVX 1600	1
GW 49 671	1600 A	Thickness 10 (mm)	1	CVX 1600	1
GW 49 672	2500 A	Thickness 10 (mm)	2	CVX 1600	1
GW 49 676	3200 A	Thickness 10 (mm)	3	CVX 1600	1

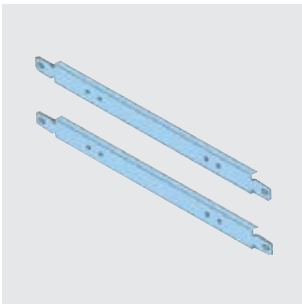
47 BUSBAR

CROSSPIECES FOR FLAT BUSBAR SYSTEM FOR DISTRIBUTION BOARDS CVX 1600



PAIR OF SUPPORT CROSSPIECES FOR VERTICAL FLAT BUSBARS

Code	Assembly position	For structures (mm)	For busbar holder	Pack Carton
Busbars: Int./Ext. compartment side				
GW 49 737	2	D=600	GW49670 - GW49671	1
GW 49 738	2	D=800	GW49670 - GW49671	1
Busbars: Structure side				
GW 49 733	2	D=600 Open frame	GW49670 - GW49671	1
GW 49 734	2	D=800 Open frame	GW49670 - GW49671 - GW49672 - GW49676	1
GW 49 735	2	D=600 Closed frame	GW49670 - GW49671	1
GW 49 736	2	D=800 Closed frame	GW49670 - GW49671	1
Busbars: Structure bottom				
GW 49 731	1	LxD=600x600/800	GW49670 - GW49671	1
GW 49 732	1	LxD=850x600/800	GW49670 - GW49671	1



PAIR OF SUPPORT CROSSPIECES FOR HORIZONTAL FLAT BUSBARS

Code	Assembly position	For structures (mm)	For busbar holder	Pack Carton
Busbars: High/low structure or int./ext. compartment				
GW 49 749	3	D=600	GW49670 - GW49671	1
GW 49 720	3	D=800	GW49659 - GW49660	1
Busbars: Horizontal to every height structure				
GW 49 741	4	D=600 Open frame	GW49670 - GW49671	1
GW 49 742	4	D=800 Open frame	GW49670 - GW49671	1
GW 49 743	4	D=600 Closed frame	GW49670 - GW49671	1
GW 49 744	4	D=800 Closed frame	GW49670 - GW49671	1
Busbars: Horizontal to every height int./ext. compartment				
GW 49 739	4	D=600	GW49670 - GW49671	1
GW 49 740	4	D=800	GW49670 - GW49671 - GW49672 - GW49676	1

FLEXIBLE STRAPS








FLEXIBLE BUS-BARS - LENGTH: 2 METRES PER PIECE

Code	Rated current	Quantity	Dimensions (mm)	Section (mm ²)	Pack Carton
GW 47 651	125 A	1	2x15.5x0.8	24,8	1
GW 47 652	250 A	2	3x20x1	60	1
GW 47 653	400 A	2	5x20x1	100	1
GW 47 654	630 A	2	5x32x1	160	1
GW 47 655	1000 A	2	8x40x1	320	1
GW 47 656	1250 A	2	10x50x1	500	1

CHARACTERISTICS: conductor in electrolytic copper with high resistance compound vinyl insulation (duty voltage 1000 V).
GW47654: only for switches with extended front or rear couplings.

GW 47 651

General characteristics

47 CVX RANGE					
					
	CVX 160I	CVX 160E	CVX 630K	CVX 630M	CVX 1600
Rated current In (A)	160	160	630	630	3200
Structure	monobloc (panels and DIN rails included)	monobloc	modular	monobloc	modular
Version	flush-mounting	wall-mounting	wall and floor-mounting	wall and floor-mounting	floor-mounting
External cable compartment			yes	yes	yes
Extractable frame	yes	yes			
Degree of protection (IP)	30-40	30-40-55-65	30-40-43	30-55	31-41-65
Front panels	plastic	plastic	metal	metal	metal
Functional height (mm)	600 - 800 - 1000	600 - 800 - 1000 1200	1000 - 1200 1600 - 1800 - 2000	1000 - 1200 1600 - 1800 - 2000	1800 - 2000
Functional width (mm)	600	600	400* - 600 - 850	400 - 600 - 850	400 - 600 - 850
Functional depth (mm)	105	140 - 170 - 200	230	280	400 - 600 - 800
Separation forms	1	1	1-2B	1-2B	1-2A-3A-3B-4B
Compatibility with BUSBAR systems:					
GWFIX 100	yes	yes	yes	yes	yes
GWFIX 250		yes	yes	yes	yes
GWFIX 400				yes	yes
Barre sagomate				yes	yes
Barre piate			yes	yes	yes

* Only available for the floor-mounting version

47 CVX 160i



Commercial information page 235

INSTALLATION WITHOUT SCREWS AND TOOLS



The fixing supports have been designed to be mounted without screws thanks to pre-holed on the function sides. Moreover the innovative support allows the fixing of the din rails on the brackets and their adjustments in depth without using any tools.

QUICK FIXING OF THE INSULATING PANELS



The front panels in plastic material allow the quick fixing by means of two inserts ¼ turn and the earthing connection is not necessary. For all range it is supplied a kit for the installation of the hinges on the front panels.

STRENGTH AND DESIGN



The fine design and the special curved glass of the door allow the installation of the distribution board also in elegant environments as well as in advanced tertiary sectors thanks to its sturdiness.

Technical data

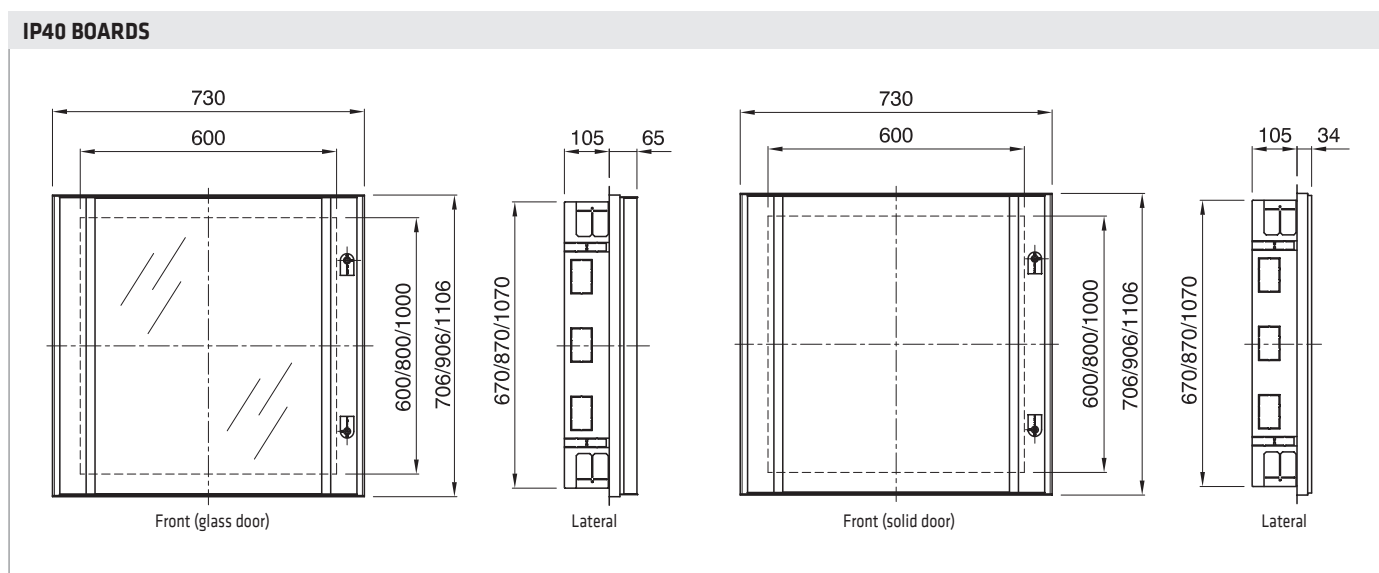
CVX 160i	
Electrical characteristics	Mechanical characteristics
Standards: EN 61439-1 and EN 61439-2, EN 62208, CEI 23-48, CEI 23-49	Degree of protection: IP 30 without door
Rated current (In): up to 160 A	IP40 with glass/blank door
Rated operational voltage (Ue): up to 500V AC	Impact resistance: IK 07 for glass door
Rated insulation voltage (Ui): up to 500V AC	IK 09 front panels in plastic material
Rated impulse withstand voltage (Uimp): 6 kV 1.2/50 μs	IK 10 for metal casing
Rated conditioned short-circuit current (Icc): 10 kA	Operating temperature: -5°C - 40°C
Rated peak withstand current (Ipk): 17 kA	Storage temperature: -25°C - 55°C
Rated short-time withstand current (Icw): 10 kA (1s)	Sheet steel casing: 10/10mm thick
Protection against indirect contact: metal casing prearranged for earth connection	Sheet steel door: 12/10mm thick
	Sheet metal painted with colour Grey RAL 7035 epoxy-polyester powder

FUNCTIONAL CHARACTERISTICS

Type of installation: indoors
 Capacity: 24 EN 50022 modules per row
 Extractable galvanised sheet metal frame with uprights with 25mm pitch perforation for the assembly of the equipment installation kits
 Flush-mounting depth d = 105mm for installation in plasterboard walls too, using the relevant bracket kit (GW 47197)

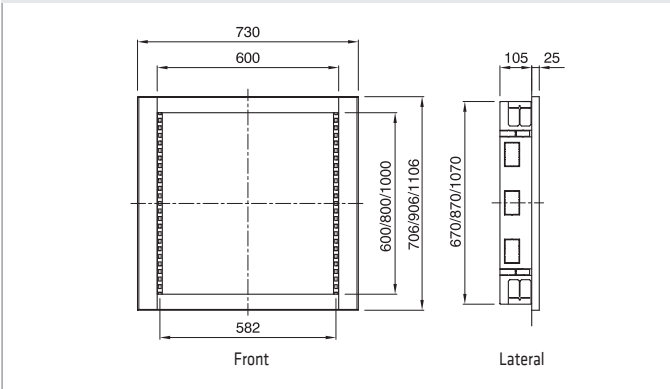
Door (except IP30 version) supplied disassembled, in a protective packaging
 Door assembly (except IP30 version) with reversible opening (right or left side)
 Pre-arrangement for safety lock with key
 Front panel in insulating material (RAL 7035 grey) with quick coupling with ergonomic grip
 Casing with wall-fixing brackets and knockouts on all sides for cable entry

Dimension tables

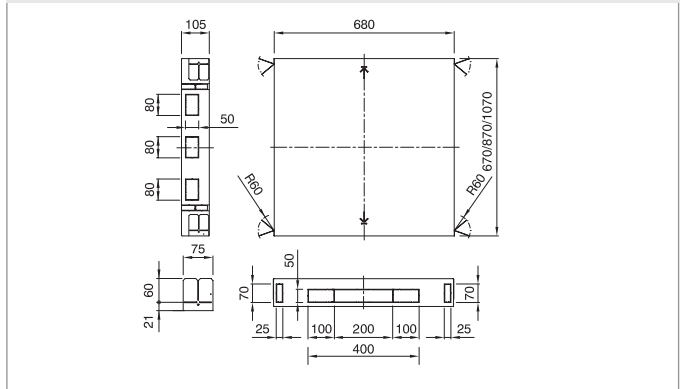


For technical information contact the Technical Assistance Service or visit gewiss.com

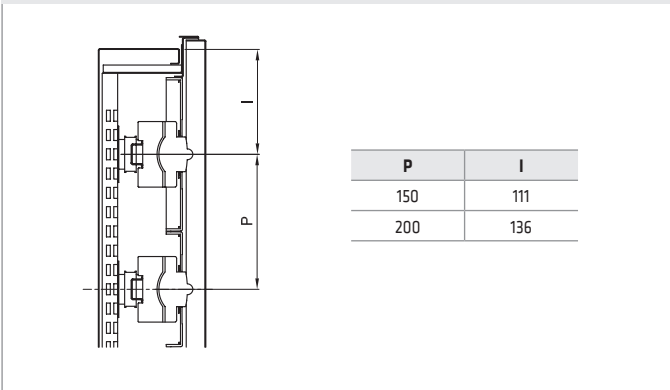
IP30 BOARDS



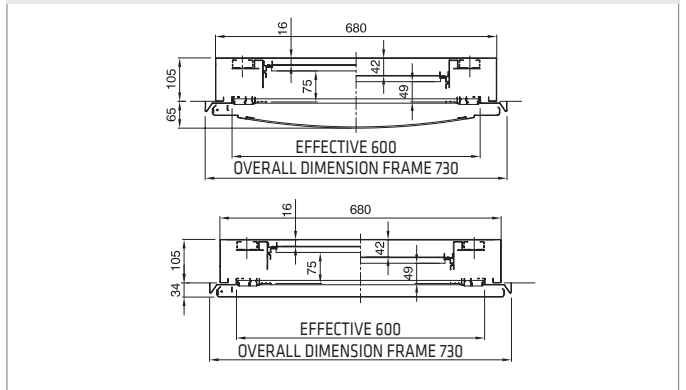
CASING DIMENSIONS



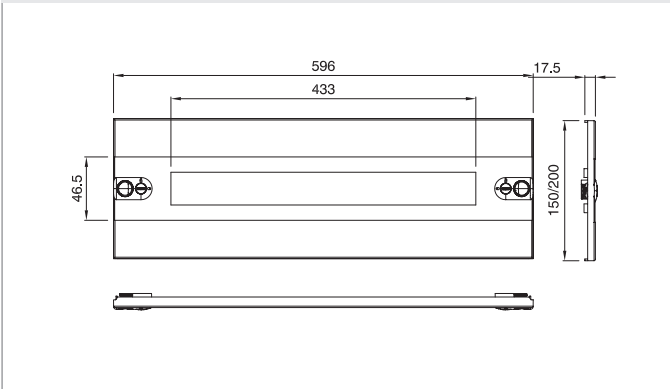
BELOW/UPPER OVERALL DIMENSIONS DEPENDING ON PITCH



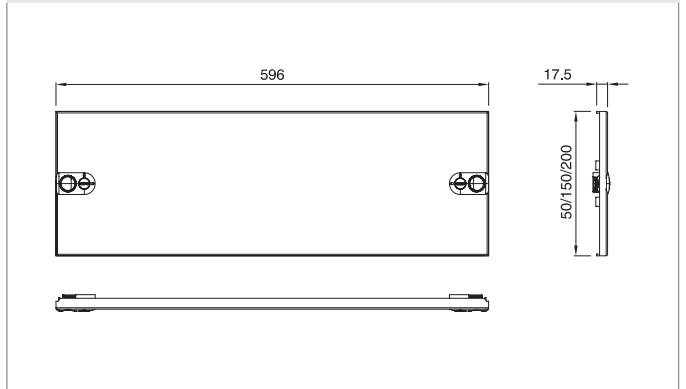
RAIL ADJUSTMENT



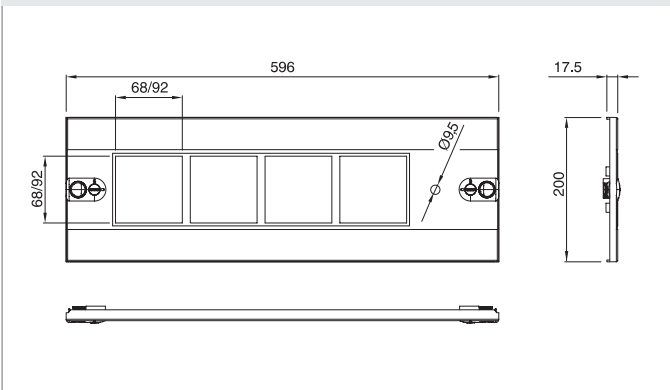
PANELS WITH WINDOWS



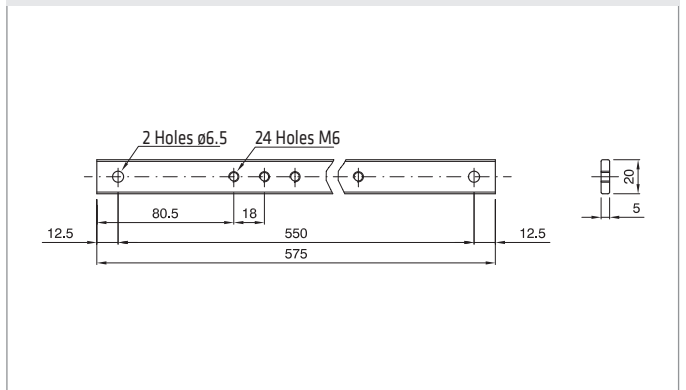
SOLID PANELS



INSTRUMENT PANELS



EARTHING BUSBAR



47 CVX 160 E



Commercial information page 241

INSTALLATION WITHOUT SCREWS AND TOOLS



The fixing supports have been designed to be mounted without screws thanks to pre-holed on the function sides. Moreover the innovative support allows the fixing of the din rails on the brackets and their adjustments in depth without using any tools.

QUICK FIXING OF THE INSULATING PANELS



The front panels in plastic material allow the quick fixing by means of two inserts ¼ turn and the earthing connection is not necessary. For all range it is supplied a kit for the installation of the hinges on the front panels.

STRENGTH AND DESIGN



The fine design and the special curved glass of the door allow the installation of the distribution board also in elegant environments as well as in advanced tertiary sectors thanks to its sturdiness.

Technical data

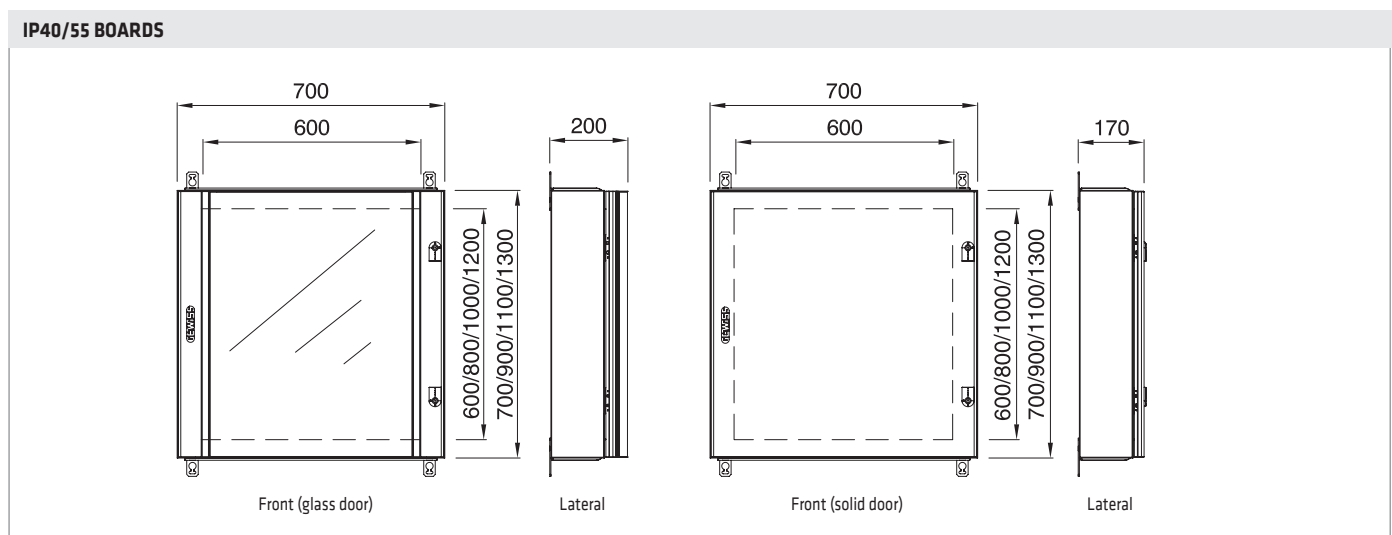
CVX 160E	
Electrical characteristics	Mechanical characteristics
Standards: EN 61439-1 and EN 61439-2, EN 62208, CEI 23-48, CEI 23-49	Degree of protection: IP 30 without door
Rated current (In): up to 160 A	IP40 with glass/blank door
Rated operational voltage (Ue): up to 500V AC	IP55 with glass/blank door
Rated insulation voltage (Ui): up to 500V AC	IP 65 with blank door
Rated impulse withstand voltage (Uimp): 6 kV 1.2/50 µs	Impact resistance: IK 07 for glass door
Rated conditioned short-circuit current (Icc): 10 kA	IK 09 front panels in plastic material
Rated peak withstand current (Ipk): 17 kA	IK 10 for metal casing
Rated short-time withstand current (Icw): 10 kA (1s)	Operating temperature: -5°C - 40°C
Protection against indirect contact: metal casing prearranged for earth connection	Storage temperature: -25°C - 55°C
	Sheet steel casing: 10/10mm thick
	Sheet steel door: 12/10mm thick
	Back-mounting plates in hot galvanised sheet metal: 15/10mm thick
	Sheet metal painted with colour Grey RAL 7035 epoxy-polyester powder

FUNCTIONAL CHARACTERISTICS

Type of installation: indoors
 Capacity: 24 EN 50022 modules per row
 Cable gland plate (except IP65 version) in insulating material, colour Blue RAL 5003
 Extractable galvanised sheet metal frame with 25mm pitch perforation for assembling the device installation kits

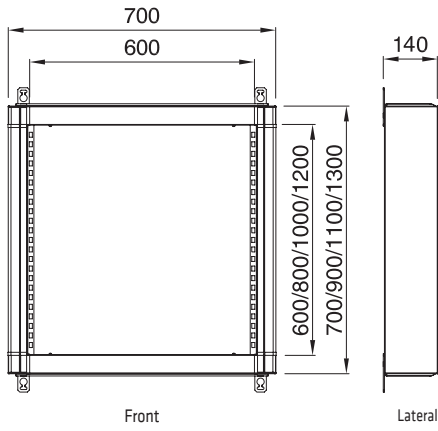
Door (except IP30 version) supplied disassembled, in a protective packaging
 Door assembly (except IP30 version) with reversible opening (right or left side).
 Pre-arrangement for safety lock with key.

Dimension tables

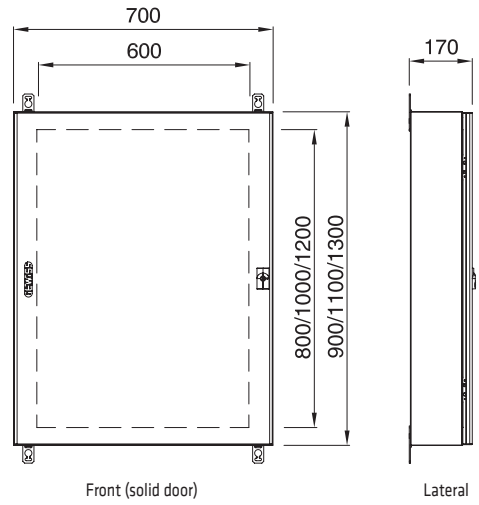


For technical information contact the Technical Assistance Service or visit [gewiss.com](http://www.gewiss.com)

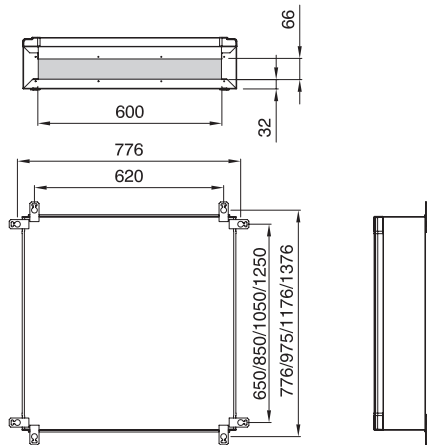
IP30 BOARDS



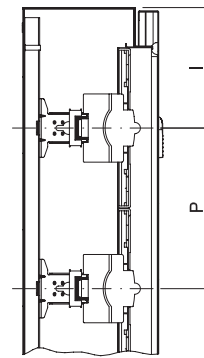
IP65 BOARDS



CABLE ENTRY (EXCLUDING IP65 VERSION) AND FIXING CENTRE DISTANCE

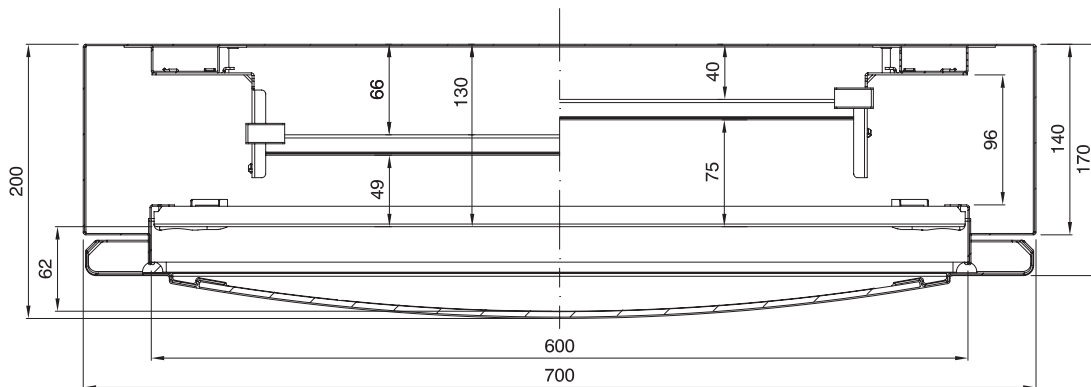


BELOW/UPPER OVERALL DIMENSIONS DEPENDING ON PITCH P



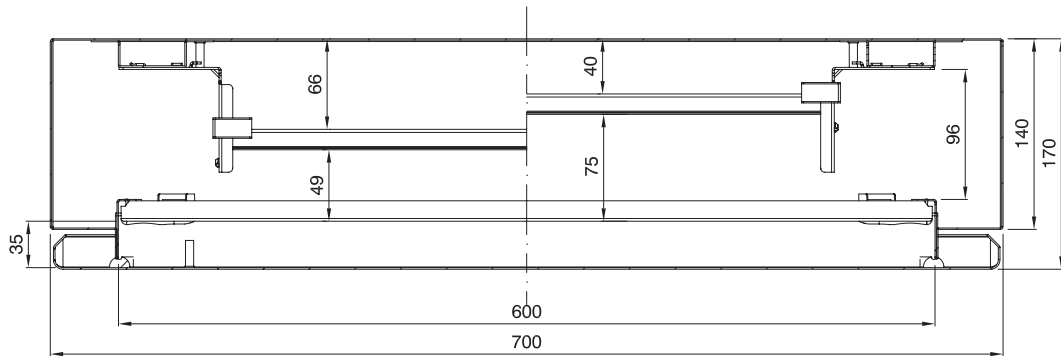
P	I
150	125
200	150

RAIL ADJUSTMENT (GLASS DOOR)

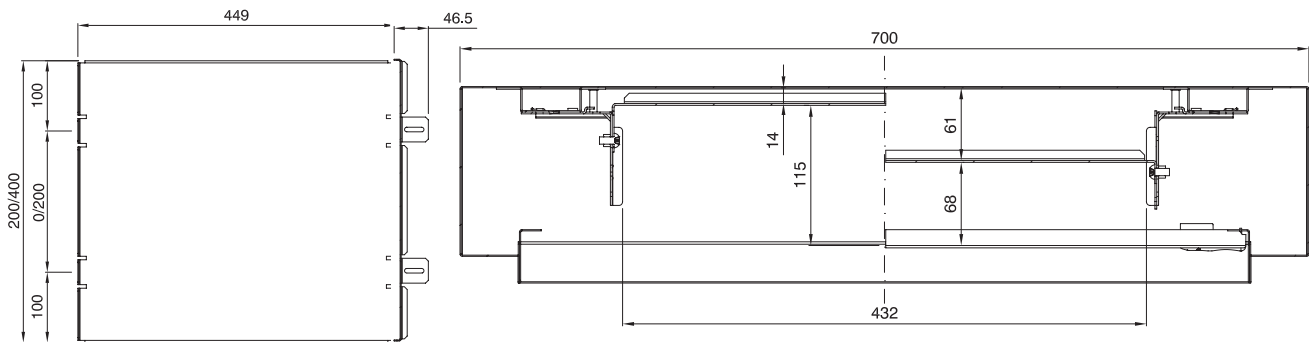


47 CVX 160 E

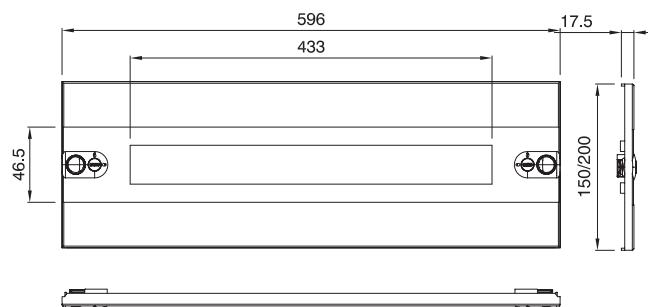
RAIL ADJUSTMENT (SOLID DOOR)



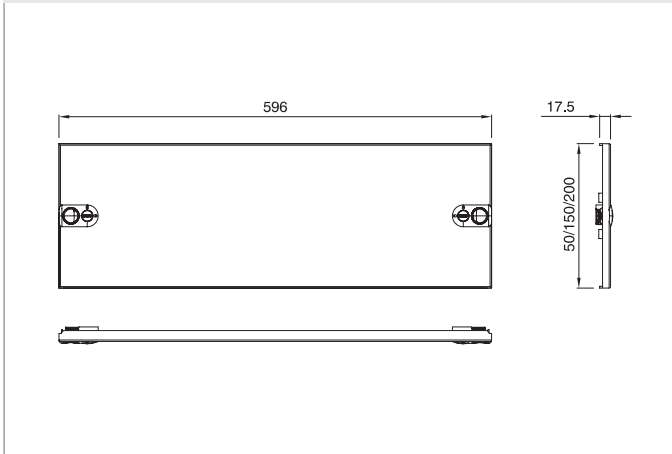
BACK-MOUNTING PLATE AND ADJUSTMENT



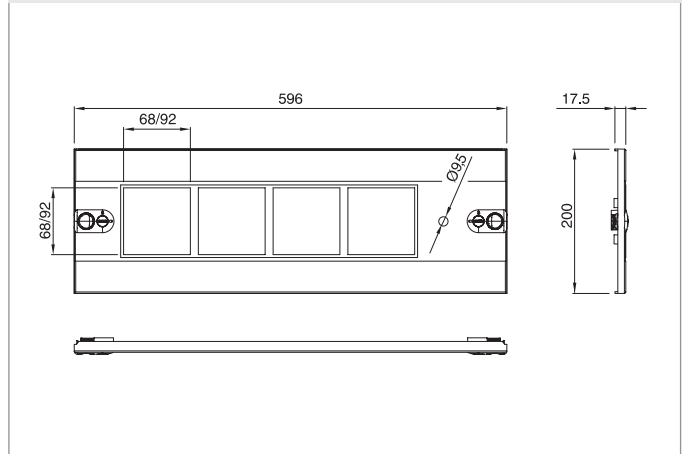
PANELS WITH WINDOWS



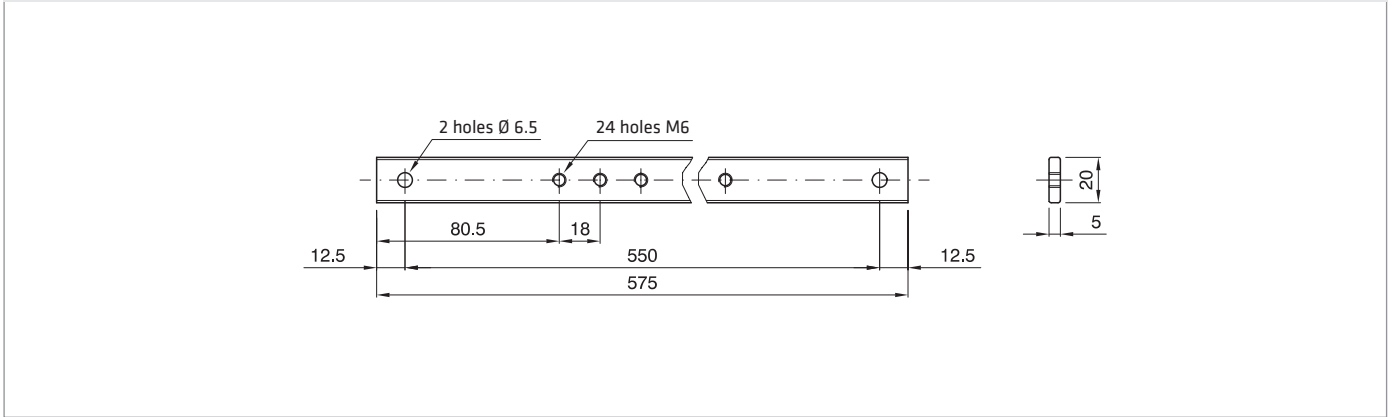
SOLID PANELS



INSTRUMENT PANELS



EARTHING BUSBAR



47 CVX 630 K



Commercial information page 251

QUICK AND EASY MOUNTING



The bracket for the kit of installation of the modular devices is mounted on functional frame without the use of screws or tools and ensures high resistance and greater mechanical stability over the time.

SIMPLE INSTALLATION AND COMFORTABLE MAINTENANCE



All metal components of distribution board ensure the earthing by contact thus avoiding additional connections. All front panels are supplied with unlosable screws and can be fitted with hinges in order to facilitate the maintenance operations after the installation of distribution board.

STRENGTH AND DESIGN



The fine design and the special curved glass of the door allow the installation of the distribution board also in elegant environments as well as in advanced tertiary sectors thanks to its sturdiness.

Technical data

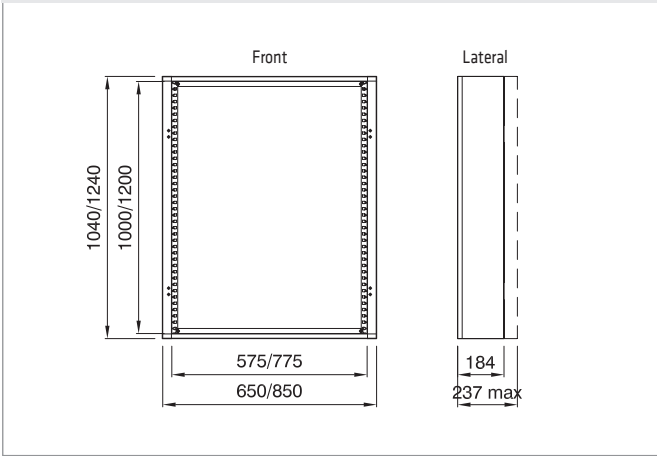
CVX 630K	
Electrical characteristics	Mechanical characteristics
Standards: EN 61439-1 and EN 61439-2, EN 62208	Degree of protection: IP 30 without door
Rated current (In): up to 630 A	IP40 with glass/blank door
Rated operational voltage (Ue): up to 690V AC	IP43 with glass/blank door and IP43 kit
Rated insulation voltage (Ui): up to 1000V AC	Impact resistance: IK 07 for glass door
Rated impulse withstand voltage (Uimp): 8 kV 1.2/50 μs	IK 10 for metal casing and front panels
Rated conditioned short-circuit current (Icc): 36 kA	Operating temperature: -5°C - 40°C
Rated peak withstand current (Ipk): 73 kA	Storage temperature: -25°C - 55°C
Rated short-time withstand current (Icw): 35 kA (1s)	Sheet steel casing and functional uprights: 15/10mm thick
Protection against indirect contact: metal casing prearranged for earth connection	Sheet steel panels: 12/10mm thick
	Sheet steel door: 15/10mm thick
	Back-mounting plates and kit for MCCB plates in hot galvanised sheet metal: 20/10mm thick
	Sheet metal painted with colour Grey RAL 7035 epoxy-polyester powder

FUNCTIONAL CHARACTERISTICS

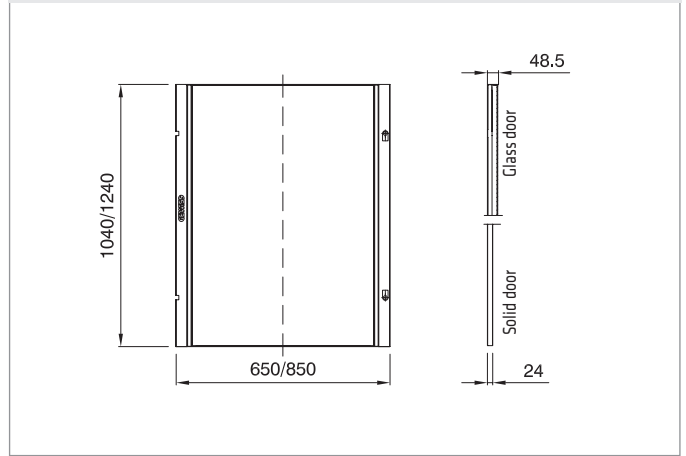
Type of installation: indoors	Base (height 100mm) palletizable by removing the front and rear panels
Capacity: 24/36 EN 50022 modules per row	Structures can be lined up using the provided kit
Top and bottom cable entry through metal cable gland plates	Structure can be wall-mounted using brackets
Internal functional uprights with 25mm pitch drilled for the assembly of the equipment installation kits	Earthing by contact of metal parts
Pre-arrangement for assembly of internal compartment in board at width 850mm	Door assembly with reversible opening (right or left side)

Dimension tables

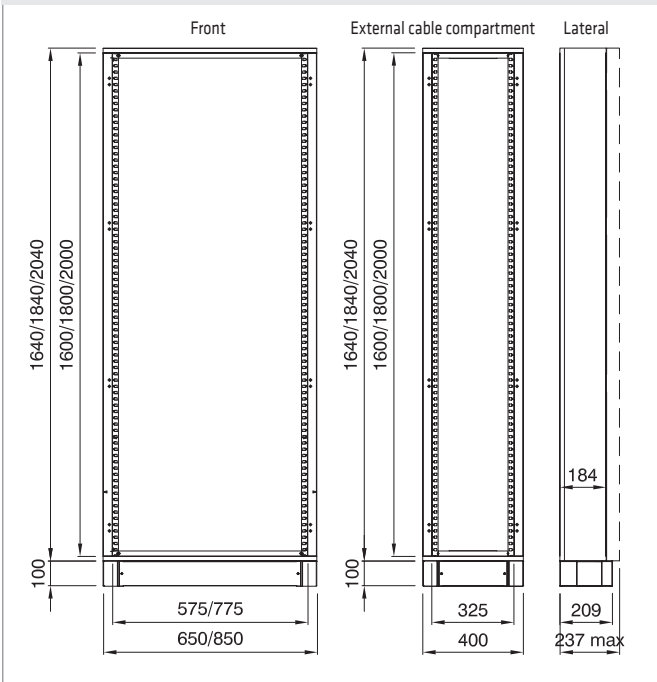
STRUCTURE OF SURFACE-MOUNTING BOARD



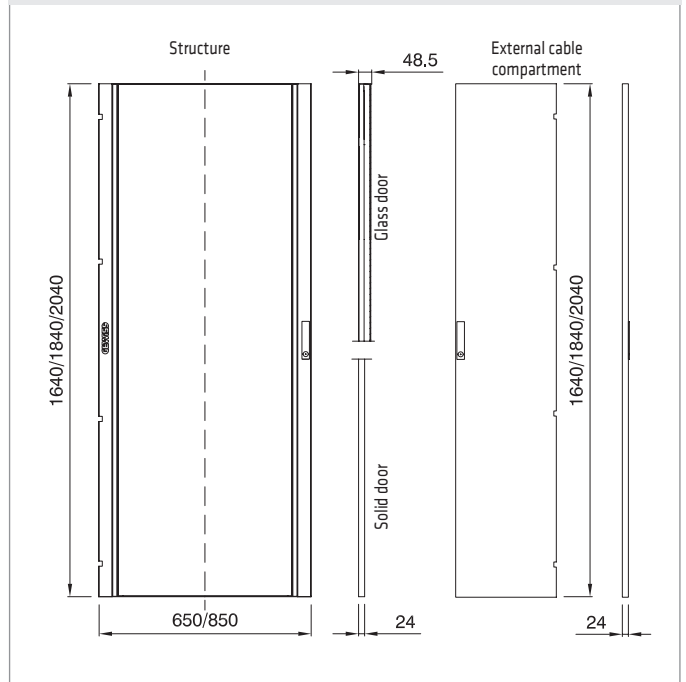
DOORS FOR SURFACE-MOUNTING BOARD



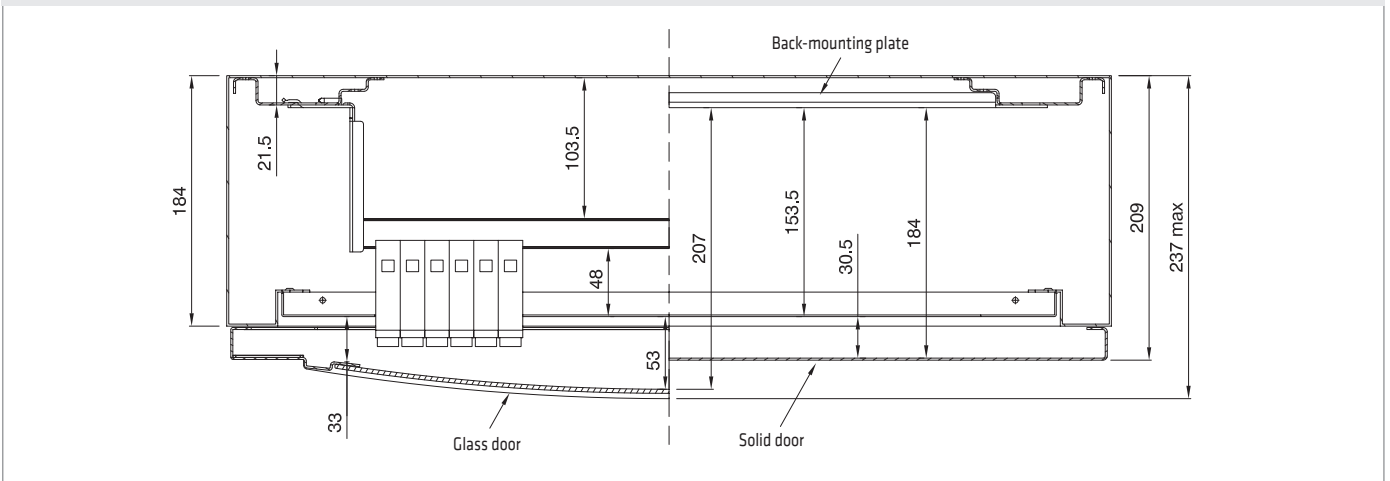
STRUCTURE OF FLOOR-MOUNTING BOARD



DOORS FOR FLOOR-MOUNTING BOARD



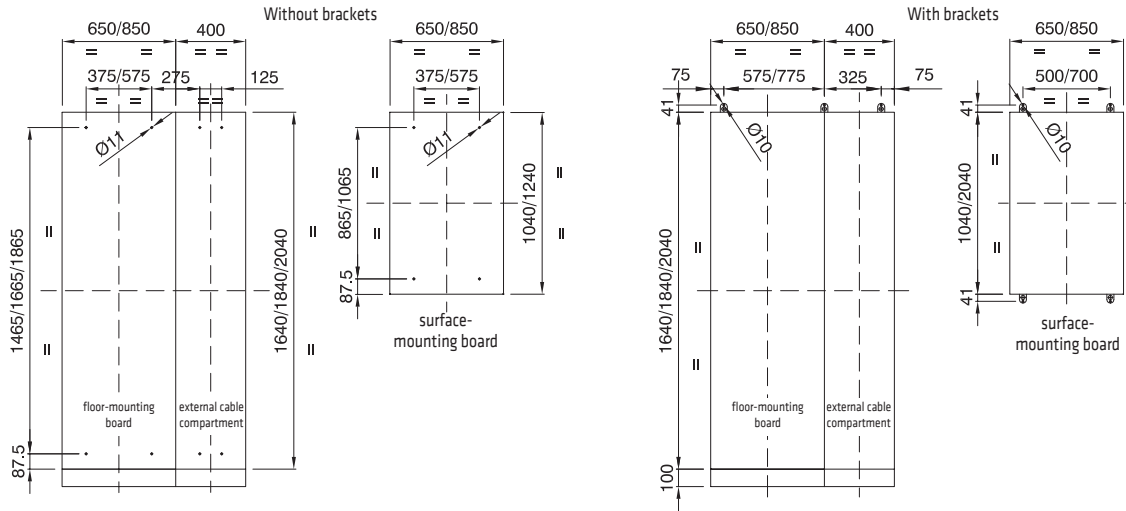
STRUCTURE SECTION



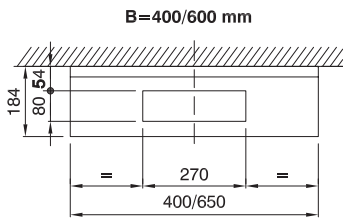
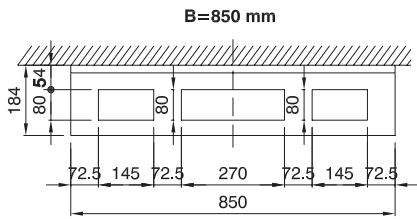
For technical information contact the Technical Assistance Service or visit [gewiss.com](http://www.gewiss.com)

47 CVX 630 K

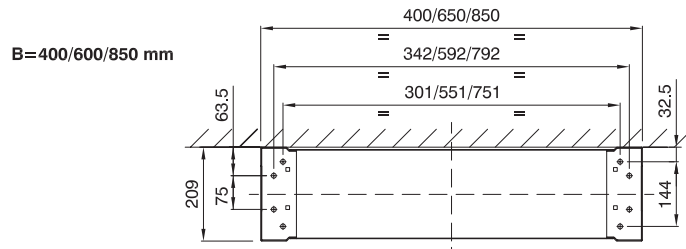
SURFACE FIXING



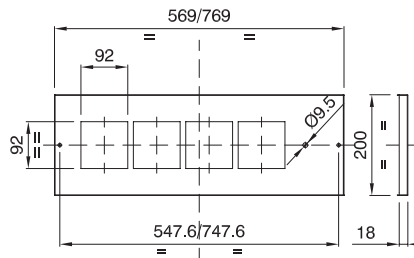
CABLE ENTRY



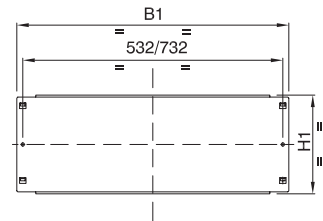
FLOOR FIXING



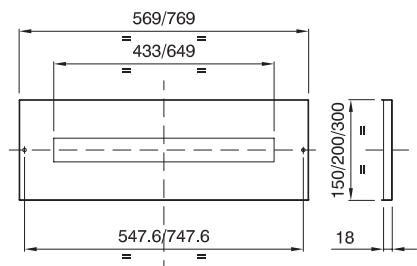
INSTRUMENT PANELS



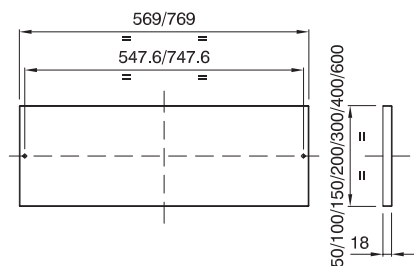
BACK-MOUNTING PLATES



PANELS WITH WINDOWS



SOLID PANELS



Functional dimensions		Real dimensions	
B (mm)	H (mm)	B1 (mm)	H1 (mm)
600	200	556	198
600	400	556	398
600	600	556	598
850	200	756	198
850	400	756	398
850	600	756	598

47 CVX 630 M



Commercial information page 265

QUICK AND EASY MOUNTING



The bracket for the kit of installation of the modular devices is mounted on functional frame without the use of screws or tools and ensures high resistance and greater mechanical stability over the time.

SIMPLE INSTALLATION AND COMFORTABLE MAINTENANCE



All metal components of distribution board ensure the earthing by contact thus avoiding additional connections. All front panels are supplied with unlosable screws and can be fitted with hinges in order to facilitate the maintenance operations after the installation of distribution board.

STRENGTH AND DESIGN



The fine design and the special curved glass of the door allow the installation of the distribution board also in elegant environments as well as in advanced tertiary sectors thanks to its sturdiness.

Technical data

CVX 630M	
Electrical characteristics	Mechanical characteristics
Standards: EN 61439-1 and EN 61439-2, EN 62208	Degree of protection: IP 30 without door
Rated current (In): up to 630 A	IP55 with glass/blank door
Rated operational voltage (Ue): up to 690V AC	Impact resistance: IK 07 for glass door
Rated insulation voltage (Ui): up to 1000V AC	IK 10 for metal casing and front panels
Rated impulse withstand voltage (Uimp): 8 kV 1.2/50 µs	Operating temperature: -5°C - 40°C
Rated conditioned short-circuit current (Icc): 36 kA	Storage temperature: -25°C - 55°C
Rated peak withstand current (Ipk): 73 kA	Sheet steel casing and functional uprights: 15/10mm thick
Rated short-time withstand current (Icw): 35 kA (1s)	Sheet steel panels: 12/10mm thick
Protection against indirect contact: metal casing prearranged for earth connection	Sheet steel door: 15/10mm thick
	Back-mounting plates and kit for MCCB plates in hot galvanised sheet metal: 20/10mm thick
	Sheet metal painted with colour Grey RAL 7035 epoxy-polyester powder

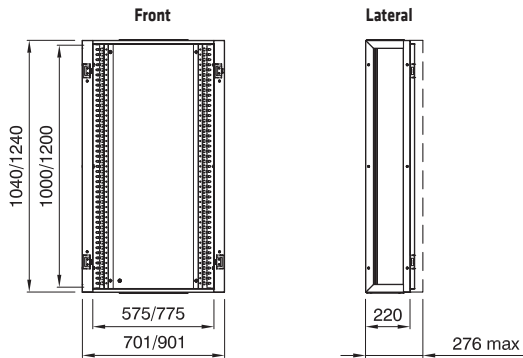
FUNCTIONAL CHARACTERISTICS

Type of installation: indoors	Base (height 100mm) palletizable by removing the front and rear panels
Capacity: 24/36 EN 50022 modules per row	Structures can be lined up using the provided kit
Top and bottom cable entry through metal cable gland plates with seal	Structure can be wall-mounted using brackets
Internal functional uprights with 25mm pitch drilled for the assembly of the equipment installation kits	Earthing by contact of metal parts
Pre-arrangement for assembly of internal compartment in board at width 850mm	Door assembly with reversible opening (right or left side)

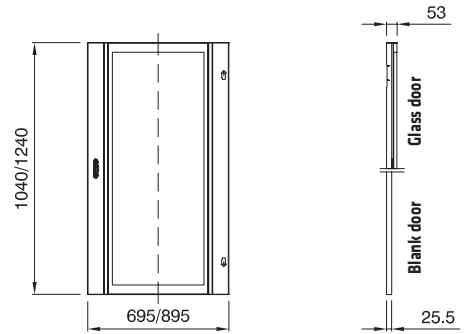
47 CVX 630 M

Dimension tables

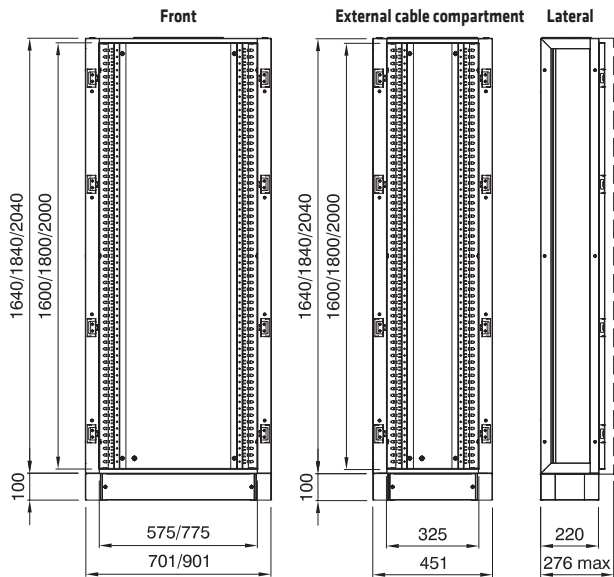
STRUCTURE OF SURFACE-MOUNTING BOARD



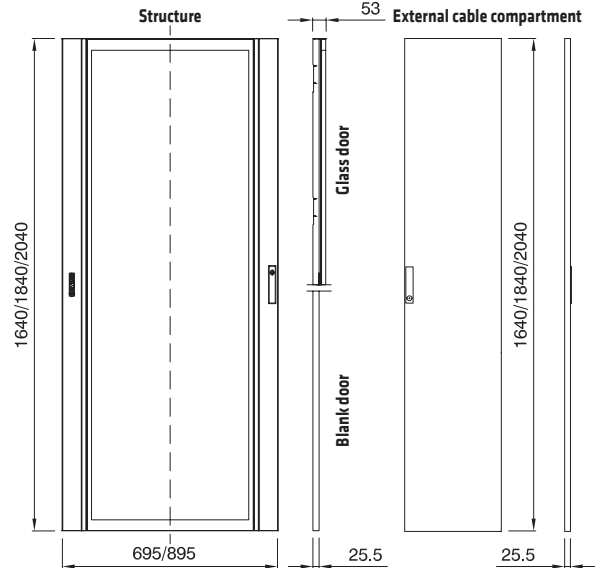
DOORS FOR SURFACE-MOUNTING BOARD



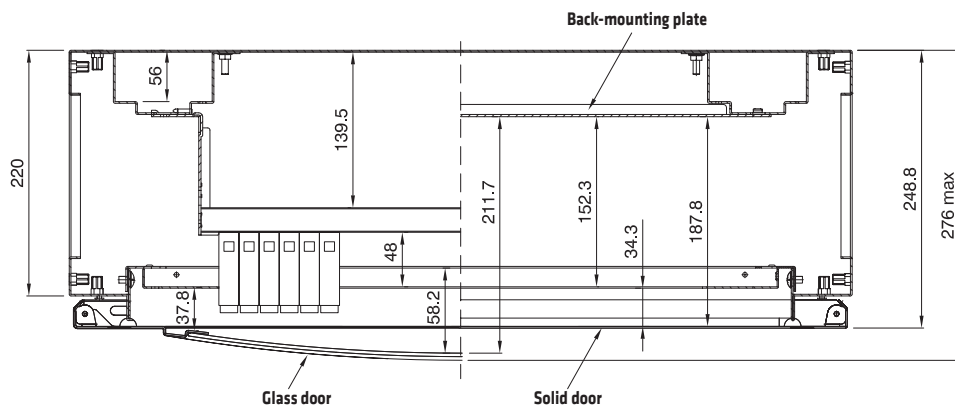
STRUCTURE OF FLOOR-MOUNTING BOARD



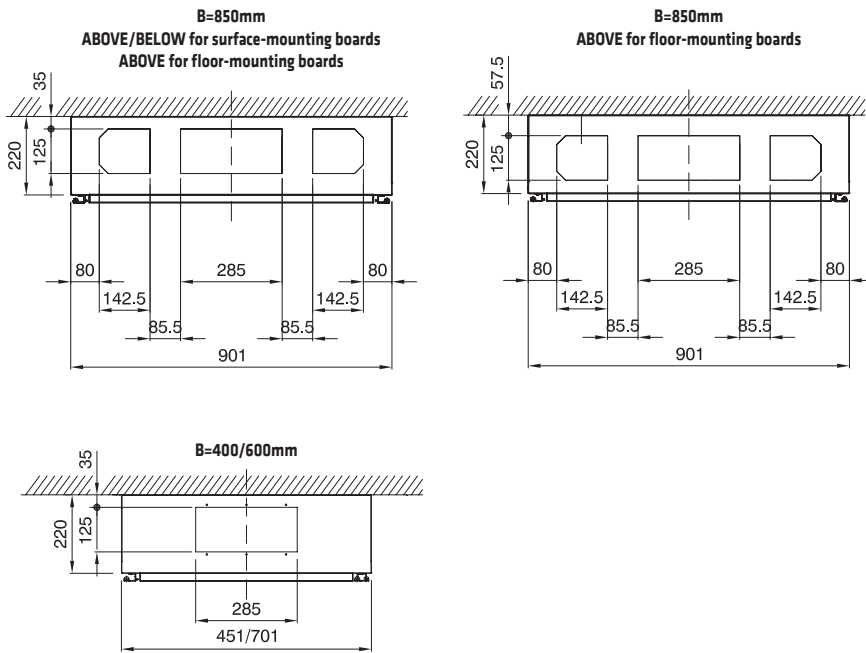
DOORS FOR FLOOR-MOUNTING BOARD



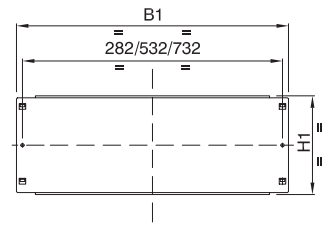
STRUCTURE SECTION



CABLE ENTRY

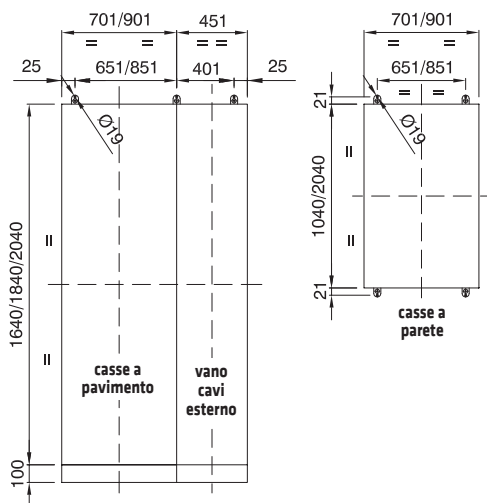


BACK-MOUNTING PLATES

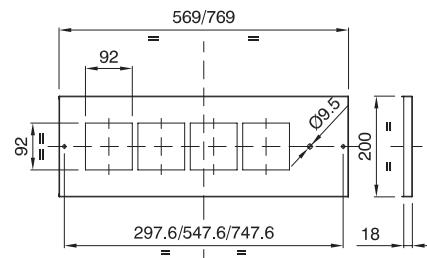


Functional dimensions		Real dimensions	
B (mm)	H (mm)	B1 (mm)	H1 (mm)
400	300	306	298
600	200	556	198
600	400	556	398
600	600	556	598
850	200	756	198
850	400	756	398
850	600	756	598

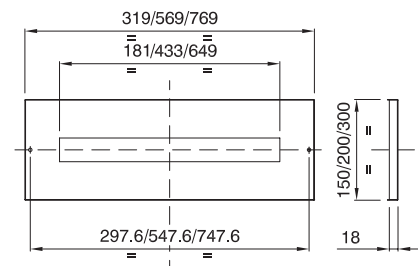
SURFACE FIXING WITH BRACKETS



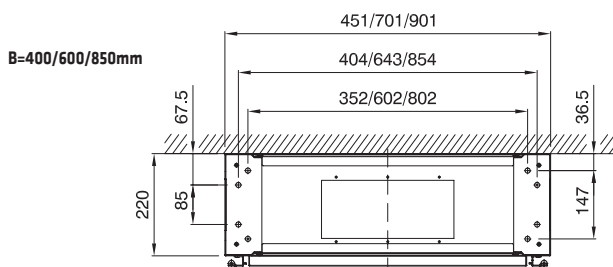
INSTRUMENT PANELS



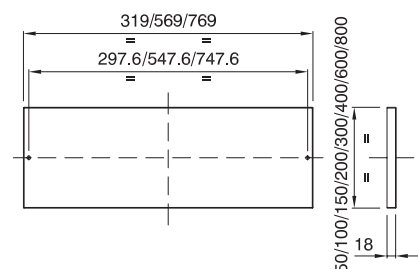
PANELS WITH WINDOWS



FLOOR FIXING



SOLID PANELS



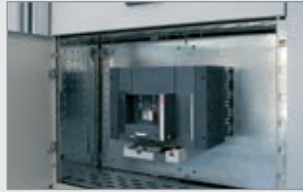
For technical information contact the Technical Assistance Service or visit www.gewiss.com

47 CVX 1600



Commercial information page 279

MAXIMUM SAFETY



The cabinets set in 2a shapes can be easily configured in the 3a, 3b and 4b segregation shapes using kits that simplify and speed up the assembly of the inner panelling, without need any additional sheet metal cutting, folding or drilling work.

COMFORTABLE MOUNTING



The panels have vertical 100mm modularity and are fitted with an invisible hinge on the outside, which can be mounted either on the right or on the left, and which guarantees panel earthing, making the equipotential connection superfluous.

EASY HANDINESS



The extremely compact dimensions of the system allow the busbars to be mounted directly inside the switchgear, positioning them horizontally or vertically, on the back or on the side of the structure, keeping front access, also thanks to the practicality of the scaled type busbar holder.

Technical data

CVX 1600	
Electrical characteristics	Mechanical characteristics
Standards: EN 61439-1 and EN 61439-2, EN 62208	Degree of protection: IP 31/41 without door
Rated current (In): up to 3200 A	IP41 with glass/blank door and aeration side panels
Rated operational voltage (Ue): up to 690V AC	IP65 with glass/blank door
Rated insulation voltage (Ui): up to 1000V AC	Impact resistance: IK 07 for glass door
Rated impulse withstand voltage (Uimp): 8 kV 1.2/50 μs	IK 10 for metal casing and front panels
Rated conditioned short-circuit current (Icc): 100 kA	Operating temperature: -5°C - 40°C
Rated peak withstand current (Ipk): 254 kA	Storage temperature: -25°C - 55°C
Rated short-time withstand current (Icw): 100 kA (1s)	Sheet steel casing: 15/10mm thick
Short-circuiting seal of the protection circuit (phase-earth bar): 60 kA (1s)	Sheet steel panels: 12-15/10mm thick
Protection against indirect contact: metal casing prearranged for earth connection	Sheet steel door: 15/10mm thick
	Back-mounting plates and functional frame in steel sheet: 20-25/10mm thick
	Sheet metal painted with colour Grey RAL 7035 epoxy-polyester powder

FUNCTIONAL CHARACTERISTICS

Type of installation: indoors	Base (H= 100mm) palletisable by removing the back and front panels
Capacity: 12/24/36 EN 50022 modules per row	Structures can be lined up using the provided kit
Lower cable entry through metal cable gland plates with sealing gasket	Structure can be wall-mounted using 2 brackets
Internal functional frames with 25mm pitch perforation	Earthing by contact of side and rear panels
for the assembly of the device installation kits.	Door assembly with reversible opening (right or left side)
Pre-arrangement for assembly of internal compartment in board at width 850mm	

Segregations

Creating a segregated distribution board means dividing the electrical board internally in cells or in compartments by means barriers and partitions.

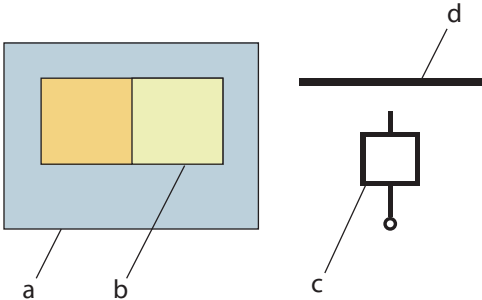
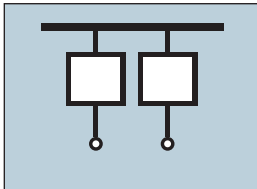
Segregations, or internal separations, have the purpose of:

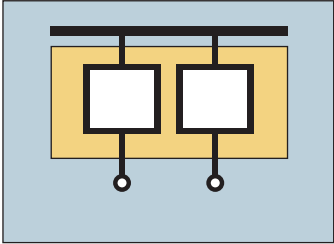
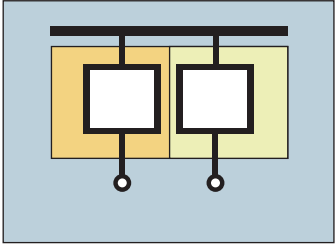
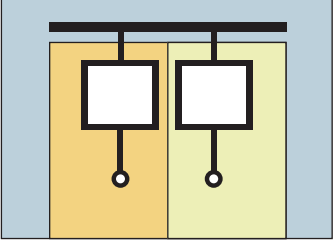
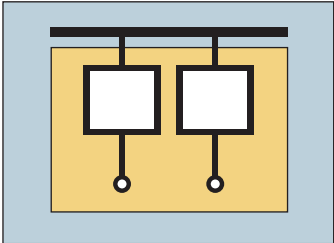
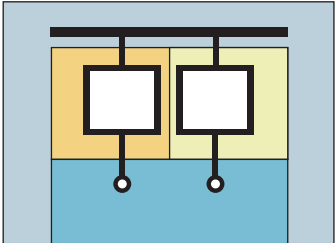
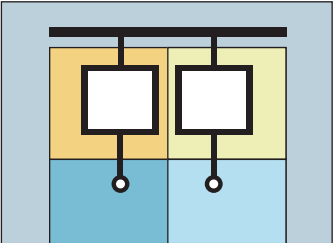
- ensuring protection against direct contact with live parts, especially in the case of safe access to a part of the board without voltage than to the rest of the board supplied. Therefore, these separations allow to manage the different components of the board during maintenance, replacement and emergency, without disconnecting the main power supply. In this way, it's possible to ensure the continuity of service safety, keeping board always supplied in the parts close to the compartment where the maintenance is in progress.
- achieving a degree of protection (at least IP 2X) against the passage of solid bodies between different parts of the board.
- reducing the probability of an internal arc striking and propagating.

The segregations are classified into form. By form of segregation, the type of subdivision provided inside the board is meant. The choice of the form of segregation doesn't depend on the type of electrical circuit but it is an agreement of the end-user with the manufacturer of the board.

In general, it's important to underline that a high degree of segregation is an advantage for safety purpose because it limits the effects of a possible failure in a compartment; on the other hand, excessive segregation, where not specifically required by system needs, involves problems of heat dissipation and access to extraordinary maintenance operations.

Following there is the classification of the possible form of segregations according to IEC 60439-1/IEC 61439-1-2 standards.

Form segregations	
<p style="text-align: center;">Symbols</p>  <p style="text-align: center;">Key</p> <p>a Housing of electrical board</p> <p>b Internal segregation</p> <p>c Functional units (or circuit breaker) with the terminals for the external conductors</p> <p>d Distribution busbars</p>	<p style="text-align: center;">Form 1 (no internal segregation)</p> 

Form 2 (segregation of the busbars from the functional units)	Form 3 (separation of the busbars from the functional units + separation of the functional units from each other)	Form 4 (separation of the busbars from the functional units + separation of the functional units from each other + separation of the terminals from each other)
<p>Form 2a (terminals not separated from the busbars)</p> 	<p>Form 3a (terminals not separated from the busbars)</p> 	<p>Form 4a (terminals in the same compartment as the associated functional unit)</p> 
<p>Form 2b (terminals separated from the busbars)</p> 	<p>Form 3b (terminals separated from the busbars)</p> 	<p>Form 4b (terminals not in the same compartment as the associated functional unit)</p> 

Dimension tables

STRUCTURE

Calculation of dimensions of no. of side-by-side structures (columns)

Width (mm) = (B1+B2+...+Bn)+28

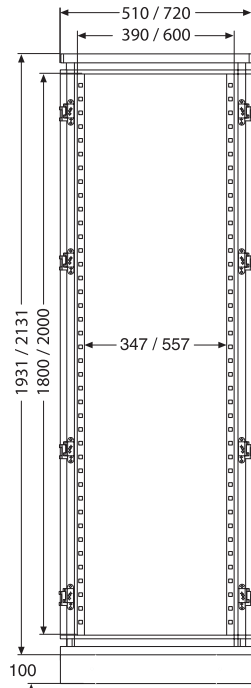
Depth (mm) = P+K

Bn = column width n (mm)

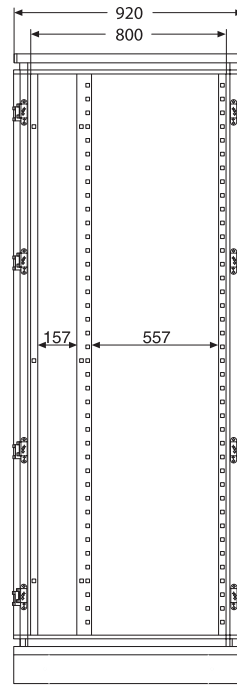
28 = overall dimensions of 2 side panels

P = column depth (mm)

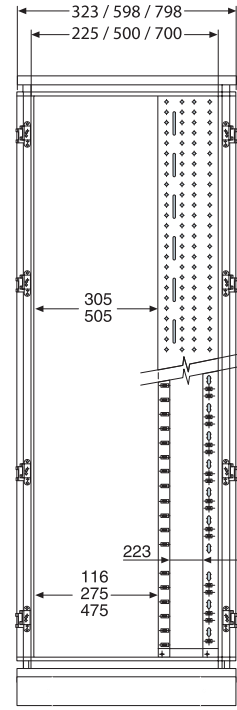
- K =
- 39 with solid door and rear panel
 - 66 with curved glass door and rear panel
 - 103 with protruding glass door and rear panel



Front



Front (structure with internal compartment)



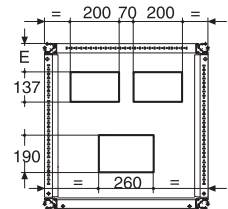
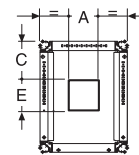
Lateral

LOW CABLE ENTRY

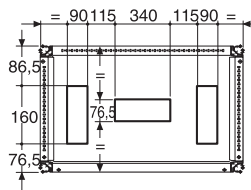
L (mm)	D (mm)	A (mm)	C (mm)	E (mm)
400	400	200	108	137
400	600	320	99	420
400	800	320	99	620
600	400	540	123.5	75.5
600	600		93	163
600	800		123	333

LxD= 400x400 mm
400x600 mm
400x800 mm
600x400 mm

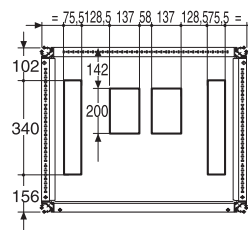
LxD= 600x600 mm
600x800 mm



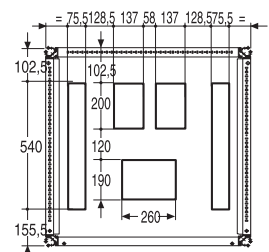
LxD=850x400mm



LxD=850x600mm



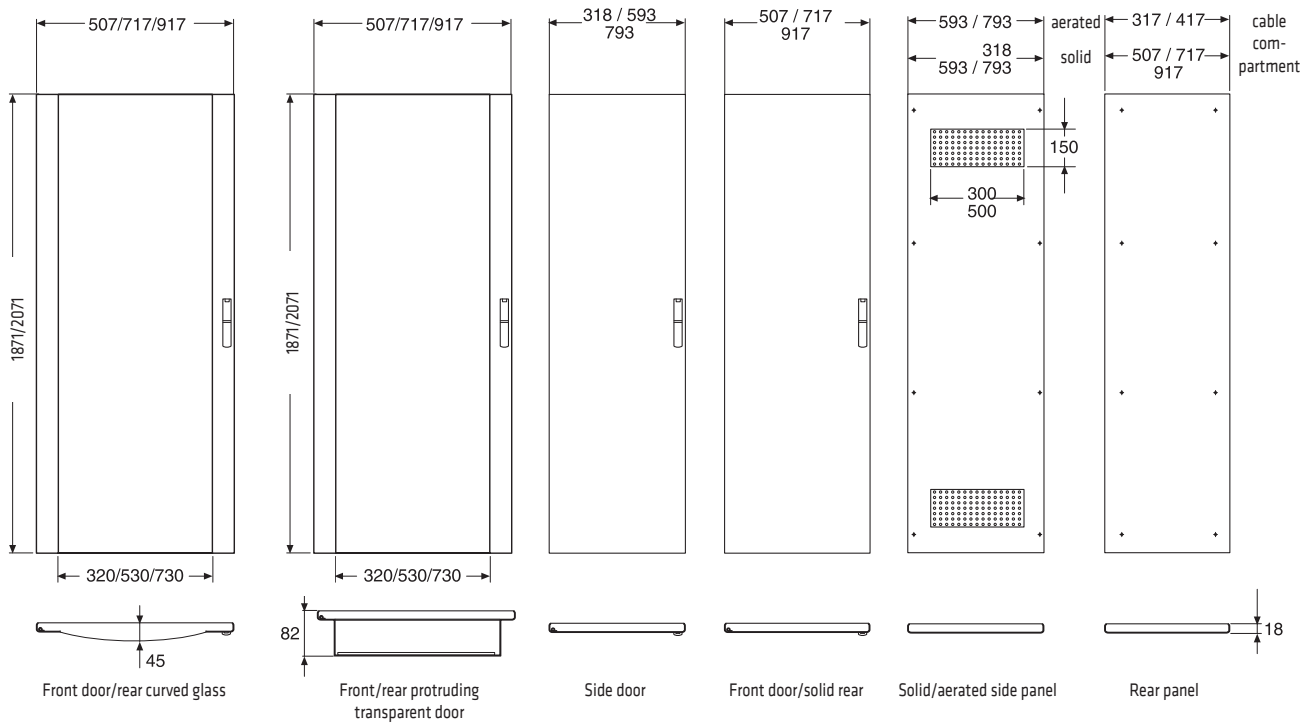
LxD=850x800mm



For technical information contact the Technical Assistance Service or visit [gewiss.com](http://www.gewiss.com)

47 CVX 1600

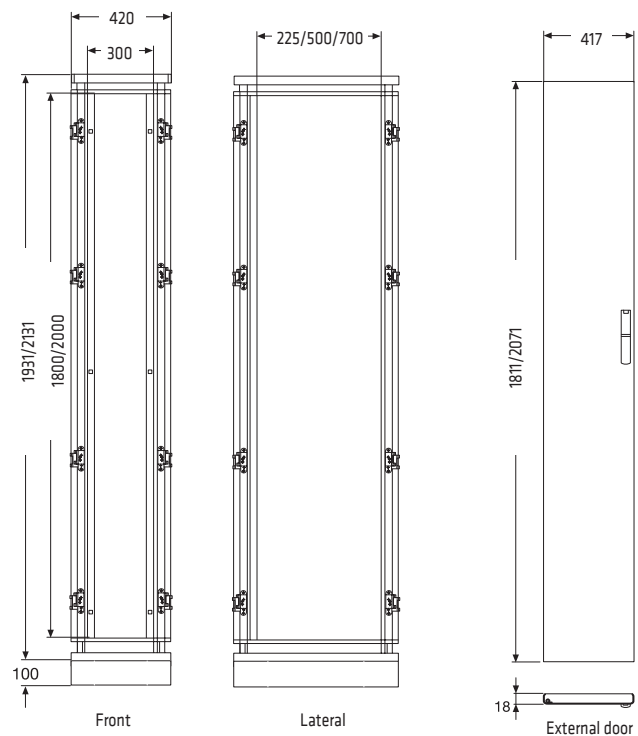
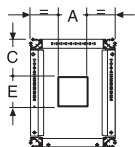
DOORS AND SIDE/REAR PANELS



ADDITIONAL EXTERNAL CABLE COMPARTMENT

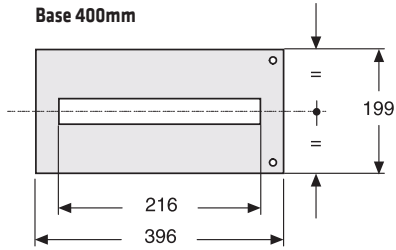
B (mm)	P (mm)	A (mm)	C (mm)	E (mm)
300	400	200	103	137
300	600	230	99	420
300	800	230	99	620

LxD= 300x400 mm
300x600 mm
300x800 mm

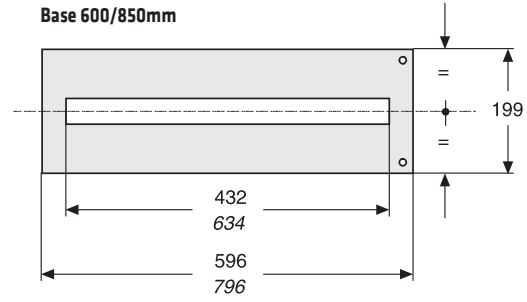


PANELS WITH WINDOWS

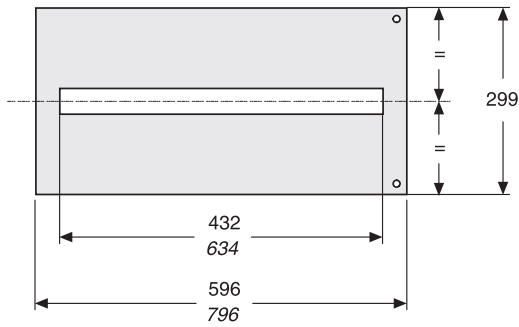
Base 400mm



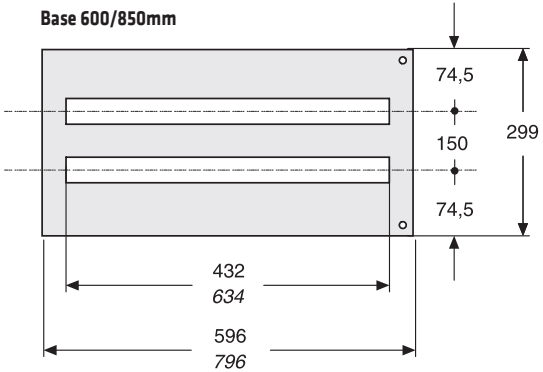
Base 600/850mm



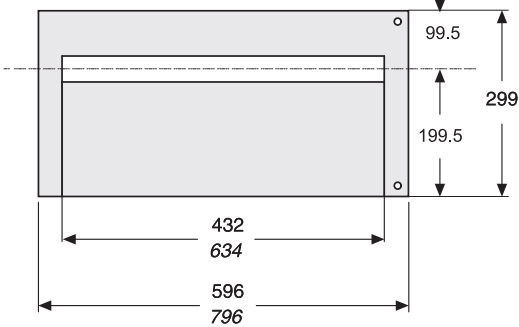
Base 600/850mm



Base 600/850mm

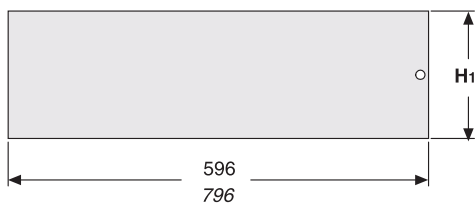


Version for MTX with add-on residual current device



Measurements are in millimetres

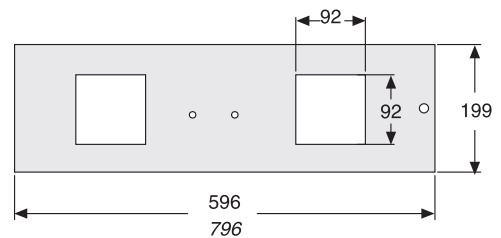
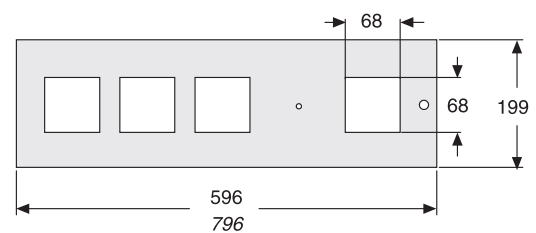
SOLID, AERATED AND RECESSED PANELS



Recessed H ₁ mm	Solid H ₁ mm	Aerated H ₁ mm	Functional H mm
	99	99	100
199	199	199	200
	299		300
399	399		400
	499		500
599	599		600
	799		800

Measurements are in millimetres

INSTRUMENT PANELS



Measurements are in millimetres

47 CVX 1600

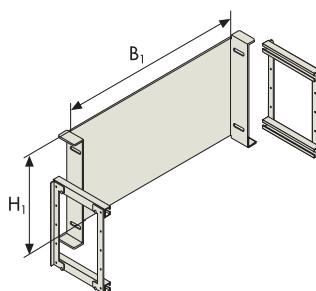
FLAT BACK-MOUNTING PLATES



Functional H (mm)	Non-separated enclosures						Separated enclosures					
	L=400mm		L=600mm		L=850mm		L=400mm		L=600mm		L=850mm	
	H ₁	L ₁	H ₁	L ₁	H ₁	L ₁	H ₁	L ₁	H ₁	L ₁	H ₁	L ₁
200	184	284	184	440	184	640	190	374	190	584	190	784
300	-	-	234	450	234	650	-	-	290	584	290	784
400	-	-	384	440	384	640	-	-	390	584	390	784
600	-	-	584	470	584	670	-	-	590	584	590	784
800	-	-	-	-	-	-	-	-	790	584	790	784

The usable H₁ and L₁ dimensions are expressed in millimetres

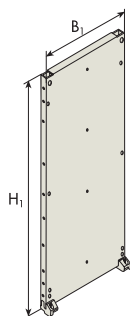
RECESSED BACK-MOUNTING PLATES



Functional H (mm)	Non-separated enclosures						Separated enclosures			
	L=400mm		L=600mm		L=850mm		L=400mm		L=600mm	
	H ₁	L ₁	H ₁	L ₁	H ₁	L ₁	H ₁	L ₁	H ₁	L ₁
200	-	-	180	526	180	726	-	-	-	-
400	-	-	257	526	257	726	-	-	-	-
600	-	-	400	526	400	726	-	-	-	-

The usable H₁ and L₁ dimensions are expressed in millimetres

FULL-HEIGHT BACK-MOUNTING PLATES

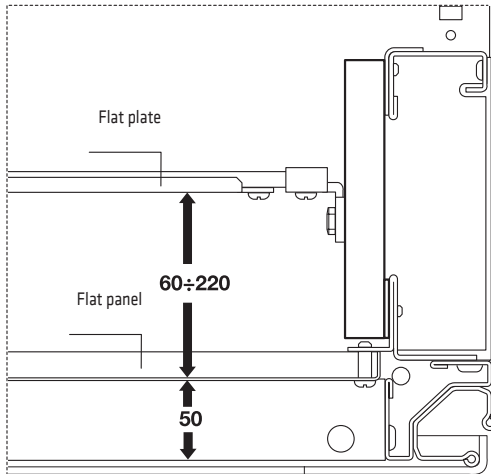


Functional H (mm)	H ₁	L ₁	Code
1800	1776	580	GW 49 828
1800	1776	780	GW 49 830
2000	1966	580	GW 49 829
2000	1966	780	GW 49 831

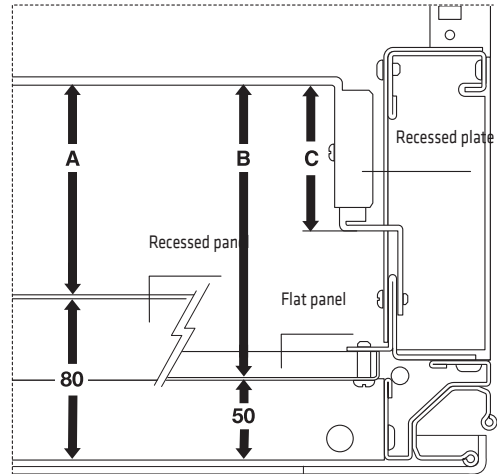
The usable H₁ and L₁ dimensions are expressed in millimetres

BACK-MOUNTING PLATE ADJUSTMENT

Flat back-mounting plate adjustment

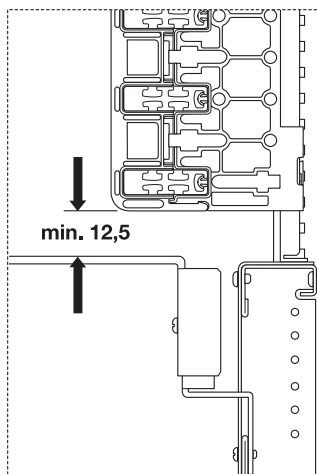


Recessed back-mounting plate adjustment

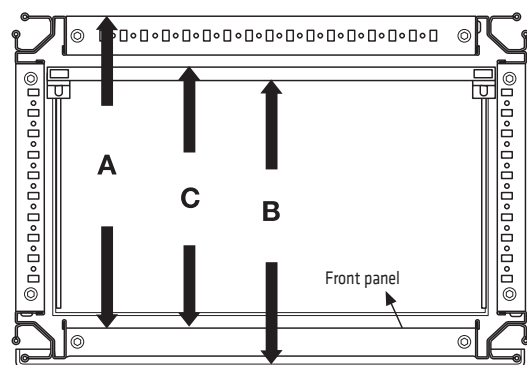


Depth D (mm)	Recessed plate H (mm)	A (mm)	B (mm)	C (mm)
400	200	45±200	75±230	28
	400	110±220	140±250	95
600/800	200	45±200	75±230	28
	400	110±270	140±300	95
	600	250±380	280±410	240

Minimum distance between back-mounting plates and busbar holder



Full-height back-mounting plate adjustment

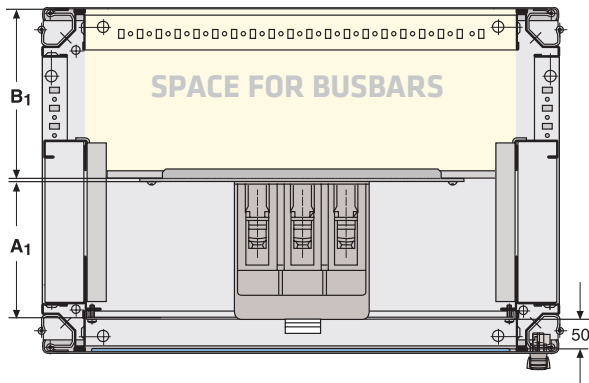


Depth D (mm)	Maximum values		
	A (mm)	B (mm)	C (mm)
400	300	290	240
600	575	565	515
800	775	765	715

47 CVX 1600

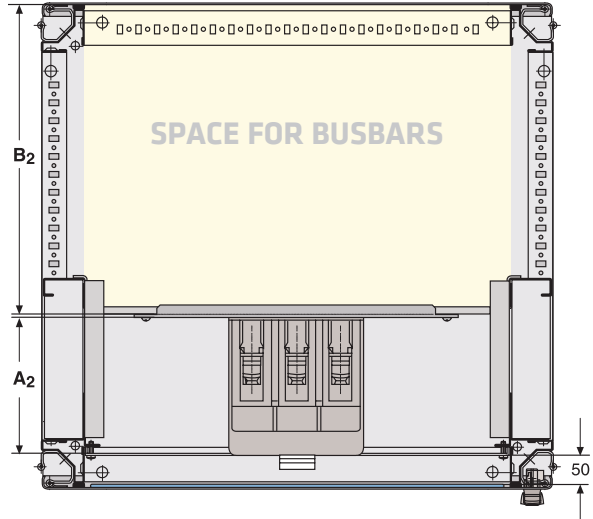
SPACE AVAILABLE FOR BUSBARS

Depth 400mm



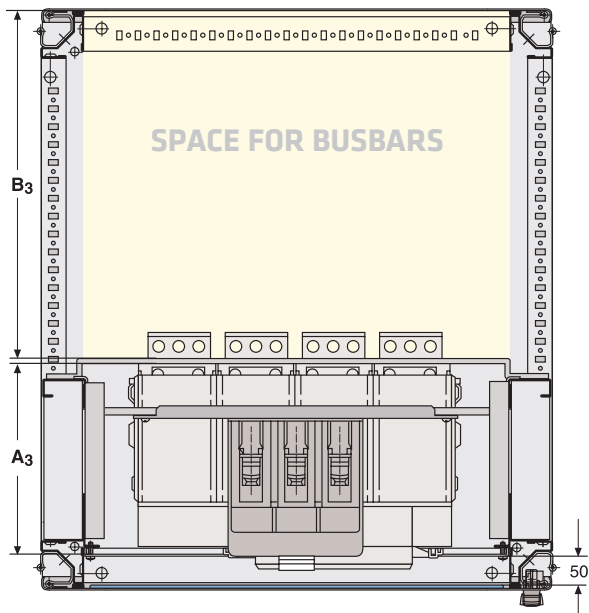
	Fixed		Plug-in		Withdrawable	
	A1	B1	A1	B1	A1	B1
MTX/M 160c-MTX/E 160-MTX/M 250	78	221	149	150	-	-
MTX/E/M 320-MTX/E/M 630-MTX/E/M 1000	107	192	156	143	190	109

Depth 600mm



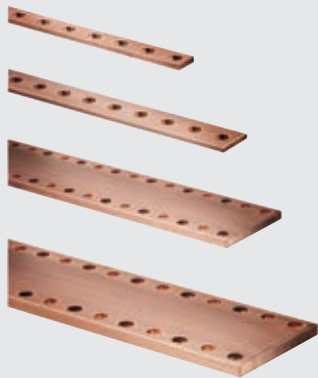
	Fixed		Plug-in		Withdrawable	
	A2	B2	A2	B2	A2	B2
MTX/M 160c-MTX/E 160-MTX/M 250	78	496	149	386	-	-
MTX/E/M 320-MTX/E/M 630-MTX/E/M 1000	107	467	156	418	190	384
MTSE/M 1600	146	428	-	-	241	340

Depth 800mm



	Fixed		Plug-in		Withdrawable	
	A3	B3	A3	B3	A3	B3
MTX/M 160c-MTX/E 160-MTX/M 250	78	696	149	626	-	-
MTX/E/M 320-MTX/E/M 630-MTX/E/M 1000	107	667	156	618	190	584
MTSE/M 1600	146	628	-	-	241	540

47 BUSBAR



Commercial information page 304

QUICK CONNECTION



Connections to the busbar system is facilitated to the specific geometry of the shaped busbar section (one or more C profiles) which allows coupling of the junctions in every point of the busbar thanks to a special hammer screw sliding in the profile without the need for drilling.

QUICK WIRING TIMES



Thanks to the innovative embedded fixing system on the rear of the double DIN rail and the dedicated connectors, it is possible to easily connect all the circuit breakers with different polarities on the same wire without making wiring errors.

FLEXIBLE USE



Thanks to the pre-perforation with 25 mm pitch on the flat bars, quick connection between busbars, flexible busbars or cables is possible.

GWFIX 100 - QUICK BUSBAR FOR MODULAR DEVICES

TECHNICAL DATA			
Rated operational voltage (Ue):	(V)	400 AC	
Rated insulation voltage (Ui):	(V)	500 AC	
Rated impulse withstand voltage (Uimp):	(kV)	6 - 1.2/50 μs	
Rated frequency:	(Hz)	50 / 60	
Rated current (In):	central power supply	(A)	100
	lateral power supply	(A)	80
Maximum installable circuit breaker size:	(A)	100	
Conditioned short-circuit current (Icc)	with modular circuit breaker: MTC 45 - MDC 45		4.5 - 400V
	MT60 - MTC 60 - MDC 60		6 - 400V
	MT100 - MTC 100 - MDC 100		10 - 400V
	MT 250		25 - 400V
Degree of protection:		IP20	
Characteristics of the insulation material:		self-extinguishing thermoplastic V1 (UL94)	
Characteristics of the conductor material:		electrolytic copper	
Width:	(no. modules/mm)	12/400 - 18 - 24/600 - 36/850	

EXAMPLES OF CONNECTIONS

<p>With automatic circuit breaker and power supply from below</p>	<p>With modular switch disconnector and power supply from below</p>	<p>Lower busbar power supply by means of parallel module</p>
<p>Busbar power supply by means of power supply cable terminal placed centrally In 100A max</p>	<p>Busbar power supply by means of feeder module (supplied without cables) placed laterally In 80A max</p>	<p>Power supply of two different single-phase circuits by means of feeder module (supplied without cables)</p>

For technical information contact the Technical Assistance Service or visit gewiss.com

47 BUSBAR

GWFIX 250 - QUICK BUSBAR FOR MODULAR DEVICES

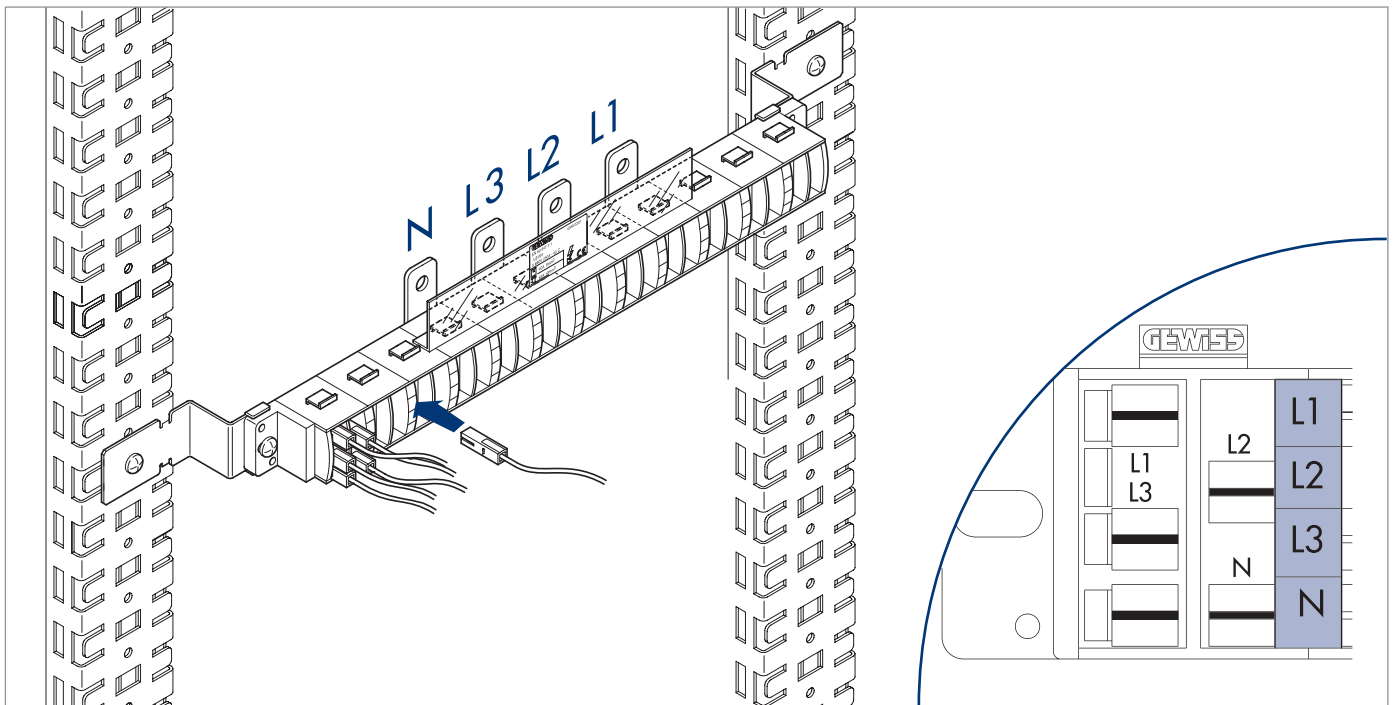
TECHNICAL DATA			
Rated operational voltage (Ue):	500V AC	Rated conditional short-circuit current (Icc):	4.5 ÷ 25 kA - 400V
Rated insulation voltage (Ui):	500V AC	Degree of protection:	IP20
Rated impulse withstand voltage (Uimp):	6 kV 1.2/50 µs	Characteristic of the insulating material:	self-extinguishing thermoplastic V1 (UL94)
Rated frequency:	50/60Hz	Characteristics of the conductor material:	electrolytic copper
Rated current central power supply (In):	250A	Width (no. modules):	24 / 36
Brief rated current (Icw):	10 kA (1s)	Suitable for installation with panels with windows (200mm height)	
Peak rated current (Ipk):	61 kA	Connection of quick type connector with mechanical coupling.	
Maximum branched current:	63A	Connector disconnection with tool.	

TYPE OF CONDUCTORS WITH TERMINAL FOR QUICK COUPLING

Type	Capacity	Section	Colour	Length
H07 VK	40A	6mm ²	Black	120mm
				500mm
			Blue	120mm
				500mm
	63A	10mm ²	Black	120mm
				500mm
Blue	120mm			
	500mm			

Notes:
 - length = 120mm: crimped terminal
 - length = 500mm: terminal without stripping

QUICK COUPLING TERMINAL AND PHASE IDENTIFICATION



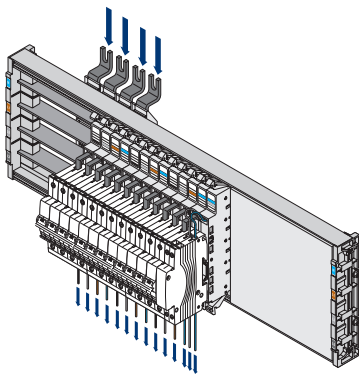
GWFIX 400 - QUICK BUSBAR FOR MODULAR AND MOULDED-CASE DEVICES

TECHNICAL DATA

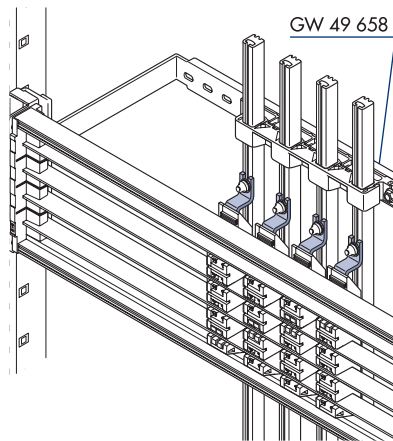
Rated operational voltage (Ue):	690V AC	Degree of protection:	IP20
Rated insulation voltage (Ui):	1000V AC	Characteristic of the insulating material:	self-extinguishing thermoplastic V1 (UL94)
Rated impulse withstand voltage (Uimp):	8 kV - 1.2/50 μ s	Characteristics of the conductor material:	electrolytic copper
Rated frequency:	50/60Hz	Section of the conductor material:	busbars 25x5mm
Rated current	central supply: 400A lateral supply: 320A	Width (No. modules):	24 / 36
Brief allowed current (Icw):	25 kA	Installable devices:	90 range MTX 160c, MTX 160, MTX 250 also with add-on residual current devices
Peak rated current (Ipk):	52.5 kA - 400V		
Maximum branched current:	250A		
Rated conditional short-circuit current (Icc)	MTX 160c: 36 kA - 400V MTX 160: 50 kA - 400V MTX 250: 50 kA - 400V		

EXAMPLES OF CONNECTIONS

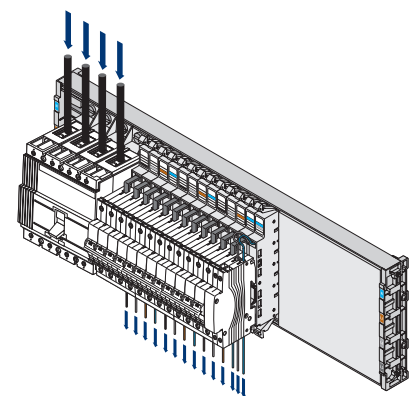
Direct power supply with power supply units



Direct connection with busbars

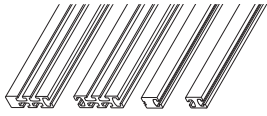


Power supply with main circuit breaker



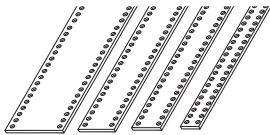
47 BUSBAR

BUSBAR DISTRIBUTION SYSTEM



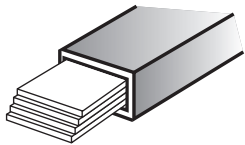
SHAPED BUSBARS - TECHNICAL DATA

Rated operational voltage (Ue):	690V AC	Busbar material:	electrolytic copper 99.9% Cu-ETP
Rated insulation voltage (Ui):	1000V AC	Insulating material:	self-extinguishing polyamide V0 (UL 94)
Rated impulse withstand voltage (Uimp):	8 kV - 1.2/50 µs	Tightening torque: screws M8=	20Nm
Rated frequency:	50/60Hz		screws M10= 30Nm
Rated current (In):	400, 800, 1250, 1600A	Operating ambient conditions	
Brief rated current (Icw):	up to 75 kA (1s/400V AC)	constant: 25°C/83% - 40°C/93%	
Rated conditional short-circuit current (Icc):	up to 75 kA	variable: 25°C/98% - 40°C/98%	
		Operating temperature:	-5°C - 40°C
		Storage temperature:	-25°C - 55°C



FLAT BUSBARS - TECHNICAL DATA

Rated operational voltage (Ue):	690V AC	Busbar material:	electrolytic copper 99.9% Cu-ETP
Rated insulation voltage (Ui):	1000V AC	Insulating material:	self-extinguishing polyamide V0 (UL 94)
Rated impulse withstand voltage (Uimp):	8 kV - 1.2/50 µs	Tightening torque:	4 Nm
Rated frequency:	50/60Hz	Operating ambient conditions	
Rated current (In):	250, 400, 630, 800, 1250, 1600, 2500, 3200A	constant: 25°C/83% - 40°C/93%	
Brief rated current (Icw):	up to 100 kA (1s/400V AC)	variable: 25°C/98% - 40°C/98%	
Rated conditional short-circuit current (Icc):	up to 100 kA	Operating temperature:	-5°C - 40°C
		Storage temperature:	-25°C - 55°C



FLEXIBLE BUSBARS - TECHNICAL DATA

Rated operational voltage (Ue):	690V AC	Busbar material:	electrolytic copper 99.9% Cu-ETP
Rated insulation voltage (Ui):	1000V AC	Insulating material:	self-extinguishing polyamide V0 (UL 94)
Rated impulse withstand voltage (Uimp):	8 kV - 1.2/50 µs	Tightening torque:	M6 screws = 13Nm
Rated frequency:	50/60Hz		M12 screws = 110Nm
Rated current (In):	125, 250, 400, 630, 1000, 1250A	Operating temperature:	-45 °C ÷ 105 °C

Quick Reference

Quick Reference

Code	Quantity		Page
	Pack/carton	Pallet	
GW10			
GW 10 204	6/48	3600	112
GW 10 661	1/6	1932	112
GW16			
GW 16 841	5/300	2400	112
GW 16 842	5/150	1200	112
GW 16 843	5/50	800	112
GW20			
GW 20 246	30/120	7200	113
GW 20 833	1/4	1248	113
GW26			
GW 26 409	5/300	10800	113
GW 26 410	5/150	5400	113
GW38			
GW 38 561	1	700	278
GW44			
GW 44 651	1/5	1960	309
GW 44 652	1/25	11550	309
GW 44 691	2/36	3600	310
GW 44 693	1/12	1200	310
GW 44 696	2/16	880	310
GW 44 698	1/9	504	310
GW 44 699	1/12	216	310
GW 44 700	1	60	309
GW45			
GW 45 004	1	8	251
GW 45 005	1	8	251
GW 45 007	1	9	251
GW 45 008	1	9	251
GW 45 009	1	9	251
GW 45 014	1	8	251
GW 45 015	1	8	251
GW 45 017	1	7	251
GW 45 018	1	8	251
GW 45 019	1	8	251
GW 45 024	1	36	251
GW 45 025	1	36	251
GW 45 027	1	40	252
GW 45 028	1	40	252
GW 45 029	1	40	252
GW 45 034	1	30	253
GW 45 035	1	36	253
GW 45 037	1	43	253
GW 45 038	1	43	253
GW 45 039	1	50	253
GW 45 047	1	15	253
GW 45 048	1	15	253
GW 45 049	1	15	253
GW 45 054	1	6	265
GW 45 055	1	8	265
GW 45 057	1	4	266
GW 45 058	1	4	266
GW 45 059	1	4	266
GW 45 064	1	5	265
GW 45 065	1	6	265
GW 45 067	1	4	266
GW 45 068	1	4	266
GW 45 069	1	4	266
GW 45 074	1	42	265
GW 45 075	1	42	265

Code	Quantity		Page
	Pack/carton	Pallet	
GW 45 077	1	50	266
GW 45 078	1	50	266
GW 45 079	1	60	266
GW 45 084	1	26	268
GW 45 085	1	26	268
GW 45 087	1	30	268
GW 45 088	1	26	268
GW 45 089	1	26	268
GW 45 097	1	8	268
GW 45 098	1	8	268
GW 45 099	1	8	268
GW 45 104	1	8	253
GW 45 105	1	7	253
GW 45 107	1	10	253
GW 45 108	1	10	253
GW 45 109	1	10	253
GW 45 114	1	8	253
GW 45 115	1	7	253
GW 45 117	1	8	253
GW 45 118	1	8	253
GW 45 119	1	8	253
GW 45 124	1	8	253
GW 45 125	1	8	253
GW 45 127	1	11	253
GW 45 128	1	11	253
GW 45 129	1	11	253
GW 45 134	1	8	253
GW 45 135	1	8	253
GW 45 137	1	9	253
GW 45 138	1	9	253
GW 45 139	1	9	253
GW 45 147	1	20	254
GW 45 148	1	19	254
GW 45 149	1	18	254
GW 45 154	1	8	266
GW 45 155	1	11	266
GW 45 157	1	10	266
GW 45 158	1	9	266
GW 45 159	1	9	266
GW 45 164	1	8	266
GW 45 165	1	8	266
GW 45 167	1	8	266
GW 45 168	1	7	266
GW 45 169	1	8	266
GW 45 174	1	14	267
GW 45 175	1	14	267
GW 45 177	1	11	267
GW 45 178	1	11	267
GW 45 179	1	10	267
GW 45 184	1	14	267
GW 45 185	1	8	267
GW 45 187	1	8	267
GW 45 188	1	9	267
GW 45 189	1	8	267
GW 45 197	1	11	268
GW 45 198	1	16	268
GW 45 199	1	16	268
GW 45 201	1	144	255
GW 45 201	1	144	255
GW 45 202	1	140	255
GW 45 202	1	140	255
GW 45 203	1	80	255
GW 45 203	1	80	255
GW 45 204	1	88	255
GW 45 204	1	88	255

Code	Quantity		Page
	Pack/carton	Pallet	
GW 45 206	1	140	255
GW 45 206	1	140	255
GW 45 207	1	100	255
GW 45 207	1	100	255
GW 45 208	1	45	255
GW 45 208	1	45	255
GW 45 209	1	12	255
GW 45 209	1	12	255
GW 45 236	1	36	255
GW 45 236	1	36	255
GW 45 237	1	48	255
GW 45 237	1	48	255
GW 45 238	1	48	255
GW 45 243	1	102	255
GW 45 243	1	102	255
GW 45 244	1	102	255
GW 45 244	1	102	255
GW 45 245	1	84	255
GW 45 245	1	84	255
GW 45 246	1	96	255
GW 45 246	1	96	255
GW 45 247	1	96	255
GW 45 247	1	96	255
GW 45 248	1	84	256
GW 45 248	1	84	256
GW 45 249	1	96	256
GW 45 249	1	96	256
GW 45 251	1	36	257
GW 45 251	1	36	257
GW 45 252	1	22	257
GW 45 252	1	22	257
GW 45 253	1	44	257
GW 45 253	1	44	257
GW 45 254	1	33	257
GW 45 254	1	33	257
GW 45 256	1	44	257
GW 45 256	1	44	257
GW 45 257	1	22	257
GW 45 257	1	22	257
GW 45 261	1	42	256
GW 45 261	1	42	256
GW 45 262	1	49	256
GW 45 262	1	49	256
GW 45 263	1	30	256
GW 45 263	1	30	256
GW 45 264	1	105	270
GW 45 265	1	48	270
GW 45 266	1	105	256
GW 45 266	1	105	256
GW 45 267	1	105	256
GW 45 267	1	105	256
GW 45 268	1	91	256
GW 45 268	1	91	256
GW 45 271	1	56	255
GW 45 271	1	56	255
GW 45 272	1	56	255
GW 45 272	1	56	255
GW 45 273	1	56	255
GW 45 273	1	56	255
GW 45 274	1	70	255
GW 45 274	1	70	255
GW 45 275	1	48	255
GW 45 275	1	48	255
GW 45 276	1	40	255

Code	Quantity		Page
	Pack/carton	Pallet	
GW 45 276	1	40	255
GW 45 277	1	60	255
GW 45 277	1	60	255
GW 45 278	1	48	255
GW 45 278	1	48	255
GW 45 281	1	56	256
GW 45 281	1	56	256
GW 45 282	1	56	256
GW 45 282	1	56	256
GW 45 283	1	56	256
GW 45 283	1	56	256
GW 45 284	1	84	256
GW 45 284	1	84	256
GW 45 285	1	48	256
GW 45 285	1	48	256
GW 45 286	1	20	256
GW 45 286	1	20	256
GW 45 287	1	40	256
GW 45 287	1	40	256
GW 45 288	1	40	256
GW 45 288	1	40	256
GW 45 289	1	60	256
GW 45 289	1	60	256
GW 45 290	1	48	256
GW 45 290	1	48	256
GW 45 291	1	256	255
GW 45 291	1	256	255
GW 45 292	1	180	255
GW 45 292	1	180	255
GW 45 293	1	144	255
GW 45 293	1	144	255
GW 45 298	1	80	257
GW 45 298	1	80	257
GW 45 299	1	60	257
GW 45 299	1	60	257
GW 45 301	1	450	258
GW 45 301	1	450	258
GW 45 302	1	220	258
GW 45 302	1	220	258
GW 45 303	1	200	258
GW 45 303	1	200	258
GW 45 304	1	190	258
GW 45 304	1	190	258
GW 45 305	1	100	258
GW 45 305	1	100	258
GW 45 306	1	100	258
GW 45 306	1	100	258
GW 45 307	1	50	258
GW 45 307	1	50	258
GW 45 321	1	350	258
GW 45 321	1	350	258
GW 45 322	1	200	258
GW 45 322	1	200	258
GW 45 323	1	175	258
GW 45 323	1	175	258
GW 45 324	1	150	258
GW 45 324	1	150	258
GW 45 325	1	100	258
GW 45 325	1	100	258
GW 45 326	1	75	258
GW 45 326	1	75	258
GW 45 327	1	50	258
GW 45 327	1	50	258
GW 45 341	1	640	258
GW 45 341	1	640	258

Code	Quantity		Page
	Pack/carton	Pallet	
GW 45 342	1	360	258
GW 45 342	1	360	258
GW 45 343	1	280	258
GW 45 343	1	280	258
GW 45 344	1	200	258
GW 45 344	1	200	258
GW 45 345	1	160	258
GW 45 345	1	160	258
GW 45 346	1	160	258
GW 45 346	1	160	258
GW 45 347	1	80	258
GW 45 347	1	80	258
GW 45 348	1	60	258
GW 45 348	1	60	258
GW 45 352	1	48	254
GW 45 352	1	48	254
GW 45 353	1	48	254
GW 45 353	1	48	254
GW 45 354	1	48	254
GW 45 354	1	48	254
GW 45 362	1	200	258
GW 45 362	1	200	258
GW 45 367	1	150	258
GW 45 367	1	150	258
GW 45 374	1	132	258
GW 45 374	1	132	258
GW 45 379	1	125	258
GW 45 379	1	125	258
GW 45 381	1	80	308
GW 45 382	1	60	308
GW 45 394	1	42	265
GW 45 395	1	42	265
GW 45 397	1	60	266
GW 45 398	1	13	266
GW 45 399	1	60	266
GW 45 401	1	250	259
GW 45 401	1	250	259
GW 45 402	1	200	259
GW 45 402	1	200	259
GW 45 406	1	416	259
GW 45 406	1	416	259
GW 45 411	1	320	260
GW 45 411	1	320	260
GW 45 412	1	320	260
GW 45 412	1	320	260
GW 45 416	1	220	260
GW 45 416	1	220	260
GW 45 417	1	220	260
GW 45 417	1	220	260
GW 45 421	1	160	259
GW 45 421	1	160	259
GW 45 422	1	100	259
GW 45 422	1	100	259
GW 45 423	1	100	259
GW 45 423	1	100	259
GW 45 431	1	120	259
GW 45 431	1	120	259
GW 45 432	1	90	259
GW 45 432	1	90	259
GW 45 433	1	50	259
GW 45 433	1	50	259
GW 45 444	1	160	259
GW 45 445	1	140	259
GW 45 447	1	140	259
GW 45 448	1	140	259

Code	Quantity		Page
	Pack/carton	Pallet	
GW 45 449	1	140	259
GW 45 451	1	160	259
GW 45 452	1	140	259
GW 45 453	1	100	272
GW 45 454	1	80	272
GW 45 457	1	72	273
GW 45 458	1	48	273
GW 45 459	1	48	273
GW 45 467	1	140	259
GW 45 468	1	140	259
GW 45 469	1	30	259
GW 45 474	1	48	273
GW 45 475	1	48	273
GW 45 477	1	72	273
GW 45 478	1	48	273
GW 45 479	1	48	273
GW 45 504	1	60	262
GW 45 505	1	60	262
GW 45 507	1	84	262
GW 45 508	1	84	262
GW 45 509	1	84	262
GW 45 511	1	108	262
GW 45 512	1	84	262
GW 45 513	1	60	262
GW 45 516	1	440	276
GW 45 516	1	440	276
GW 45 517	1	200	276
GW 45 517	1	200	276
GW 45 518	1	250	276
GW 45 518	1	250	276
GW 45 519	1	250	276
GW 45 519	1	250	276
GW 45 521	1	900	261
GW 45 521	1	900	261
GW 45 526	1	550	261
GW 45 526	1	550	261
GW 45 527	1	1000	261
GW 45 527	1	1000	261
GW 45 528	1	200	261
GW 45 528	1	200	261
GW 45 531	1	250	262
GW 45 532	1	312	260
GW 45 532	1	312	260
GW 45 533	1/10	1280	276
GW 45 534	1	800	277
GW 45 534	1	800	277
GW 45 535	1	400	277
GW 45 535	1	400	277
GW 45 536	1	550	264
GW 45 537	1	0	277
GW 45 537	1	0	277
GW 45 538	1	264	247
GW 45 538	1	264	247
GW 45 538	1	264	247
GW 45 539	1	240	308
GW 45 541	1	40	309
GW 45 542	1	30	309
GW 45 543	1	9	309
GW 45 544	1	20	309
GW 45 551	1	340	314
GW 45 552	1	150	314
GW 45 553	1	160	314
GW 45 554	1	80	314
GW 45 555	1	250	314
GW 45 556	1	175	314

Quick Reference

Code	Quantity		Page
	Pack/carton	Pallet	
GW 45 557	1	175	314
GW 45 558	1	80	314
GW 45 561	1	280	314
GW 45 562	1	70	314
GW 45 563	1	80	314
GW 45 573	1	14	314
GW 45 574	1	33	314
GW 45 575	1	126	311
GW 45 576	1	70	311
GW 45 577	1	44	311
GW 45 578	1	33	311
GW 45 579	1	80	311
GW 45 580	1	15	311
GW 45 581	1	70	276
GW 45 582	1	50	276
GW 45 583	1	50	276
GW 45 601	1	20	256
GW 45 601	1	20	256
GW 45 602	1	26	270
GW 45 603	1	16	270
GW 45 604	1	30	270

GW46

GW 46 447	1/10	200	247
GW 46 447	1/10	200	247
GW 46 447	1/10	200	247
GW 46 447	1/10	200	247
GW 46 447	1/10	200	247
GW 46 448	1/2	120	261
GW 46 448	1/2	120	261
GW 46 448	1/2	120	261
GW 46 471	1/10	300	262
GW 46 471	1/10	300	262
GW 46 471	1/10	300	262

GW47

GW 47 001 E	1	12	241
GW 47 002 E	1	8	241
GW 47 003 E	1	10	241
GW 47 004 E	1	10	241
GW 47 011 E	1	10	241
GW 47 012 E	1	10	241
GW 47 013 E	1	8	241
GW 47 014 E	1	8	241
GW 47 021 E	1	11	241
GW 47 022 E	1	10	241
GW 47 023 E	1	8	241
GW 47 024 E	1	8	241
GW 47 031 E	1	10	242
GW 47 032 E	1	10	242
GW 47 033 E	1	8	242
GW 47 034 E	1	8	242
GW 47 041 E	1	10	242
GW 47 042 E	1	10	242
GW 47 043 E	1	8	242
GW 47 044 E	1	8	242
GW 47 062 E	1	10	242
GW 47 063 E	1	7	242
GW 47 064 E	1	9	242
GW 47 072	1	12	235
GW 47 073	1	11	235
GW 47 074	1	11	235
GW 47 082	1	10	235
GW 47 083	1	10	235
GW 47 084	1	10	235

Code	Quantity		Page
	Pack/carton	Pallet	
GW 47 087	1	12	235
GW 47 088	1	10	235
GW 47 089	1	9	235
GW 47 111	1	9	249
GW 47 111	1	9	249
GW 47 112	1	10	249
GW 47 112	1	10	249
GW 47 113	1	8	249
GW 47 113	1	8	249
GW 47 114	1	10	249
GW 47 121	1	12	249
GW 47 121	1	12	249
GW 47 122	1	12	249
GW 47 122	1	12	249
GW 47 123	1	10	249
GW 47 123	1	10	249
GW 47 124	1	10	249
GW 47 131	1	6	249
GW 47 132	1	6	249
GW 47 133	1	9	249
GW 47 134	1	9	249
GW 47 141	1	10	249
GW 47 142	1	10	249
GW 47 143	1	5	249
GW 47 144	1	10	249
GW 47 162	1	10	250
GW 47 163	1	10	250
GW 47 164	1	9	250
GW 47 171	1/10	240	243
GW 47 172	1/8	192	243
GW 47 173	1/10	360	244
GW 47 173	1/10	360	244
GW 47 174	1/10	120	244
GW 47 174	1/10	120	244
GW 47 175	1/10	360	244
GW 47 175	1/10	360	244
GW 47 176	1/10	250	244
GW 47 176	1/10	250	244
GW 47 177	1/10	250	244
GW 47 177	1/10	250	244
GW 47 178	1/10	360	244
GW 47 178	1/10	360	244
GW 47 179	1/10	420	244
GW 47 179	1/10	420	244
GW 47 181	1/10	480	244
GW 47 182	1/10	240	244
GW 47 183	1/10	240	244
GW 47 186	1/5	60	245
GW 47 187	1/5	80	245
GW 47 191	1/20	2880	246
GW 47 191	1/20	2880	246
GW 47 192	1/10	1440	247
GW 47 192	1/10	1440	247
GW 47 192	1/10	1440	247
GW 47 192	1/10	1440	247
GW 47 193	1/5	300	247
GW 47 193	1/5	300	247
GW 47 194 E	1/20	800	246
GW 47 194 E	1/20	800	246
GW 47 195	10/100	14400	248
GW 47 195	10/100	14400	248
GW 47 197	1/10	1280	240
GW 47 198	1/10	150	250
GW 47 201	1/5	120	306
GW 47 202	1/5	100	306

Code	Quantity		Page
	Pack/carton	Pallet	
GW 47 204	1/5	35	306
GW 47 206	1	32	306
GW 47 207	1	90	306
GW 47 211	10/100	12800	306
GW 47 213	10/100	5000	306
GW 47 215	10/100	28000	306
GW 47 220	10/100	28000	306
GW 47 226	10/100	12800	306
GW 47 228	10/100	5000	306
GW 47 231	10/100	12800	306
GW 47 233	10/100	5000	306
GW 47 246	10/100	12800	306
GW 47 248	10/100	5000	306
GW 47 251	1/10	480	237
GW 47 252	1/10	120	237
GW 47 253	1/10	180	237
GW 47 261	1/5	15	243
GW 47 262	1/5	15	243
GW 47 263	1/5	15	236
GW 47 277	1/5	35	243
GW 47 278	1/5	35	243
GW 47 279	1/5	35	243
GW 47 280	1/5	35	243
GW 47 291	10	800	260
GW 47 291	10	800	260
GW 47 291	10	800	260
GW 47 291	10	800	260
GW 47 291	10	800	260
GW 47 472	1/10	960	276
GW 47 473	1/10	120	276
GW 47 491	1/10	3120	278
GW 47 492	1	312	302
GW 47 494	1	312	278
GW 47 494	1	312	278
GW 47 601	1	32	309
GW 47 602	1	20	309
GW 47 637	1	100	314
GW 47 651	1	500	316
GW 47 652	1	500	316
GW 47 653	1	500	316
GW 47 654	1	500	316
GW 47 655	1	50	316
GW 47 656	1	200	316
GW 47 691	1/5	200	260
GW 47 691	1/5	200	260
GW 47 692	1/5	125	260
GW 47 692	1/5	125	260
GW 47 692	1/5	125	260
GW 47 693	1/5	50	260
GW 47 693	1/5	50	260
GW 47 693	1/5	50	260

GW49

GW 49 001	1	8	279
GW 49 002	1	4	279
GW 49 003	1	2	279
GW 49 004	1	15	279
GW 49 005	1	5	279
GW 49 006	1	5	279
GW 49 007	1	10	279
GW 49 008	1	5	279
GW 49 009	1	4	279
GW 49 011	1	30	279
GW 49 012	1	49	279

Code	Quantity		Page
	Pack/carton	Pallet	
GW 49 021	1	24	280
GW 49 022	1	40	280
GW 49 023	1	20	280
GW 49 024	1	40	280
GW 49 025	1	100	284
GW 49 026	1	150	284
GW 49 031	1	15	281
GW 49 032	1	15	281
GW 49 033	1	15	281
GW 49 034	1	15	281
GW 49 041	1	28	281
GW 49 042	1	14	281
GW 49 043	1	15	281
GW 49 044	1	30	281
GW 49 045	1	15	281
GW 49 046	1	13	281
GW 49 051	1	22	283
GW 49 052	1	22	283
GW 49 053	1	11	283
GW 49 054	1	11	283
GW 49 055	1	9	283
GW 49 056	1	9	283
GW 49 061	1	13	282
GW 49 062	1	13	282
GW 49 063	1	10	282
GW 49 064	1	10	282
GW 49 065	1	8	282
GW 49 066	1	8	282
GW 49 071	1	6	282
GW 49 072	1	6	282
GW 49 073	1	6	282
GW 49 074	1	6	282
GW 49 081	1	13	282
GW 49 082	1	13	282
GW 49 083	1	11	282
GW 49 084	1	12	282
GW 49 085	1	9	282
GW 49 086	1	9	282
GW 49 091	1	26	281
GW 49 092	1	26	281
GW 49 093	1	19	281
GW 49 094	1	26	281
GW 49 095	1	26	281
GW 49 096	1	26	281
GW 49 097	1	42	285
GW 49 098	1	42	285
GW 49 101	1	108	283
GW 49 102	1	150	283
GW 49 103	1	50	283
GW 49 104	1	100	283
GW 49 105	1	200	283
GW 49 106	1	20	283
GW 49 107	1	200	283
GW 49 108	1	100	283
GW 49 111	1	5	284
GW 49 112	1	20	284
GW 49 113	1	20	284
GW 49 114	1	20	284
GW 49 115	1	20	285
GW 49 116	1	4	285
GW 49 117	1	4	285
GW 49 121	1	20	285
GW 49 122	1	50	285
GW 49 123	1	22	285
GW 49 124	1	30	285

Code	Quantity		Page
	Pack/carton	Pallet	
GW 49 131	1	80	301
GW 49 132	1	64	301
GW 49 133	1	48	301
GW 49 134	1	80	301
GW 49 135	1	64	301
GW 49 136	1	48	301
GW 49 137	1	64	301
GW 49 138	1	64	301
GW 49 139	1	48	301
GW 49 140	1	48	301
GW 49 141	1	48	301
GW 49 142	1	48	301
GW 49 146	1	160	286
GW 49 147	1	120	286
GW 49 148	1	72	286
GW 49 149	1	48	286
GW 49 151	1/12	480	307
GW 49 152	1/12	1248	307
GW 49 153	1/12	480	307
GW 49 154	1/12	480	307
GW 49 155	1	40	308
GW 49 156	1/12	480	307
GW 49 157	1/12	480	307
GW 49 158	1/12	480	307
GW 49 159	1/12	480	307
GW 49 160	1	40	308
GW 49 162	1	1100	302
GW 49 163	1	250	300
GW 49 164	1	1100	301
GW 49 167	1	550	302
GW 49 168	1	250	303
GW 49 171	1/12	480	307
GW 49 172	1/12	480	307
GW 49 173	1/12	480	307
GW 49 174	1/12	1440	307
GW 49 175	1/12	480	307
GW 49 176	1/12	1440	307
GW 49 177	1/12	480	307
GW 49 178	1/12	480	307
GW 49 179	1	40	308
GW 49 183	1	72	287
GW 49 184	1	120	287
GW 49 185	1	120	287
GW 49 186	1	72	287
GW 49 187	1	120	287
GW 49 188	1	96	287
GW 49 189	1	64	287
GW 49 190	1	64	287
GW 49 191	1	48	287
GW 49 192	1	64	287
GW 49 193	1	120	287
GW 49 194	1	60	287
GW 49 195	1	80	287
GW 49 196	1	36	287
GW 49 197	1	44	287
GW 49 201	1/4	440	300
GW 49 202	1/4	512	300
GW 49 203	1	250	300
GW 49 207	1	250	300
GW 49 208	1	250	300
GW 49 209	1	250	260
GW 49 209	1	250	260
GW 49 209	1	250	260
GW 49 209	1	250	260
GW 49 209	1	250	260

Code	Quantity		Page
	Pack/carton	Pallet	
GW 49 211	1	150	283
GW 49 212	1	150	283
GW 49 213	1	100	283
GW 49 221	1	200	286
GW 49 222	1	1	286
GW 49 223	1/6	60	286
GW 49 224	1/6	144	286
GW 49 225	1/6	72	286
GW 49 227	1/6	42	286
GW 49 228	1/6	378	286
GW 49 230	1/6	600	286
GW 49 340	1	10	288
GW 49 451	1	120	294
GW 49 452	1	360	294
GW 49 453	1	180	294
GW 49 454	1	120	294
GW 49 455	1	80	294
GW 49 456	1	480	294
GW 49 457	1	288	294
GW 49 458	1	160	294
GW 49 459	1	160	294
GW 49 460	1	80	294
GW 49 461	1	40	294
GW 49 463	1	24	294
GW 49 464	1	20	294
GW 49 465	1	120	294
GW 49 466	1	54	294
GW 49 467	1	24	294
GW 49 468	1	240	295
GW 49 469	1	40	295
GW 49 470	1	400	294
GW 49 471	1	180	294
GW 49 472	1	160	294
GW 49 473	1	120	294
GW 49 474	1	80	294
GW 49 476	1	20	294
GW 49 477	1	20	294
GW 49 478	1	120	294
GW 49 479	1	60	294
GW 49 480	1	32	294
GW 49 481	1	10	294
GW 49 491	1	16	288
GW 49 492	1	28	288
GW 49 493	1	56	288
GW 49 494	1	14	288
GW 49 495	1	14	288
GW 49 496	1	14	288
GW 49 501	1	200	286
GW 49 502	1	288	286
GW 49 503	1	120	308
GW 49 504	1	144	286
GW 49 506	1	180	286
GW 49 507	1	60	308
GW 49 508	1	80	286
GW 49 514	1	160	295
GW 49 515	1	160	295
GW 49 516	1	160	295
GW 49 517	1	160	295
GW 49 518	1	120	295
GW 49 519	1	120	295
GW 49 520	1	120	295
GW 49 521	1	120	295
GW 49 531	1	30	298
GW 49 532	1	48	298
GW 49 534	1	32	298

Quick Reference

Code	Quantity		Page
	Pack/carton	Pallet	
GW 49 535	1	40	298
GW 49 536	1	40	298
GW 49 538	1	16	298
GW 49 539	1	16	298
GW 49 540	1	20	298
GW 49 541	1	20	298
GW 49 543	1	20	298
GW 49 544	1	22	298
GW 49 550	1	550	298
GW 49 551	1	550	298
GW 49 553	1	120	298
GW 49 554	1	0	298
GW 49 555	1	40	298
GW 49 556	1	24	298
GW 49 558	1	40	298
GW 49 561	1	180	298
GW 49 562	1	160	298
GW 49 563	1	80	298
GW 49 564	1	160	298
GW 49 565	1	144	298
GW 49 566	1	160	298
GW 49 567	1	30	299
GW 49 568	1	20	299
GW 49 569	1	10	299
GW 49 570	1	30	299
GW 49 571	1	50	299
GW 49 572	1	80	299
GW 49 573	1	1100	299
GW 49 574	1	42	299
GW 49 575	1	30	299
GW 49 576	1	20	299
GW 49 577	1	20	299
GW 49 578	1	60	298
GW 49 584	1	30	291
GW 49 585	1	30	291
GW 49 586	1	30	291
GW 49 587	1	30	291
GW 49 588	1	22	291
GW 49 589	1	58	291
GW 49 590	1	48	291
GW 49 591	1	1100	313
GW 49 592	1	60	291
GW 49 593	1	48	291
GW 49 594	1	30	291
GW 49 595	1	36	291
GW 49 601	1	77	307
GW 49 602	1	55	307
GW 49 603	1	126	307
GW 49 627	1/12	1680	307
GW 49 628	1/12	864	307
GW 49 629	1/12	1680	307
GW 49 630	1/12	1680	307
GW 49 643	1/12	1680	308
GW 49 644	1/6	840	308
GW 49 646	1/6	1968	308
GW 49 647	1	1100	313
GW 49 648	1	1100	313
GW 49 650	1	240	308
GW 49 651	1	200	311
GW 49 652	1	180	311
GW 49 653	1	80	311
GW 49 654	1	70	311
GW 49 656	1	240	311
GW 49 657	1	90	311
GW 49 658	1	300	311

Code	Quantity		Page
	Pack/carton	Pallet	
GW 49 659	1	108	311
GW 49 660	1	120	311
GW 49 665	1	528	313
GW 49 666	1	264	313
GW 49 667	1	126	313
GW 49 668	1	0	313
GW 49 670	1	72	315
GW 49 671	1	72	315
GW 49 672	1	80	315
GW 49 673	1	550	313
GW 49 674	1	250	313
GW 49 675	1	550	313
GW 49 676	1	80	315
GW 49 677	1	100	314
GW 49 678	1	90	314
GW 49 679	1	55	314
GW 49 680	1	27	314
GW 49 701	1	100	312
GW 49 702	1	150	312
GW 49 703	1	150	312
GW 49 704	1	10	312
GW 49 705	1	180	312
GW 49 706	1	120	312
GW 49 708	1	270	312
GW 49 710	1	200	312
GW 49 711	1	120	312
GW 49 711	1	120	312
GW 49 712	1	180	312
GW 49 713	1	300	312
GW 49 714	1	0	312
GW 49 715	1	120	312
GW 49 716	1	240	312
GW 49 717	1	50	312
GW 49 718	1	128	312
GW 49 720	1	80	316
GW 49 720	1	80	316
GW 49 721	1	90	312
GW 49 722	1	170	312
GW 49 723	1	100	312
GW 49 724	1	0	312
GW 49 725	1	300	312
GW 49 731	1	180	316
GW 49 731	1	180	316
GW 49 732	1	144	316
GW 49 732	1	144	316
GW 49 733	1	108	316
GW 49 733	1	108	316
GW 49 733	1	108	316
GW 49 734	1	120	316
GW 49 734	1	120	316
GW 49 735	1	300	316
GW 49 735	1	300	316
GW 49 736	1	165	316
GW 49 736	1	165	316
GW 49 737	1	110	316
GW 49 737	1	110	316
GW 49 737	1	110	316
GW 49 738	1	180	316
GW 49 738	1	180	316
GW 49 739	1	200	316
GW 49 740	1	80	316
GW 49 741	1	160	316
GW 49 742	1	200	316
GW 49 743	1	0	316
GW 49 744	1	50	316
GW 49 745	1	144	303
GW 49 746	1	120	303

Code	Quantity		Page
	Pack/carton	Pallet	
GW 49 747	1	100	303
GW 49 748	1	300	303
GW 49 749	1	90	316
GW 49 762	1/6	720	304
GW 49 763	1/6	300	304
GW 49 764	1/6	420	304
GW 49 766	1/6	840	304
GW 49 767	1/6	300	304
GW 49 768	1/6	420	304
GW 49 769	1/6	300	304
GW 49 770	1/6	720	304
GW 49 771	1/6	720	304
GW 49 772	1/6	720	304
GW 49 773	1/6	720	304
GW 49 774	1/6	720	304
GW 49 775	1/6	720	304
GW 49 776	1/6	1218	304
GW 49 777	1/6	2100	304
GW 49 778	1/6	2100	304
GW 49 779	1/6	2100	304
GW 49 780	1/6	3216	304
GW 49 781	1/6	3216	304
GW 49 782	1/6	3216	304
GW 49 783	1/6	3216	304
GW 49 784	1/6	720	305
GW 49 788	1/6	546	305
GW 49 789	1/6	546	305
GW 49 792	1/6	300	305
GW 49 793	1/6	300	305
GW 49 794	1/6	300	305
GW 49 795	1/6	300	305
GW 49 797	1	77	305
GW 49 798	1/6	330	305
GW 49 801	1	100	296
GW 49 805	1	80	296
GW 49 806	1	40	296
GW 49 807	1	30	296
GW 49 808	1	20	296
GW 49 809	1	64	296
GW 49 810	1	20	296
GW 49 811	1	6	296
GW 49 812	1	60	296
GW 49 813	1	40	296
GW 49 814	1	30	296
GW 49 815	1	16	296
GW 49 816	1	48	296
GW 49 817	1	15	296
GW 49 818	1	4	296
GW 49 819	1	120	296
GW 49 823	1	120	296
GW 49 824	1	80	296
GW 49 825	1	60	296
GW 49 826	1	30	296
GW 49 827	1	50	296
GW 49 828	1	23	296
GW 49 829	1	23	296
GW 49 830	1	15	297
GW 49 831	1	15	297
GW 49 832	1	50	298
GW 49 833	1	48	298
GW 49 834	1	60	298
GW 49 851	1	60	297
GW 49 852	1	40	297
GW 49 853	1	30	297
GW 49 854	1	40	297

Code	Quantity		Page
	Pack/carton	Pallet	
GW 49 855	1	20	297
GW 49 926	1	16	290
GW 49 927	1	88	290
GW 49 928	1	80	290
GW 49 929	1	40	290
GW 49 930	1	52	290
GW 49 931	1	52	290
GW 49 932	1	30	290
GW 49 933	1	40	290
GW 49 934	1	42	290
GW 49 935	1	28	290
GW 49 996	1	28	298
GW 49 997	1	28	298
GW 49 998	1	38	298
GW 49 999	1	38	298

GW72			
GW 72 101	10/100	10000	88
GW 72 103	10/30	3000	88
GW 72 104	10/100	10000	88
GW 72 105	10/100	10000	88
GW 72 107	10/100	10000	88
GW 72 108	10/100	10000	88
GW 72 109	10/100	10000	88
GW 72 110	10/100	10000	88
GW 72 111	10/100	19500	88
GW 72 112	10/100	19500	88
GW 72 113	10/100	19500	88
GW 72 114	10/100	19500	88
GW 72 115	10/100	19500	88
GW 72 116	10/100	19500	88
GW 72 117	10/100	19500	88
GW 72 121	10/100	19500	88
GW 72 122	10/100	19500	88
GW 72 123	10/100	19500	88
GW 72 124	10/100	4000	88
GW 72 131	10	32000	115
GW 72 131	10	32000	115
GW 72 132	10	32000	115
GW 72 132	10	32000	115
GW 72 133	10	32000	115
GW 72 133	10	32000	115
GW 72 134	10	32000	115
GW 72 134	10	32000	115
GW 72 135	10	32000	115
GW 72 135	10	32000	115
GW 72 136	10	32000	115
GW 72 136	10	32000	115

GW90			
GW 90 005	6/24	1536	37
GW 90 006	6/24	1536	37
GW 90 007	6/24	1536	37
GW 90 008	6/24	1536	37
GW 90 009	6/24	1536	37
GW 90 010	6/24	1536	37
GW 90 011	6/24	0	37
GW 90 022	6/24	1536	37
GW 90 025	6/24	3840	37
GW 90 026	6/24	3840	37
GW 90 027	6/24	3840	37
GW 90 028	6/24	3840	37
GW 90 029	6/24	3840	37
GW 90 030	6/24	2304	37
GW 90 031	6/24	1536	37

Code	Quantity		Page
	Pack/carton	Pallet	
GW 90 045	6/24	2304	37
GW 90 046	6/24	3840	37
GW 90 047	6/24	3840	37
GW 90 048	6/24	1536	37
GW 90 049	6/24	1536	37
GW 90 050	6/24	1536	37
GW 90 051	6/24	1536	37
GW 90 065	3/12	768	37
GW 90 066	3/12	768	37
GW 90 067	3/12	768	37
GW 90 068	3/12	768	37
GW 90 069	3/12	768	37
GW 90 070	3/12	768	37
GW 90 071	3/12	768	37
GW 90 085	3/12	768	37
GW 90 086	3/12	768	37
GW 90 087	3/12	768	37
GW 90 088	3/12	768	37
GW 90 089	3/12	768	37
GW 90 090	3/12	768	37
GW 90 091	3/12	0	37
GW 90 225	6/24	2304	38
GW 90 226	6/24	3840	38
GW 90 227	6/24	3840	38
GW 90 228	6/24	2304	38
GW 90 229	6/24	2304	38
GW 90 230	6/24	1536	38
GW 90 231	6/24	1536	38
GW 90 245	6/24	2304	38
GW 90 246	6/24	3840	38
GW 90 247	6/24	3840	38
GW 90 248	6/24	1536	38
GW 90 249	6/24	1536	38
GW 90 250	6/24	1536	38
GW 90 251	6/24	1536	38
GW 90 265	3/12	768	38
GW 90 266	3/12	768	38
GW 90 267	3/12	1152	38
GW 90 268	3/12	384	38
GW 90 269	3/12	768	38
GW 90 270	3/12	768	38
GW 90 271	3/12	768	38
GW 90 285	3/12	768	38
GW 90 286	3/12	768	38
GW 90 287	3/12	1152	38
GW 90 288	3/12	768	38
GW 90 289	3/12	768	38
GW 90 290	3/12	1152	38
GW 90 291	3/12	768	38
GW 90 325	6/24	1536	39
GW 90 326	6/24	1536	39
GW 90 327	6/24	1536	39
GW 90 328	6/24	3840	39
GW 90 329	6/24	1536	39
GW 90 330	6/24	1536	39
GW 90 331	6/24	1536	39
GW 90 345	6/24	0	39
GW 90 346	6/24	0	39
GW 90 347	6/24	0	39
GW 90 348	6/24	1536	39
GW 90 349	6/24	1152	39
GW 90 350	6/24	1536	39
GW 90 351	6/24	1536	39
GW 90 425	6/24	1536	39
GW 90 426	6/24	1536	39

Code	Quantity		Page
	Pack/carton	Pallet	
GW 90 427	6/24	1536	39
GW 90 428	6/24	1536	39
GW 90 429	6/24	1536	39
GW 90 430	6/24	1536	39
GW 90 431	6/24	864	39
GW 90 445	6/24	1536	39
GW 90 446	6/24	2304	39
GW 90 447	6/24	1536	39
GW 90 448	6/24	1536	39
GW 90 449	6/24	1536	39
GW 90 450	6/24	1536	39
GW 90 451	6/24	1536	39
GW 90 602	6/24	2304	37
GW 90 605	6/24	2304	37
GW 90 606	6/24	3840	37
GW 90 607	6/24	3840	37
GW 90 608	6/24	3840	37
GW 90 609	6/24	1536	37
GW 90 610	6/24	3840	37
GW 90 876	1/5	960	107
GW 90 893	1/4	220	35
GW 90 896	1/4	168	35
GW 90 901 N	1/4	216	31
GW 90 902 N	1/4	216	31
GW 90 911	1/4	132	31
GW 90 912	1/4	0	31
GW 90 913	1/4	132	31
GW 90 921	1/2	96	32
GW 90 922	1/2	160	32
GW 90 923	1/2	160	32
GW 90 927	1/2	96	32
GW 90 928	1/2	160	32
GW 90 929	1/2	96	32
GW 90 966	1/4	220	33
GW 90 967	1/4	220	80
GW 90 968	1/4	184	33
GW 90 969	1/4	184	80
GW 90 986	1/4	216	35
GW 90 988	1/4	108	35
GW 90 992	1	280	36

GW92			
GW 92 001	6/24	1536	42
GW 92 002	6/24	2304	42
GW 92 003	6/24	1536	42
GW 92 004	6/24	2304	42
GW 92 005	6/24	3840	42
GW 92 006	6/24	3840	42
GW 92 007	6/24	3840	42
GW 92 008	6/24	3840	42
GW 92 009	6/24	3840	42
GW 92 010	6/24	3840	42
GW 92 011	6/24	3840	42
GW 92 012	6/24	3840	42
GW 92 013	6/24	3840	42
GW 92 014	6/24	1536	42
GW 92 021	3/12	768	42
GW 92 022	3/12	768	42
GW 92 023	3/12	768	42
GW 92 024	3/12	768	42
GW 92 025	3/12	1152	42
GW 92 026	3/12	1920	42
GW 92 027	3/12	1920	42
GW 92 028	3/12	1920	42
GW 92 029	3/12	1920	42

Quick Reference

Code	Quantity		Page	Code	Quantity		Page	Code	Quantity		Page
	Pack/carton	Pallet			Pack/carton	Pallet			Pack/carton	Pallet	
GW 92 030	3/12	1920	42	GW 92 147	3/12	768	40	GW 92 308	6/24	3840	41
GW 92 031	3/12	1920	42	GW 92 148	3/12	768	40	GW 92 309	6/24	3840	41
GW 92 032	3/12	1920	42	GW 92 149	3/12	768	40	GW 92 310	6/24	3840	41
GW 92 033	3/12	1920	42	GW 92 150	3/12	768	40	GW 92 311	6/24	3840	41
GW 92 034	3/12	768	42	GW 92 151	3/12	768	40	GW 92 312	6/24	1536	41
GW 92 041	3/12	768	42	GW 92 152	3/12	768	40	GW 92 325	3/12	0	41
GW 92 042	3/12	768	42	GW 92 165	2/8	512	40	GW 92 326	3/12	768	41
GW 92 043	3/12	768	42	GW 92 166	2/8	512	40	GW 92 327	3/12	0	41
GW 92 044	3/12	768	42	GW 92 167	2/8	512	40	GW 92 328	3/12	0	41
GW 92 045	3/12	1152	42	GW 92 168	2/8	1280	40	GW 92 329	3/12	768	41
GW 92 046	3/12	1920	42	GW 92 169	2/8	1280	40	GW 92 330	3/12	768	41
GW 92 047	3/12	1920	42	GW 92 170	2/8	1280	40	GW 92 331	3/12	768	41
GW 92 048	3/12	1920	42	GW 92 171	2/8	768	40	GW 92 332	3/12	768	41
GW 92 049	3/12	1920	42	GW 92 172	2/8	768	40	GW 92 345	3/12	768	41
GW 92 050	3/12	1920	42	GW 92 185	1/3	348	40	GW 92 346	3/12	768	41
GW 92 051	3/12	1152	42	GW 92 186	1/3	348	40	GW 92 347	3/12	0	41
GW 92 052	3/12	1920	42	GW 92 187	1/3	348	40	GW 92 348	3/12	768	41
GW 92 053	3/12	1920	42	GW 92 188	1/3	348	40	GW 92 349	3/12	768	41
GW 92 054	3/12	768	42	GW 92 189	1/3	348	40	GW 92 350	3/12	768	41
GW 92 061	2/8	512	42	GW 92 190	1/3	348	40	GW 92 351	3/12	768	41
GW 92 062	2/8	512	42	GW 92 191	1/3	522	40	GW 92 352	3/12	768	41
GW 92 063	2/8	512	42	GW 92 192	1/3	348	40	GW 92 365	2/8	0	41
GW 92 064	2/8	512	42	GW 92 205	6/24	2304	44	GW 92 366	2/8	512	41
GW 92 065	2/8	512	42	GW 92 206	6/24	3840	44	GW 92 367	2/8	0	41
GW 92 066	2/8	1280	42	GW 92 207	6/24	3840	44	GW 92 368	2/8	256	41
GW 92 067	2/8	1280	42	GW 92 208	6/24	3840	44	GW 92 369	2/8	512	41
GW 92 068	2/8	1280	42	GW 92 209	6/24	3840	44	GW 92 370	2/8	512	41
GW 92 069	2/8	1280	42	GW 92 210	6/24	3840	44	GW 92 371	2/8	512	41
GW 92 070	2/8	1280	42	GW 92 211	6/24	3840	44	GW 92 372	2/8	512	41
GW 92 071	2/8	1280	42	GW 92 212	6/24	1536	44	GW 92 385	1/3	348	41
GW 92 072	2/8	1280	42	GW 92 213	6/24	2304	44	GW 92 386	1/3	348	41
GW 92 073	2/8	1280	42	GW 92 214	6/24	1536	44	GW 92 387	1/3	348	41
GW 92 074	2/8	512	42	GW 92 245	3/12	768	44	GW 92 388	1/3	348	41
GW 92 081	1/3	348	42	GW 92 246	3/12	768	44	GW 92 389	1/3	348	41
GW 92 082	1/3	348	42	GW 92 247	3/12	768	44	GW 92 390	1/3	348	41
GW 92 083	1/3	348	42	GW 92 248	3/12	768	44	GW 92 391	1/3	348	41
GW 92 084	1/3	348	42	GW 92 249	3/12	768	44	GW 92 392	1/3	348	41
GW 92 085	1/3	261	42	GW 92 250	3/12	768	44	GW 92 405	6/24	1536	45
GW 92 086	1/3	609	42	GW 92 251	3/12	768	44	GW 92 406	6/24	1536	45
GW 92 087	1/3	912	42	GW 92 252	3/12	768	44	GW 92 407	6/24	1536	45
GW 92 088	1/3	880	42	GW 92 253	3/12	768	44	GW 92 408	6/24	1536	45
GW 92 089	1/3	912	42	GW 92 254	3/12	768	44	GW 92 409	6/24	1536	45
GW 92 090	1/3	960	42	GW 92 265	2/8	512	44	GW 92 410	6/24	1536	45
GW 92 091	1/3	912	42	GW 92 266	2/8	512	44	GW 92 411	6/24	1536	45
GW 92 092	1/3	912	42	GW 92 267	2/8	1280	44	GW 92 414	6/24	1536	45
GW 92 093	1/3	912	42	GW 92 268	2/8	512	44	GW 92 445	3/12	768	45
GW 92 094	1/3	348	42	GW 92 269	2/8	768	44	GW 92 446	3/12	768	45
GW 92 105	6/24	2304	40	GW 92 270	2/8	768	44	GW 92 447	3/12	768	45
GW 92 106	6/24	3840	40	GW 92 271	2/8	512	44	GW 92 448	3/12	768	45
GW 92 107	6/24	1536	40	GW 92 272	2/8	512	44	GW 92 449	3/12	768	45
GW 92 108	6/24	3840	40	GW 92 273	2/8	512	44	GW 92 450	3/12	768	45
GW 92 109	6/24	3840	40	GW 92 274	2/8	512	44	GW 92 451	3/12	768	45
GW 92 110	6/24	3840	40	GW 92 285	1/3	609	44	GW 92 454	3/12	0	45
GW 92 111	6/24	3840	40	GW 92 286	1/3	348	44	GW 92 465	2/8	512	45
GW 92 112	6/24	3840	40	GW 92 287	1/3	609	44	GW 92 466	2/8	512	45
GW 92 125	3/12	768	40	GW 92 288	1/3	348	44	GW 92 467	2/8	512	45
GW 92 126	3/12	1920	40	GW 92 289	1/3	348	44	GW 92 468	2/8	512	45
GW 92 127	3/12	768	40	GW 92 290	1/3	348	44	GW 92 469	2/8	512	45
GW 92 128	3/12	1920	40	GW 92 291	1/3	348	44	GW 92 470	2/8	512	45
GW 92 129	3/12	768	40	GW 92 292	1/3	348	44	GW 92 471	2/8	512	45
GW 92 130	3/12	768	40	GW 92 293	1/3	348	44	GW 92 474	2/8	0	45
GW 92 131	3/12	768	40	GW 92 294	1/3	348	44	GW 92 485	1/3	348	45
GW 92 132	3/12	768	40	GW 92 305	6/24	1536	41	GW 92 486	1/3	348	45
GW 92 145	3/12	768	40	GW 92 306	6/24	3840	41	GW 92 487	1/3	348	45
GW 92 146	3/12	768	40	GW 92 307	6/24	1536	41	GW 92 488	1/3	348	45

Code	Quantity		Page
	Pack/carton	Pallet	
GW 92 489	1/3	348	45
GW 92 490	1/3	348	45
GW 92 491	1/3	348	45
GW 92 494	1/3	348	45
GW 92 505	6/24	1536	47
GW 92 506	6/24	2304	47
GW 92 507	6/24	1536	47
GW 92 508	6/24	3840	47
GW 92 509	6/24	2304	47
GW 92 510	6/24	1536	47
GW 92 511	6/24	3840	47
GW 92 512	6/24	1536	47
GW 92 513	6/24	1536	47
GW 92 514	6/24	1536	47
GW 92 545	3/12	0	47
GW 92 546	3/12	768	47
GW 92 547	3/12	768	47
GW 92 548	3/12	768	47
GW 92 549	3/12	768	47
GW 92 550	3/12	768	47
GW 92 551	3/12	768	47
GW 92 552	3/12	768	47
GW 92 553	3/12	768	47
GW 92 554	3/12	768	47
GW 92 565	2/8	512	47
GW 92 566	2/8	512	47
GW 92 567	2/8	512	47
GW 92 568	2/8	768	47
GW 92 569	2/8	512	47
GW 92 570	2/8	512	47
GW 92 571	2/8	512	47
GW 92 572	2/8	512	47
GW 92 573	2/8	512	47
GW 92 574	2/8	512	47
GW 92 585	1/3	348	47
GW 92 586	1/3	348	47
GW 92 587	1/3	348	47
GW 92 588	1/3	348	47
GW 92 589	1/3	348	47
GW 92 590	1/3	348	47
GW 92 591	1/3	348	47
GW 92 592	1/3	348	47
GW 92 593	1/3	348	47
GW 92 594	1/3	348	47
GW 92 605	6/24	1536	46
GW 92 606	6/24	2304	46
GW 92 607	6/24	3840	46
GW 92 608	6/24	3840	46
GW 92 609	6/24	1536	46
GW 92 610	6/24	1536	46
GW 92 611	6/24	1536	46
GW 92 612	6/24	1536	46
GW 92 613	6/24	1536	46
GW 92 614	6/24	1536	46
GW 92 645	3/12	768	46
GW 92 646	3/12	768	46
GW 92 647	3/12	1152	46
GW 92 648	3/12	768	46
GW 92 649	3/12	768	46
GW 92 650	3/12	768	46
GW 92 651	3/12	768	46
GW 92 652	3/12	768	46
GW 92 653	3/12	768	46
GW 92 654	3/12	768	46
GW 92 665	2/8	512	46

Code	Quantity		Page
	Pack/carton	Pallet	
GW 92 666	2/8	512	46
GW 92 667	2/8	768	46
GW 92 668	2/8	768	46
GW 92 669	2/8	512	46
GW 92 670	2/8	768	46
GW 92 671	2/8	512	46
GW 92 672	2/8	512	46
GW 92 673	2/8	512	46
GW 92 674	2/8	512	46
GW 92 685	1/3	348	46
GW 92 686	1/3	348	46
GW 92 687	1/3	348	46
GW 92 688	1/3	348	46
GW 92 689	1/3	348	46
GW 92 690	1/3	609	46
GW 92 691	1/3	348	46
GW 92 692	1/3	348	46
GW 92 693	1/3	348	46
GW 92 694	1/3	348	46
GW 92 701	6/24	1536	48
GW 92 702	6/24	1536	48
GW 92 703	6/24	1536	48
GW 92 704	6/24	1536	48
GW 92 705	6/24	1536	48
GW 92 706	6/24	1536	48
GW 92 707	6/24	1536	48
GW 92 708	6/24	1536	48
GW 92 709	6/24	1536	48
GW 92 710	6/24	1536	48
GW 92 711	6/24	1536	48
GW 92 714	6/24	0	48
GW 92 741	3/12	768	48
GW 92 742	3/12	768	48
GW 92 743	3/12	768	48
GW 92 744	3/12	768	48
GW 92 745	3/12	768	48
GW 92 746	3/12	768	48
GW 92 747	3/12	768	48
GW 92 748	3/12	768	48
GW 92 749	3/12	768	48
GW 92 750	3/12	768	48
GW 92 751	3/12	768	48
GW 92 754	3/12	0	48
GW 92 761	2/8	512	48
GW 92 762	2/8	512	48
GW 92 763	2/8	512	48
GW 92 764	2/8	512	48
GW 92 765	2/8	512	48
GW 92 766	2/8	512	48
GW 92 767	2/8	512	48
GW 92 768	2/8	512	48
GW 92 769	2/8	512	48
GW 92 770	2/8	512	48
GW 92 771	2/8	512	48
GW 92 774	2/8	0	48
GW 92 781	1/3	348	48
GW 92 782	1/3	348	48
GW 92 783	1/3	348	48
GW 92 784	1/3	348	48
GW 92 785	1/3	348	48
GW 92 786	1/3	348	48
GW 92 787	1/3	348	48
GW 92 788	1/3	348	48
GW 92 789	1/3	348	48
GW 92 790	1/3	348	48

Code	Quantity		Page
	Pack/carton	Pallet	
GW 92 791	1/3	348	48
GW 92 794	1/3	348	48
GW 92 805	6/24	1536	49
GW 92 806	6/24	1536	49
GW 92 807	6/24	1536	49
GW 92 808	6/24	1536	49
GW 92 809	6/24	1536	49
GW 92 810	6/24	1536	49
GW 92 811	6/24	1536	49
GW 92 812	6/24	1536	49
GW 92 813	6/24	1536	49
GW 92 845	3/12	768	49
GW 92 846	3/12	768	49
GW 92 847	3/12	768	49
GW 92 848	3/12	768	49
GW 92 849	3/12	768	49
GW 92 850	3/12	768	49
GW 92 851	3/12	768	49
GW 92 852	3/12	768	49
GW 92 853	3/12	768	49
GW 92 865	2/8	512	49
GW 92 866	2/8	512	49
GW 92 867	2/8	512	49
GW 92 868	2/8	512	49
GW 92 869	2/8	512	49
GW 92 870	2/8	512	49
GW 92 871	2/8	512	49
GW 92 872	2/8	512	49
GW 92 873	2/8	512	49
GW 92 885	1/3	348	49
GW 92 886	1/3	348	49
GW 92 887	1/3	348	49
GW 92 888	1/3	348	49
GW 92 889	1/3	348	49
GW 92 890	1/3	348	49
GW 92 891	1/3	348	49
GW 92 892	1/3	348	49
GW 92 893	1/3	348	49
GW93			
GW 93 201	1/12	768	51
GW 93 202	1/12	768	51
GW 93 203	1/12	768	51
GW 93 204	1/12	768	51
GW 93 205	1/12	768	51
GW 93 206	1/12	768	51
GW 93 221	1/8	224	51
GW 93 222	1/8	224	51
GW 93 223	1/8	224	51
GW 93 224	1/8	224	51
GW 93 225	1/8	224	51
GW 93 226	1/8	224	51
GW 93 231	1/4	120	51
GW 93 232	1/4	120	51
GW 93 233	1/4	120	51
GW 93 234	1/4	120	51
GW 93 235	1/4	120	51
GW 93 236	1/4	120	51
GW 93 241	1/4	120	51
GW 93 242	1/4	120	51
GW 93 243	1/4	120	51
GW 93 244	1/4	120	51
GW 93 245	1/4	120	51
GW 93 246	1/4	120	51
GW 93 307	1/12	768	50

Quick Reference

Code	Quantity		Page
	Pack/carton	Pallet	
GW 93 308	1/12	384	50
GW 93 309	1/12	768	50
GW 93 327	1/8	336	50
GW 93 328	1/8	336	50
GW 93 329	1/8	224	50
GW 93 337	1/4	240	50
GW 93 338	1/4	240	50
GW 93 339	1/4	240	50
GW 93 347	1/4	240	50
GW 93 348	1/4	240	50
GW 93 349	1/4	240	50
GW 93 356	1/12	768	50
GW 93 357	1/12	768	50
GW 93 358	1/12	768	50
GW 93 376	1/8	224	50
GW 93 377	1/8	224	50
GW 93 378	1/8	224	50
GW 93 386	1/4	120	50
GW 93 387	1/4	120	50
GW 93 388	1/4	120	50
GW 93 396	1/4	120	50
GW 93 397	1/4	120	50
GW 93 398	1/4	120	50

GW94			
Code	Pack/carton	Pallet	Page
GW 94 005	1/6	696	52
GW 94 006	1/6	1218	52
GW 94 007	1/6	1218	52
GW 94 008	1/6	1218	52
GW 94 009	1/6	1218	52
GW 94 010	1/6	1218	52
GW 94 011	1/6	696	52
GW 94 015	1/6	696	52
GW 94 016	1/6	696	52
GW 94 017	1/6	696	52
GW 94 018	1/6	696	52
GW 94 019	1/6	696	52
GW 94 020	1/6	696	52
GW 94 025	1/6	696	52
GW 94 026	1/6	1218	52
GW 94 027	1/6	1218	52
GW 94 028	1/6	696	52
GW 94 029	1/6	696	52
GW 94 030	1/6	696	52
GW 94 031	1/6	696	52
GW 94 035	1/6	696	52
GW 94 036	1/6	696	52
GW 94 037	1/6	696	52
GW 94 038	1/6	696	52
GW 94 039	1/6	696	52
GW 94 040	1/6	696	52
GW 94 045	1/4	464	52
GW 94 046	1/4	464	52
GW 94 047	1/4	464	52
GW 94 048	1/4	464	52
GW 94 049	1/4	464	52
GW 94 050	1/4	464	52
GW 94 051	1/4	464	52
GW 94 055	1/4	464	52
GW 94 056	1/4	464	52
GW 94 057	1/4	464	52
GW 94 058	1/4	464	52
GW 94 059	1/4	464	52
GW 94 060	1/4	464	52
GW 94 065	1/3	348	52

Code	Quantity		Page
	Pack/carton	Pallet	
GW 94 066	1/3	348	52
GW 94 067	1/3	348	52
GW 94 068	1/3	348	52
GW 94 069	1/3	348	52
GW 94 070	1/3	348	52
GW 94 071	1/3	348	52
GW 94 075	1/3	348	52
GW 94 076	1/3	348	52
GW 94 077	1/3	348	52
GW 94 078	1/3	348	52
GW 94 079	1/3	348	52
GW 94 080	1/3	348	52
GW 94 105	1/6	696	55
GW 94 106	1/6	696	55
GW 94 107	1/6	696	55
GW 94 108	1/6	696	55
GW 94 109	1/6	696	55
GW 94 110	1/6	696	55
GW 94 111	1/6	696	55
GW 94 115	1/6	696	55
GW 94 116	1/6	696	55
GW 94 117	1/6	696	55
GW 94 118	1/6	696	55
GW 94 119	1/6	696	55
GW 94 120	1/6	696	55
GW 94 125	1/6	696	55
GW 94 126	1/6	1218	55
GW 94 127	1/6	1218	55
GW 94 128	1/6	696	55
GW 94 129	1/6	696	55
GW 94 130	1/6	696	55
GW 94 131	1/6	696	55
GW 94 135	1/6	696	55
GW 94 136	1/6	696	55
GW 94 137	1/6	696	55
GW 94 138	1/6	696	55
GW 94 139	1/6	696	55
GW 94 140	1/6	696	55
GW 94 145	1/4	464	55
GW 94 146	1/4	464	55
GW 94 147	1/4	464	55
GW 94 148	1/4	464	55
GW 94 149	1/4	464	55
GW 94 150	1/4	464	55
GW 94 151	1/4	464	55
GW 94 155	1/4	464	55
GW 94 156	1/4	464	55
GW 94 157	1/4	464	55
GW 94 158	1/4	464	55
GW 94 159	1/4	464	55
GW 94 160	1/4	464	55
GW 94 165	1/3	348	55
GW 94 166	1/3	348	55
GW 94 167	1/3	609	55
GW 94 168	1/3	348	55
GW 94 169	1/3	348	55
GW 94 170	1/3	348	55
GW 94 171	1/3	348	55
GW 94 175	1/3	348	55
GW 94 176	1/3	348	55
GW 94 177	1/3	348	55
GW 94 178	1/3	348	55
GW 94 179	1/3	348	55
GW 94 180	1/3	348	55
GW 94 205	1/6	696	54

Code	Quantity		Page
	Pack/carton	Pallet	
GW 94 206	1/6	696	54
GW 94 207	1/6	696	54
GW 94 208	1/6	696	54
GW 94 209	1/6	696	54
GW 94 210	1/6	696	54
GW 94 211	1/6	696	54
GW 94 215	1/6	696	54
GW 94 216	1/6	696	54
GW 94 217	1/6	696	54
GW 94 218	1/6	696	54
GW 94 219	1/6	696	54
GW 94 220	1/6	696	54
GW 94 225	1/6	696	54
GW 94 225 R	1/4	120	34
GW 94 226	1/6	696	54
GW 94 226 R	1/4	180	34
GW 94 227	1/6	696	54
GW 94 227 R	1/4	240	34
GW 94 228	1/6	696	54
GW 94 228 R	1/4	256	34
GW 94 229	1/6	696	54
GW 94 229 R	1/4	300	34
GW 94 230	1/6	696	54
GW 94 230 R	1/4	120	34
GW 94 231	1/6	696	54
GW 94 231 R	1/4	384	34
GW 94 235	1/6	696	54
GW 94 236	1/6	696	54
GW 94 237	1/6	696	54
GW 94 238	1/6	696	54
GW 94 239	1/6	696	54
GW 94 240	1/6	696	54
GW 94 245	1/4	464	54
GW 94 246	1/4	464	54
GW 94 247	1/4	464	54
GW 94 248	1/4	464	54
GW 94 249	1/4	464	54
GW 94 250	1/4	464	54
GW 94 251	1/4	464	54
GW 94 255	1/4	464	54
GW 94 256	1/4	464	54
GW 94 257	1/4	464	54
GW 94 258	1/4	464	54
GW 94 259	1/4	464	54
GW 94 260	1/4	464	54
GW 94 265	1/3	348	54
GW 94 266	1/3	348	54
GW 94 267	1/3	348	54
GW 94 268	1/3	348	54
GW 94 269	1/3	348	54
GW 94 270	1/3	348	54
GW 94 271	1/3	348	54
GW 94 275	1/3	348	54
GW 94 276	1/3	348	54
GW 94 277	1/3	348	54
GW 94 278	1/3	348	54
GW 94 279	1/3	348	54
GW 94 280	1/3	348	54
GW 94 305	1/6	696	56
GW 94 306	1/6	696	56
GW 94 307	1/6	1218	56
GW 94 308	1/6	696	56
GW 94 309	1/6	696	56
GW 94 310	1/6	696	56
GW 94 311	1/6	696	56

Code	Quantity		Page
	Pack/carton	Pallet	
GW 94 315	1/6	696	56
GW 94 316	1/6	696	56
GW 94 317	1/6	696	56
GW 94 318	1/6	696	56
GW 94 319	1/6	696	56
GW 94 320	1/6	696	56
GW 94 325	1/6	696	56
GW 94 325 P	1/4	112	34
GW 94 325 R	1/4	120	34
GW 94 326	1/6	696	56
GW 94 326 P	1/4	120	34
GW 94 326 R	1/4	240	34
GW 94 327	1/6	696	56
GW 94 327 P	1/4	112	34
GW 94 327 R	1/4	812	34
GW 94 328	1/6	696	56
GW 94 328 P	1/4	112	34
GW 94 328 R	1/4	120	34
GW 94 329	1/6	696	56
GW 94 329 P	1/4	120	34
GW 94 329 R	1/4	180	34
GW 94 330	1/6	696	56
GW 94 330 P	1/4	168	34
GW 94 330 R	1/4	120	34
GW 94 331	1/6	696	56
GW 94 331 P	1/4	464	34
GW 94 331 R	1/4	0	34
GW 94 335	1/6	696	56
GW 94 335 P	1/4	464	34
GW 94 336	1/6	696	56
GW 94 336 P	1/4	112	34
GW 94 337	1/6	696	56
GW 94 337 P	1/4	112	34
GW 94 338	1/6	696	56
GW 94 338 P	1/4	120	34
GW 94 339	1/6	696	56
GW 94 339 P	1/4	112	34
GW 94 340	1/6	696	56
GW 94 340 P	1/4	112	34
GW 94 345	1/4	464	56
GW 94 346	1/4	464	56
GW 94 347	1/4	464	56
GW 94 348	1/4	464	56
GW 94 349	1/4	464	56
GW 94 350	1/4	464	56
GW 94 351	1/4	464	56
GW 94 355	1/4	464	56
GW 94 356	1/4	464	56
GW 94 357	1/4	464	56
GW 94 358	1/4	464	56
GW 94 359	1/4	464	56
GW 94 360	1/4	464	56
GW 94 365	1/3	348	56
GW 94 366	1/3	348	56
GW 94 367	1/3	609	56
GW 94 368	1/3	348	56
GW 94 369	1/3	348	56
GW 94 370	1/3	348	56
GW 94 371	1/3	348	56
GW 94 375	1/3	348	56
GW 94 376	1/3	348	56
GW 94 377	1/3	348	56
GW 94 378	1/3	348	56
GW 94 379	1/3	348	56
GW 94 380	1/3	348	56

Code	Quantity		Page
	Pack/carton	Pallet	
GW 94 401	1/2	216	64
GW 94 402	1/2	468	64
GW 94 403	1/2	432	64
GW 94 404	1/2	288	64
GW 94 412	1/2	216	64
GW 94 413	1/2	216	64
GW 94 414	1/2	288	64
GW 94 422	1/2	252	64
GW 94 423	1/2	228	64
GW 94 424	1/2	152	64
GW 94 432	1/2	252	64
GW 94 433	1/2	258	64
GW 94 434	1/2	152	64
GW 94 442	1/2	192	64
GW 94 443	1/2	192	64
GW 94 444	1/2	192	64
GW 94 448	1/2	192	64
GW 94 449	1/2	192	64
GW 94 450	1/2	192	64
GW 94 502	1/2	432	65
GW 94 503	1/2	288	65
GW 94 504	1/2	288	65
GW 94 512	1/2	288	65
GW 94 513	1/2	288	65
GW 94 514	1/2	288	65
GW 94 522	1/2	152	65
GW 94 523	1/2	152	65
GW 94 524	1/2	152	65
GW 94 532	1/2	152	65
GW 94 533	1/2	152	65
GW 94 534	1/2	152	65
GW 94 542	1/2	192	65
GW 94 543	1/2	192	65
GW 94 544	1/2	192	65
GW 94 547	1/2	192	65
GW 94 548	1/2	192	65
GW 94 549	1/2	192	65
GW 94 552	1/3	348	70
GW 94 554	1/3	348	70
GW 94 557	1/3	348	70
GW 94 559	1/3	348	70
GW 94 563	1/2	432	65
GW 94 565	1/2	288	65
GW 94 566	1/2	216	65
GW 94 583	1/2	228	65
GW 94 585	1/2	152	65
GW 94 586	1/2	192	65
GW 94 595	1/2	288	65
GW 94 598	1/2	192	65
GW 94 600	1/2	192	65
GW 94 616	1/4	640	68
GW 94 617	1/4	1120	68
GW 94 618	1/4	640	68
GW 94 619	1/4	960	68
GW 94 627	1/4	1120	68
GW 94 628	1/4	640	68
GW 94 629	1/4	640	68
GW 94 630	1/4	640	68
GW 94 637	1/3	348	68
GW 94 639	1/3	348	68
GW 94 647	1/3	609	68
GW 94 649	1/3	348	68
GW 94 662	1/4	464	75
GW 94 662	1/4	464	75
GW 94 664	1/4	464	75

Code	Quantity		Page
	Pack/carton	Pallet	
GW 94 664	1/4	464	75
GW 94 667	1/4	812	75
GW 94 667	1/4	812	75
GW 94 668	1/4	640	75
GW 94 668	1/4	640	75
GW 94 669	1/4	464	75
GW 94 670	1/4	464	75
GW 94 670	1/4	464	75
GW 94 697	1/3	609	68
GW 94 698	1/3	348	68
GW 94 699	1/3	348	68
GW 94 707	1/3	609	68
GW 94 708	1/3	348	68
GW 94 709	1/3	609	68
GW 94 710	1/3	348	68
GW 94 717	1/3	522	68
GW 94 719	1/3	348	68
GW 94 727	1/3	348	68
GW 94 728	1/3	348	68
GW 94 737	1/3	348	68
GW 94 739	1/3	348	68
GW 94 757	1/3	522	68
GW 94 758	1/3	348	68
GW 94 759	1/3	348	68
GW 94 760	1/3	348	68
GW 94 761	1/3	348	68
GW 94 766	1/3	348	68
GW 94 771	1/3	348	68
GW 94 777	1/3	348	68
GW 94 778	1/3	348	68
GW 94 779	1/3	348	68
GW 94 780	1/3	348	68
GW 94 789	1/4	640	68
GW 94 790	1/4	1120	68
GW 94 791	1/4	1120	68
GW 94 792	1/4	640	68
GW 94 793	1/4	640	68
GW 94 794	1/4	1120	68
GW 94 795	1/4	640	68
GW 94 816	1/4	640	70
GW 94 817	1/4	1120	70
GW 94 817 P	1/4	168	33
GW 94 817 R	1/4	784	33
GW 94 818	1/4	960	70
GW 94 819	1/4	640	70
GW 94 819 P	1/4	180	33
GW 94 827	1/4	1120	70
GW 94 827 P	1/4	280	33
GW 94 827 R	1/4	280	33
GW 94 828	1/4	640	70
GW 94 828 P	1/4	120	33
GW 94 829	1/4	640	70
GW 94 829 P	1/4	120	33
GW 94 830	1/4	640	70
GW 94 830 P	1/4	120	33
GW 94 837	1/4	1120	70
GW 94 837 P	1/4	120	33
GW 94 837 R	1/4	240	33
GW 94 838	1/4	640	70
GW 94 838 P	1/4	640	33
GW 94 839	1/4	640	70
GW 94 839 P	1/4	0	33
GW 94 840	1/4	640	70
GW 94 840 P	1/4	120	33

Quick Reference

Code	Quantity		Page
	Pack/carton	Pallet	
GW 94 847	1/4	640	70
GW 94 848	1/4	640	70
GW 94 849	1/4	640	70
GW 94 866	1/4	640	77
GW 94 866	1/4	640	77
GW 94 867	1/4	464	77
GW 94 867	1/4	464	77
GW 94 869	1/4	640	77
GW 94 869	1/4	640	77
GW 94 877	1/3	522	70
GW 94 878	1/3	348	70
GW 94 879	1/3	348	70
GW 94 885	1/4	464	70
GW 94 897	1/4	812	77
GW 94 897	1/4	812	77
GW 94 898	1/4	640	77
GW 94 898	1/4	640	77
GW 94 899	1/4	464	77
GW 94 899	1/4	464	77
GW 94 900	1/4	464	77
GW 94 900	1/4	464	77
GW 94 907	1/3	348	70
GW 94 909	1/3	348	70
GW 94 924	1/4	960	71
GW 94 924 P	1/4	112	33
GW 94 927	1/3	609	70
GW 94 928	1/3	348	70
GW 94 929	1/3	348	70
GW 94 930	1/3	348	70
GW 94 934	1/4	464	71
GW 94 934 P	1/4	120	33
GW 94 937	1/3	522	70
GW 94 938	1/3	348	70
GW 94 939	1/3	348	70
GW 94 940	1/3	348	70
GW 94 944	1/4	464	71
GW 94 947	1/3	348	70
GW 94 948	1/3	348	70
GW 94 949	1/3	348	70
GW 94 957	1/3	348	70
GW 94 958	1/3	348	70
GW 94 959	1/3	348	70
GW 94 960	1/3	348	70
GW 94 966	1/3	348	71
GW 94 976	1/3	348	71
GW 94 986	1/3	348	71
GW 94 996	1/3	348	71
GW95			
GW 95 005	1/6	696	59
GW 95 006	1/6	696	59
GW 95 007	1/6	696	59
GW 95 008	1/6	696	59
GW 95 009	1/6	696	59
GW 95 010	1/6	696	59
GW 95 011	1/6	696	59
GW 95 015	1/6	696	59
GW 95 016	1/6	696	59
GW 95 017	1/6	696	59
GW 95 018	1/6	696	59
GW 95 019	1/6	696	59
GW 95 020	1/6	696	59
GW 95 025	1/6	696	59
GW 95 025 MA	1/6	696	60
GW 95 026	1/6	696	59

Code	Quantity		Page
	Pack/carton	Pallet	
GW 95 026 MA	1/6	696	60
GW 95 027	1/6	696	59
GW 95 027 MA	1/6	696	60
GW 95 028	1/6	696	59
GW 95 028 MA	1/6	696	60
GW 95 029	1/6	696	59
GW 95 029 MA	1/6	696	60
GW 95 030	1/6	696	59
GW 95 030 MA	1/6	696	60
GW 95 031	1/6	696	59
GW 95 031 MA	1/6	696	60
GW 95 035	1/6	696	59
GW 95 035 MA	1/6	696	60
GW 95 036	1/6	696	59
GW 95 036 MA	1/6	696	60
GW 95 037	1/6	696	59
GW 95 037 MA	1/6	696	60
GW 95 038	1/6	696	59
GW 95 038 MA	1/6	696	60
GW 95 039	1/6	696	59
GW 95 039 MA	1/6	696	60
GW 95 040	1/6	696	59
GW 95 040 MA	1/6	696	60
GW 95 105	1/6	696	58
GW 95 106	1/6	696	58
GW 95 107	1/6	1218	58
GW 95 108	1/6	696	58
GW 95 109	1/6	696	58
GW 95 110	1/6	696	58
GW 95 111	1/6	696	58
GW 95 115	1/6	696	58
GW 95 116	1/6	696	58
GW 95 117	1/6	696	58
GW 95 118	1/6	696	58
GW 95 119	1/6	522	58
GW 95 120	1/6	696	58
GW 95 125	1/6	696	58
GW 95 126	1/6	696	58
GW 95 127	1/6	696	58
GW 95 128	1/6	696	58
GW 95 129	1/6	696	58
GW 95 130	1/6	696	58
GW 95 131	1/6	696	58
GW 95 135	1/6	696	58
GW 95 136	1/6	696	58
GW 95 137	1/6	696	58
GW 95 138	1/6	522	58
GW 95 139	1/6	696	58
GW 95 140	1/6	522	58
GW 95 145	1/4	0	58
GW 95 146	1/4	464	58
GW 95 147	1/4	464	58
GW 95 148	1/4	464	58
GW 95 149	1/4	0	58
GW 95 150	1/4	512	58
GW 95 151	1/4	0	58
GW 95 155	1/4	0	58
GW 95 156	1/4	464	58
GW 95 157	1/4	464	58
GW 95 158	1/4	0	58
GW 95 159	1/4	0	58
GW 95 160	1/4	0	58
GW 95 165	1/3	348	58
GW 95 166	1/3	348	58
GW 95 167	1/3	348	58

Code	Quantity		Page
	Pack/carton	Pallet	
GW 95 168	1/3	348	58
GW 95 169	1/3	348	58
GW 95 170	1/3	348	58
GW 95 171	1/3	348	58
GW 95 175	1/3	348	58
GW 95 176	1/3	348	58
GW 95 177	1/3	348	58
GW 95 178	1/3	348	58
GW 95 179	1/3	348	58
GW 95 180	1/3	348	58
GW 95 205	1/6	696	61
GW 95 206	1/6	696	61
GW 95 207	1/6	696	61
GW 95 208	1/6	696	61
GW 95 209	1/6	696	61
GW 95 210	1/6	696	61
GW 95 211	1/6	696	61
GW 95 215	1/6	696	61
GW 95 216	1/6	696	61
GW 95 217	1/6	696	61
GW 95 218	1/6	696	61
GW 95 219	1/6	696	61
GW 95 220	1/6	696	61
GW 95 225	1/6	696	61
GW 95 225 MA	1/6	696	62
GW 95 226	1/6	1218	61
GW 95 226 MA	1/6	696	62
GW 95 227	1/6	1218	61
GW 95 227 MA	1/6	696	62
GW 95 228	1/6	696	61
GW 95 228 MA	1/6	696	62
GW 95 229	1/6	696	61
GW 95 229 MA	1/6	696	62
GW 95 230	1/6	696	61
GW 95 230 MA	1/6	696	62
GW 95 231	1/6	696	61
GW 95 231 MA	1/6	696	62
GW 95 235	1/6	696	61
GW 95 235 MA	1/6	696	62
GW 95 236	1/6	696	61
GW 95 236 MA	1/6	696	62
GW 95 237	1/6	696	61
GW 95 237 MA	1/6	696	62
GW 95 238	1/6	696	61
GW 95 238 MA	1/6	696	62
GW 95 239	1/6	696	61
GW 95 239 MA	1/6	696	62
GW 95 240	1/6	696	61
GW 95 240 MA	1/6	696	62
GW 95 245	1/4	464	61
GW 95 246	1/4	464	61
GW 95 247	1/4	464	61
GW 95 248	1/4	464	61
GW 95 249	1/4	464	61
GW 95 250	1/4	464	61
GW 95 325	1/6	696	63
GW 95 326	1/6	696	63
GW 95 327	1/6	1218	63
GW 95 328	1/6	696	63
GW 95 329	1/6	696	63
GW 95 330	1/6	696	63
GW 95 331	1/6	696	63
GW 95 335	1/6	0	63
GW 95 336	1/6	696	63
GW 95 337	1/6	522	63

Code	Quantity		Page
	Pack/carton	Pallet	
GW 95 338	1/6	522	63
GW 95 339	1/6	522	63
GW 95 340	1/6	696	63
GW 95 406	1/2	152	66
GW 95 408	1/2	152	66
GW 95 416	1/2	128	66
GW 95 418	1/2	128	66
GW 95 426	1/2	128	66
GW 95 428	1/2	64	66
GW 95 436	1/2	152	66
GW 95 438	1/2	152	66
GW 95 446	1/2	128	66
GW 95 448	1/2	128	66
GW 95 456	1/2	128	66
GW 95 458	1/2	128	66
GW 95 468	1/2	152	66
GW 95 470	1/2	152	66
GW 95 478	1/2	128	66
GW 95 480	1/2	128	66
GW 95 488	1/2	128	66
GW 95 490	1/2	64	66
GW 95 512	1/2	128	67
GW 95 601	1	320	75
GW 95 601	1	320	75
GW 95 603	1	320	75
GW 95 603	1	320	75
GW 95 604	1	320	75
GW 95 604	1	320	75
GW 95 606	1	320	77
GW 95 606	1	320	77
GW 95 608	1	320	77
GW 95 608	1	320	77
GW 95 609	1	320	77
GW 95 609	1	320	77
GW 95 651	1/4	464	71
GW 95 651 P	1/4	120	33
GW 95 651 R	1/4	256	33
GW 95 656	1/4	464	71
GW 95 656 P	1/4	168	33
GW 95 656 R	1/4	300	33
GW 95 661	1/4	464	71
GW 95 661 P	1/4	120	33
GW 95 661 R	1/4	112	33
GW 95 676	1/3	348	71
GW 95 678	1/3	348	71
GW 95 681	1/3	348	71
GW 95 683	1/3	348	71
GW 95 686	1/3	522	71
GW 95 688	1/3	348	71
GW 95 696	1/3	348	71
GW 95 698	1/3	348	71
GW 95 701	1	176	79
GW 95 701	1	176	79
GW 95 706	1	176	79
GW 95 706	1	176	79
GW 95 716	1	176	79
GW 95 716	1	176	79
GW 95 718	1	176	79
GW 95 718	1	176	79
GW 95 721	1	176	79
GW 95 721	1	176	79
GW 95 723	1	176	79
GW 95 723	1	176	79
GW 95 726	1	176	79
GW 95 726	1	176	79

Code	Quantity		Page
	Pack/carton	Pallet	
GW 95 728	1	176	79
GW 95 728	1	176	79
GW 95 729	1	176	79
GW 95 729	1	176	79
GW 95 731	1	176	79
GW 95 731	1	176	79
GW 95 733	1	176	79
GW 95 733	1	176	79
GW 95 737	1	176	79
GW 95 737	1	176	79
GW 95 743	1	176	79
GW 95 743	1	176	79
GW 95 785	1/6	0	61
GW 95 786	1/6	696	61
GW 95 787	1/6	696	61
GW 95 788	1/6	696	61
GW 95 789	1/6	696	61
GW 95 790	1/6	696	61
GW 95 791	1/6	696	61
GW 95 795	1/6	0	63
GW 95 796	1/6	0	63
GW 95 797	1/6	0	63
GW 95 798	1/6	0	63
GW 95 799	1/6	0	63
GW 95 800	1/6	0	63
GW 95 801	1/6	0	63
GW 95 805	1/6	696	57
GW 95 805 R	1/4	256	34
GW 95 806	1/6	696	57
GW 95 806 R	1/4	120	34
GW 95 807	1/6	696	57
GW 95 807 R	1/4	120	34
GW 95 808	1/6	696	57
GW 95 808 R	1/4	120	34
GW 95 809	1/6	696	57
GW 95 809 R	1/4	120	34
GW 95 810	1/6	696	57
GW 95 810 R	1/4	120	34
GW 95 811	1/6	696	57
GW 95 811 R	1/4	464	34
GW 95 815	1/3	348	57
GW 95 816	1/3	348	57
GW 95 817	1/3	348	57
GW 95 818	1/3	348	57
GW 95 819	1/3	348	57
GW 95 820	1/3	348	57
GW 95 821	1/3	348	57
GW 95 825	1/6	0	62
GW 95 826	1/6	696	62
GW 95 827	1/6	696	62
GW 95 828	1/6	696	62
GW 95 829	1/6	696	62
GW 95 830	1/6	696	62
GW 95 831	1/6	696	62
GW 95 835	1/6	696	63
GW 95 836	1/6	696	63
GW 95 837	1/6	696	63
GW 95 838	1/6	696	63
GW 95 839	1/6	696	63
GW 95 840	1/6	696	63
GW 95 841	1/6	696	63
GW 95 847	1/6	696	57
GW 95 847 P	1/4	0	34
GW 95 848	1/6	696	57
GW 95 848 P	1/4	120	34

Code	Quantity		Page
	Pack/carton	Pallet	
GW 95 849	1/6	696	57
GW 95 849 P	1/4	0	34
GW 95 850	1/6	696	57
GW 95 850 P	1/4	120	34
GW 95 857	1/3	348	57
GW 95 858	1/3	348	57
GW 95 859	1/3	348	57
GW 95 860	1/3	348	57
GW 95 921	1/2	320	72
GW 95 922	1/2	480	72
GW 95 923	1/2	320	72
GW 95 924	1/2	560	72
GW 95 925	1/2	320	72
GW 95 926	1/2	320	72
GW 95 928	5/100	1400	73

GW96			
Code	Quantity	Page	
GW 96 001	1/16	1824	82
GW 96 003	1/12	912	84
GW 96 003	1/12	912	84
GW 96 004	1/12	1392	84
GW 96 004	1/12	1392	84
GW 96 005	1	1392	84
GW 96 005	1	1392	84
GW 96 006	1/16	1216	82
GW 96 007	1	1044	84
GW 96 007	1	1044	84
GW 96 009	1/16	1216	82
GW 96 011	1/8	1280	83
GW 96 012	1/8	1920	83
GW 96 014	1/6	696	35
GW 96 015	1/12	2736	84
GW 96 015	1/12	2736	84
GW 96 016	1/8	1280	83
GW 96 017	1/8	1280	83
GW 96 018	1/8	1280	83
GW 96 022	10/100	16000	83
GW 96 026	10/100	16000	83
GW 96 036	1/50	15600	84
GW 96 038	1/10	15600	84
GW 96 038	1/10	15600	84
GW 96 039	1/10	1560	84
GW 96 041	10/100	16000	85
GW 96 042	10/100	6400	83
GW 96 104	6/12	1392	94
GW 96 105	6/12	2304	94
GW 96 114	3/12	1152	94
GW 96 115	3/12	1152	94
GW 96 124	2/8	512	94
GW 96 125	2/8	768	94
GW 96 134	1/3	609	94
GW 96 135	1/3	609	94
GW 96 146	6/24	1536	94
GW 96 147	6/24	1536	94
GW 96 148	6/24	1536	94
GW 96 149	6/24	1536	94
GW 96 156	3/12	768	94
GW 96 157	3/12	768	94
GW 96 158	3/12	768	94
GW 96 159	3/12	768	94
GW 96 166	2/8	512	94
GW 96 167	2/8	512	94
GW 96 168	2/8	512	94
GW 96 169	2/8	512	94
GW 96 176	1/2	560	94

Quick Reference

Code	Quantity		Page	Code	Quantity		Page	Code	Quantity		Page
	Pack/carton	Pallet			Pack/carton	Pallet			Pack/carton	Pallet	
GW 96 177	1/2	320	94	GW 96 447	1	384	108	GW 96 758	1/4	464	89
GW 96 178	1/2	320	94	GW 96 448	1	396	108	GW 96 759	1/4	464	89
GW 96 179	1/2	320	94	GW 96 449	1	384	108	GW 96 760	1/4	464	89
GW 96 186	1	480	114	GW 96 450	1	84	108	GW 96 761	1/4	464	89
GW 96 186	1	480	114	GW 96 451	1	108	108	GW 96 762	1/4	464	89
GW 96 187	1	480	114	GW 96 452	1	72	108	GW 96 763	1/4	464	89
GW 96 187	1	480	114	GW 96 453	1	90	108	GW 96 764	1/12	1044	89
GW 96 205	12	1152	88	GW 96 500	1/25	11000	86	GW 96 765	1/12	1392	89
GW 96 206	12	1536	88	GW 96 501	1/25	11000	86	GW 96 767	1/6	696	89
GW 96 207	12	768	88	GW 96 503	1/50	22000	87	GW 96 769	1/6	696	90
GW 96 215	6	768	88	GW 96 504 F	1/10	1120	86	GW 96 770	1/6	696	90
GW 96 216	6	1404	88	GW 96 507 F	1/10	0	81	GW 96 771	1	64	90
GW 96 217	6	384	88	GW 96 522	2/8	768	112	GW 96 781	1/6	1044	111
GW 96 218	2/12	360	88	GW 96 523	2/8	512	112	GW 96 782	1/3	348	111
GW 96 220	12	4032	88	GW 96 524	2/8	768	112	GW 96 783	1/50	1500	111
GW 96 226	12	2460	115	GW 96 525	2/8	0	112	GW 96 810	1/8	1280	103
GW 96 226	12	2460	115	GW 96 526	2/8	768	112	GW 96 813	1/8	1280	103
GW 96 227	6	1260	115	GW 96 531	3/12	1392	95	GW 96 814	1/8	1280	103
GW 96 227	6	1260	115	GW 96 532	3/12	1044	95	GW 96 815	1/8	1280	103
GW 96 301	6	384	88	GW 96 533	3/12	2088	95	GW 96 821	1/4	464	105
GW 96 302	6	1404	88	GW 96 534	3/12	1440	95	GW 96 830	1/8	1280	104
GW 96 303	6	384	88	GW 96 535	1/12	1392	95	GW 96 831	1/4	812	104
GW 96 306	4	512	88	GW 96 536	1/12	1392	95	GW 96 832	1/4	464	104
GW 96 307	4	936	88	GW 96 537	1/12	1392	95	GW 96 836	1/8	1280	104
GW 96 308	4	256	88	GW 96 538	1/12	1392	95	GW 96 844	1/4	464	104
GW 96 311	3	320	88	GW 96 539	3/12	1392	95	GW 96 845	1/4	464	104
GW 96 312	3	702	88	GW 96 540	1/12	1044	95	GW 96 846	1/4	348	104
GW 96 313	3	256	88	GW 96 541	1/12	1392	95	GW 96 851	1/4	464	96
GW 96 314	1	225	88	GW 96 542	1/12	1392	95	GW 96 852	1/4	464	96
GW 96 321	4	1148	111	GW 96 551	3/12	1392	95	GW 96 853	1/4	348	96
GW 96 322	4	640	111	GW 96 552	1/12	1392	95	GW 96 856	1/4	348	96
GW 96 323	1	495	111	GW 96 553	3/12	1392	95	GW 96 861	1/4	1056	105
GW 96 324	1	360	111	GW 96 554	1/12	1392	95	GW 96 862	1/4	528	105
GW 96 331	1/4	464	93	GW 96 555	3/12	0	95	GW 96 867	1/4	640	105
GW 96 332	1	360	93	GW 96 556	1/12	1392	95	GW 96 871	1/4	1056	106
GW 96 333	1	180	93	GW 96 561	3/12	1044	109	GW 96 872	1/4	1056	106
GW 96 334	1	180	93	GW 96 562	3/12	1044	109	GW 96 873	1/4	1056	106
GW 96 335	1	60	93	GW 96 563	1/12	1044	109	GW 96 878	1/4	464	106
GW 96 336	1	100	93	GW 96 564	1/12	1044	109	GW 96 879	1/4	640	107
GW 96 337	1	50	93	GW 96 565	1/12	1044	109	GW 96 881	1/4	640	108
GW 96 339	1/2	390	102	GW 96 566	1/12	1044	109	GW 96 891	1/2	174	104
GW 96 340	1/5	780	102	GW 96 567	1/12	1044	109	GW 96 892	1/2	400	104
GW 96 401	12	3168	110	GW 96 568	1/12	1392	109	GW 96 895	1	160	104
GW 96 402	12	3108	110	GW 96 569	1/12	1044	109	GW 96 897	1/4	640	108
GW 96 403	6	1584	110	GW 96 570	1/12	1044	109	GW 96 899	1/2	360	108
GW 96 406	12	3168	110	GW 96 571	1/12	1044	109	GW 96 906	1/8	1280	101
GW 96 407	12	3168	110	GW 96 581	3/12	2436	109	GW 96 907	1/8	1280	101
GW 96 408	6	1584	110	GW 96 582	3/12	1392	109	GW 96 908	1/8	1280	101
GW 96 411	4	660	110	GW 96 583	3/12	1044	109	GW 96 909	1/8	1280	101
GW 96 421	6	1722	111	GW 96 584	3/12	1044	109	GW 96 916	1/6	1218	102
GW 96 422	6	1722	111	GW 96 585	3/12	1044	109	GW 96 951	1/4	464	96
GW 96 423	6	1230	111	GW 96 586	1/12	1044	109	GW 96 952	1/4	464	96
GW 96 424	6	1230	111	GW 96 587	1/12	1044	109	GW 96 953	1/4	464	96
GW 96 425	6	1230	111	GW 96 588	1/12	1044	109	GW 96 961	50	3000	87
GW 96 426	6	1230	111	GW 96 589	1/12	1044	109	GW 96 962	50	3000	87
GW 96 431	4	656	111	GW 96 590	1/12	1044	109	GW 96 963	10	58000	87
GW 96 432	4	820	111	GW 96 591	1/12	1044	109	GW 96 964	10	58000	87
GW 96 433	4	984	111	GW 96 592	1/12	1392	109	GW 96 965	10	58000	87
GW 96 434	4	820	111	GW 96 751	1/4	464	89	GW 96 966	10	58000	87
GW 96 441	1	448	108	GW 96 752	1/4	464	89	GW 96 967	10	8320	87
GW 96 442	1	448	108	GW 96 753	1/4	464	89	GW 96 971	1/10	11600	106
GW 96 443	1	384	108	GW 96 754	1/4	464	89	GW 96 972	1/10	11600	106
GW 96 444	1	384	108	GW 96 755	1/4	464	89	GW 96 973	1/10	11600	106
GW 96 445	1	384	108	GW 96 756	1/4	464	89	GW 96 974	1/10	11600	106
GW 96 446	1	126	108	GW 96 757	1/4	464	89	GW 96 975	1/10	11600	106

Code	Quantity		Page
	Pack/carton	Pallet	
GW 96 976	1/10	11600	106
GW 96 977	1/10	11600	106
GW 96 978	1/10	11600	106
GW 96 979	1/10	11600	106
GW 96 980	1/10	32000	106
GW 96 981	1/10	32000	106
GW 96 984	50	10500	86
GW 96 985	25	5250	86
GW 96 986	25	5250	86
GW 96 987	20	3200	86
GW 96 988	50	3500	86
GW 96 988	50	3500	86
GW 96 989	20	1400	86
GW 96 990	20	1400	86
GW 96 991	15	225	86
GW 96 992	50	10500	86
GW 96 993	25	5250	86
GW 96 994	25	5250	86
GW 96 995	20	4200	86
GW 96 996	50	3150	86
GW 96 997	20	1400	86
GW 96 998	20	1260	86
GW 96 999	15	735	86
GW97			
GW 97 601	1	5	164
GW 97 602	1	5	164
GW 97 604	1	5	164
GW 97 605	1	5	164
GW 97 607	1	5	164
GW 97 608	1	5	164
GW 97 610	1	5	164
GW 97 611	1	5	164
GW 97 613	1	5	164
GW 97 614	1	5	164
GW 97 616	1	5	164
GW 97 617	1	5	164
GW 97 619	1	5	164
GW 97 620	1	5	164
GW 97 622	1	5	164
GW 97 623	1	5	164
GW 97 625	1	5	164
GW 97 626	1	5	164
GW 97 628	1	5	164
GW 97 629	1	5	164
GW 97 631	1	5	164
GW 97 632	1	5	164
GW 97 634	1	5	164
GW 97 635	1	5	164
GW 97 637	1	5	164
GW 97 638	1	5	164
GW 97 640	1	5	164
GW 97 641	1	5	164
GW 97 643	1	5	164
GW 97 644	1	5	164
GW 97 646	1	5	164
GW 97 647	1	5	164
GW 97 649	1	5	165
GW 97 650	1	5	165
GW 97 652	1	5	165
GW 97 653	1	5	165
GW 97 655	1	5	165
GW 97 656	1	5	165
GW 97 658	1	5	165
GW 97 659	1	5	165

Code	Quantity		Page
	Pack/carton	Pallet	
GW 97 661	1	5	165
GW 97 662	1	5	165
GW 97 664	1	5	165
GW 97 665	1	5	165
GW 97 667	1	5	165
GW 97 668	1	5	165
GW 97 670	1	5	165
GW 97 671	1	5	165
GW 97 715	1	5	167
GW 97 716	1	5	167
GW 97 718	1	5	167
GW 97 719	1	5	167
GW 97 721	1	228	188
GW 97 722	1	228	188
GW 97 723	1	456	188
GW 97 724	1	228	188
GW 97 725	1	228	188
GW 97 726	1	504	188
GW 97 727	1	224	188
GW 97 728	1	224	188
GW 97 729	1	126	188
GW 97 730	1	126	188
GW 97 731	1	48	189
GW 97 732	1	48	189
GW 97 733	1	48	189
GW 97 734	1	48	189
GW 97 761	1	144	189
GW 97 767	1	24	189
GW 97 772	1	150	190
GW 97 773	1	117	190
GW 97 774	1	117	190
GW 97 775	1	117	190
GW98			
GW 98 221	1	4	174
GW 98 222	1	4	174
GW 98 223	1	4	174
GW 98 224	1	4	174
GW 98 225	1	8	174
GW 98 226	1	16	174
GW 98 227	1	16	174
GW 98 228	1	8	174
GW 98 260	1	280	176
GW 98 261	1	264	176
GW 98 263	1	160	176
GW 98 264	1	280	176
GW 98 265	1	160	176
GW 98 268	1	0	177
GW 98 281	1	264	177
GW 98 282	1	132	177
GW 98 284	1	132	177
GW 98 285	1	160	177
GW 98 286	1	160	177
GW 98 288	1	132	177
GW 98 289	1	160	177
GW 98 291	1	132	177
GW 98 292	1	132	177
GW 98 295	1	160	175
GW 98 296	1	780	175
GW 98 300	1	160	177
GW 98 301	1	264	177
GW 98 305	1	36	178
GW 98 306	1	160	178
GW 98 307	1	264	178
GW 98 310	1	264	175

Code	Quantity		Page
	Pack/carton	Pallet	
GW 98 311	1	780	175
GW 98 326	1	16	178
GW 98 331	1	16	178
GW 98 332	1	16	178
GW 98 335	1	160	175
GW 98 336	1	640	175
GW 98 344	1	24	179
GW 98 345	1	72	179
GW 98 346	1	72	179
GW 98 354	1	18	179
GW 98 355	1	0	179
GW 98 356	1	0	179
GW 98 361	1	96	180
GW 98 362	1	100	180
GW 98 364	1	0	181
GW 98 365	1	0	181
GW 98 366	1	160	181
GW 98 367	1	160	176
GW 98 380	1	5	182
GW 98 389	1	84	183
GW 98 390	1	160	183
GW 98 399	1	90	183
GW 98 400	1	90	183
GW 98 401	1	84	183
GW 98 421	1	0	184
GW 98 422	1	0	184
GW 98 424	1	195	178
GW 98 434	1	80	185
GW 98 435	1	80	185
GW 98 456	1	30	185
GW 98 457	1	24	185
GW 98 458	1	0	186
GW 98 481	1	280	175
GW 98 482	1	280	175
GW 98 483	1	280	175
GW 98 484	1	280	175
GW 98 485	1	160	176
GW 98 486	1	160	176
GW 98 487	1	280	176
GW 98 490	1	280	179
GW 98 508	1	960	190
GW 98 509	1	320	190
GW 98 510	1	320	190
GW 98 511	1	320	190
GW 98 512	1	320	190
GW 98 514	1	3900	190
GW 98 515	1	4680	190
GW 98 516	1	1560	190
GW 98 517	1	609	190
GW 98 521	1	1160	189
GW 98 522	1	150	189
GW 98 523	1	1160	189
GW 98 524	1	1160	189
GW 98 525	1	360	189
GW D4			
GW D4 001	1/6	696	75
GW D4 002	1/6	1218	75
GW D4 003	1/6	696	75
GW D4 004	1/6	696	75
GW D4 011	1/6	696	77
GW D4 012	1/6	696	77
GW D4 013	1/6	1218	77
GW D4 014	1/6	696	77
GW D4 022	1/6	1218	75

Quick Reference

Code	Quantity		Page	Code	Quantity		Page	Code	Quantity		Page
	Pack/carton	Pallet			Pack/carton	Pallet			Pack/carton	Pallet	
GW D4 023	1/6	696	75	GW D4 208	1/6	696	78	GW D6 015	1/8	928	81
GW D4 024	1/6	696	75	GW D4 211	① 1/6	0	78	GW D6 019	① 1/8	0	81
GW D4 025	1/6	696	75	GW D4 217	1/3	348	78	GW D6 020	① 1/8	0	81
GW D4 032	1/6	1218	77	GW D4 218	1/3	348	78	GW D6 021	① 1/8	0	81
GW D4 033	1/6	696	77	GW D4 220	1/3	348	78	GW D6 026	1/50	0	81
GW D4 034	1/6	696	77	GW D4 221	1/3	348	78	GW D6 027	1/10	0	81
GW D4 035	1/6	696	77	GW D4 223	1/3	348	78	GW D6 401	1	696	91
GW D4 042	1/6	696	75	GW D4 224	1/3	348	78	GW D6 402	1	348	91
GW D4 043	1/6	696	75	GW D4 226	① 1/3	348	78	GW D6 404	1	348	91
GW D4 044	1/6	696	75	GW D4 227	① 1/3	348	78	GW D6 405	1	96	91
GW D4 045	1/6	696	75	GW D4 234	1/6	696	78	GW D6 407	1	696	91
GW D4 052	1/6	696	77	GW D4 235	1/6	696	78	GW D6 409	1	348	91
GW D4 053	1/6	696	77	GW D4 237	1/6	696	78	GW D6 411	1	1044	91
GW D4 054	1/6	696	77	GW D4 238	1/6	696	78	GW D6 412	1	1044	91
GW D4 055	1/6	696	77	GW D4 240	① 1/6	696	78	GW D6 413	1	1044	91
GW D4 062	① 1/6	696	75	GW D4 243	① 1/6	0	78	GW D6 417	1	696	91
GW D4 063	① 1/6	0	75	GW D4 244	① 1/6	0	78	GW D6 418	1	1218	91
GW D4 064	① 1/6	696	75	GW D4 249	1/3	348	78	GW D6 419	1	348	91
GW D4 072	① 1/6	696	77	GW D4 250	1/3	348	78	GW D6 420	1	348	91
GW D4 073	① 1/6	696	77	GW D4 252	1/3	348	78	GW D6 426	1	480	114
GW D4 074	① 1/6	696	77	GW D4 253	1/3	348	78	GW D6 426	1	480	114
GW D4 082	① 1/6	0	75	GW D4 255	① 1/3	348	78	GW D6 428	1	464	114
GW D4 084	① 1/6	0	75	GW D4 258	① 1/3	348	78	GW D6 428	1	464	114
GW D4 092	① 1/6	0	77	GW D4 259	① 1/3	0	78	GW D6 430	1	1392	91
GW D4 093	① 1/6	0	77	GW D4 302	1/3	348	75	GW D6 433	1	1392	92
GW D4 094	① 1/6	0	77	GW D4 304	1/3	348	75	GW D6 434	1	696	92
GW D4 102	1/3	348	75	GW D4 312	1/3	348	77	GW D6 435	1	696	92
GW D4 103	1/3	348	75	GW D4 314	1/3	348	77	GW D6 436	1	756	92
GW D4 104	1/3	348	75	GW D4 317	1/3	0	78	GW D6 438	1	756	92
GW D4 111	1/3	0	77	GW D4 322	1/3	348	75	GW D6 441	1	696	92
GW D4 112	1/3	348	77	GW D4 324	1/3	348	75	GW D6 442	1	696	92
GW D4 113	1/3	348	77	GW D4 332	1/3	348	77	GW D6 443	1	420	92
GW D4 114	1/3	348	77	GW D4 334	1/3	348	77	GW D6 446	1	696	92
GW D4 122	1/3	348	75	GW D4 337	1/3	0	78	GW D6 448	1	60	92
GW D4 123	1/3	348	75	GW D4 342	1/3	348	75	GW D6 448	1	60	92
GW D4 124	1/3	348	75	GW D4 344	1/3	348	75	GW D6 451	1	696	92
GW D4 125	1/3	348	75	GW D4 352	1/3	348	77	GW D6 452	1	696	92
GW D4 132	1/3	609	77	GW D4 354	1/3	348	77	GW D6 453	1	696	92
GW D4 133	1/3	0	77	GW D4 357	1/3	0	78	GW D6 464	1/4	60	92
GW D4 134	1/3	348	77	GW D4 362	① 1/3	348	75	GW D6 465	1/4	80	92
GW D4 135	1/3	348	77	GW D4 364	① 1/3	348	75	GW D6 466	1/4	80	92
GW D4 142	1/3	348	75	GW D4 382	① 1/3	348	75	GW D6 467	1/4	80	92
GW D4 143	1/3	348	75	GW D4 384	① 1/3	348	75	GW D6 468	1/4	80	92
GW D4 144	1/3	348	75	GW D4 427	1/3	348	74	GW D6 474	1/4	120	92
GW D4 145	1/3	348	75	GW D4 429	1/3	348	74	GW D6 475	1/4	120	92
GW D4 152	1/3	348	77	GW D4 431	1/3	348	74	GW D6 601	6/24	1920	98
GW D4 153	1/3	348	77	GW D4 433	1/3	348	74	GW D6 602	6/24	1920	98
GW D4 154	1/3	348	77	GW D4 435	1/3	348	74	GW D6 603	6/24	1920	98
GW D4 155	1/3	348	77	GW D4 437	1/3	348	74	GW D6 604	6/24	1920	98
GW D4 162	① 1/3	348	75	GW D4 439	1/3	348	74	GW D6 606	6/24	1920	98
GW D4 163	① 1/3	348	75	GW D4 441	1/3	0	74	GW D6 608	6/24	1920	98
GW D4 164	① 1/3	348	75	GW D4 443	1/3	609	74	GW D6 610	6/24	1920	98
GW D4 172	① 1/3	348	77	GW D4 445	1/3	348	74	GW D6 611	6/24	1920	98
GW D4 173	① 1/3	348	77	GW D4 447	1/3	348	74	GW D6 617	6/24	1920	98
GW D4 174	① 1/3	348	77	GW D4 449	1/3	348	74	GW D6 618	6/24	1920	98
GW D4 182	① 1/3	348	75	GW D4 617	1/6	1218	74	GW D6 619	6/24	1920	98
GW D4 183	① 1/3	348	75	GW D4 627	1/6	1218	74	GW D6 624	6/24	1920	98
GW D4 184	① 1/3	348	75	GW D4 817	1/6	1218	74	GW D6 626	3/12	960	98
GW D4 185	① 1/3	348	75	GW D4 827	1/6	1218	74	GW D6 627	3/12	960	98
GW D4 192	① 1/3	348	77					GW D6 629	3/12	960	98
GW D4 193	① 1/3	348	77					GW D6 630	3/12	960	98
GW D4 194	① 1/3	348	77					GW D6 632	3/12	960	98
GW D4 195	① 1/3	348	77					GW D6 633	3/12	960	98
GW D4 202	1/6	696	78					GW D6 634	3/12	960	98
GW D4 205	1/6	696	78					GW D6 641	6/24	1536	99
								GW D6 642	6/24	1536	99

Code	Quantity		Page
	Pack/carton	Pallet	
GW D6 643	6/24	1536	99
GW D6 644	6/24	2304	99
GW D6 646	6/24	1536	99
GW D6 647	6/24	1536	99
GW D6 648	6/24	1536	99
GW D6 649	6/24	1536	99
GW D6 650	6/24	1536	99
GW D6 652	6/24	1536	99
GW D6 653	6/24	0	99
GW D6 654	6/24	480	99
GW D6 657	6/24	1536	99
GW D6 658	6/24	1536	99
GW D6 659	6/24	1536	99
GW D6 663	3/12	768	99
GW D6 664	3/12	768	99
GW D6 667	3/12	768	99
GW D6 668	3/12	0	99
GW D6 669	3/12	768	99
GW D6 671	1/20	1280	100
GW D6 672	1/20	1600	100
GW D6 676	1/20	1600	99
GW D6 677	1/20	1600	99
GW D6 678	1/20	1600	99
GW D6 701	6/24	1920	97
GW D6 702	6/24	1920	97
GW D6 703	6/24	1920	97
GW D6 705	6/24	1920	97
GW D6 706	6/24	1920	97
GW D6 707	6/24	1920	97
GW D6 708	3/12	768	97
GW D6 709	3/12	768	97
GW D6 711	3/12	960	97
GW D6 712	3/12	960	97
GW D6 713	3/12	960	97
GW D6 714	3/12	960	97
GW D6 715	3/12	960	97
GW D6 716	3/12	960	97
GW D6 717	3/12	960	97
GW D6 718	3/12	960	97
GW D6 721	2/8	640	97
GW D6 722	2/8	640	97
GW D6 723	2/8	640	97
GW D6 724	2/8	1280	97
GW D6 725	2/8	640	97
GW D6 731	2/8	640	97
GW D6 732	2/8	640	97
GW D6 733	2/8	640	97
GW D6 734	2/8	640	97
GW D6 735	2/8	640	97
GW D6 741	6/24	1920	97
GW D6 742	6/24	3840	97
GW D6 743	6/24	1920	97
GW D6 744	6/24	1920	97
GW D6 751	3/12	960	97
GW D6 752	3/12	960	97
GW D6 753	3/12	960	97
GW D6 754	3/12	960	97
GW D6 761	1/12	960	98
GW D6 762	1/12	960	98
GW D6 763	1/10	1920	99
GW D6 764	1/10	960	99
GW D6 765	1/10	640	99
GW D6 766	12	1404	100
GW D6 766	12	1404	100
GW D6 766	12	1404	100

Code	Quantity		Page
	Pack/carton	Pallet	
GW D6 801	1/5	580	107
GW D6 806	1/2	80	107
GW D6 808	1/2	80	107
GWD7			
GW D7 001	1	96	144
GW D7 002	1	96	144
GW D7 003	1	96	144
GW D7 004	1	96	144
GW D7 005	1	96	144
GW D7 006	1	96	144
GW D7 007	1	96	144
GW D7 008	1	96	144
GW D7 009	1	96	144
GW D7 010	1	96	144
GW D7 011	1	96	144
GW D7 021	1	96	144
GW D7 022	1	96	144
GW D7 023	1	96	144
GW D7 024	1	96	144
GW D7 025	1	96	144
GW D7 026	1	96	144
GW D7 027	1	96	144
GW D7 028	1	96	144
GW D7 029	1	96	144
GW D7 030	1	96	144
GW D7 031	1	96	144
GW D7 041	1	96	145
GW D7 042	1	96	145
GW D7 043	1	96	145
GW D7 044	1	96	145
GW D7 045	1	96	145
GW D7 046	1	96	145
GW D7 047	1	96	145
GW D7 048	1	96	145
GW D7 049	1	96	145
GW D7 051	1	96	145
GW D7 052	1	96	145
GW D7 053	1	96	145
GW D7 054	1	96	145
GW D7 055	1	96	145
GW D7 056	1	96	145
GW D7 057	1	96	145
GW D7 058	1	96	145
GW D7 059	1	96	145
GW D7 061	1	96	145
GW D7 062	1	96	145
GW D7 063	1	96	145
GW D7 064	1	96	145
GW D7 065	1	96	145
GW D7 066	1	96	145
GW D7 067	1	96	145
GW D7 068	1	96	145
GW D7 071	1	96	145
GW D7 072	1	96	145
GW D7 073	1	96	145
GW D7 074	1	96	145
GW D7 075	1	96	145
GW D7 076	1	96	145
GW D7 077	1	96	145
GW D7 078	1	96	145
GW D7 081	1	96	146
GW D7 082	1	96	146
GW D7 083	1	96	146
GW D7 084	1	96	146

Code	Quantity		Page
	Pack/carton	Pallet	
GW D7 085	1	96	146
GW D7 086	1	96	146
GW D7 087	1	96	146
GW D7 091	1	96	146
GW D7 092	1	96	146
GW D7 093	1	96	146
GW D7 094	1	96	146
GW D7 095	1	96	146
GW D7 096	1	96	146
GW D7 097	1	96	146
GW D7 101	1	96	148
GW D7 102	1	96	148
GW D7 103	1	96	148
GW D7 104	1	96	148
GW D7 105	1	96	148
GW D7 106	1	96	148
GW D7 107	1	96	148
GW D7 108	1	96	148
GW D7 109	1	96	148
GW D7 110	1	96	148
GW D7 111	1	96	148
GW D7 112	1	96	148
GW D7 113	1	96	148
GW D7 114	1	96	148
GW D7 115	1	96	148
GW D7 116	1	96	148
GW D7 121	1	96	149
GW D7 122	1	96	149
GW D7 123	1	96	149
GW D7 124	1	96	149
GW D7 125	1	96	149
GW D7 126	1	96	149
GW D7 127	1	96	149
GW D7 128	1	96	149
GW D7 129	1	96	149
GW D7 130	1	96	149
GW D7 131	1	96	149
GW D7 132	1	96	149
GW D7 133	1	96	149
GW D7 134	1	96	149
GW D7 135	1	96	149
GW D7 136	1	96	149
GW D7 141	1	96	147
GW D7 142	1	96	147
GW D7 143	1	96	147
GW D7 144	1	96	147
GW D7 145	1	96	147
GW D7 146	1	96	147
GW D7 147	1	96	147
GW D7 149	1	96	147
GW D7 150	1	96	147
GW D7 151	1	96	147
GW D7 152	1	96	147
GW D7 153	1	96	147
GW D7 154	1	96	147
GW D7 155	1	96	147
GW D7 156	1	96	147
GW D7 157	1	96	147
GW D7 158	1	96	147
GW D7 159	1	96	147
GW D7 160	1	96	147
GW D7 161	1	96	147
GW D7 162	1	96	147
GW D7 163	1	96	147

Quick Reference

Code	Quantity		Page
	Pack/carton	Pallet	
GW D7 164	1	96	147
GW D7 165	1	96	147
GW D7 166	1	96	147
GW D7 167	1	96	147
GW D7 168	1	96	147
GW D7 169	1	96	147
GW D7 170	1	96	147
GW D7 171	1	96	147
GW D7 172	1	96	147
GW D7 173	1	96	147
GW D7 174	1	96	147
GW D7 175	1	96	147
GW D7 176	1	96	147
GW D7 177	1	96	147
GW D7 178	1	96	147
GW D7 179	1	96	147
GW D7 180	1	96	147
GW D7 181	1	96	148
GW D7 182	1	96	148
GW D7 183	1	96	148
GW D7 184	1	96	148
GW D7 185	1	96	148
GW D7 186	1	96	148
GW D7 187	1	96	148
GW D7 188	1	96	148
GW D7 189	1	96	148
GW D7 190	1	96	148
GW D7 191	1	96	148
GW D7 192	1	96	148
GW D7 193	1	96	148
GW D7 194	1	96	148
GW D7 195	1	96	148
GW D7 196	1	96	148
GW D7 197	1	96	148
GW D7 198	1	96	148
GW D7 199	1	96	148
GW D7 200	1	96	148
GW D7 201	1	21	150
GW D7 202	1	21	150
GW D7 203	1	21	150
GW D7 204	1	21	150
GW D7 205	1	21	150
GW D7 206	1	70	150
GW D7 207	1	70	150
GW D7 211	1	21	150
GW D7 212	1	21	150
GW D7 213	1	21	150
GW D7 214	1	21	150
GW D7 215	1	21	150
GW D7 216	1	35	150
GW D7 217	1	70	150
GW D7 221	1	21	150
GW D7 222	1	21	150
GW D7 223	1	21	150
GW D7 224	1	21	150
GW D7 225	1	21	150
GW D7 226	1	21	150
GW D7 227	1	21	150
GW D7 231	1	21	150
GW D7 232	1	21	150
GW D7 233	1	21	150
GW D7 234	1	21	150
GW D7 235	1	21	150
GW D7 236	1	21	150
GW D7 237	1	21	150

Code	Quantity		Page
	Pack/carton	Pallet	
GW D7 241	1	21	151
GW D7 242	1	21	151
GW D7 243	1	21	151
GW D7 244	1	21	151
GW D7 245	1	21	151
GW D7 246	1	21	151
GW D7 247	1	21	151
GW D7 251	1	21	151
GW D7 252	1	21	151
GW D7 253	1	21	151
GW D7 254	1	21	151
GW D7 255	1	21	151
GW D7 256	1	21	151
GW D7 257	1	21	151
GW D7 261	1	21	151
GW D7 262	1	21	151
GW D7 263	1	21	151
GW D7 264	1	21	151
GW D7 265	1	21	151
GW D7 266	1	21	151
GW D7 267	1	21	151
GW D7 271	1	21	151
GW D7 272	1	21	151
GW D7 273	1	21	151
GW D7 274	1	21	151
GW D7 275	1	21	151
GW D7 276	1	21	151
GW D7 277	1	21	151
GW D7 281	1	21	151
GW D7 282	1	21	151
GW D7 283	1	21	151
GW D7 284	1	21	151
GW D7 291	1	21	152
GW D7 292	1	21	152
GW D7 293	1	21	152
GW D7 294	1	21	152
GW D7 301	1	12	153
GW D7 302	1	12	153
GW D7 303	1	12	153
GW D7 304	1	12	153
GW D7 305	1	12	153
GW D7 311	1	12	153
GW D7 312	1	12	153
GW D7 313	1	12	153
GW D7 314	1	12	153
GW D7 315	1	12	153
GW D7 321	1	12	153
GW D7 322	1	12	153
GW D7 323	1	12	153
GW D7 324	1	12	153
GW D7 325	1	12	153
GW D7 331	1	12	153
GW D7 332	1	12	153
GW D7 333	1	12	153
GW D7 334	1	12	153
GW D7 335	1	12	153
GW D7 341	1	12	154
GW D7 342	1	12	154
GW D7 343	1	12	154
GW D7 344	1	12	154
GW D7 345	1	12	154
GW D7 346	1	12	154
GW D7 347	1	12	154
GW D7 348	1	12	154
GW D7 349	1	12	154

Code	Quantity		Page
	Pack/carton	Pallet	
GW D7 350	1	12	154
GW D7 351	1	12	154
GW D7 352	1	12	154
GW D7 353	1	12	154
GW D7 354	1	12	154
GW D7 355	1	12	154
GW D7 356	1	12	154
GW D7 361	1	12	154
GW D7 362	1	12	154
GW D7 363	1	12	154
GW D7 364	1	12	154
GW D7 365	1	12	154
GW D7 366	1	12	154
GW D7 367	1	12	154
GW D7 368	1	12	154
GW D7 369	1	12	154
GW D7 370	1	12	154
GW D7 371	1	12	154
GW D7 372	1	12	154
GW D7 373	1	12	154
GW D7 374	1	12	154
GW D7 375	1	12	154
GW D7 376	1	12	154
GW D7 381	1	12	155
GW D7 382	1	12	155
GW D7 383	1	12	155
GW D7 384	1	12	155
GW D7 385	1	12	155
GW D7 386	1	12	155
GW D7 387	1	12	155
GW D7 388	1	12	155
GW D7 389	1	12	155
GW D7 390	1	12	155
GW D7 391	1	12	155
GW D7 392	1	12	155
GW D7 393	1	12	155
GW D7 394	1	12	155
GW D7 395	1	12	155
GW D7 396	1	12	155
GW D7 401	1	12	155
GW D7 402	1	12	155
GW D7 403	1	12	155
GW D7 404	1	12	155
GW D7 405	1	12	155
GW D7 406	1	12	155
GW D7 407	1	12	155
GW D7 408	1	12	155
GW D7 409	1	12	155
GW D7 410	1	12	155
GW D7 411	1	12	155
GW D7 412	1	12	155
GW D7 413	1	12	155
GW D7 414	1	12	155
GW D7 415	1	12	155
GW D7 416	1	12	155
GW D7 421	1	12	156
GW D7 422	1	12	156
GW D7 423	1	12	156
GW D7 424	1	12	156
GW D7 425	1	12	156
GW D7 426	1	12	156
GW D7 427	1	12	156
GW D7 428	1	12	156
GW D7 429	1	12	156
GW D7 430	1	12	156

Code	Quantity		Page
	Pack/carton	Pallet	
GW D7 431	1	12	156
GW D7 432	1	12	156
GW D7 433	1	12	156
GW D7 434	1	12	156
GW D7 435	1	12	156
GW D7 436	1	12	156
GW D7 441	1	12	156
GW D7 442	1	12	156
GW D7 443	1	12	156
GW D7 444	1	12	156
GW D7 445	1	12	156
GW D7 446	1	12	156
GW D7 447	1	12	156
GW D7 448	1	12	156
GW D7 449	1	12	156
GW D7 450	1	12	156
GW D7 451	1	12	156
GW D7 452	1	12	156
GW D7 453	1	12	156
GW D7 454	1	12	156
GW D7 455	1	12	156
GW D7 456	1	12	156
GW D7 461	1	12	157
GW D7 462	1	12	157
GW D7 463	1	12	157
GW D7 464	1	12	157
GW D7 465	1	12	157
GW D7 466	1	12	157
GW D7 467	1	12	157
GW D7 468	1	12	157
GW D7 469	1	12	157
GW D7 470	1	12	157
GW D7 471	1	12	157
GW D7 472	1	12	157
GW D7 473	1	12	157
GW D7 474	1	12	157
GW D7 475	1	12	157
GW D7 476	1	12	157
GW D7 481	1	12	157
GW D7 482	1	12	157
GW D7 483	1	12	157
GW D7 484	1	12	157
GW D7 485	1	12	157
GW D7 486	1	12	157
GW D7 487	1	12	157
GW D7 488	1	12	157
GW D7 489	1	12	157
GW D7 490	1	12	157
GW D7 491	1	12	157
GW D7 492	1	12	157
GW D7 493	1	12	157
GW D7 494	1	12	157
GW D7 495	1	12	157
GW D7 496	1	12	157
GW D7 501	1	12	158
GW D7 502	1	12	158
GW D7 503	1	12	158
GW D7 506	1	12	158
GW D7 507	1	12	158
GW D7 508	1	12	158
GW D7 511	1	12	158
GW D7 512	1	12	158
GW D7 513	1	12	158
GW D7 516	1	12	158
GW D7 517	1	12	158

Code	Quantity		Page
	Pack/carton	Pallet	
GW D7 518	1	12	158
GW D7 521	1	12	158
GW D7 522	1	12	158
GW D7 523	1	12	158
GW D7 526	1	12	158
GW D7 527	1	12	158
GW D7 528	1	12	158
GW D7 532	1	12	159
GW D7 534	1	12	159
GW D7 536	1	12	159
GW D7 538	1	12	159
GW D7 539	1	12	159
GW D7 540	1	12	159
GW D7 541	1	12	159
GW D7 542	1	12	159
GW D7 552	1	12	159
GW D7 554	1	12	159
GW D7 556	1	12	159
GW D7 558	1	12	159
GW D7 559	1	12	159
GW D7 560	1	12	159
GW D7 561	1	12	159
GW D7 562	1	12	159
GW D7 572	1	12	159
GW D7 574	1	12	159
GW D7 576	1	12	159
GW D7 578	1	12	159
GW D7 579	1	12	159
GW D7 580	1	12	159
GW D7 581	1	12	159
GW D7 582	1	12	159
GW D7 592	1	12	159
GW D7 594	1	12	159
GW D7 596	1	12	159
GW D7 598	1	12	159
GW D7 599	1	12	159
GW D7 600	1	12	159
GW D7 601	1	12	159
GW D7 602	1	12	159
GW D7 612	1	12	160
GW D7 614	1	12	160
GW D7 616	1	12	160
GW D7 618	1	12	160
GW D7 619	1	12	160
GW D7 620	1	12	160
GW D7 621	1	12	160
GW D7 622	1	12	160
GW D7 632	1	12	160
GW D7 634	1	12	160
GW D7 636	1	12	160
GW D7 638	1	12	160
GW D7 639	1	12	160
GW D7 640	1	12	160
GW D7 641	1	12	160
GW D7 642	1	12	160
GW D7 652	1	12	160
GW D7 654	1	12	160
GW D7 656	1	12	160
GW D7 658	1	12	160
GW D7 659	1	12	160
GW D7 660	1	12	160
GW D7 661	1	12	160
GW D7 662	1	12	160
GW D7 672	1	12	160
GW D7 674	1	12	160

Code	Quantity		Page
	Pack/carton	Pallet	
GW D7 676	1	12	160
GW D7 678	1	12	160
GW D7 679	1	12	160
GW D7 680	1	12	160
GW D7 681	1	12	160
GW D7 682	1	12	160
GW D7 701	1	8	161
GW D7 702	1	9	161
GW D7 706	1	8	161
GW D7 707	1	8	161
GW D7 710	1	8	161
GW D7 711	1	8	161
GW D7 716	1	8	161
GW D7 717	1	8	161
GW D7 721	1	0	161
GW D7 722	1	0	161
GW D7 726	1	0	161
GW D7 727	1	8	161
GW D7 731	1	0	162
GW D7 732	1	0	162
GW D7 733	1	0	162
GW D7 734	1	0	162
GW D7 735	1	6	162
GW D7 736	1	0	162
GW D7 737	1	0	162
GW D7 738	1	0	162
GW D7 739	1	8	162
GW D7 740	1	0	162
GW D7 741	1	0	162
GW D7 742	1	0	162
GW D7 751	1	40	162
GW D7 752	1	0	162
GW D7 753	1	0	162
GW D7 754	1	0	162
GW D7 755	1	0	162
GW D7 756	1	0	162
GW D7 757	1	5	162
GW D7 758	1	0	162
GW D7 759	1	8	162
GW D7 760	1	8	162
GW D7 761	1	8	162
GW D7 762	1	50	162
GW D7 771	1	0	162
GW D7 772	1	0	162
GW D7 773	1	0	162
GW D7 774	1	0	162
GW D7 775	1	0	162
GW D7 776	1	0	162
GW D7 777	1	0	162
GW D7 778	1	0	162
GW D7 779	1	8	162
GW D7 780	1	8	162
GW D7 781	1	0	162
GW D7 782	1	0	162
GW D7 791	1	0	162
GW D7 792	1	0	162
GW D7 793	1	0	162
GW D7 794	1	0	162
GW D7 795	1	10	162
GW D7 796	1	0	162
GW D7 797	1	0	162
GW D7 798	1	0	162
GW D7 799	1	8	162
GW D7 800	1	0	162
GW D7 801	1	8	162

Quick Reference

Code	Quantity		Page
	Pack/carton	Pallet	
GW D7 802	1	0	162
GW D7 811	1	0	163
GW D7 812	1	0	163
GW D7 813	1	0	163
GW D7 814	1	0	163
GW D7 815	1	0	163
GW D7 816	1	0	163
GW D7 817	1	0	163
GW D7 818	1	0	163
GW D7 819	1	0	163
GW D7 820	1	0	163
GW D7 821	1	0	163
GW D7 822	1	0	163
GW D7 831	1	0	163
GW D7 832	1	0	163
GW D7 833	1	0	163
GW D7 834	1	0	163
GW D7 835	1	0	163
GW D7 836	1	0	163
GW D7 837	1	0	163
GW D7 838	1	0	163
GW D7 839	1	0	163
GW D7 840	1	0	163
GW D7 841	1	0	163
GW D7 842	1	0	163
GW D7 851	1	0	163
GW D7 852	1	0	163
GW D7 853	1	0	163
GW D7 854	1	0	163
GW D7 855	1	0	163
GW D7 856	1	0	163
GW D7 857	1	0	163
GW D7 858	1	0	163
GW D7 859	1	0	163
GW D7 860	1	0	163
GW D7 861	1	0	163
GW D7 862	1	0	163
GW D7 871	1	0	163
GW D7 872	1	0	163
GW D7 873	1	0	163
GW D7 874	1	0	163
GW D7 875	1	0	163
GW D7 876	1	0	163
GW D7 877	1	0	163
GW D7 878	1	0	163
GW D7 879	1	0	163
GW D7 880	1	0	163
GW D7 881	1	0	163
GW D7 882	1	0	163
GW D7 901	1	96	165
GW D7 902	1	96	165
GW D7 903	1	21	165
GW D7 904	1	21	165
GW D7 905	1	12	166
GW D7 906	1	12	166
GW D7 907	1	12	166
GW D7 908	1	12	166
GW D7 909	1	12	166
GW D7 910	1	12	166
GW D7 911	1	8	166
GW D7 912	1	8	166
GW D7 913	1	8	167
GW D7 914	1	8	167
GW D7 931	1	144	146
GW D7 932	1	144	146

Code	Quantity		Page
	Pack/carton	Pallet	
GW D7 933	1	144	146
GW D7 934	1	144	146
GW D7 936	1	50	146
GW D7 937	1	120	146
GW D7 938	1	90	146
GW D7 939	1	50	146

GW D8			
Code	Quantity		Page
	Pack/carton	Pallet	
GW D8 001	1	160	168
GW D8 002	1	116	168
GW D8 003	1	116	168
GW D8 004	1	72	168
GW D8 007	1	42	171
GW D8 007	1	42	171
GW D8 008	1	42	171
GW D8 008	1	42	171
GW D8 009	1	42	171
GW D8 009	1	42	171
GW D8 010	1	42	171
GW D8 010	1	42	171
GW D8 011	1	117	172
GW D8 011	1	117	172
GW D8 012	1	117	172
GW D8 012	1	117	172
GW D8 015	1	64	171
GW D8 015	1	64	171
GW D8 016	1	30	171
GW D8 016	1	30	171
GW D8 017	1	24	171
GW D8 017	1	24	171
GW D8 018	1	24	171
GW D8 018	1	24	171
GW D8 019	1	12	172
GW D8 019	1	12	172
GW D8 020	1	12	172
GW D8 020	1	12	172
GW D8 023	1	64	171
GW D8 023	1	64	171
GW D8 024	1	30	171
GW D8 024	1	30	171
GW D8 025	1	24	171
GW D8 025	1	24	171
GW D8 026	1	24	171
GW D8 026	1	24	171
GW D8 027	1	12	172
GW D8 027	1	12	172
GW D8 028	1	12	172
GW D8 028	1	12	172
GW D8 031	1	0	173
GW D8 032	1	4	173
GW D8 038	1	4	173
GW D8 039	1	4	173
GW D8 045	1	0	173
GW D8 046	1	4	173
GW D8 051	1	195	168
GW D8 052	1	195	168
GW D8 053	1	195	168
GW D8 054	1	195	168
GW D8 055	1	195	169
GW D8 056	1	195	169
GW D8 057	1	160	169
GW D8 058	1	116	169
GW D8 059	1	64	170
GW D8 060	1	64	170
GW D8 066	1	116	171

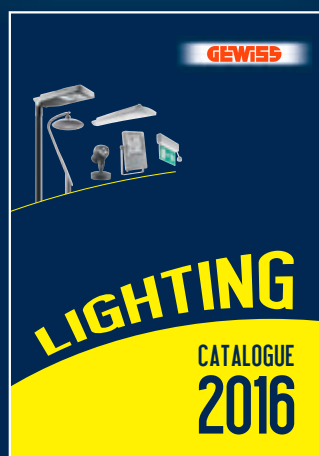
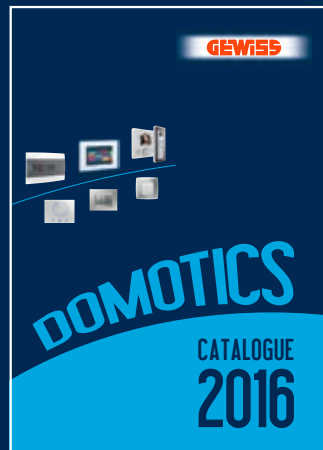
Code	Quantity		Page
	Pack/carton	Pallet	
GW D8 067	1	116	171
GW D8 068	1	64	172
GW D8 069	1	64	172
GW D8 070	1	64	172
GW D8 071	1	64	172
GW D8 072	1	16	173
GW D8 073	1	16	173
GW D8 079	1	12	171
GW D8 080	1	50	173
GW D8 080	1	50	173
GW D8 086	1	195	176
GW D8 087	1	195	176
GW D8 091	1	195	176
GW D8 092	1	144	176
GW D8 093	1	160	176
GW D8 094	1	116	176
GW D8 101	1	195	176
GW D8 102	1	195	176
GW D8 103	1	195	176
GW D8 104	1	195	176
GW D8 105	1	195	176
GW D8 106	1	195	176
GW D8 107	1	195	176
GW D8 108	1	195	176
GW D8 109	1	195	176
GW D8 110	1	195	176
GW D8 111	1	195	176
GW D8 117	1	195	177
GW D8 118	1	195	177
GW D8 119	1	195	177
GW D8 120	1	195	177
GW D8 121	1	195	177
GW D8 122	1	195	177
GW D8 123	1	195	177
GW D8 124	1	195	177
GW D8 125	1	195	177
GW D8 126	1	195	177
GW D8 133	1	195	175
GW D8 134	1	195	175
GW D8 135	1	195	175
GW D8 136	1	160	177
GW D8 141	1	195	177
GW D8 142	1	195	177
GW D8 143	1	195	177
GW D8 144	1	195	177
GW D8 145	1	195	177
GW D8 146	1	195	177
GW D8 151	1	195	177
GW D8 152	1	195	177
GW D8 158	1	195	175
GW D8 159	1	195	175
GW D8 160	1	195	175
GW D8 164	1	195	175
GW D8 165	1	195	175
GW D8 166	1	195	175
GW D8 167	1	195	175
GW D8 171	1	96	178
GW D8 172	1	96	178
GW D8 173	1	96	178
GW D8 174	1	96	178
GW D8 175	1	96	178
GW D8 176	1	96	178
GW D8 181	1	200	179
GW D8 182	1	0	179
GW D8 183	1	96	179

Code	Quantity		Page
	Pack/carton	Pallet	
GW D8 184	1	96	179
GW D8 185	1	0	179
GW D8 186	1	0	179
GW D8 187	1	42	179
GW D8 188	1	26	179
GW D8 189	1	26	179
GW D8 190	1	26	179
GW D8 191	1	26	179
GW D8 192	1	26	179
GW D8 193	1	0	179
GW D8 194	1	0	179
GW D8 195	1	0	179
GW D8 196	1	0	179
GW D8 197	1	195	179
GW D8 198	1	195	179
GW D8 201	1	195	180
GW D8 202	1	0	180
GW D8 205	1	195	180
GW D8 206	1	195	180
GW D8 207	1	195	180
GW D8 210	1	195	180
GW D8 213	1	195	181
GW D8 214	1	195	181
GW D8 217	1	195	181
GW D8 218	1	195	181
GW D8 221	1	96	180
GW D8 222	1	96	180
GW D8 223	1	48	180
GW D8 224	1	96	180
GW D8 226	1	42	181
GW D8 230	1	8	181
GW D8 231	1	80	181
GW D8 234	1	80	181
GW D8 235	1	0	181
GW D8 236	1	0	181
GW D8 237	1	16	182
GW D8 238	1	14	182
GW D8 239	1	195	182
GW D8 241	1	24	167
GW D8 242	1	30	167
GW D8 243	1	30	167
GW D8 244	1	12	167
GW D8 245	1	12	167
GW D8 246	1	12	167
GW D8 247	1	24	167
GW D8 248	1	48	167
GW D8 249	1	40	167
GW D8 261	1	195	182
GW D8 262	1	195	182
GW D8 263	1	160	182
GW D8 264	1	116	182
GW D8 265	1	160	182
GW D8 266	1	160	182
GW D8 271	1	195	185
GW D8 272	1	195	185
GW D8 273	1	195	185
GW D8 274	1	144	185
GW D8 275	1	64	185
GW D8 276	1	64	185
GW D8 281	1	195	185
GW D8 282	1	195	185
GW D8 283	1	160	185
GW D8 284	1	64	185
GW D8 285	1	64	185
GW D8 286	1	42	185

Code	Quantity		Page
	Pack/carton	Pallet	
GW D8 291	1	195	185
GW D8 292	1	195	185
GW D8 293	1	195	185
GW D8 294	1	195	185
GW D8 295	1	195	185
GW D8 296	1	116	185
GW D8 301	1	195	185
GW D8 302	1	195	185
GW D8 303	1	195	185
GW D8 304	1	195	185
GW D8 305	1	116	185
GW D8 306	1	42	185
GW D8 309	1	195	186
GW D8 310	1	195	186
GW D8 311	1	195	186
GW D8 312	1	195	186
GW D8 313	1	195	186
GW D8 314	1	195	186
GW D8 315	1	195	186
GW D8 316	1	195	186
GW D8 321	1	195	183
GW D8 322	1	195	183
GW D8 323	1	195	183
GW D8 324	1	195	183
GW D8 325	1	120	183
GW D8 326	1	195	183
GW D8 327	1	195	183
GW D8 328	1	195	183
GW D8 329	1	195	183
GW D8 330	1	195	183
GW D8 331	1	120	183
GW D8 332	1	195	183
GW D8 341	1	195	184
GW D8 342	1	195	184
GW D8 343	1	195	184
GW D8 344	1	144	184
GW D8 345	1	195	184
GW D8 346	1	144	184
GW D8 347	1	116	184
GW D8 348	1	64	184
GW D8 349	1	195	184
GW D8 350	1	195	184
GW D8 351	1	195	184
GW D8 352	1	144	184
GW D8 353	1	195	184
GW D8 354	1	144	184
GW D8 355	1	116	184
GW D8 356	1	64	184
GW D8 361	1	116	183
GW D8 362	1	116	183
GW D8 363	1	120	183
GW D8 364	1	120	183
GW D8 365	1	160	183
GW D8 366	1	160	183
GW D8 367	1	116	183
GW D8 368	1	116	183
GW D8 369	1	120	183
GW D8 370	1	120	183
GW D8 371	1	160	183
GW D8 381	1	195	183
GW D8 382	1	195	183
GW D8 383	1	195	183
GW D8 384	1	160	183
GW D8 385	1	195	183
GW D8 386	1	195	183

Code	Quantity		Page
	Pack/carton	Pallet	
GW D8 387	1	195	183
GW D8 388	1	160	183
GW D8 391	1	160	184
GW D8 392	1	116	184
GW D8 393	1	160	184
GW D8 394	1	116	184
GW D8 401	1	195	184
GW D8 402	1	195	184
GW D8 403	1	195	184
GW D8 404	1	195	184
GW D8 405	1	116	184
GW D8 406	1	195	184
GW D8 407	1	195	184
GW D8 408	1	195	184
GW D8 409	1	195	184
GW D8 410	1	116	184
GW D8 416	1	195	185
GW D8 417	1	195	185
GW D8 418	1	195	185
GW D8 421	1	66	187
GW D8 422	1	60	187

GWD9			
GW D9 901	1	28	114
GW D9 902	1	20	114
GW D9 903	1	20	114
GW D9 906	1	20	114
GW D9 907	1	20	114
GW D9 908	1	20	114



Visit www.gewiss.com and follow us on

