

SEGS12B32, SEGS24B32, SEGS48B32, SEGS23B32
 Single Low Intensity Obstruction Light

PHOTOMETRIC STANDARD COMPLIANCE

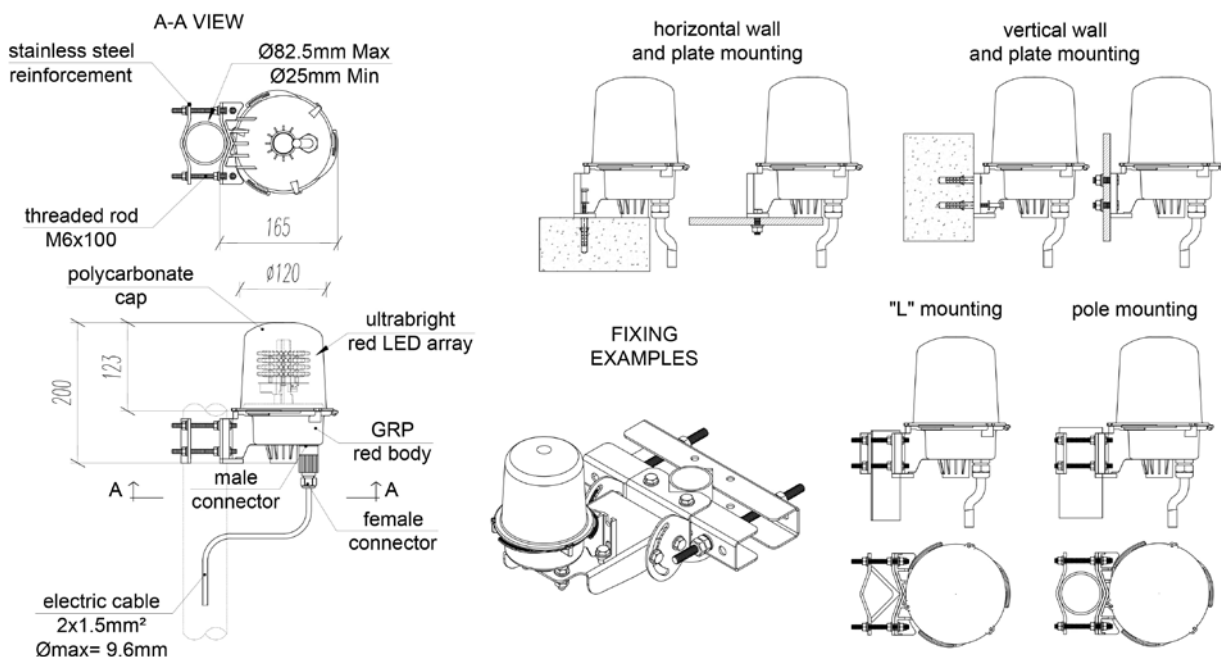
ICAO ANNEX 14, VOLUME I;
TYPE B - LOW INTENSITY OBSTACLE LIGHT;

FAA AC 150/5345-43F
TYPE L-810.
KEY FEATURES & BENEFITS

- designed and manufactured in Italy by Clampco Sistemi
- resistance to corrosion
- long life source
- easy way for mounting – plug 'n' play connection
- the lowest weight in the market


SPECIFICATIONS

	SEGS12B32	SEGS24B32	SEGS48B32	SEGS23B32
Order Code				
Typical use	Night time			
Light source	LED			
Type of beacon	Steady			
Colour	Red according to CIE Chromaticity Boundary			
Light Intensity	>32.5 cd			
Horizontal coverage	360°			
Input voltage	12 Vdc	24 Vdc	48 Vdc	110 – 230 Vac
Power consumption	5 W	5 W	5 W	5 W
Average life	100 000 hours			
Temperature range	from -40 °C to +55 °C			
Protection degree	IP66			
Material of the body	Glass Reinforced Plastic red body (UL94-HB)			
Material of the transparent cap	Polycarbonate (UL94-V2)			
Connection	M/F connector IP68 for cable up to \varnothing 9-6 mm			
Weight	550 g			
Fixing	Stainless steel anchor basement for poles with diameter up to 82 mm.			
Optional fixing SCSG_HDGS	Mounting hardware for "L" shaped sections (50x50 mm min.; 160x160 mm max.); circular profiles (min. \varnothing = 48,3 mm; max. \varnothing 219.1 mm). Adjustable fixing plate (\pm 60° on the horizontal plan).			

TECHNICAL DRAWINGS


Clampco Sistemi reserves the right to make changes at any time in order to supply the best product possible.