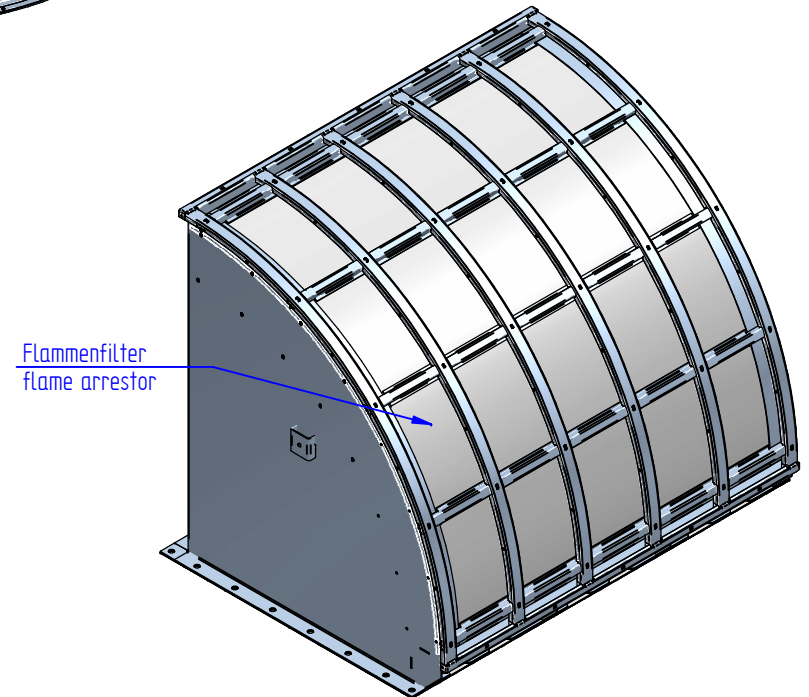
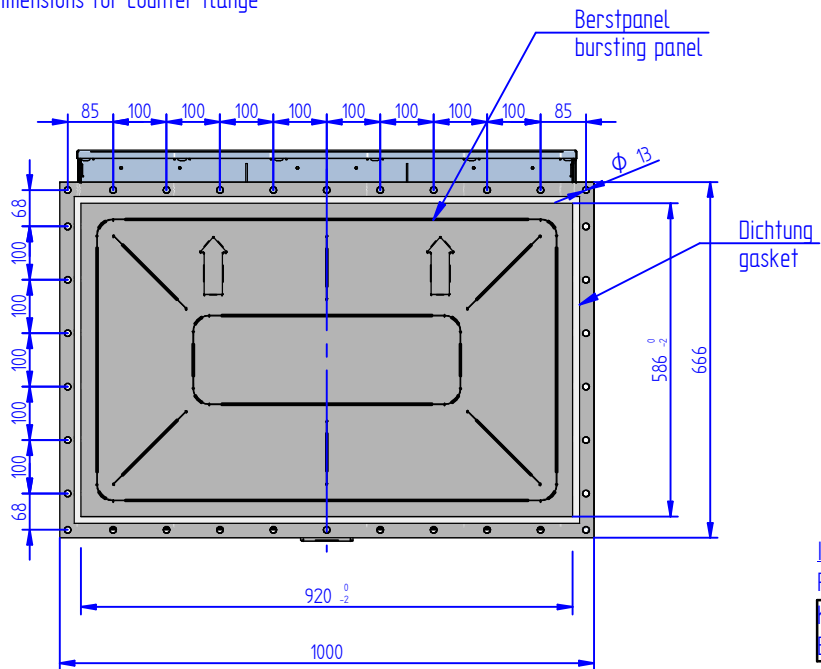


Abmessungen für Befestigungsflansch  
dimensions for counter flange



Installationsempfehlung: M10 oder vergleichbar / Schraubendrehmoment: dichtungsabhängig  
Recommended installation: M10 or equivalent / bolting torque: depends of gasket

Gewicht: ca. 77 kg  
weight: appr. 77 kg

Klingersil: 40Nm  
EPDM/Silikon: 20Nm

A3 scale: 1:10 page: 1/6 KD  
Customer:  
Commission No.:

Q-Box-II  
586x920

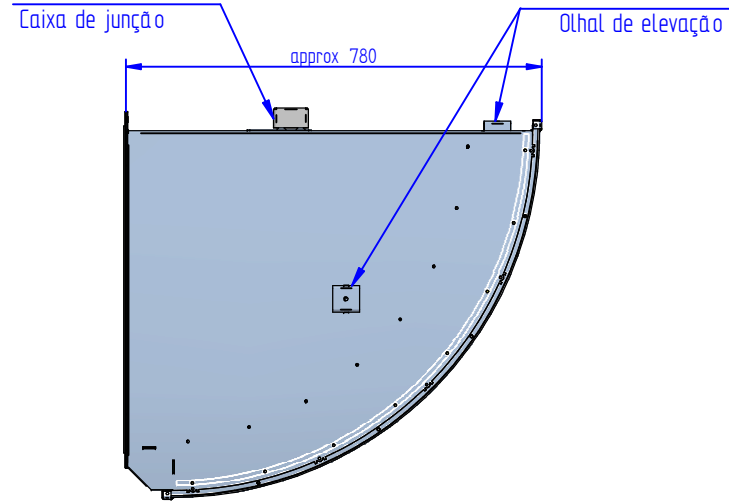
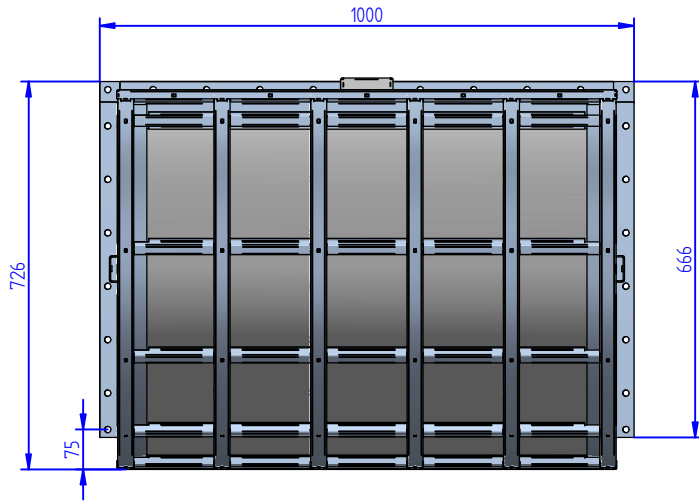


REMBE® GmbH  
Safety + Control  
Brilon, Germany

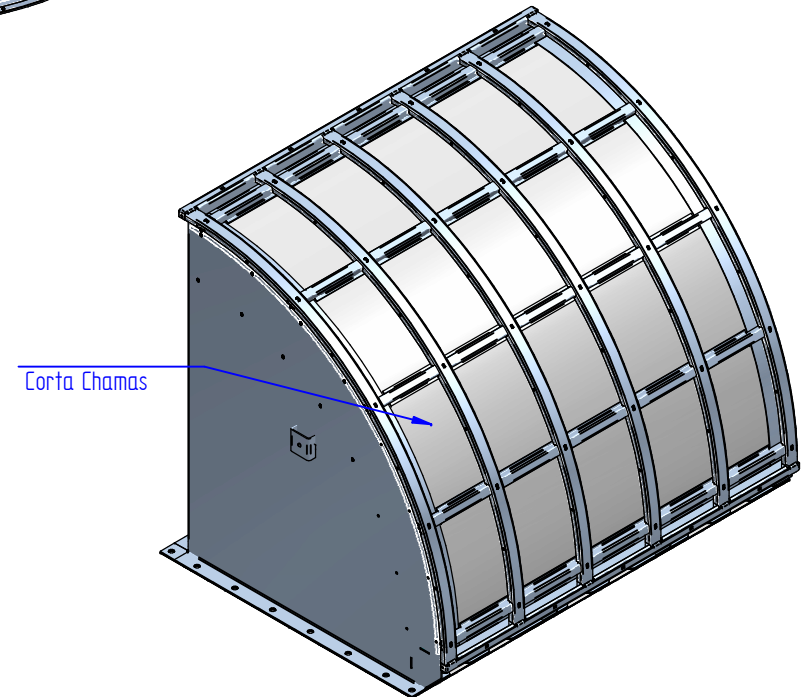
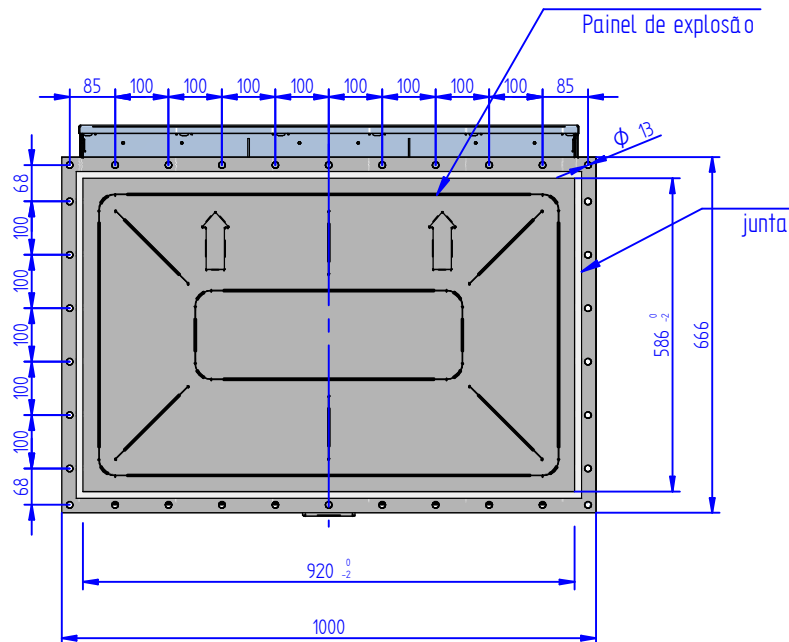
dimensional unit: mm language: DE / GB

This document is protected by copyright. Any transmission, reproduction, sharing or use etc. to third parties is not permitted without the prior written consent of REMBE® GmbH Safety + Control. Technical changes and amendments reserved.

8	CIB	16.11.2016	SMA	16.11.2016	Hinweis / Bohrungs-Ø
7	GJ	06.07.2016	JL	06.07.2016	Bohr-Ø
6	GJ	08.12.2015	Bu	08.12.2015	Bezeichnung PRT
5	GJ	17.07.2015	Bu	17.07.2015	Layout
4	GJ	05.02.2015	Bu	05.02.2015	Layout
3	NiSch	23.08.2007	Bu	23.08.2007	Gewicht 95 -> 77kg
Rev	drwn	date	appd	date	note
Drw.-No.: 05-06-09					General tolerances: ISO 2768-mK Surface: ISO 1502 Edges: ISO 15715 Tolerances: ISO 8015
N:\SE-CAD\IO-BOX\586x920\05-06-09_Rev8_Q-Box-II_586x920.dft					N:\SE-CAD\IO-BOX\586x920\05-06-09_Rev8_Q-Box-II_586x920.dft



Dimensões para a contra flange:



recomendação de instalação: para M10 ou idêntico / binário de aperto: selo depende

Peso: approx. 77 kg

Klingersil: 40Nm  
EPDM/Silikon: 20Nm

A3 scale: 1:10 page: 2/6 KD  
Customer:  
Commission No.:

Q-Box-II  
586x920



REMBE® GmbH  
Safety + Control  
Brilon, Germany

dimensional unit: mm

language: PRT

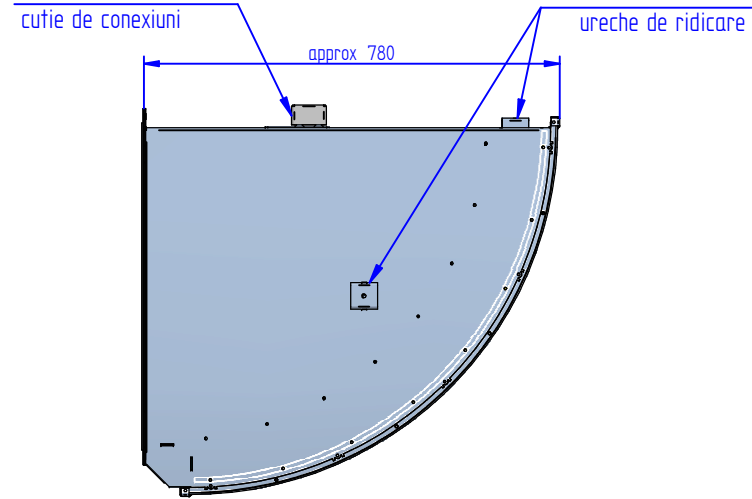
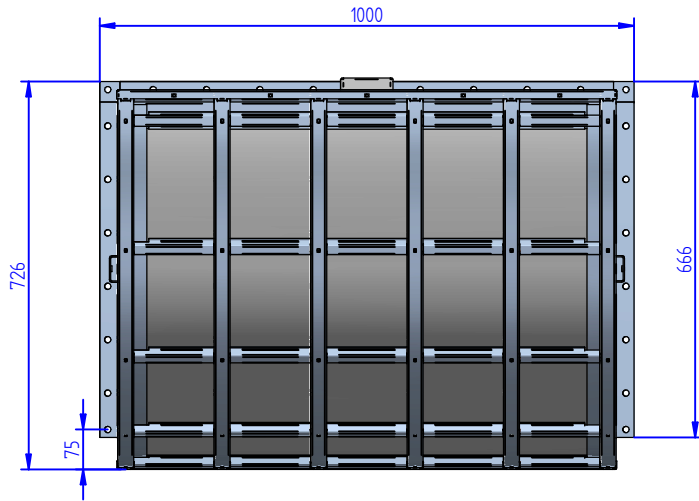
This document is protected by copyright. Any transmission, reproduction, sharing or use etc. to third parties is not permitted without the prior written consent of REMBE® GmbH Safety + Control. Technical changes and amendments reserved.

Rev	drwn	date	appd	date	note
8	CIB	16.11.2016	SMA	16.11.2016	Hinweis / Bohrungs-Ø
7	GJ	06.07.2016	JL	06.07.2016	Bohr-Ø
6	GJ	08.12.2015	Bu	08.12.2015	Bezeichnung PRT
5	GJ	17.07.2015	Bu	17.07.2015	Layout
4	GJ	05.02.2015	Bu	05.02.2015	Layout
3	NiSch	23.08.2007	Bu	23.08.2007	Gewicht 95 -> 77kg

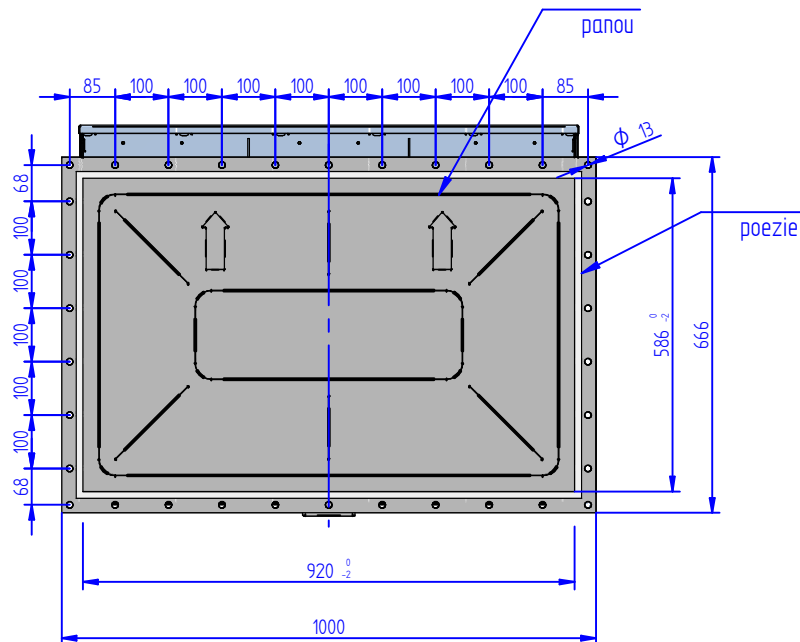
  

General tolerances: ISO 2768-mK
Surface: ISO 1502
Edges: ISO 13715
Tolerances: ISO 8015

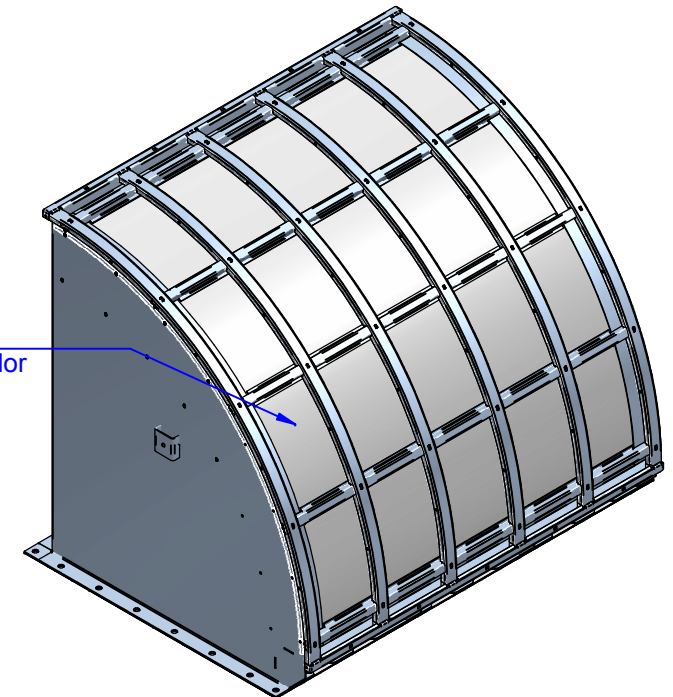
Drw.-No.: 05-06-09  
N:\SE-CAD\O-BOX\586x920\05-06-09\_Rev8\_Q-Box-II\_586x920.dft



flanșă de fixare:



filtrul de siguranță la străpungerea flăcărilor



recomandarea de instalare: pentru M10 sau identic / cuplu de șurub: sigiliu depinde

greutate cca.: 77 kg

Klingersil: 40Nm  
EPDM/Silikon: 20Nm

A3 scale: 1:10 page: 3/6 KD  
Customer:  
Commission No.:

Q-Box-II  
586x920

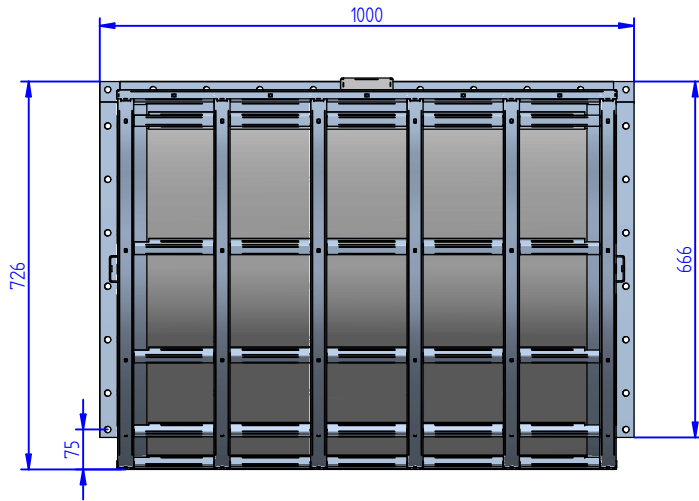


REMBE® GmbH  
Safety + Control  
Brilon, Germany

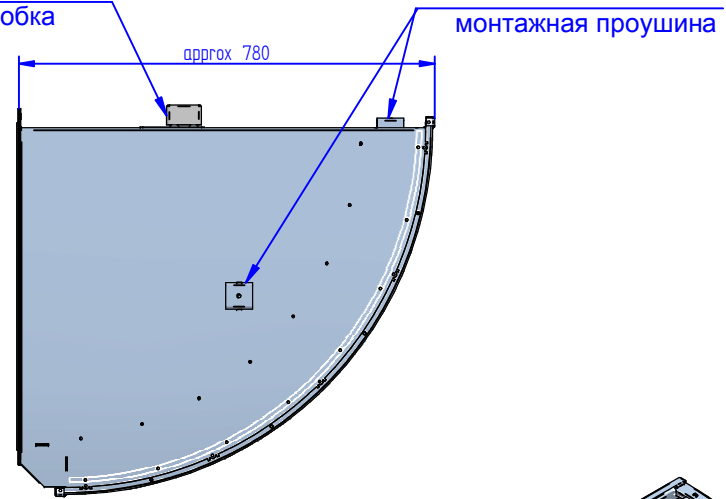
dimensional unit: mm language: RO

This document is protected by copyright. Any transmission, reproduction, sharing or use etc. to third parties is not permitted without the prior written consent of REMBE® GmbH Safety + Control. Technical changes and amendments reserved.

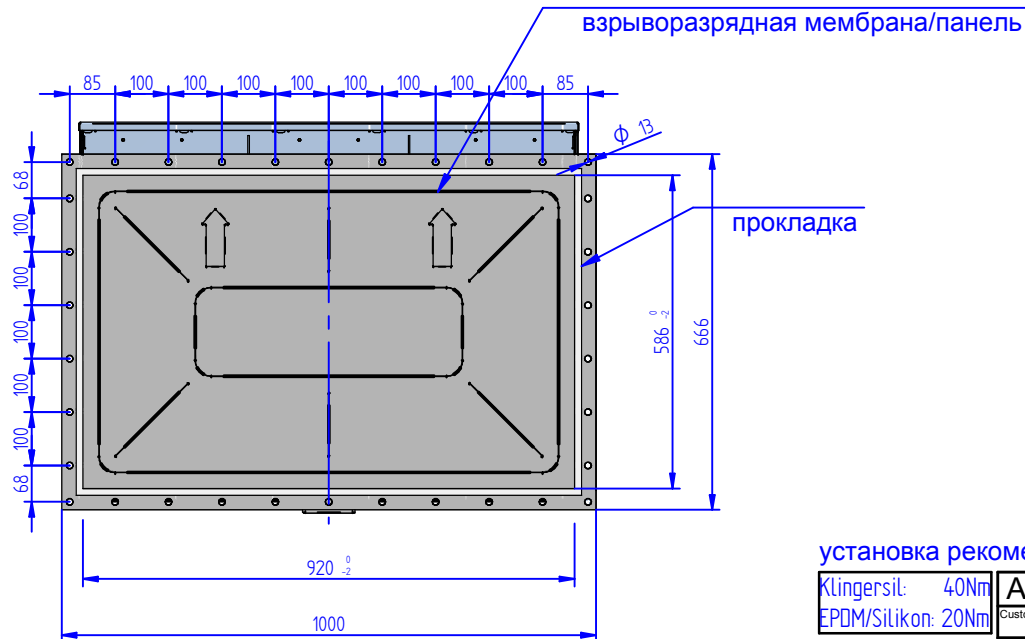
8	CIB	16.11.2016	SMa	16.11.2016	Hinweis / Bohrungs-Ø
7	GJ	06.07.2016	JL	06.07.2016	Bohr-Ø
6	GJ	08.12.2015	Bu	08.12.2015	Bezeichnung PRT
5	GJ	17.07.2015	Bu	17.07.2015	Layout
4	GJ	05.02.2015	Bu	05.02.2015	Layout
3	NiSch	23.08.2007	Bu	23.08.2007	Gewicht 95 -> 77kg
Rev	drwn	date	appd	date	note
Drw.-No.: 05-06-09					General tolerances: ISO 2768-mK
05-06-09_Rev8_Q-Box-II_586x920.dft					Surface: ISO 1502
N:\SE-CAD\Q-BOX\586x920\05-06-09_Rev8_Q-Box-II_586x920.dft					Edges: ISO 13715
					Tolerances: ISO 8015
					N:\SE-CAD\Q-BOX\586x920\05-06-09_Rev8_Q-Box-II_586x920.dft



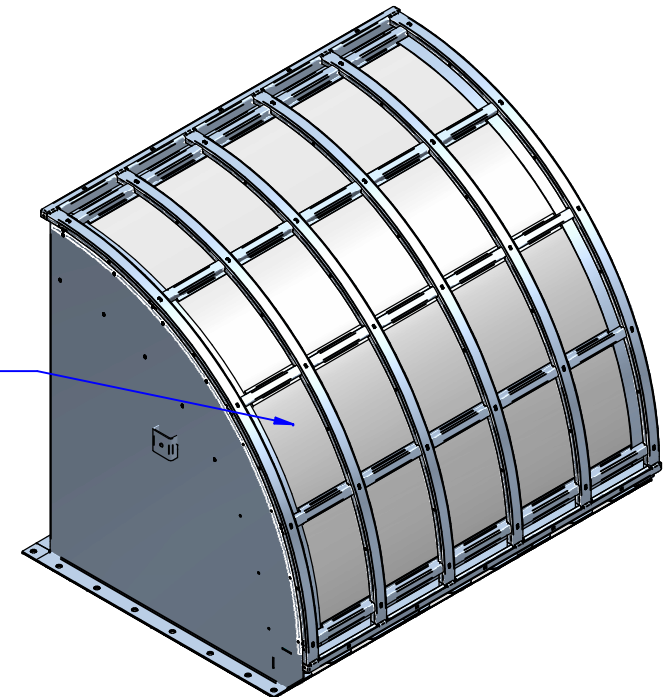
клеммная коробка



крепежный фланец



пламягаситель



вес прибл. 77 kg

установка рекомендация: (для M10 или тождественный) / винт крутящий момент: уплотнение зависит

Klingersil: 40Nm  
EPDM/Silikon: 20Nm

A3 scale: 1:10 page: 4/6 KD  
Customer:  
Commission No.:

Q-Box-II  
586x920



REMBE GmbH  
Safety + Control  
Brilon, Germany

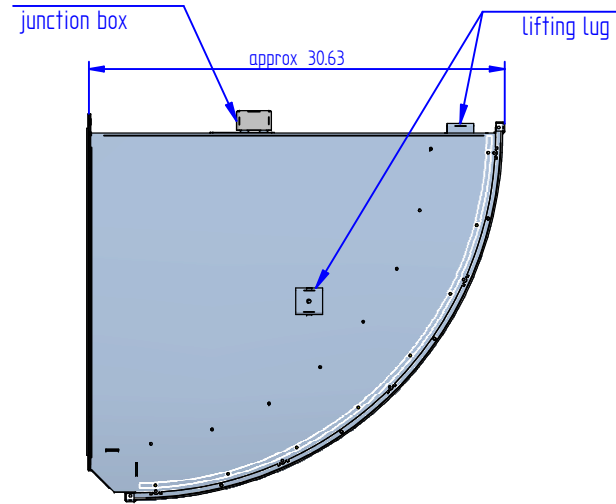
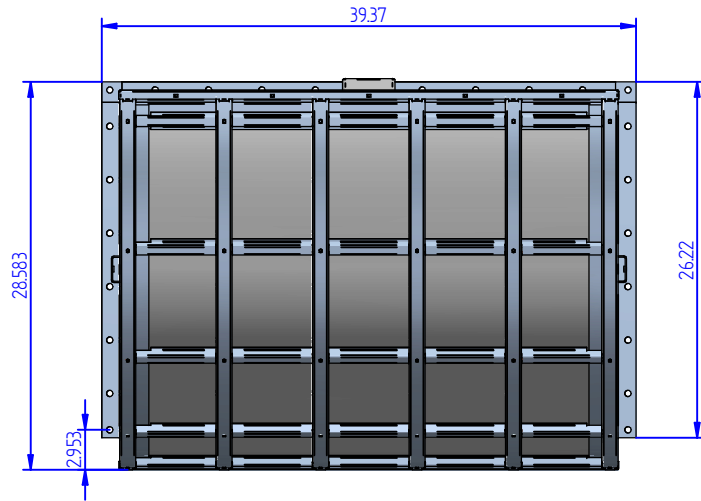
dimensional unit: mm language: RUS

This document is protected by copyright. Any transmission, reproduction, sharing or use etc. to third parties is not permitted without the prior written consent of REMBE GmbH Safety + Control. Technical changes and amendments reserved.

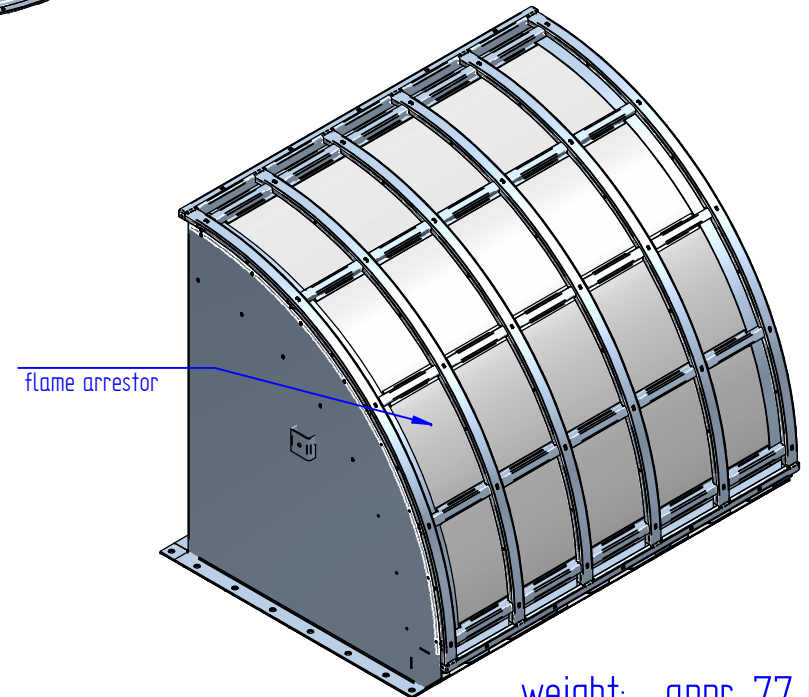
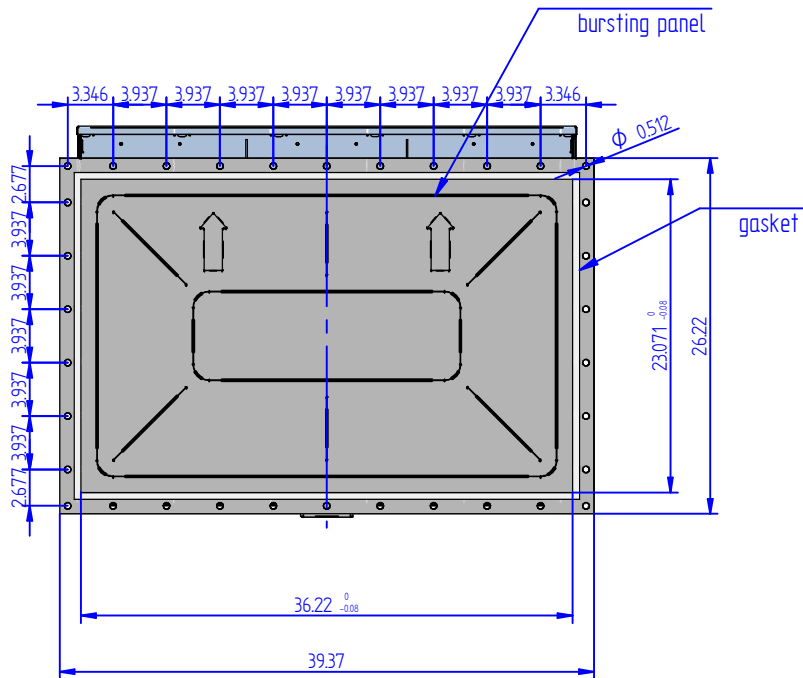
Rev	drwn	date	appd	date	note
8	CIB	16.11.2016	SMA	16.11.2016	Hinweis / Bohrungs-Ø
7	GJ	06.07.2016	JL	06.07.2016	Bohr-Ø
6	GJ	08.12.2015	Bu	08.12.2015	Bezeichnung PRT
5	GJ	17.07.2015	Bu	17.07.2015	Layout
4	GJ	05.02.2015	Bu	05.02.2015	Layout
3	NiSch	23.08.2007	Bu	23.08.2007	Gewicht 95 -> 77kg

General tolerances: ISO 2768-mK  
Surface: ISO 1502  
Edges: ISO 13715  
Tolerances: ISO 8015

Drw.-No.: 05-06-09  
N:\SE-CAD\Q-BOX\586x920\05-06-09\_Rev8\_Q-Box-II\_586x920.dft



dimensions for counter flange



weight: appr. 77 kg  
appr. 170 lbs

Recommended installation: M10 or equivalent / bolting torque: depends of gasket

Klingsil: 40Nm  
EPDM/Silikon: 20Nm

A3 scale: 1:10 page: 5/6 KD  
Customer:

Commission No.:

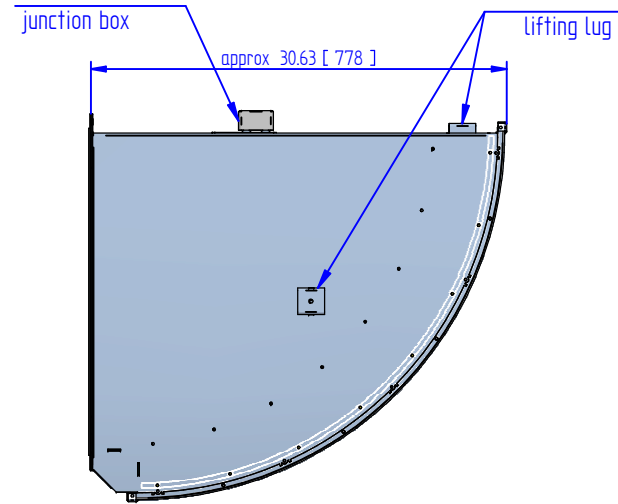
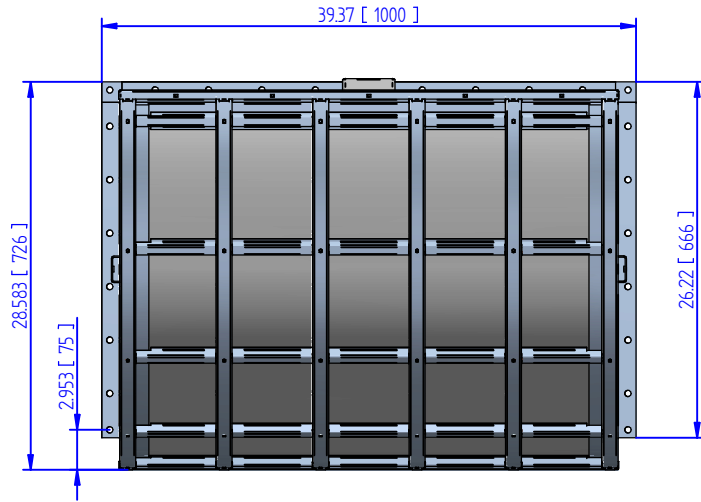


Q-Box-II  
586x920 [23.07x36.22 in]

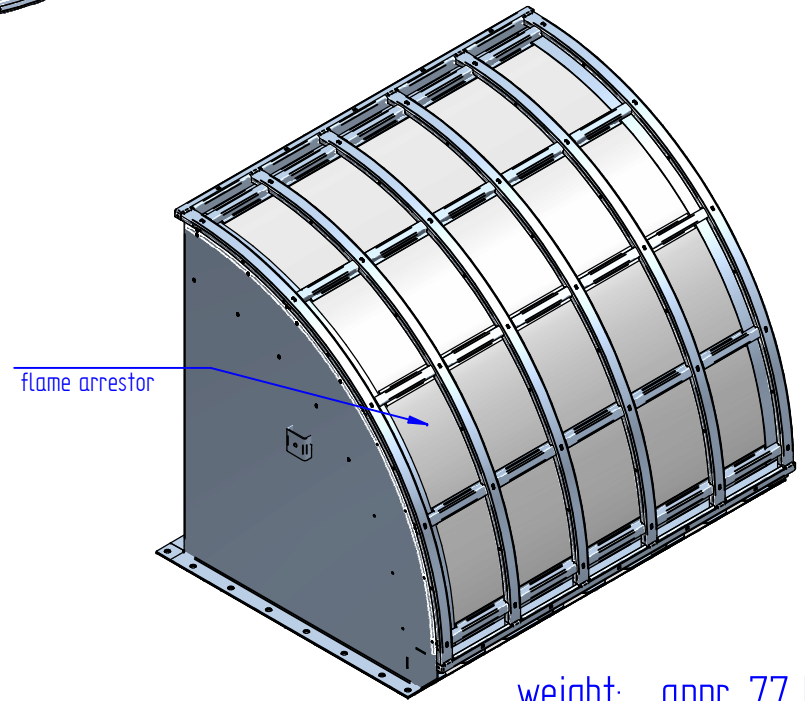
dimensional unit: inch language: US

This document is protected by copyright. Any transmission, reproduction, sharing or use etc. to third parties is not permitted without the prior written consent of REMBE GmbH Safety + Control. Technical changes and amendments reserved.

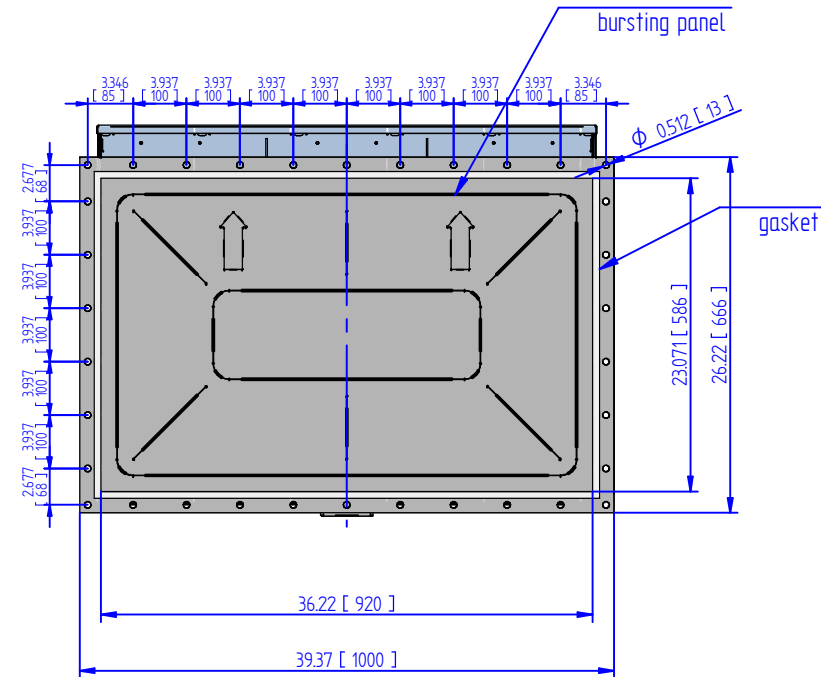
8	CIB	16.11.2016	SMA	16.11.2016	Hinweis / Bohrungs-Ø
7	GJ	06.07.2016	JL	06.07.2016	Bohr-Ø
6	GJ	08.12.2015	Bu	08.12.2015	Bezeichnung PRT
5	GJ	17.07.2015	Bu	17.07.2015	Layout
4	GJ	05.02.2015	Bu	05.02.2015	Layout
3	NiSch	23.08.2007	Bu	23.08.2007	Gewicht 95 -> 77kg
Rev	drwn	date	appd	date	note
Drw.-No.: 05-06-09					General tolerances: ISO 2768-mK
05-06-09_Rev8_Q-Box-II_586x920.dft					Surface: ISO 1502
N:\SE-CAD\Q-BOX\586x920\05-06-09_Rev8_Q-Box-II_586x920.dft					Edges: ISO 13715
					Tolerances: ISO 8015



dimensions for counter flange



weight: appr. 77 kg  
appr. 170 lbs



Recommended installation: M10 or equivalent / bolting torque: depends of gasket

Klingsil: 40Nm  
EPDM/Silikon: 20Nm

A3 scale: 1:10 page: 6/6 KD  
Customer:

Commission No.:

Q-Box-II  
586x920 [23.07x36.22 in]



dimensional unit: in [mm] language: US  
This document is protected by copyright. Any transmission, reproduction, sharing or use etc. to third parties is not permitted without the prior written consent of REMBE GmbH Safety + Control. Technical changes and amendments reserved.

8	CIB	16.11.2016	SMA	16.11.2016	Hinweis / Bohrungs-Ø
7	GJ	06.07.2016	JL	06.07.2016	Bohr-Ø
6	GJ	08.12.2015	Bu	08.12.2015	Bezeichnung PRT
5	GJ	17.07.2015	Bu	17.07.2015	Layout
4	GJ	05.02.2015	Bu	05.02.2015	Layout
3	NiSch	23.08.2007	Bu	23.08.2007	Gewicht 95 -> 77kg
Rev	drwn	date	appd	date	note
Drw.-No.: 05-06-09					General tolerances: ISO 2768-mK
05-06-09_Rev8_Q-Box-II_586x920.dft					Surface: ISO 1302
N:\SE-CAD\Q-BOX\586x920\05-06-09_Rev8_Q-Box-II_586x920.dft					Edges: ISO 13715
					Tolerance: ISO 8015