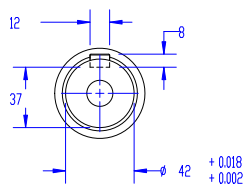
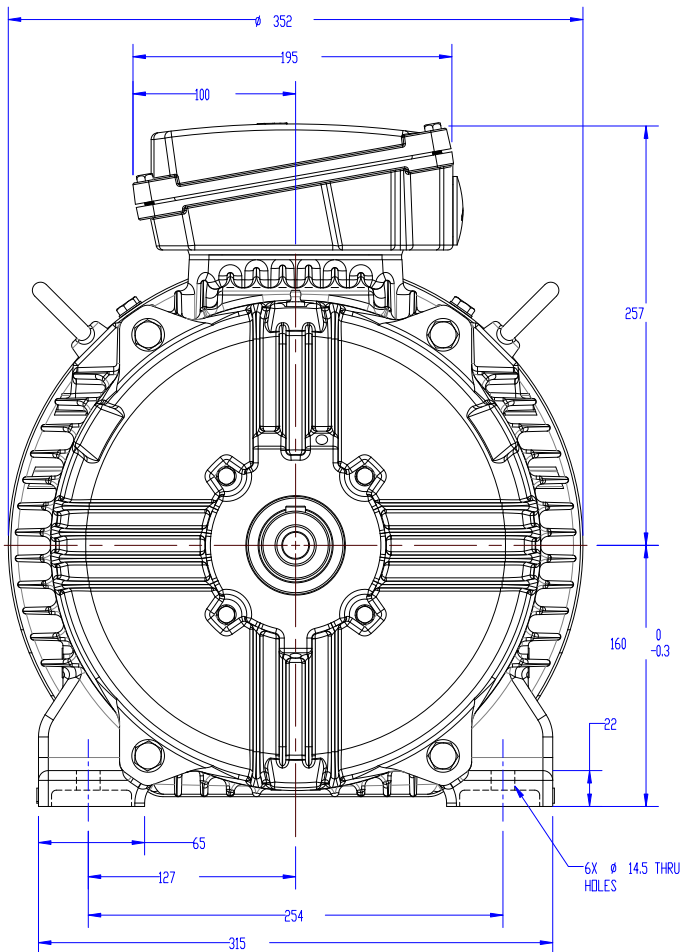
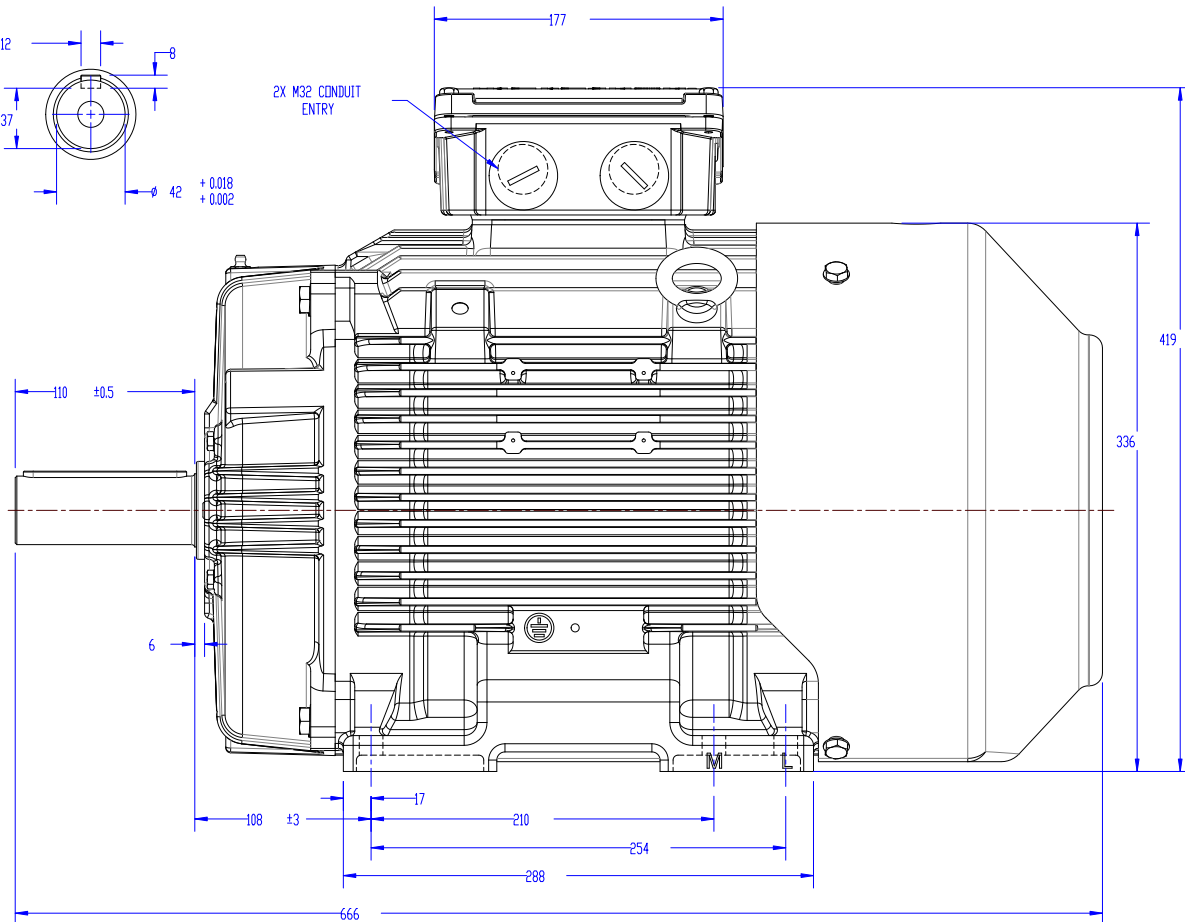


OUTLINE



2X M32 CONDUIT ENTRY



DRAWING REVISION	REVISION BY	DATE
ECD	APPROVED BY	DATE
ECCO DESCRIPTION		
<small> COPYRIGHT REGAL BELLET AMERICA, INC. ALL RIGHTS RESERVED. PROPRIETARY AND CONFIDENTIAL INFORMATION - THIS DOCUMENT IS THE PROPERTY OF REGAL BELLET AMERICA, INC. (RBA) AND CONTAINS OWNERS PROPRIETARY INFORMATION. ANY PERSON, CORPORATION OR OTHER FIRM RECEIVING IT IS HEREBY ADVISED THAT IT, AND/OR ANY PART OF IT, SHALL NOT BE DISCLOSED TO ANY PERSON, CORPORATION OR OTHER ENTITY, UNLESS SUCH DISCLOSURE IS EXPRESSLY APPROVED IN WRITING IN ADVANCE BY OWNER. THIS DOCUMENT SHALL BE RETURNED TO OWNER UPON REQUEST. IT MAY BE SUBJECT TO CERTAIN RESTRICTIONS UNDER APPLICABLE EXPORT CONTROL LAWS AND REGULATIONS. </small>		

DRAWN BY	SDV
DATE	11/04/2014
APPROVED BY	SBD
DATE	11/04/2014
REFERENCE	
THIRD ANGLE PROJECTION	

marathon Motors	
OUTLINE	
160FR B3-MTG MOTOR TYPE TCA	
MATERIAL	PROCESS/FINISH
SIZE	B
DRAWING NUMBER	0216000441
SHEET	1 OF 1