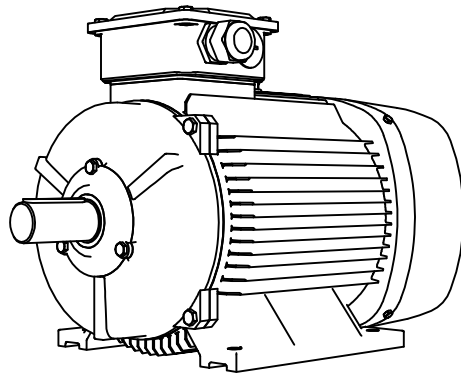
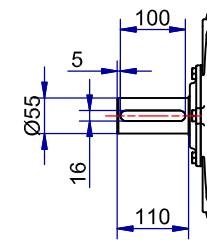


Shaft detail



01-IP55-Cast Iron-IE2-200L B3-6