

# 1 Dimension sheets

## Sigma/ 2 Control type S2Cb

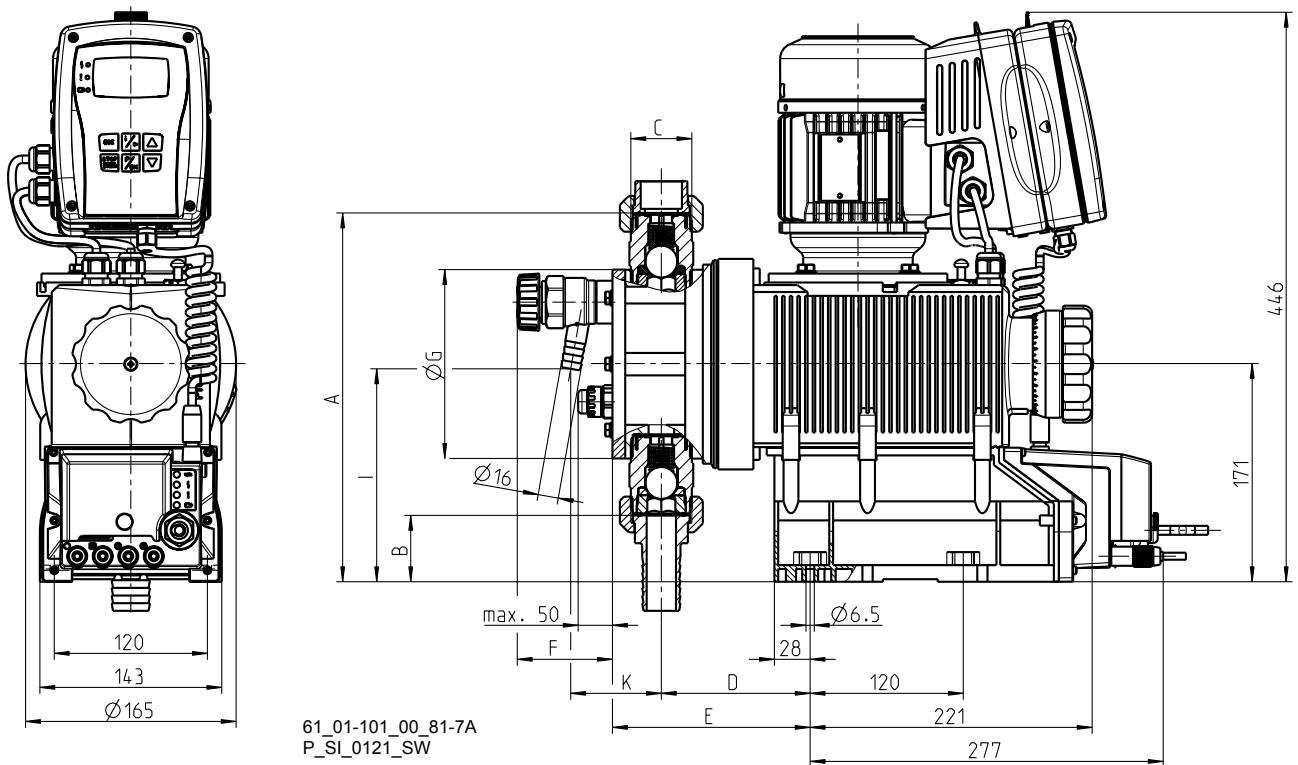


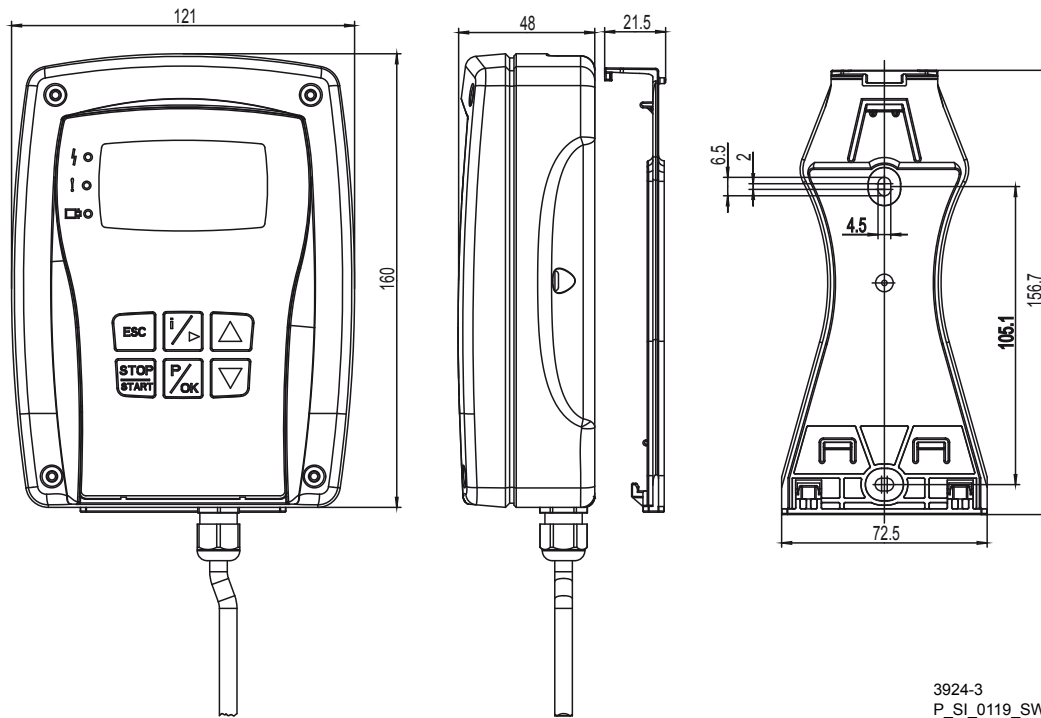
Fig. 1: Dimensions in mm

Type	Anschluss Connection	A	B	C	D	E	F	ØG	I	K
16050, 16090, 16130 PVT	DN 15	253	89	G1 A	111	144	72	122	149	63
16050, 16090, 16130 SST	DN 15	253	88	G1 A	110	133	88	124	123	53
04350, 07120, 07220 PVT	DN 25	289	52	G1 1/2 A	117	155	75	156	168	71
04350, 07120, 07220 SST	DN 25	289	53	G1 1/2 A	117	147	88	162	141	60

### Tube nozzle relief valve with thread

Thread	ØS
G 3/4 A	16

HMI and wall bracket



3924-3  
P\_SI\_0119\_SW

Fig. 2: Dimensions in mm