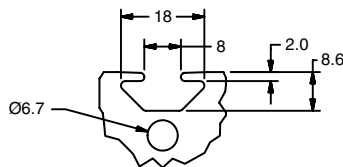


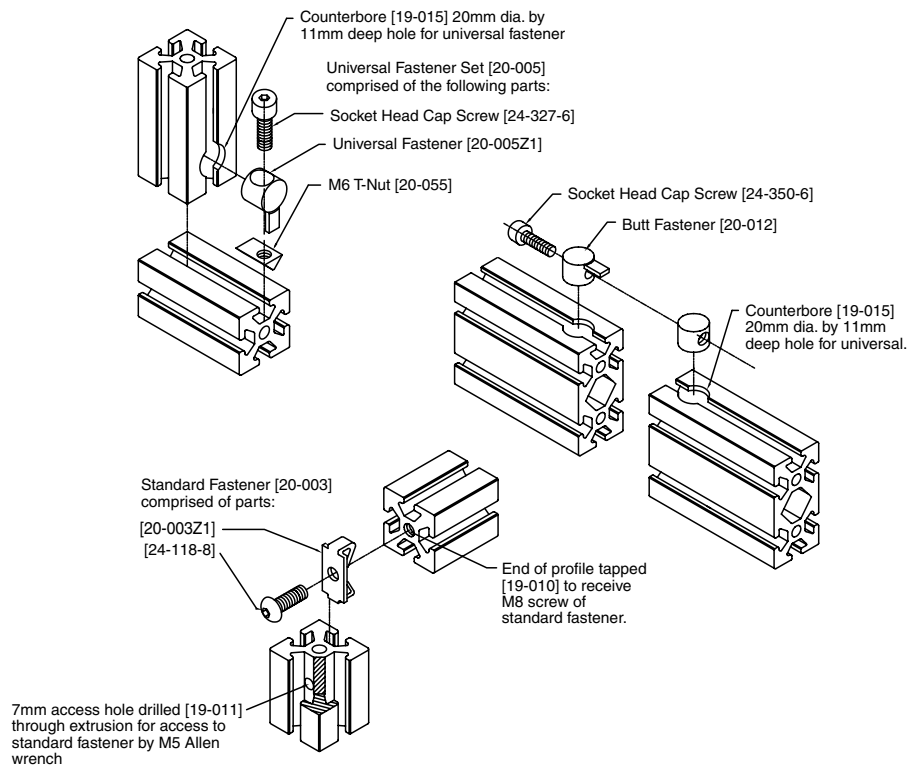
28 Series Profiles

Part #	Description	Moment of Inertia		Section Modulus		Section [cm ²]	Weight [kg/m]	Cat. Page
		I _x [cm ⁴]	I _y [cm ⁴]	W _x [cm ³]	W _y [cm ³]			
12-028	Profile 28x28 Quad-Slot	2.37	2.27	1.70	1.62	2.96	0.81	37
12-428	Profile 28x56 Open Slot	4.65	16.42	3.32	5.86	5.60	1.51	37
12-056	Profile 56x56 Light	30.44	30.44	10.87	10.87	8.87	2.40	37
12-128	Profile 28x28 Tri-Slot	2.64	2.35	1.78	1.68	3.12	0.84	38
12-228	Profile 28x28 Bi-Slot	2.69	2.69	1.83	1.83	3.32	0.90	38
12-328	Profile 28x28 Bi-Slot Mid-Frame	2.41	3.00	1.72	2.14	3.32	0.90	38
12-044	Profile 28x28 45 Deg.	1.97	1.97	1.28	1.28	2.87	0.78	39
12-628	Profile 28x56 Bi-Slot	5.92	18.01	4.23	6.43	6.36	1.72	40
12-728	Profile 28x56 Quad-Slot	5.23	17.10	3.53	6.11	5.96	1.62	40

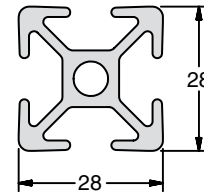
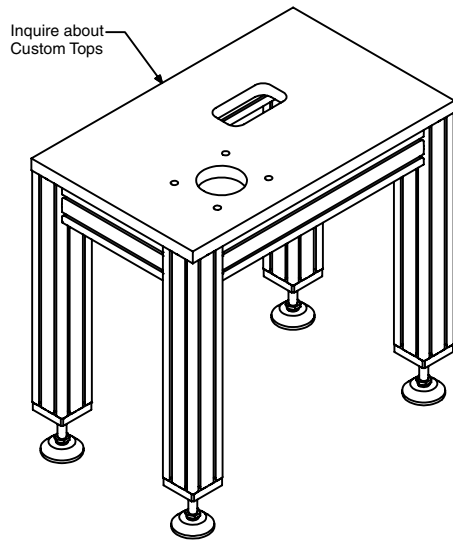
T-Slot Dimensions



Service



28x28, 56x28 and 56x56 Slotted Profiles



12-028

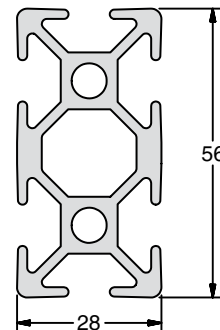
Application

These profiles are designed with T-slot faces on all four sides. They are useful for constructing safety guards, partition frames, light duty enclosures and industrial peripherals.

Technical Data

Aluminum, Clear Anodized (See Technical Data page 9 for full material and finish specifications)

Part #	I_x [cm ⁴]	I_y [cm ⁴]	W_x [cm ³]	W_y [cm ³]	Section [cm ²]	Weight [kg/m]
12-028	2.37	2.27	1.70	1.62	2.96	0.81
12-428	4.65	16.42	3.32	5.86	5.60	1.51
12-056	30.44	30.44	10.87	10.87	8.87	2.40



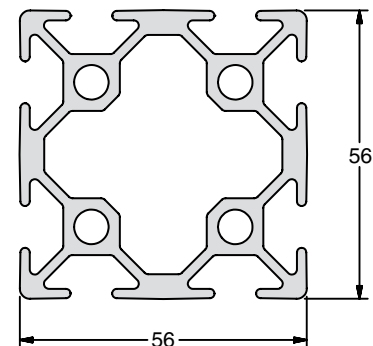
12-428

Ordering Information

Description	Unit	Part #
Profile 28x28 Quad-Slot	Cut off max. 6m	12-028
Profile 28x56 Open Slot	Cut off max. 6m	12-428
Profile 56x56	Cut off max. 6m	12-056
*Saw Cut Needed for Cut to Length		19-001

Quick Reference for Mating Components

Fasteners		T-Nut Examples	
Standard Fastener	20-003	Roll-In Single M6	20-055
Universal Fastener	20-005	Roll-In Single M8	20-057
End Caps		Economy Standard M6	20-090
28x28	18-808	Economy Offset M6	20-190
28x56	18-809	Economy Standard M8	20-091
		Economy Offset ¼-20	20-193



12-056