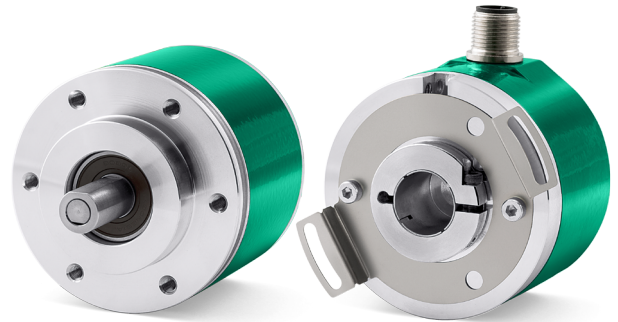


- Programmable incremental encoder
- Resolution from 1 to 16384 PPR
- Selectable Index length 90 or 180° el.
- Counting direction cw, ccw
- Push-Pull + Line Driver compatible output
- Programmable via USB cable



IQ58 • CKQ59

ENVIRONMENTAL SPECIFICATIONS

Shock:	100 g, 6 ms
Vibrations:	10 g, 5-2000 Hz
Protection:	IP65
Operating temperature range:	-40°C +85°C (-40°F +185°F)
Storage temperature range:	-40°C +100°C (-40°F +212°F) (98% R.H. without condensation)

MECHANICAL SPECIFICATIONS

Dimensions:	see drawing
Shaft diameter:	Ø 6, 8, 9.52, 10, 12 mm
Hollow shaft diameter:	Ø 14, 15 mm
Reducing sleeves BR1-xx from Ø 15 to:	Ø 6, 8, 9.52, 10, 11, 12 mm
Shaft loading (axial, radial):	100 N max.
Shaft rotational speed:	typ. 6000 rpm / 12000 temporary
Starting torque at 20°C:	IQ58: 0,15 Ncm / IQ58S, CKQ: 0,4 Ncm (typical)
Bearings life:	400 x 10 ⁶ rev. min. (10 ⁹ rev. min. with 20 N shaft loading max.)
Electrical connections:	M12, M23 plug or cable output 1 m (3.3 ft)
Weight:	~ 200 g (7 oz)
Option:	• additional cable

ELECTRICAL SPECIFICATIONS

Resolution (PPR):	programmable from 1 to 16384
Accuracy:	± 0,15°
Counting frequency:	500 kHz max.
Output circuits:	Universal output (PP+LD compatible)
Power supply:	+5V +30V
Consumption:	60 mA (typical)
Output current (each channel):	40 mA max.
Protection:	against inversion of polarity and short cut
EMC:	electro-magnetic immunity, EN 61000-4-2 EN 61000-4-4

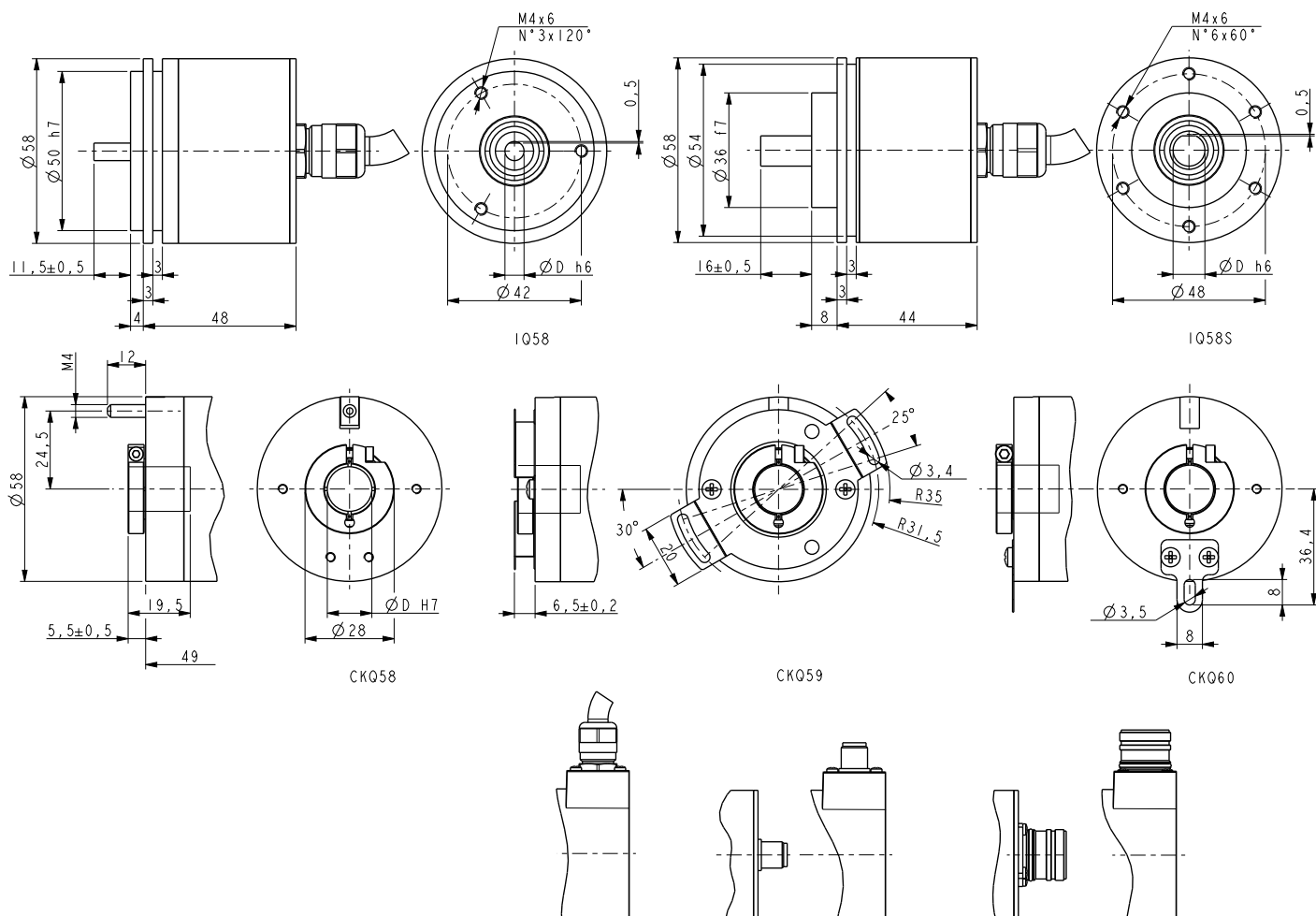
MATERIALS

Flange:	anticorrosive, UNI EN AW-6082
Housing:	anticorrosive, UNI EN AW-6082
Bearings:	ABEC 5
Shaft:	stainless steel, non-magnetic - UNI EN 4305

ACCESSORIES

EPFL 121:	M23 12 pin mating connector
EC-C12F-LK-I8-5:	M23 cordset with 5 m cable
EC-C12F-LK-I8-10:	M23 cordset with 10 m cable
E-M12F12:	M12 12 pin mating connector
EC-M12F12-LK-T12-5:	M12 cordset with 5 m cable*
EC-M12F12-LK-T12-10:	M12 cordset with 10 m cable*
BR1-xx:	reducing sleeves
PAN/PGF:	flexible couplings
KIT IP/IQ58:	USB programming kit
EC-IP/IQ58-M23:	M23 programming cable
EC-IP/IQ58-M12:	M12 programming cable

*not suitable for programming



Order code

IQ58	-	X	-	XXXX	XXX	X	XX	X	XX	/Sxxx
IQ58S		(a)		(b)	(c)	(d)	(e)	(f)	(g)	(h)
CKQ58										
CKQ59										
CKQ60										

<p>(a) OUTPUT CIRCUITS H = PP/LD universal circuit</p> <p>(b) RESOLUTION (PPR) PROG = programmable</p> <p>(c) OUTPUT SIGNALS / CONNECTIONS ZCW = ABO /ABO, 12 wires cable output (type T12) ZCZ = ABO /ABO, M23 12 pin plug ZCM = ABO /ABO, M12 12 pin plug</p>	<p>(d) SUPPLY VOLTAGE 4 = +5V ÷ +30V</p> <p>(e) SHAFT DIAMETER 6 = 6 mm 8 = 8 mm P9 = 9.52 mm - 3/8" 10 = 10 mm 12 = 12 mm 14 = 14 mm (only CKQ) 15 = 15 mm (only CKQ)</p>	<p>(f) CONNECTION POSITION - = axial R = radial</p> <p>(g) CABLE LENGTH (only with ZCW) L1 = cable output 1 m L2 = cable output 2 m (max. length)</p> <p>(h) CUSTOM VERSION</p>
--	--	--