

Nidec PM with Gear Box Type Stepping Motors

All for dreams **MSKPB series**

■ MSKPB series



■ Applications

Home appliances, etc.

■ Characteristic

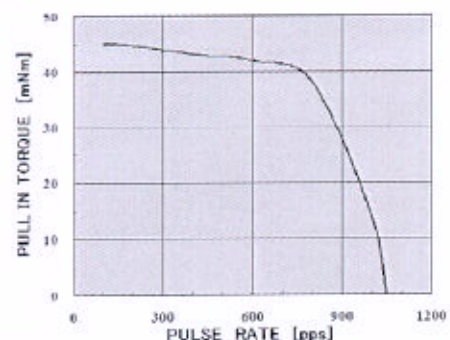
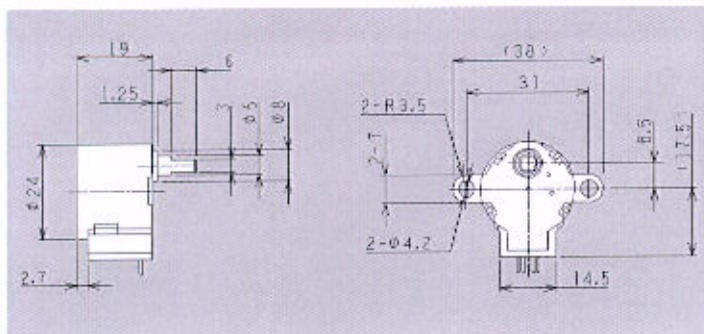
REACH and RoHS compliance

■ Standard specifications

Size (mm)	Φ24 × 19	
Weight (g)	32.7	
Winding resistance (Ω)	25	
Gear ratio	1/16	
Rated voltage (V)	DC8	
Driving circuit	Rectangle	
Excitation method	2Ex	
Step angle (°)	11.25	
Friction torque (mN·m)	—	
Detent torque (mN·m)	14.7	
Max self start frequency (pps)	800	
Max response frequency (pps)	800	
Power supply type	FPC	
	Lead wire	○
	Pin connector	○
Operating temperature (°C)	-30~85	

■ Dimensions

/Torque characteristic



Characteristic data is based on standard specifications

For additional information, please contact our sales

NIDEC SANKYO CORPORATION

Sales Headquarters Tokyo Office

1-20-13, Osaki, Shinagawa-ku, Tokyo 141-0032, Japan Tel (81)3-5740-3000 FAX (81)3-6843-3122