

# Air unit - FR.L. Combination unit

Operation specification and Accessory

CHELIC PNEUMATIC



Symbol :



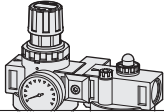
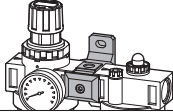
## Specification

Item	Model	AFC-150	AFC-200	BFC-200	BFC-300	CFC-400	CFC-600
Fluid		Air					
Port Size	Rc	1/8"	1/4"	1/4"	3/8"	1/2"	3/4"
Filter grade		5 $\mu$ m					
Pressure range	Kgf/cm <sup>2</sup> (kpa)	0.5 ~ 8.5 ( 50 ~ 850 )					
Max. pressure	Kgf/cm <sup>2</sup> (kpa)	9.5 ( 950 )					
Ambient and fluid temperature	°C	5 ~ 60					
Drain holding capacity	cc	15		60		100	
Lubricator oil storing capacity	cc	25		90		160	
Recommended lubricants		Lubricant class 1 ( ISO - VG32 ) or equivalent					
Weight	Kg	0.7		1.3		1.5	
Material	Body	Aluminum die-casted					
	Bowl	Polycarbonate					
Equipment	Air filter regulator	AFR-150	AFR-200	BFR-200	BFR-300	CFR-400	CFR-600
	Lubricator	AL-150	AL-200	BL-200	BL-300	CL-400	CL-600

## Pressure gauge ⑥

Pressure gauge		Model					
Code	Model	AFC-150	AFC-200	BFC-200	BFC-300	CFC-400	CFC-600
PG10A	PG-10A	● (option)	● (option)	—	—	—	—
PG20A	PG-20A	—	—	● (option)	● (option)	● (option)	● (option)

## Accessory ⑧

Indication		
Model	None (standard))	-TA ((option)
AFC-150	●	●
AFC-200	●	●
BFC-200	●	●
BFC-300	●	●
CFC-400	●	●
CFC-600	●	●

Note 1: (standard) : Standard type ; (option) : Optional accessory.

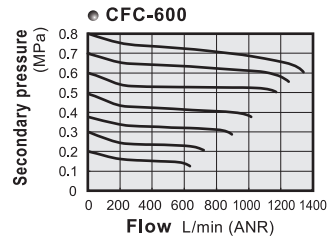
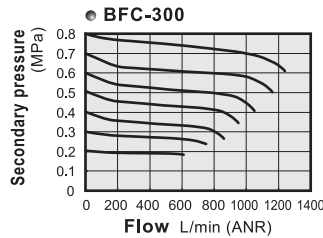
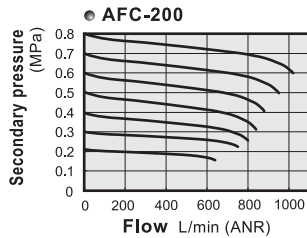


# Air unit - FR.L. Combination unit

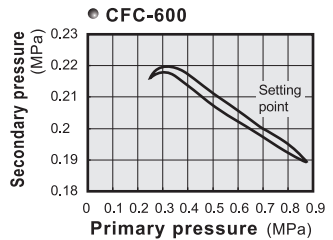
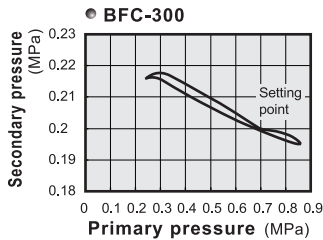
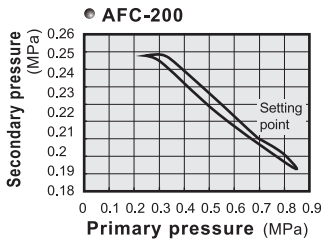
Characteristics and Order expression / Bowls and Drains

CHELIC PNEUMATIC

## Flow characteristics



## Pressure characteristics



## How to order

**AFC** - **200** - **G** - **BG-A** - **F1** - **PG 10A** - **L2** - **TA**

Model ① Port size ② Thread type ③ Bowl ④ Fitting ⑤ Pressure gauge ⑥ Max. adjustable pressure ⑦ Mounting ⑧

Model	Code	150	200	300	400	600	None	G	N	Bowl type		Fitting		PG-10A	None	standard	 None : standard
	Port size	1/8	1/4	3/8	1/2	3/4	RC	G type	NPT	None	Other bowl type	None	-F1	PG-10A	L1	8.5 kg/cm <sup>2</sup>	
AFC	Port connection	●	●	●	●	●	●	●	●	PC (Short bowl)	option	Manual drain cock	option	PG-10A	L2	1 kg/cm <sup>2</sup>	
BFC	AFC	●	●	●	●	●	●	●	●	Bowl guard (standard)	option	Manual drain cock	option	PG-20A	L4	4 kg/cm <sup>2</sup>	
CFC	BFC	●	●	●	●	●	●	●	●	Bowl guard (standard)	option	Manual drain cock	option	PG-20A			※ For A, B series ※ For A, B series ※ For B, C series

※ FR. L. Combination series  
 AFC : Mini size  
 BFC : Medium size  
 CFC : Large size

※ Please see the below table in detail.

※ Please see the below table in detail.

※ Please refer to detail in P.1-2.13

## □ Bowl and Drain cock type ← ④

## □ With Fitting - F1 ← ⑤

## □ A series ④

Bowl type	PC bowl		Bowl guard	
	Manual drain cock	Differential pressure	Manual drain cock	Differential pressure
Drain cock type	None	-A	-BG-H	-BG-A
Model	None	-A	-BG-H	-BG-A
AFC-150	●(standard)	●(option)	●(option)	●(option)
AFC-200	●(standard)	●(option)	●(option)	●(option)

## □ B,C series ④

Bowl type	Bowl guard		
	Manual drain cock	Semi-Automatic	Auto drain
Drain cock type	Manual drain cock	Semi-Automatic	Auto drain
Model	-H	-S	-A
BFC-200	●(standard)	●(option)	●(option)
BFC-300	●(standard)	●(option)	●(option)
CFC-400	●(standard)	●(option)	●(option)
CFC-600	●(standard)	●(option)	●(option)

## □ A series ⑤

A series Note	—	●(standard)	●(option)	●(standard)
Note		Note1 (Outside Fitting)	Note1 (Outside Fitting)	Note1 (Outside Fitting)

## □ B,C series ⑤

B,C series Note	●(option)	●(option)	●(option)
Note	●(option)	●(option)	●(option)

🔍 Note : 1. A series are outside fitting, others are inside fitting; please refer to P.04 auto drain construction.  
 2. (standard) : Standard accessory; (option) : Optional accessory

AC/BC/CC  
F.R.L.  
Combinations

AFC/BFC/CFC  
F.R.L.  
Combinations

FR  
Filter  
regulator

F  
Air  
filter

R  
Regulator

L  
Lubricator

PFC/PER  
PF/PL

A/B/C  
Mounting  
bracket

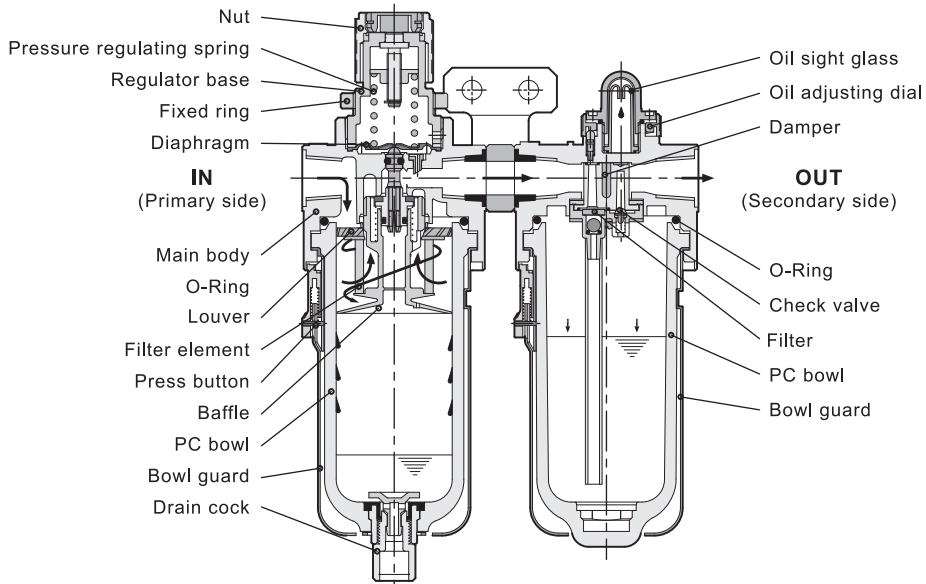


# Air unit - FR.L. Combination unit

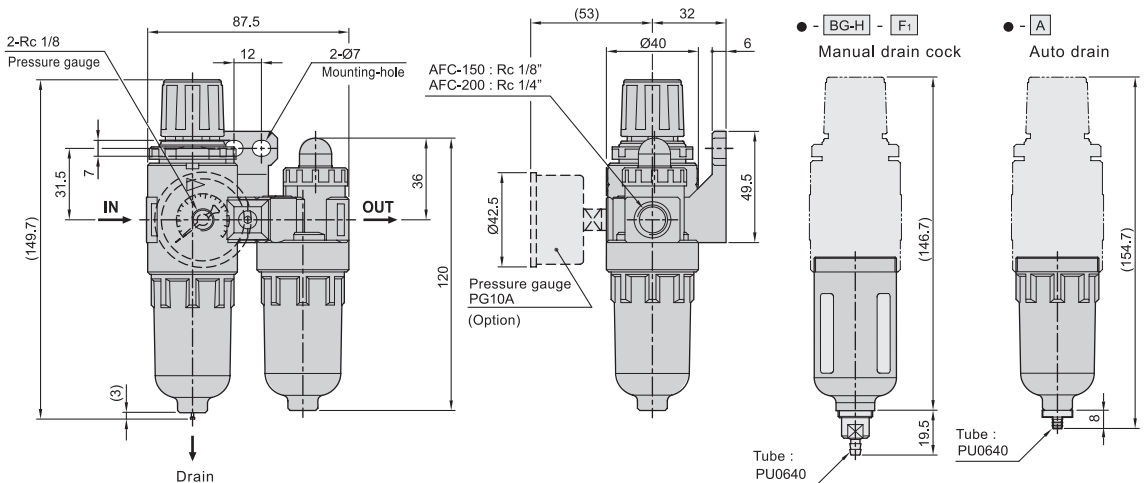
Internal construction and External dimensions

CHELIC PNEUMATIC

## Internal construction



## AFC - 150 Standard



- H	- BG - H - F1	- A
Manual drain cock (standard)	Manual drain cock (include bowl guard, Fitting)	Auto drain

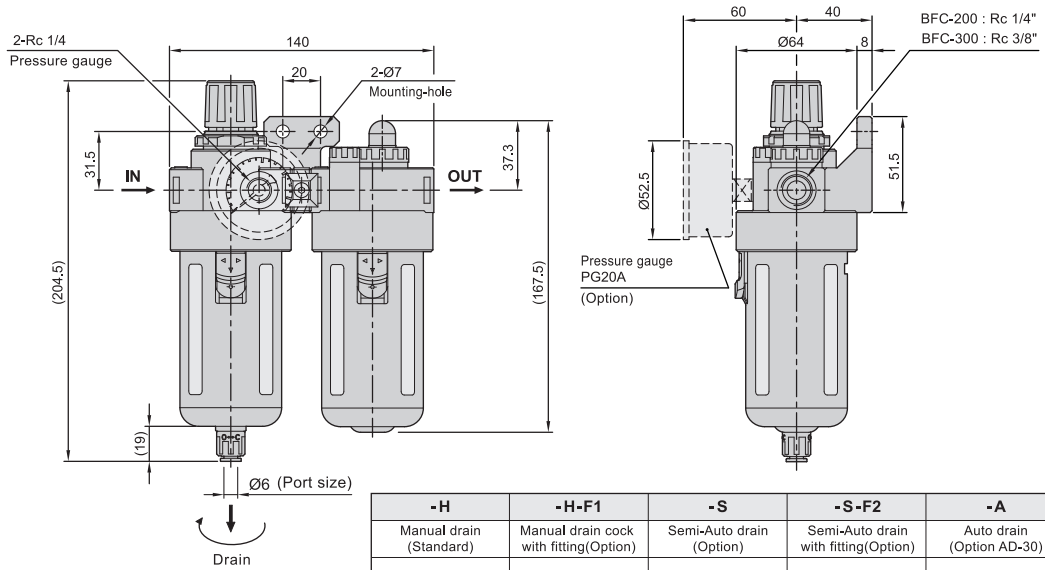


# Air unit - FR.L. Combination unit

External dimensions

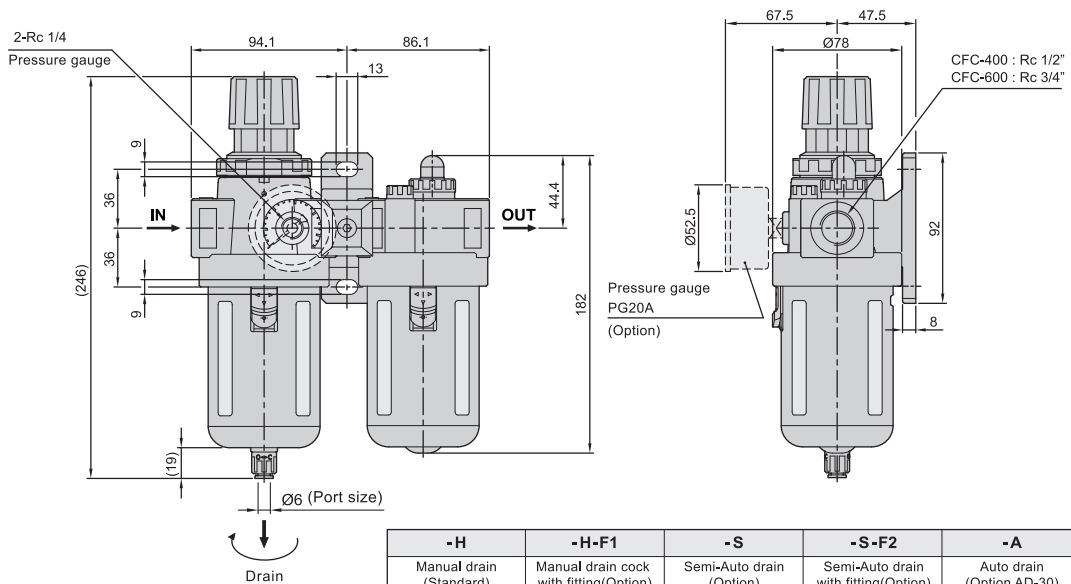
CHELIC PNEUMATIC

## ◉ BFC - 200 - H Standard



-H	-H-F1	-S	-S-F2	-A
Manual drain (Standard)	Manual drain cock with fitting (Option)	Semi-Auto drain (Option)	Semi-Auto drain with fitting (Option)	Auto drain (Option AD-30)

## ◉ CFC - 400 - H Standard



-H	-H-F1	-S	-S-F2	-A
Manual drain (Standard)	Manual drain cock with fitting (Option)	Semi-Auto drain (Option)	Semi-Auto drain with fitting (Option)	Auto drain (Option AD-30)

**AC/BC/CC**  
F.R.L.  
Combinations

**AFC/BFC/CFC**  
FR.L.  
Combinations

**FR**  
Filter  
regulator

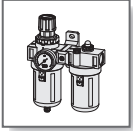
**F**  
Air filter

**R**  
Regulator

**L**  
Lubricator

**PFC/PER  
PF/PL**

**A/B/C**  
Mounting  
bracket



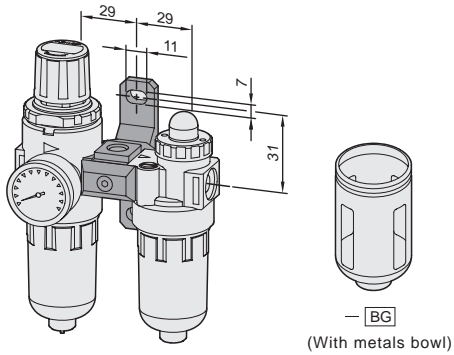
# Air unit - FR.L. Combination unit

## Mounting bracket

CHELIC PNEUMATIC

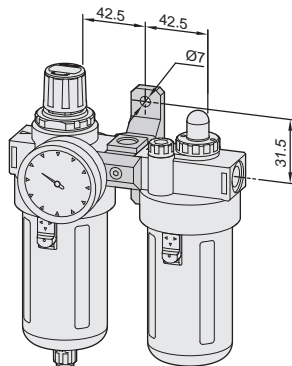
### ● AFC - 150 - TA - H

Suitable for air gun operating



### ● BFC - 200 - TA - H

Suitable for vacuum operating space



### ● CFC - 400 - TA - H

Suitable for air gun + vacuum operating

