



SOUTHERN CALIFORNIA HYDRAULIC ENGINEERING CORPORATION

DESIGNERS AND MANUFACTURERS OF HYDRAULIC & PNEUMATIC EQUIPMENT

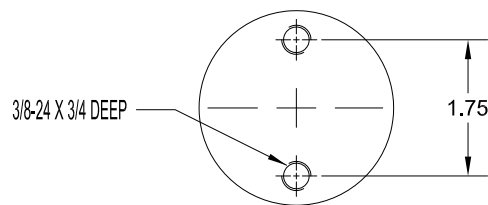
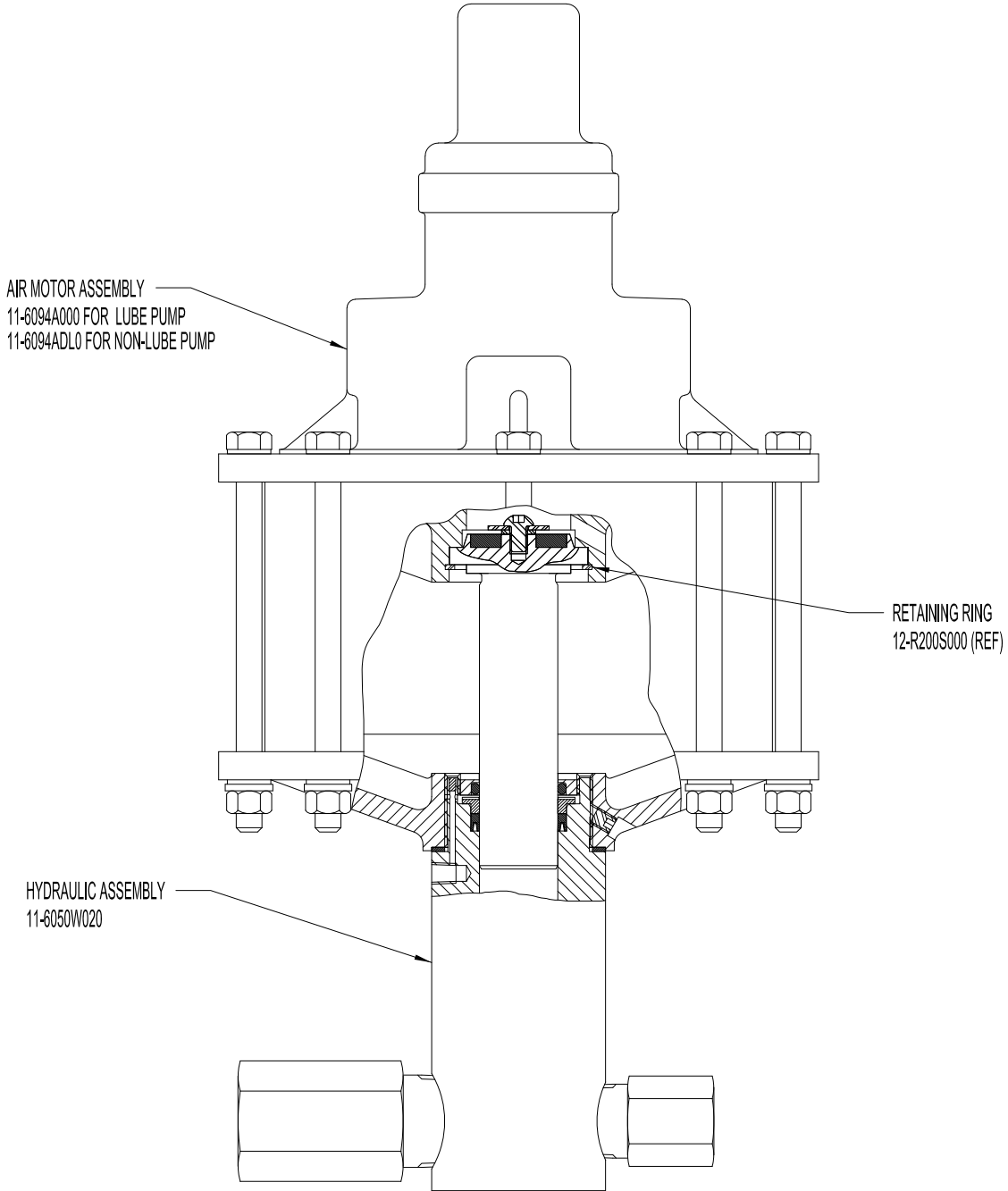
1130 COLUMBIA STREET BREA, CALIFORNIA 92821

NON-LUBE PUMP ASSEMBLY 10-600HW020

LUBE PUMP ASSEMBLY 10-600HW020L

(NOTES: P/N 10-600HW020 WAS D600HS35)

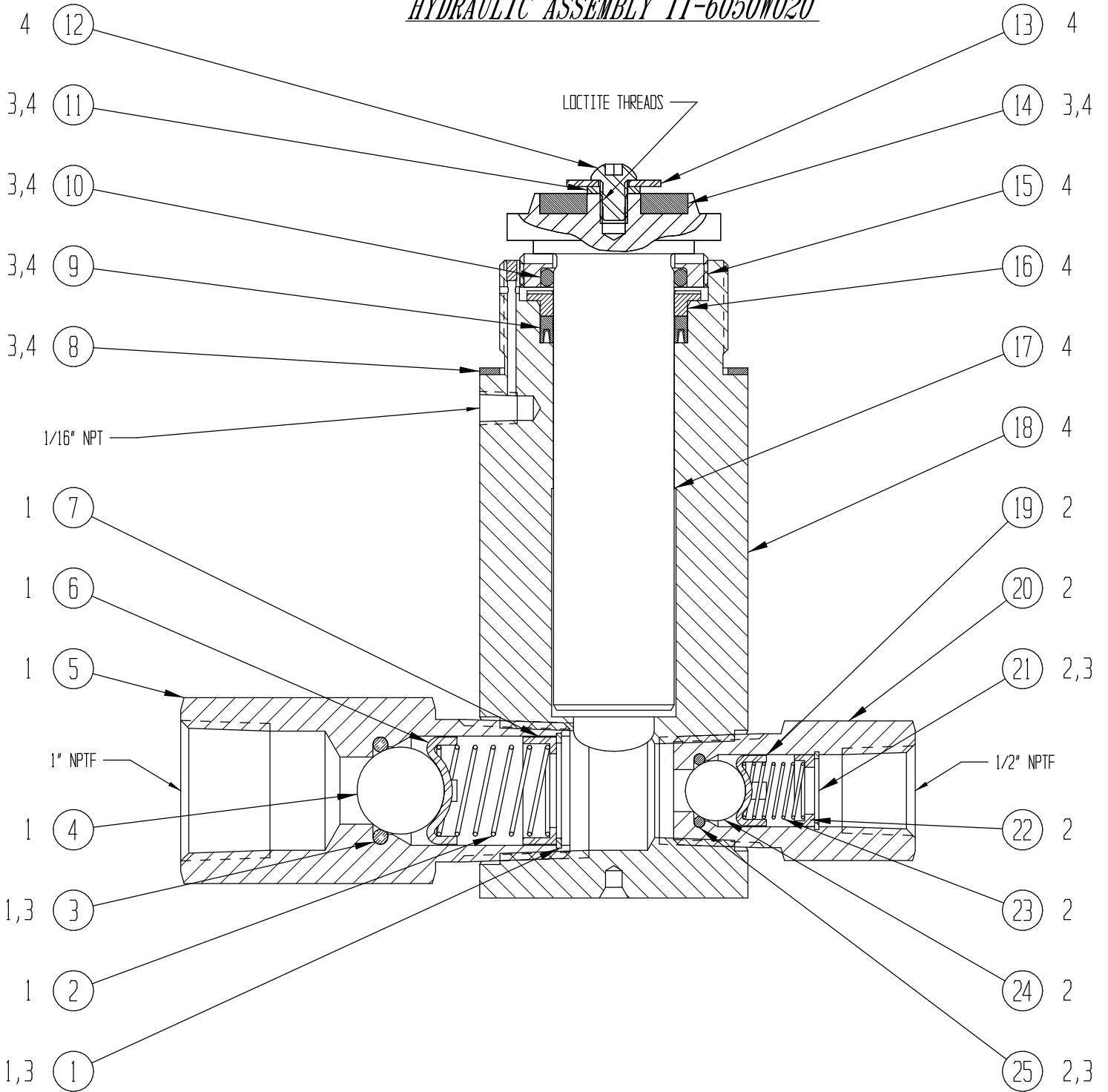
REV: A, 02/15/2024



MOUNTING DIMENSIONS



HYDRAULIC ASSEMBLY 11-6050W020



4 INCLUDED IN 11-6178W020 PISTON & CYLINDER ASSEMBLY

3 INCLUDED IN 11-6099N020H HYDRAULIC REPAIR KIT

2 INCLUDED IN 11-5023S000 OUTLET CHECK VALVE ASSEMBLY

1 INCLUDED IN 11-5031S000 INLET CHECK VALVE ASSEMBLY



SOUTHERN CALIFORNIA HYDRAULIC ENGINEERING CORPORATION

DESIGNERS AND MANUFACTURERS OF HYDRAULIC & PNEUMATIC EQUIPMENT

1130 COLUMBIA STREET BREA, CALIFORNIA 92821 - (714) 257-4800 - FAX (714) 257-4810 WWW.SCHYDRAULIC.COM

BILL OF MATERIALS FILE: 10550050.XLS				
DRAWING NUMBER & DESCRIPTION: 11-6050W020 HYDRAULIC ASSEMBLY				
REVISION: 03/12/06				
ITEM NO	QTY	PART NO	DESCRIPTION	REFERENCE NO
1	1	P11202-100	RETAINING RING	12-R100S000
2	1	11-5033S000	SPRING	10-450-33
3	1	P11003-210	O-RING	12-6227N015S
4	1	12-0440S812	CHECK BALL	
5	1	11-5035S000	SEAT-INLET	10-450-35
6	1	11-5034S003	BALL GUIDE	10-450-34-3
7	1	11-5032S000	SPRING GUIDE	10-450-32
8	1	11-5028N000	GASKET	10-450-28
9	1	12-50012454-3	SEAL-HIGH PRESSURE	
10	1	P11015-216	O-RING	12-6227T021
11	1	P10212-025	HELICAL SPRING LOCK WASHER	12-5001C407
12	1	12-25F37SBC45Z	BUTTON HEAD CAP SCREW	
13	1	12-25N87WF1Z	FENDER WASHER	
14	1	11-5051P000	PISTON BUMPER	10-450-51
15	1	11-6051S020	NUT-PACKING	10-550-51-2
16	1	11-6053B020	GLAND-PACKING	10-550-53-2
17	1	11-6008S020	HYDRAULIC PISTON	10-550-8-2
18	1	11-6049B020	HYDRAULIC CYLINDER	10-550-49-2
19	1	11-5034S002	BALL GUIDE	10-450-34-2
20	1	11-5020S000	SEAT-OUTLET	10-450-20
21	1	P10202-068	RETAINING RING	12-R068S000
22	1	11-5017S000	SPRING GUIDE	10-450-17
23	1	11-5013S000	SPRING	10-450-13
24	1	12-0440S562	CHECK BALL	
25	1	P11003-112	O-RING	12-6227N010S

Where Used 10-600HW020
Pump Assemblies D600HB35