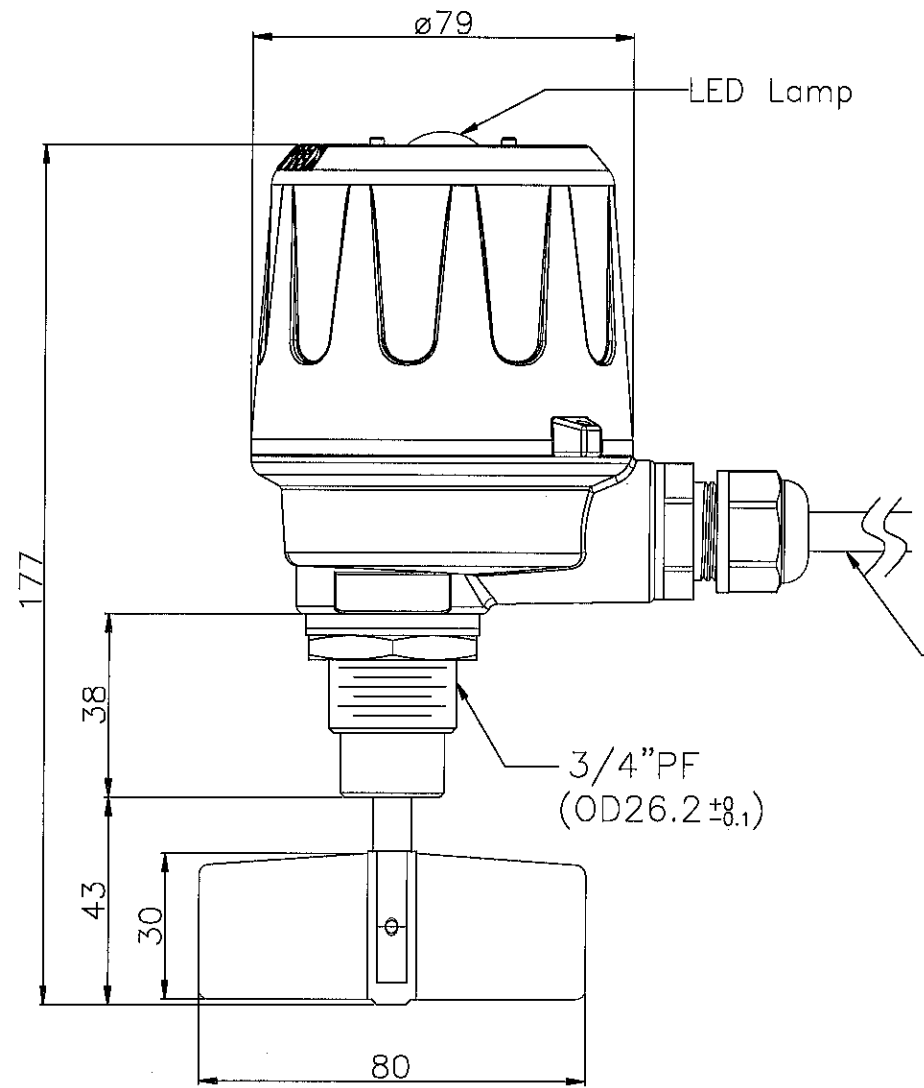


1 2 3 4 5 6

A
B
C
D



MODEL: SE3810CCRG5000+TA

DESCRIPTION	MATERIAL & SPECIFICATION
Housing	Aluminum alloy (IP65)
Housing cover	Aluminum cover with LED lamp
Connection size	3/4"PF
Paddle shapes	80*30(PC)
Supply voltage	240Vac 50/60Hz
Power Consumption	1.5W
Contact rating	SPDT, 5A/250Vac
Rotary speed	1 R.P.M.
Material density	0.3 g/cm³
Ambient Temp.	-40°C~85°C

ROTARY PADDLE LEVEL SWITCH

REV.	DATE	REVISION	SECTION

Copyright, without permission, is prohibited reproduction, retained or circulated Rights Reserved.

	FineTek Co.,Ltd. e-mail: info@fine-tek.com http://www.fine-tek.com	SA APPROVED 	APPROVED BY CLIENT 	MODEL: SE3810CCRG5000+TA	DRAWING	Rachel	DATE: 2016.05.10	UNIT: mm SCALE: 1:1.5	REV. DO
	SALES		RD/PR APPROVED						

2 3 4 5 6