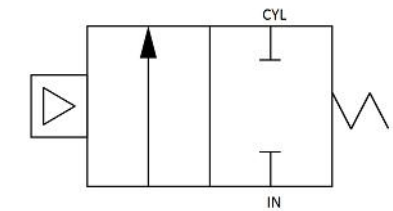
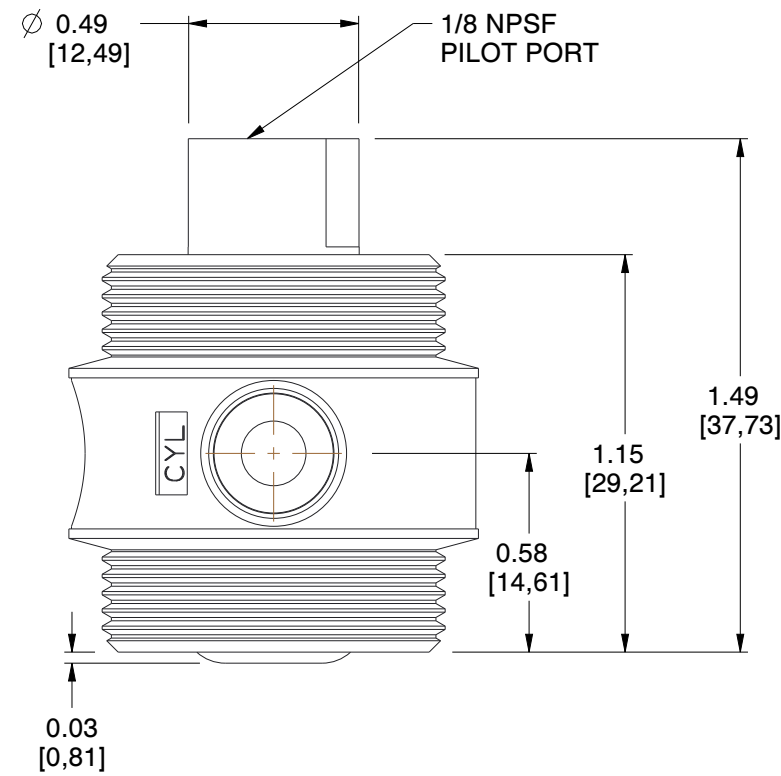
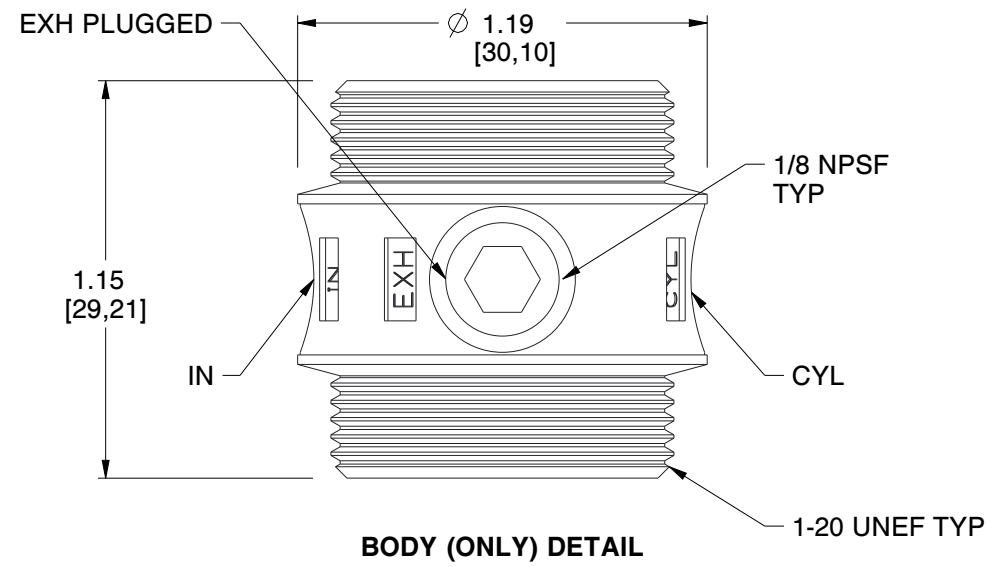
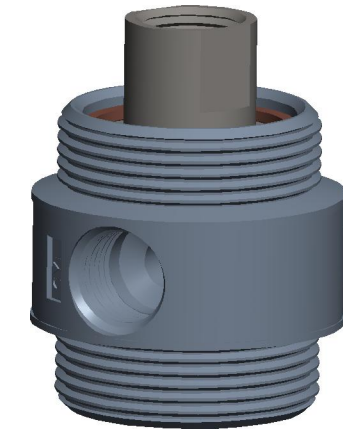


ENGINEERING SPECIFICATIONS REFERENCE

- 1. Media : Air, Inert Gas
- 2. Valve Function : Single Pilot, Normally Closed
- 3. Type of Operation : Air Piloted
- 4. Pressure Range (psi) : 0-125
- 5. Ambient Temperature Range (deg F) : 0-225

- 6. Flow Capacity (Cv) : 0.30
- 7. Weight (oz.) : 5.5
- 8. Lubrication : Not required
- 9. Media Filtration : Not Required



Humphrey®

HUMPHREY PRODUCTS COMPANY
 5070 EAST N AVE; KALAMAZOO, MI 49048 USA
 PH: 269-381-5500; FX: 269-381-4113
 WWW.HUMPHREY-PRODUCTS.COM
 EMAIL: TECHSERVICE@HUMPHREY-PRODUCTS.COM

UNCONTROLLED IF PRINTED - FOR REFERENCE ONLY

DIMENSIONS IN INCHES (MM). FOR DETAILS, PLEASE REFER TO PRODUCT PAGE, HUMPHREY ONLINE CATALOG. HUMPHREY RESERVES RIGHT TO CHANGE DIMENSIONS, SPECIFICATIONS.

CUSTOMER REFERENCE DRAWING

125A21020

Date created : 04/04/2018 | Date printed : 07-01-2019 | SCALE: 1.80