

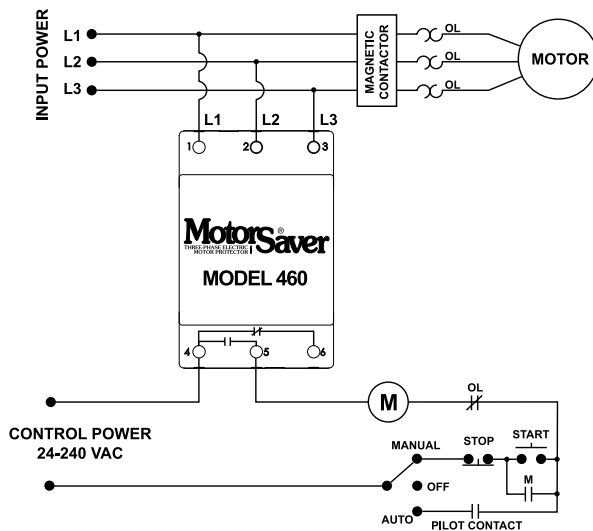
## 460 SERIES

### 3-Phase Voltage Monitor



### Wiring Diagram

TYPICAL WIRING DIAGRAM FOR MODEL 460 WITH MOTOR CONTROL



### Description

The 460 is a 3-phase voltage monitor that protects 190-480VAC or 475-600V, 50/60Hz motors regardless of size. The product provides a user selectable nominal voltage setpoint and the voltage monitor automatically senses line voltage.

This unique microcontroller-based voltage and phase-sensing device constantly monitors the 3-phase voltages to detect harmful power line conditions such as low, high, and unbalanced voltage, loss of any phase, and phase reversal. When a harmful condition is detected, the MotorSaver<sup>®</sup> output relay is deactivated after a specified trip delay. The output relay reactivates after power line conditions return to an acceptable level for a specified amount of time (restart delay). The trip and restart delays prevent nuisance tripping due to rapidly fluctuating power line conditions.

All 460 models feature adjustable 1-30 second trip delay, 1-500 second restart delay, 2-8% voltage unbalance trip point, and one form C contact except where noted below.

### Features & Benefits

FEATURES	BENEFITS
<b>Auto-sensing wide voltage range</b>	Automatically senses system voltage between 190 - 480VAC or 475-600VAC. Saves set-up time
<b>Adjustable trip &amp; restart delay settings</b>	Prevent nuisance tripping due to rapidly fluctuating power line conditions
<b>Microcontroller based circuitry</b>	Improved accuracy and higher reliability
<b>Advanced LED diagnostics</b>	Quick visual indicator for cause of trip and relay status
<b>Adjustable voltage unbalance trip setting</b>	Provides reliable protection when regenerative voltage is present

### Ordering Information

MODEL	VOLTAGE	DESCRIPTION
460	190-480VAC	Automatically senses line voltage, adjustable 1-30 second trip delay, 1-500 second restart delay, and 2-8% voltage unbalance trip point
460-L	190-480VAC	Fixed 4 second trip delay and 1 second for single-phase faults, and fixed 6% voltage unbalance trip point
460-14	190-480VAC	Equipped with 2 sets of contacts: Form A (NO) and Form B (NC). Used for applications requiring 2 different voltages such as 5VDC for a PLC input and 115VAC for an alarm
460-575	475-600VAC	Commonly used in Eastern Canada and on generator units that generate 600 VAC power
460-575-14	475-600VAC	Commonly used in Eastern Canada and on generator units that generate 600 VAC power. Equipped with 2 sets of contacts: Form A and Form B
460-15	190-480VAC	Equipped with 2 sets of Form A (NO) contacts. Used on applications where two different units are to be controlled at once such as a unit that has separate contacts for a compressor and a fan
460-MR	190-480VAC	Equipped with a 2-prong connection for a normally open push button mounted outside the panel. Used in applications requiring an external manual reset button
460-VBM	190-480VAC	Fixed 6% voltage unbalance trip point. User adjustable low and high voltage trip points
460-400HZ	190-480VAC	For use with 400Hz power supply
460-OEM	190-480VAC	Bulk package of 460, 20 units
460L-OEM	190-480VAC	Bulk package of 460-L, 20 units

## 460 SERIES

### Specifications

<b>Frequency</b>	50/60Hz
<b>Low Voltage (% of setpoint)</b>	
<b>Trip</b>	90% ±1%
<b>Reset</b>	93% ±1%
<b>High Voltage (% of setpoint)</b>	
<b>Trip</b>	110% ±1%
<b>Reset</b>	107% ±1%
<b>Voltage Unbalance (NEMA)</b>	
<b>Trip</b>	2-8% adjustable
<b>Reset</b>	Trip setting minus 1% (5-8%) Trip setting minus 0.5% (2-4%)
<b>460L</b>	6% UB fixed (4.5% reset)
<b>Trip Delay Time</b>	
<b>Low, High and Unbalanced Voltage</b>	1-30 seconds adjustable
<b>460L</b>	4 seconds fixed
<b>Single-Phase Faults (&gt;25% UB)</b>	1 second fixed
<b>Restart Delay Time</b>	
<b>After a Fault</b>	1-500 seconds adjustable
<b>After a Complete Power Loss</b>	1-500 seconds adjustable
<b>Output Contact Rating</b>	
<b>Form C</b>	
<b>Pilot Duty</b>	480VA @ 240VAC, B300
<b>General Purpose</b>	10A @ 240VAC
<b>Form A &amp; Form B</b>	
<b>Pilot Duty</b>	360VA @ 240VAC, B300
<b>General Purpose</b>	8A @ 240VAC

### Ambient Temperature Range

<b>Operating</b>	-20° to 70°C (-4° to 158°F)
<b>Storage</b>	-40° to 80°C (-40° to 176°F)
<b>Maximum Input Power</b>	6 W
<b>Class of Protection</b>	IP20, NEMA 1 (finger safe)
<b>Relative Humidity</b>	10-95%, non-condensing per IEC 68-2-3
<b>Terminal Torque</b>	4.5 in.-lbs.
<b>Wire Type</b>	Stranded or solid 12-20 AWG, one per terminal
<b>Standards Passed</b>	
<b>Electrostatic Discharge (ESD)</b>	IEC 61000-4-2, Level 3, 6kV contact, 8kV air
<b>RFI, Radiated</b>	150 MHz, 10V/m
<b>Fast Transient Burst</b>	IEC 61000-4-4, Level 3, 3.5kV input power and controls

### Surge

<b>IEC</b>	IEC 61000-4-5, Level 3, 4kV line-to-line; Level 4, 4kV line-to-ground
<b>ANSI/IEEE</b>	C62.41 Surge and Ring Wave Compliance to a level of 6kV line-to-line
<b>Hi-potential Test</b>	Meets UL508 (2 x rated V +1000V for 1 minute)

### Safety Marks

<b>UL</b>	UL508 (File #E68520)
<b>CE</b>	IEC 60947-6-2
<b>Enclosure</b>	Polycarbonate
<b>Dimensions</b>	<b>H</b> 88.9 mm (3.5"); <b>W</b> 52.9 mm (2.08"); <b>D</b> 59.69 mm (2.35")
<b>Weight</b>	0.7 lb. (11.2 oz., 317.51 g)
<b>Mounting Method</b>	35 mm DIN rail or Surface Mount (#6 or #8 screws)
<b>460-MR (manual reset)</b>	External NO pushbutton required.