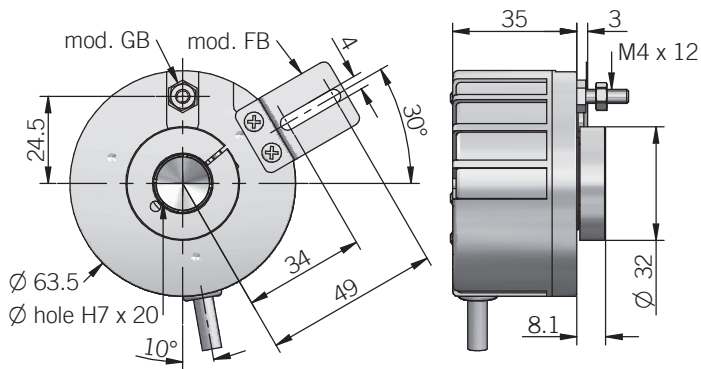
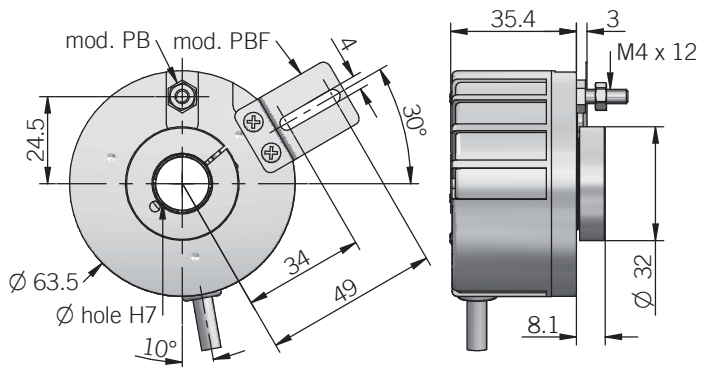


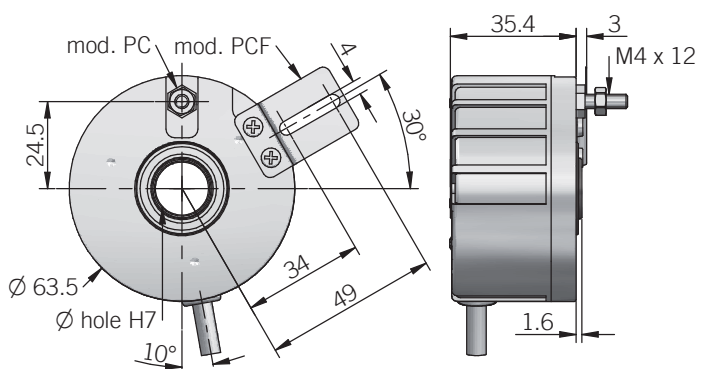
63 FB / GB



63 PB / PBF



63 PC / PCF



torque pin is included in model GB / PB / PC, for model FB / PBF / PCF please refer to Accessories

dimensions in mm

ELECTRICAL SPECIFICATIONS

Resolution	from 1 to 2500 ppr
Power supply¹	5 = 4,5 ... 5,5 V DC 5/28 = 4,5 ... 30 V DC (reverse polarity protection)
Power draw without load	800 mW max
Max load current	C / P = 50 mA / channel L / RS = 20 mA / channel
Electrical interface²	NPN open collector (AIEC-7273, pull-up max +30 V DC) push-pull / line driver HTL (AIEC-7272) line driver RS-422 (AELT-5000 or equivalent)
Max output frequency	300 kHz
Counting direction	A leads B clockwise (shaft view)
Electromagnetic compatibility	according to 2014/30/EU directive
RoHS	according to 2015/863/EU directive
UL / CSA	certificate n. E212495

MECHANICAL SPECIFICATIONS

Bore diameter	ø 8 / 10 / 12 / 14 / 15 mm
Enclosure rating	IP 54 (IEC 60529)
Max rotation speed	3000 rpm
Shock	50 G, 11 ms (IEC 60068-2-27)
Vibration	10 G, 10 ... 2000 Hz (IEC 60068-2-6)
Moment of inertia	4 x 10 ⁻⁶ kgm ² (95 x 10 ⁻⁶ lbf ²)
Starting torque (at +20°C / +68°F)	< 0,04 Nm (5,66 Ozin)
Bearing stage material	EN-AW 2011 aluminum
Shaft material	1.4305 / AISI 303 stainless steel
Housing material	PA 66 glass fiber reinforced
Bearings	n.2 ball bearings
Bearings life	10 ⁹ revolutions
Operating temperature^{3,4}	-10° ... +60 °C (+14° ... +140°F)
Storage temperature⁴	-25° ... +70 °C (-13° ... +158°F)
Weight	350 g (12,35 oz)

¹ as measured at the transducer without cable influences

² for further details refer to OUTPUT LEVELS on TECHNICAL BASICS section

³ measured on the transducer flange

⁴ condensation not allowed

CONNECTIONS

Function	Cable C / P	Cable L / RS
+V DC	red	red
0 V	black	black
A+	green	green
A-	/	brown or grey
B+	yellow	yellow
B-	/	orange
Z+	blue	blue
Z-	/	white
⊖	shield	shield

RESOLUTIONS

1 - 2 - 5 - **20** - 25 - 32 - 50 - 60 - 100 - 128 - **200** - 250 - 256 - **360** - 400 - 500 - 512 - 600 - 720 - 1000 - **1024** - 1440 - 1800 - **2000** - 2048 - 2500

please directly contact our offices for other pulses, preferred resolutions in bold