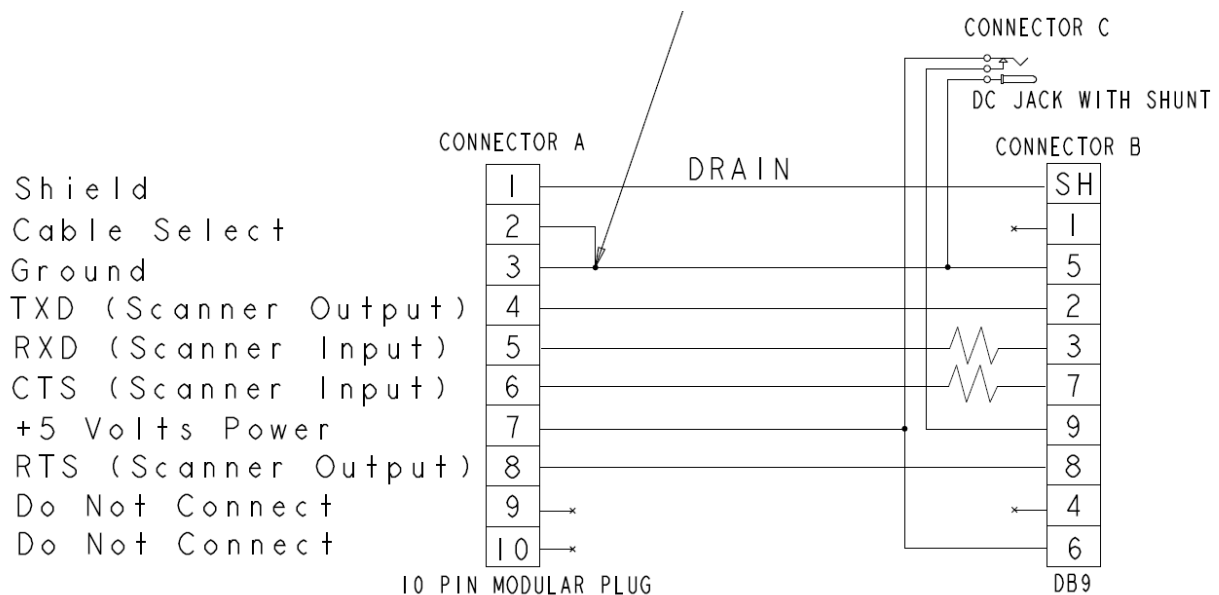


### CBL-020-300-C00

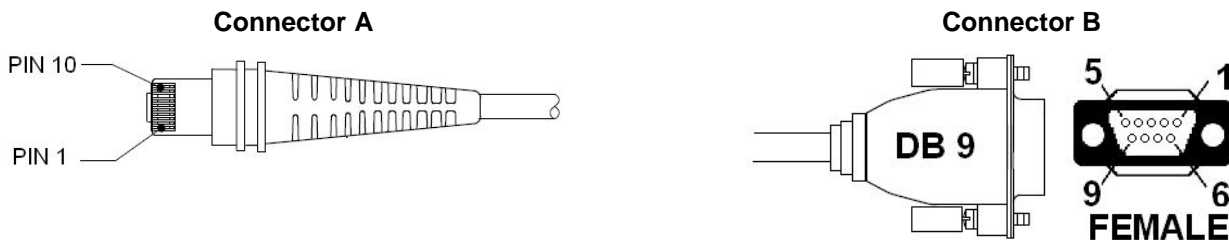
**Cable for product :** Generic HSM – bar code scanner  
**Description:** Standard Serial RS232 DB9 Female coiled  
**Interface:** RS232 TTL (5V)  
**Connector A:** Molded 10 Pin Modular (RJ50 like)  
**Connector B:** Molded DB9 - Female  
**Connector C:** STD HSM Power link 5V (DC Jack with shunt)

**Cable length:** 2.80 meter (retracted ~1.35 m)  
*Max extended*

#### Pin assignment



#### Connector assignment



#### NOTE:

- WARNING:** connecting to 12V host powered systems with these cables will damage the 5V-only scanner when the External Power (PSU) is disconnected from con. C.