


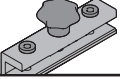

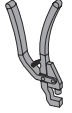

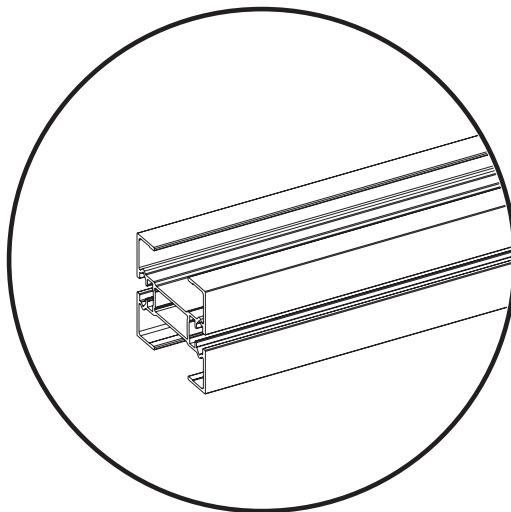


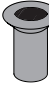
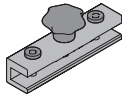





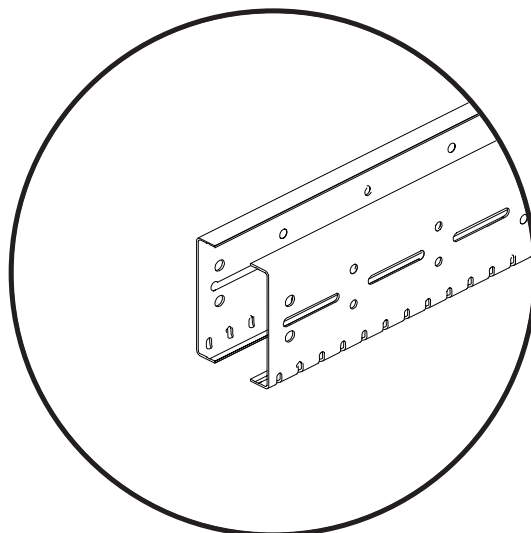
SLIDE RAIL

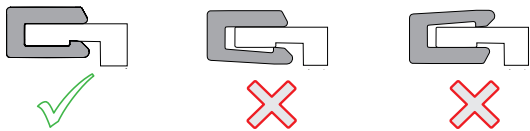
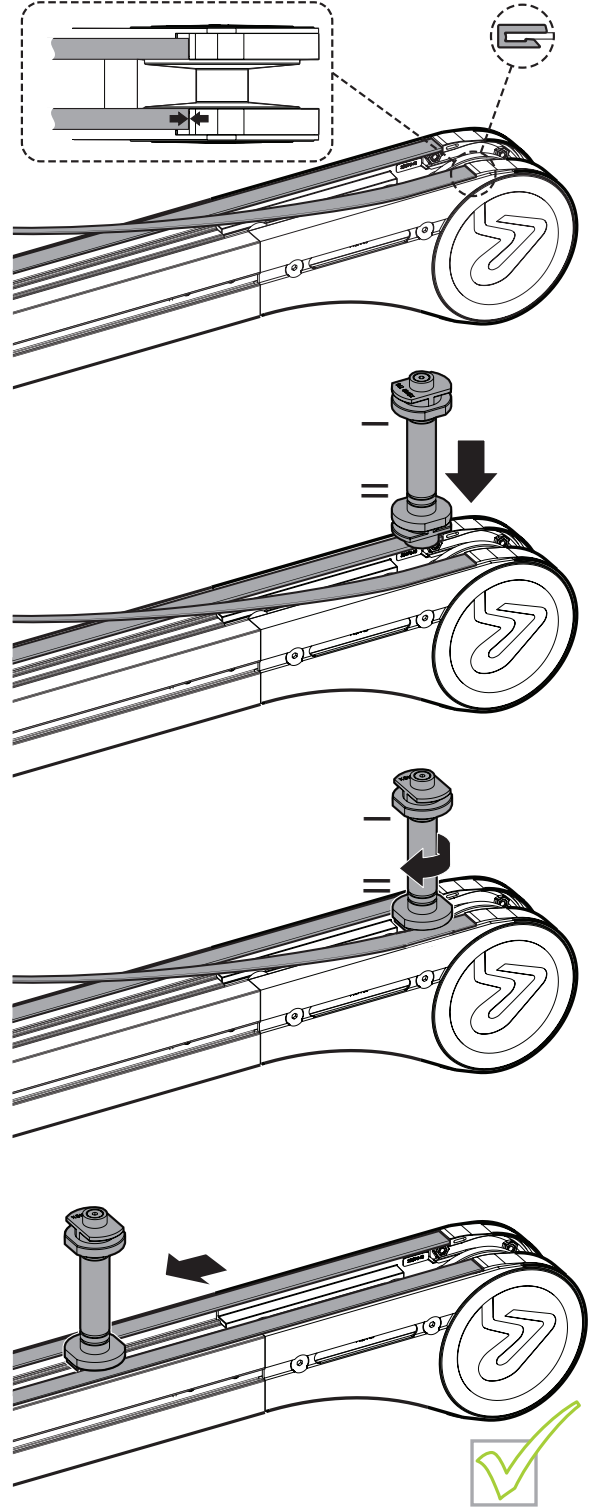
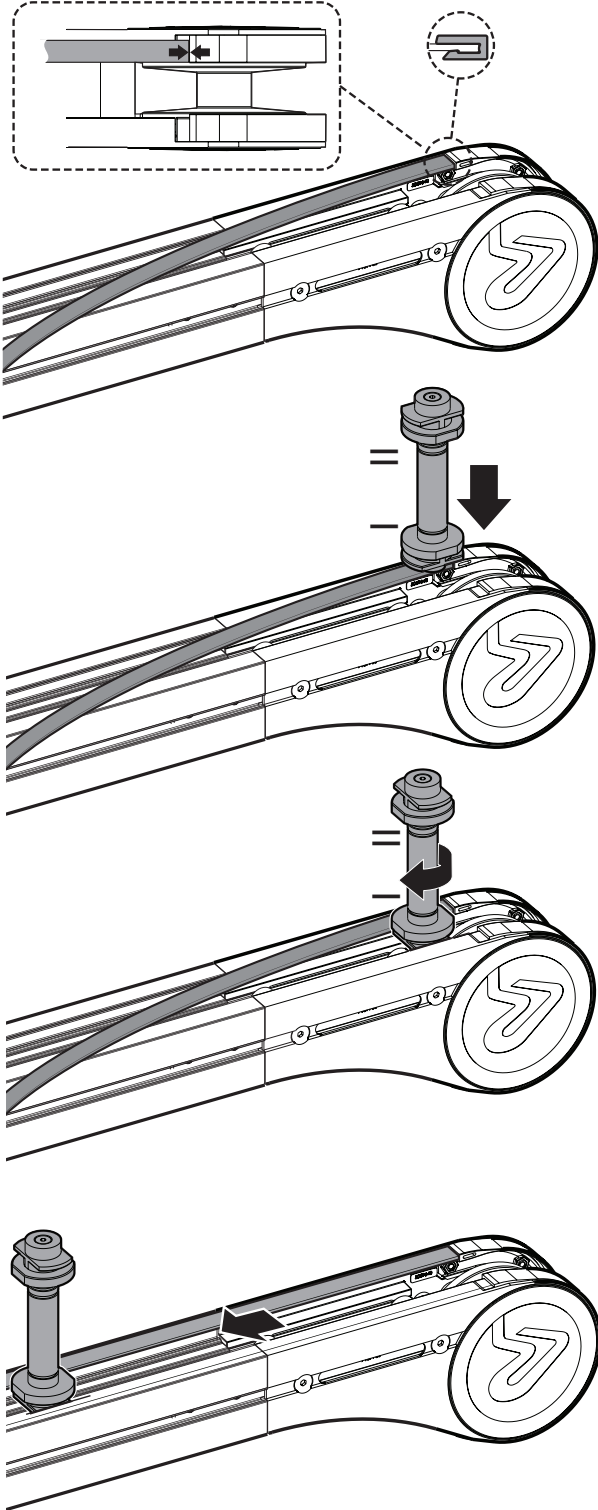
Item	For Conveyor System
XSCR 25	XS
XLCR 25	XL, XLX, X65, XM, XH
XBCR 25	X85, X85X, X70X, X180, X180X, X300, X300X, WL
XKCR 25	XK
XWCR 25	XK, WK
WKCR 25	WK
<i>XTCR 25</i>	<i>XTC page 9</i>
	<i>XT page 13</i>
	<i>X45 and X45H page 17</i>
	<i>X45C/X45H Wheel bend page 20</i>
	<i>X45 Puck handling page 21</i>

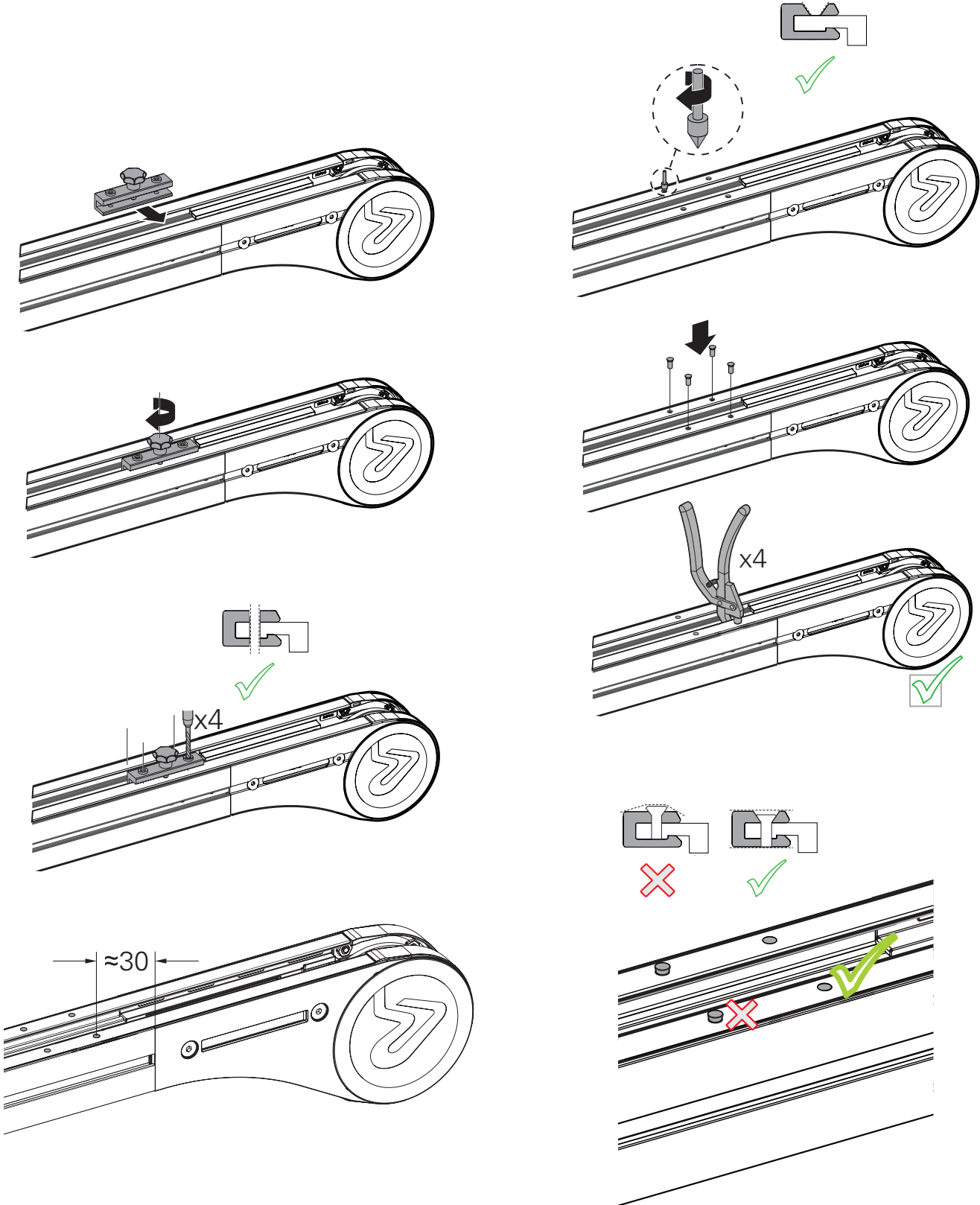
System Slide rail	XS XSCR 25	XL/X65 XLCR 25	XM XLCR 25	XH XLCR 25	XK XKCR 25	XB/X85/ X180/X300 XBCR 25	XW/WK XWCR 25	WL XBCR 25
	XLMR 140		XMMR 140	XHMR 200	XKMR 200	XBMR 170		WLMR 135
	-	XLAG 5			XWAG 5	XLAG 5	XWAG 5	XLAG 5
	XLAH 3x6	XLAH 4x6			XLAH 4x7			-
	3924774	3920500						
	3,2 mm	4,2 mm						
	3924776	5051395						-
	3924770	3923005						-



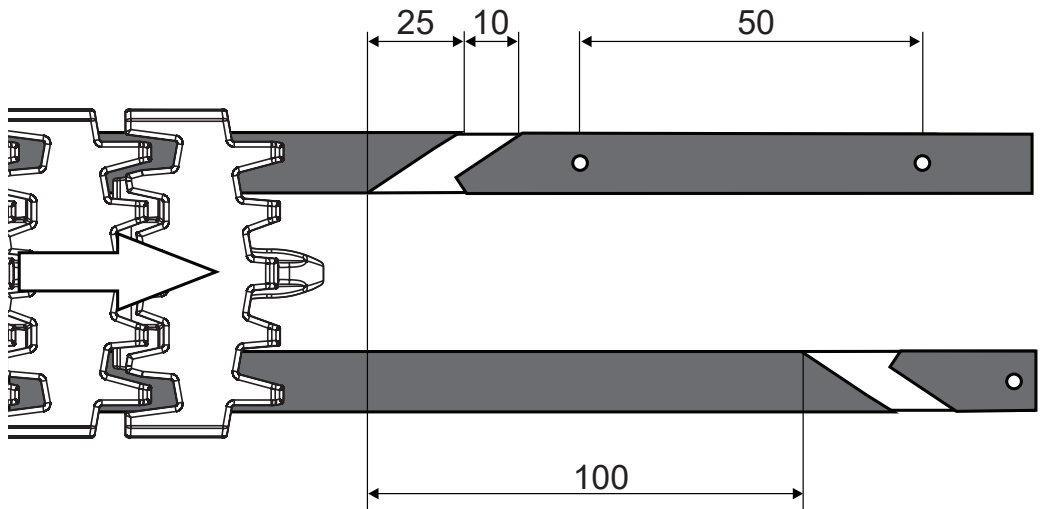
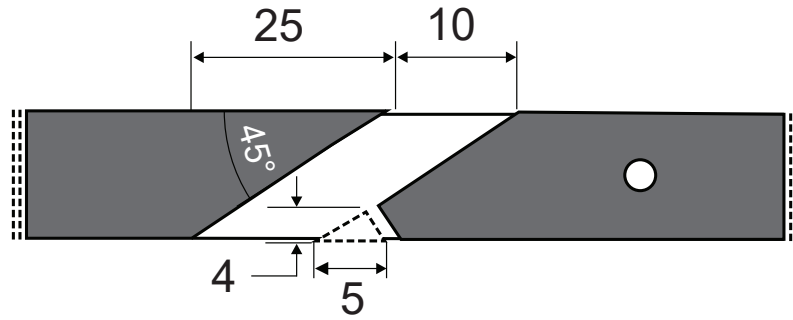
	XLX XLCR 25	X70X XBCR 25	X85X/X180X/X300X XBCR 25
	XLMR 140	XLMR 70	XBMR 170
	XLAG 5	XLAG 5	XLAG 5
	XLAH 4x6 XLAHX 4x6	XLAH 4x7	
	3920500		
	5115053		
	5051395		
	3923005		



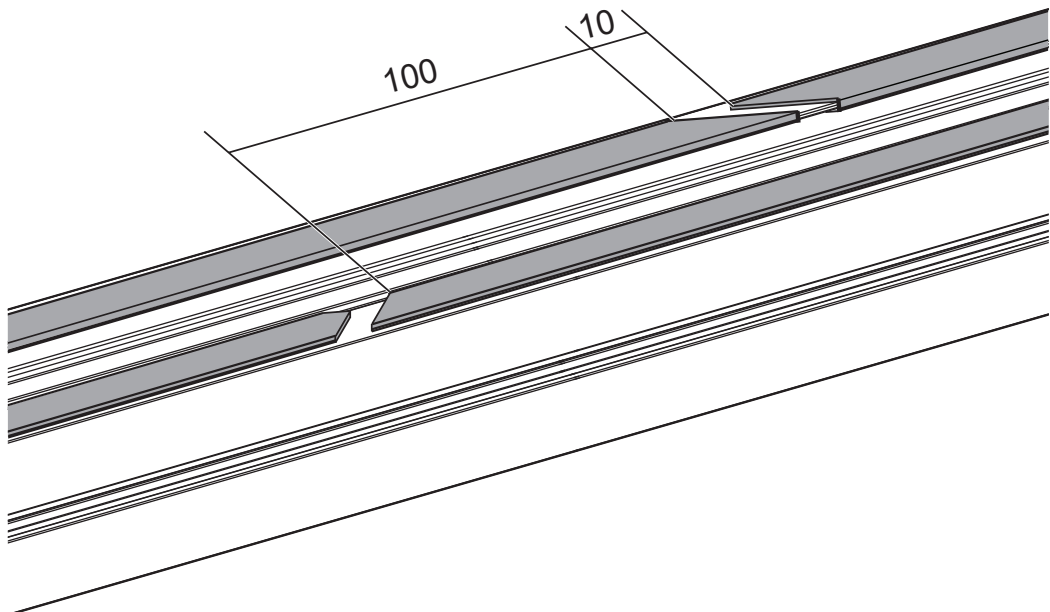




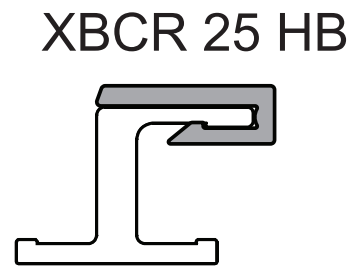
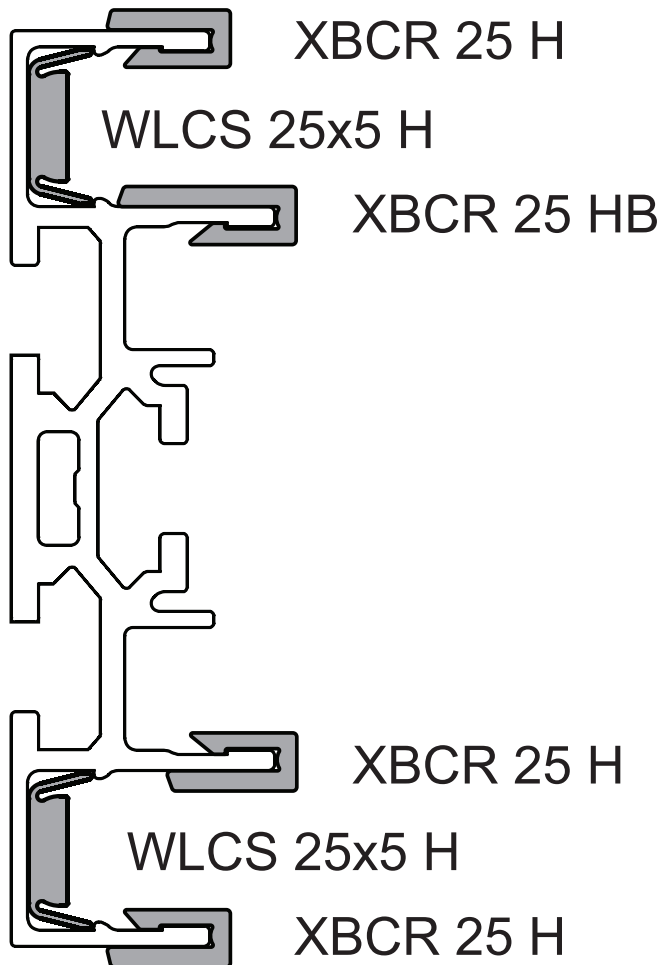
12



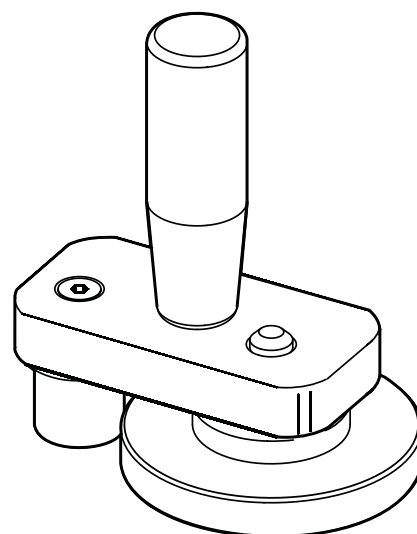
13

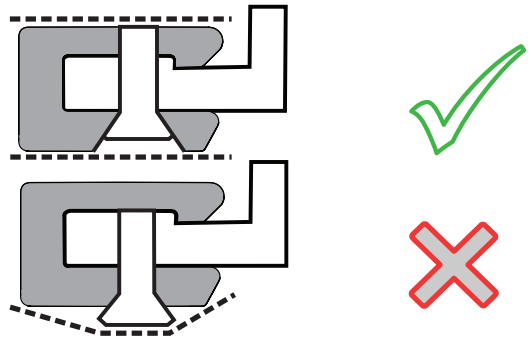
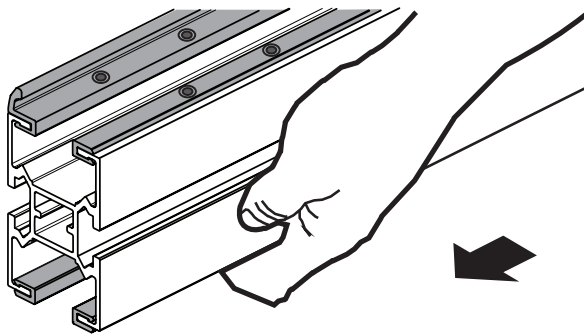
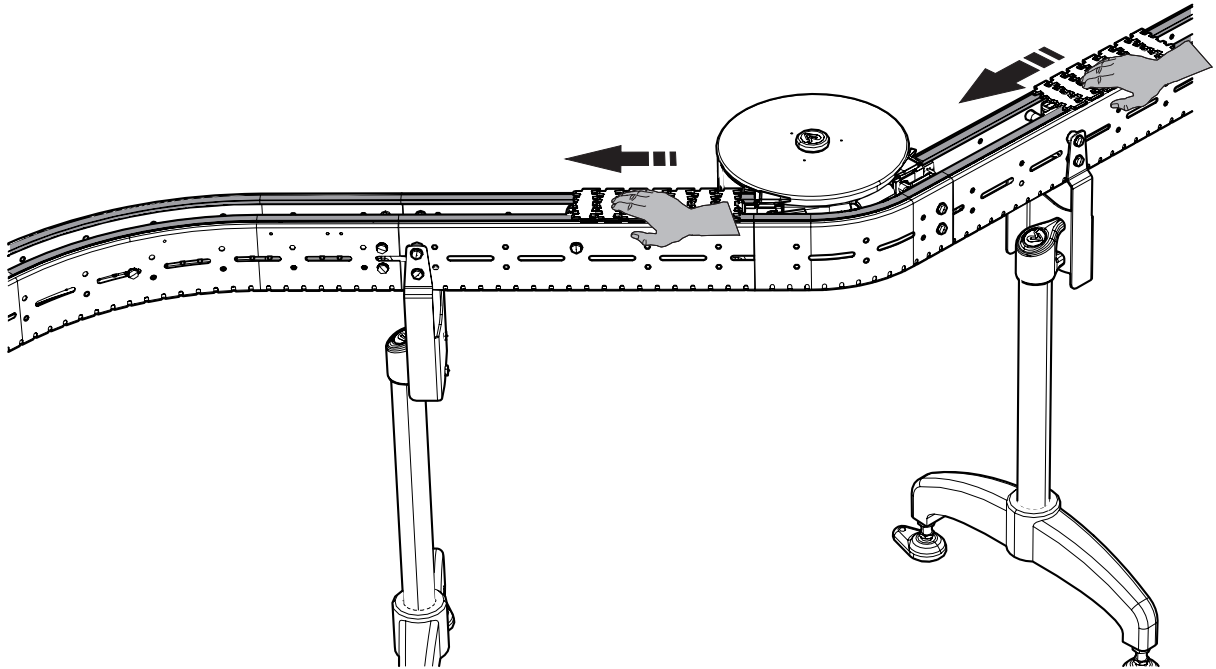
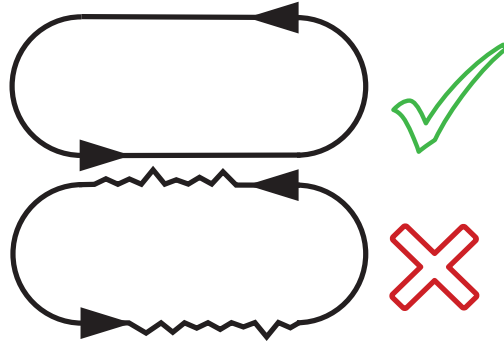


WL

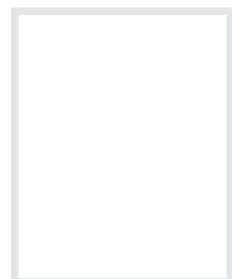
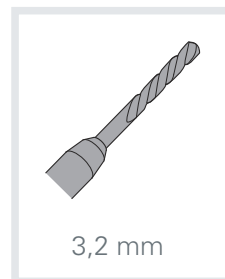
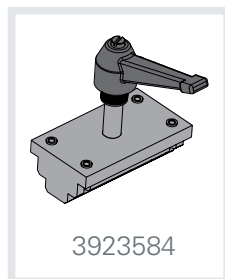
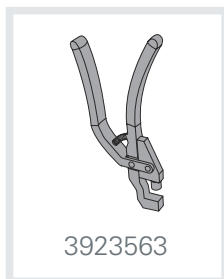
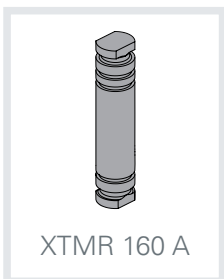
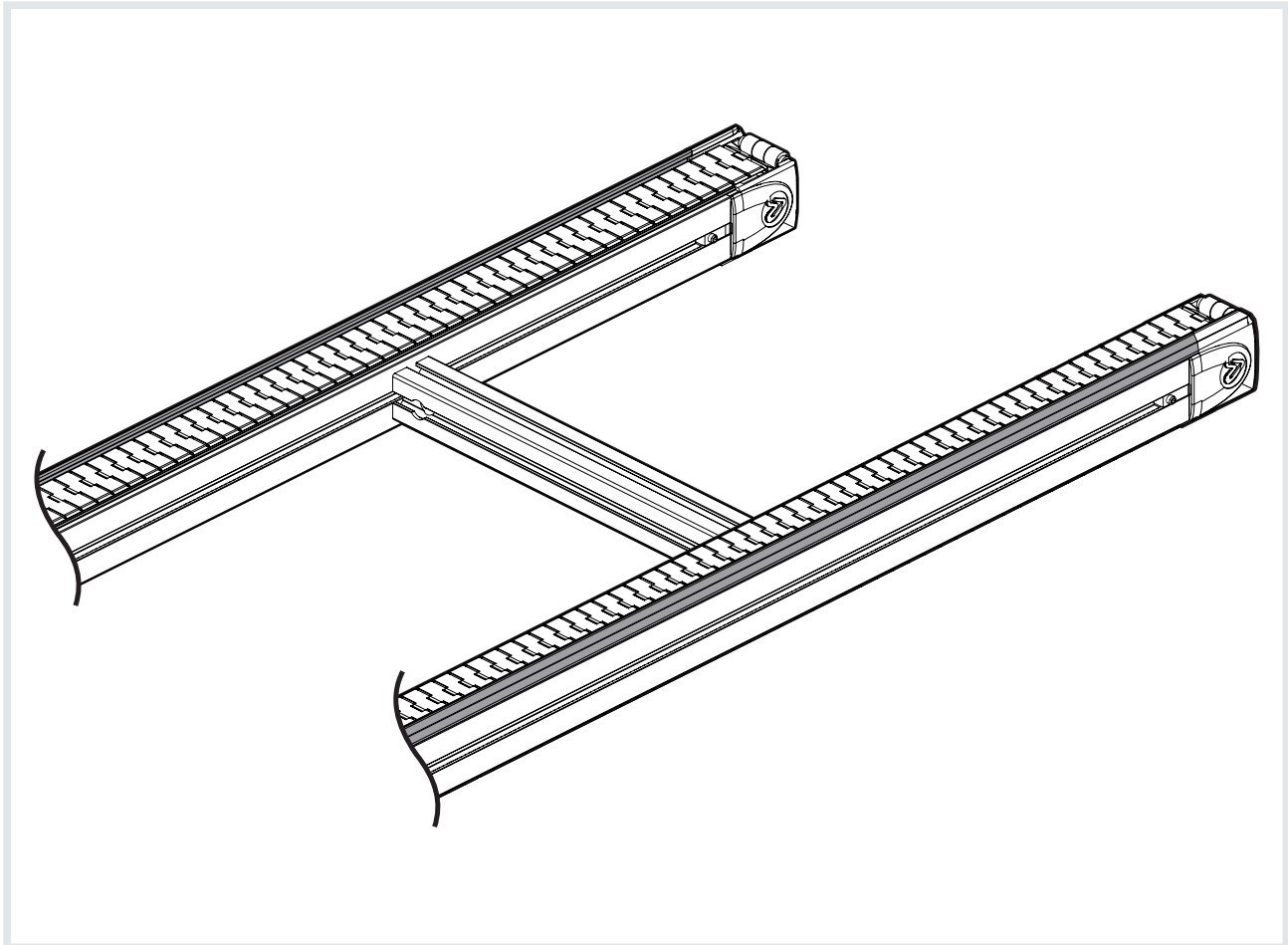


WLMR 135

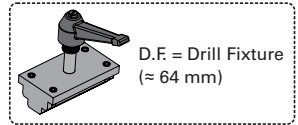
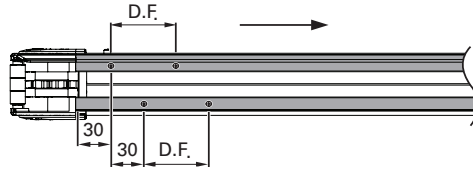
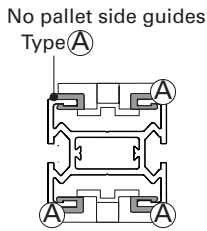
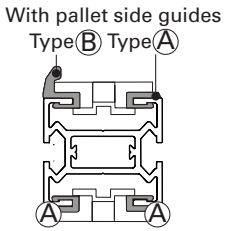
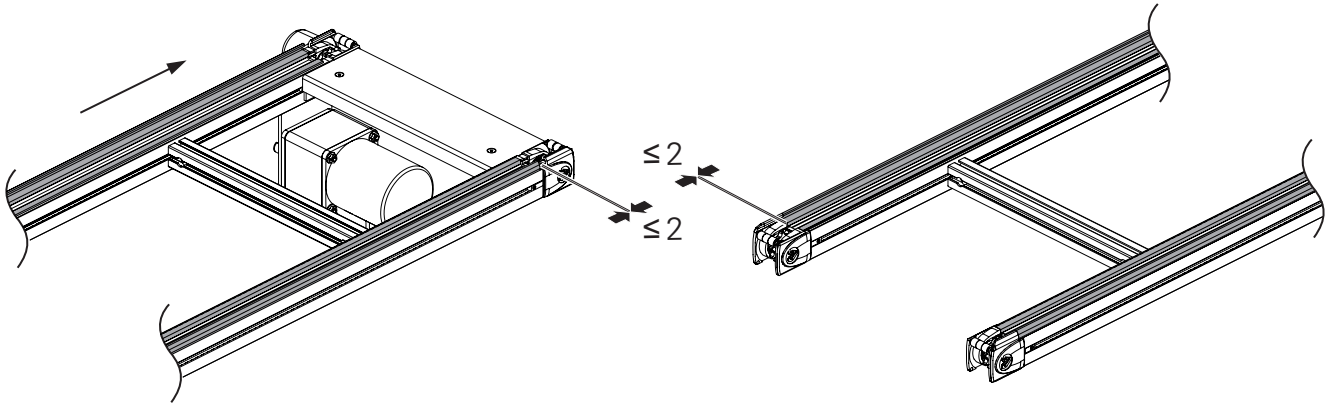




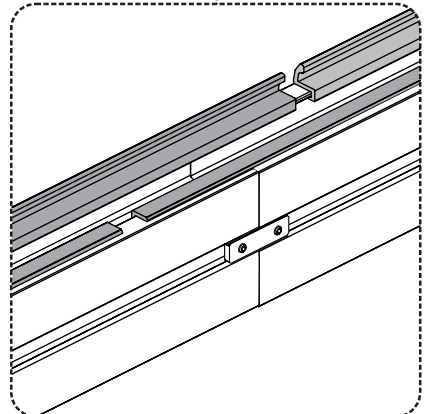
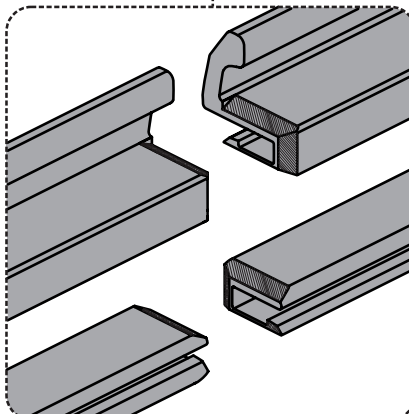
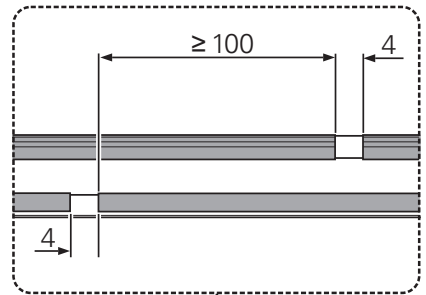
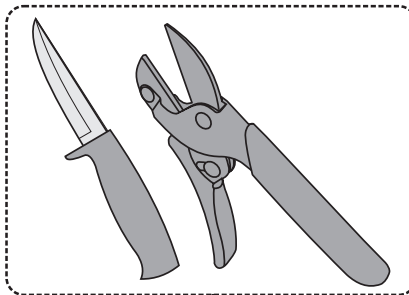
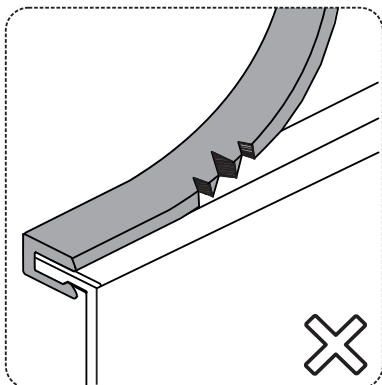
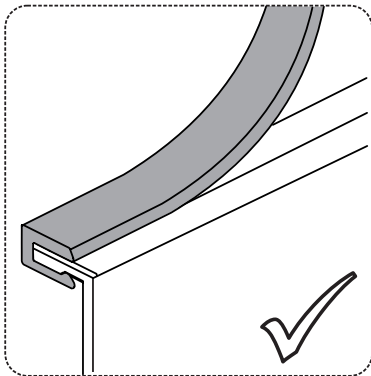
SLIDE RAIL ASSEMBLY XTC PALLET SYSTEM



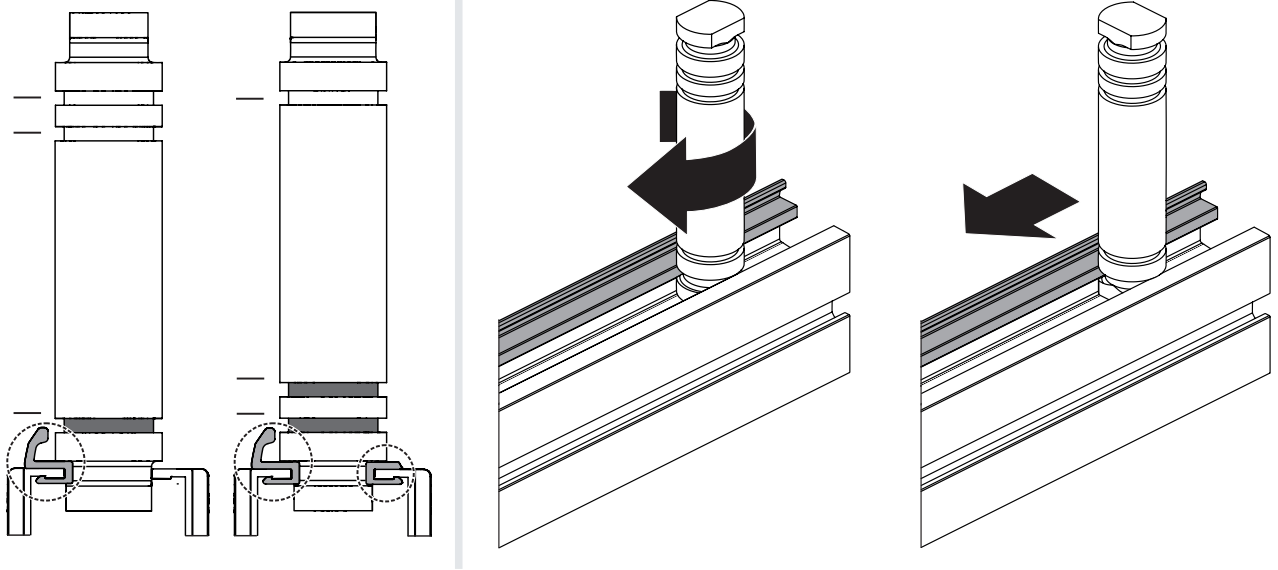
1



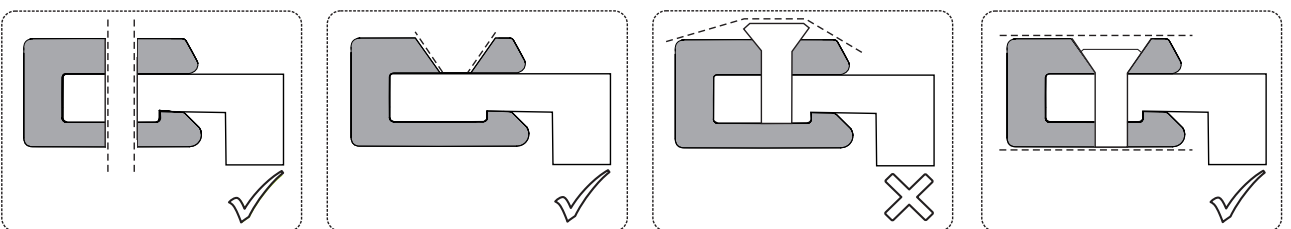
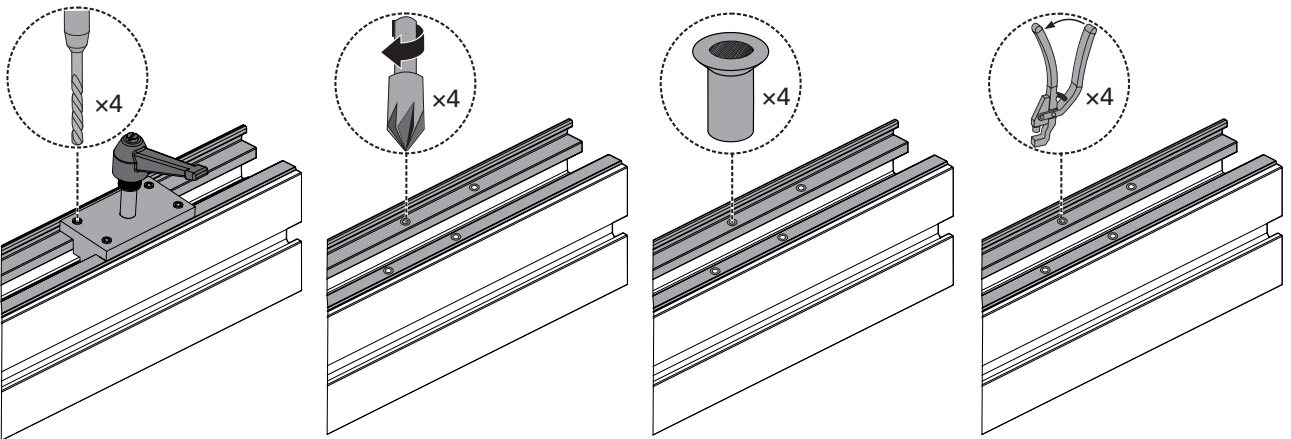
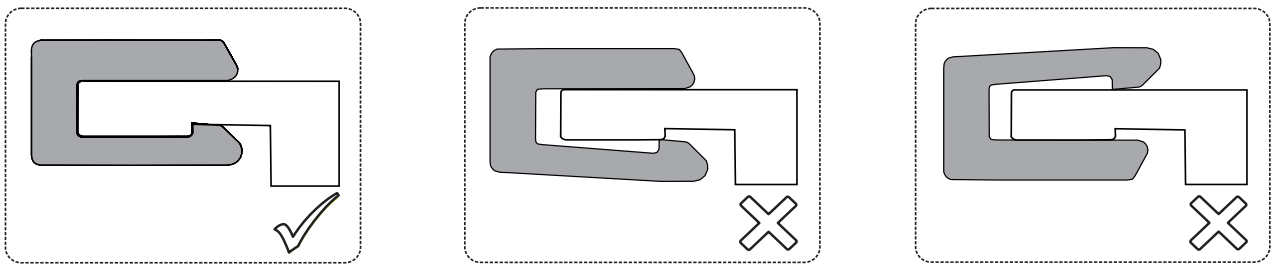
2



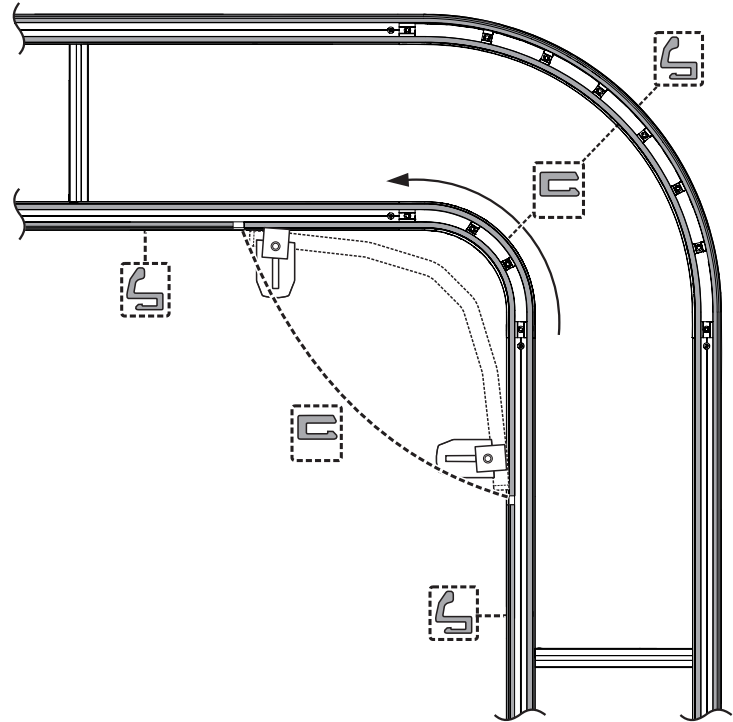
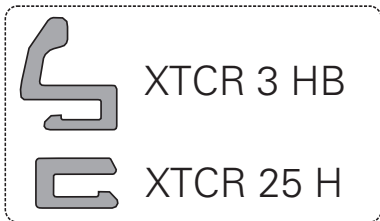
3



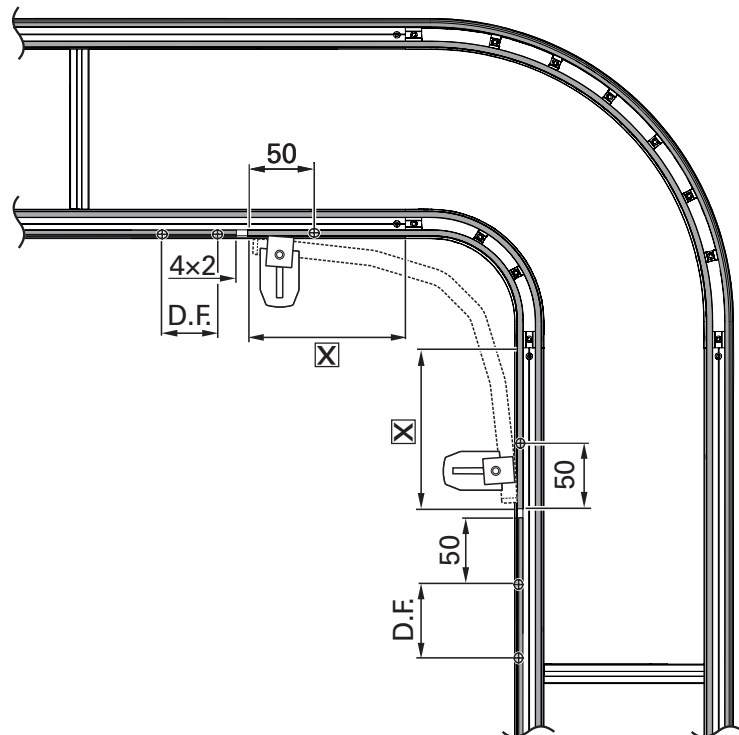
4



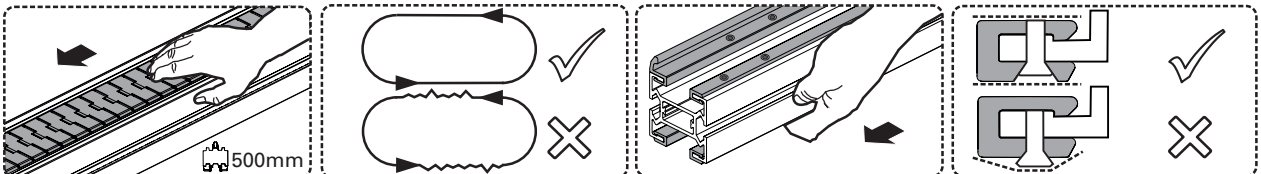
5



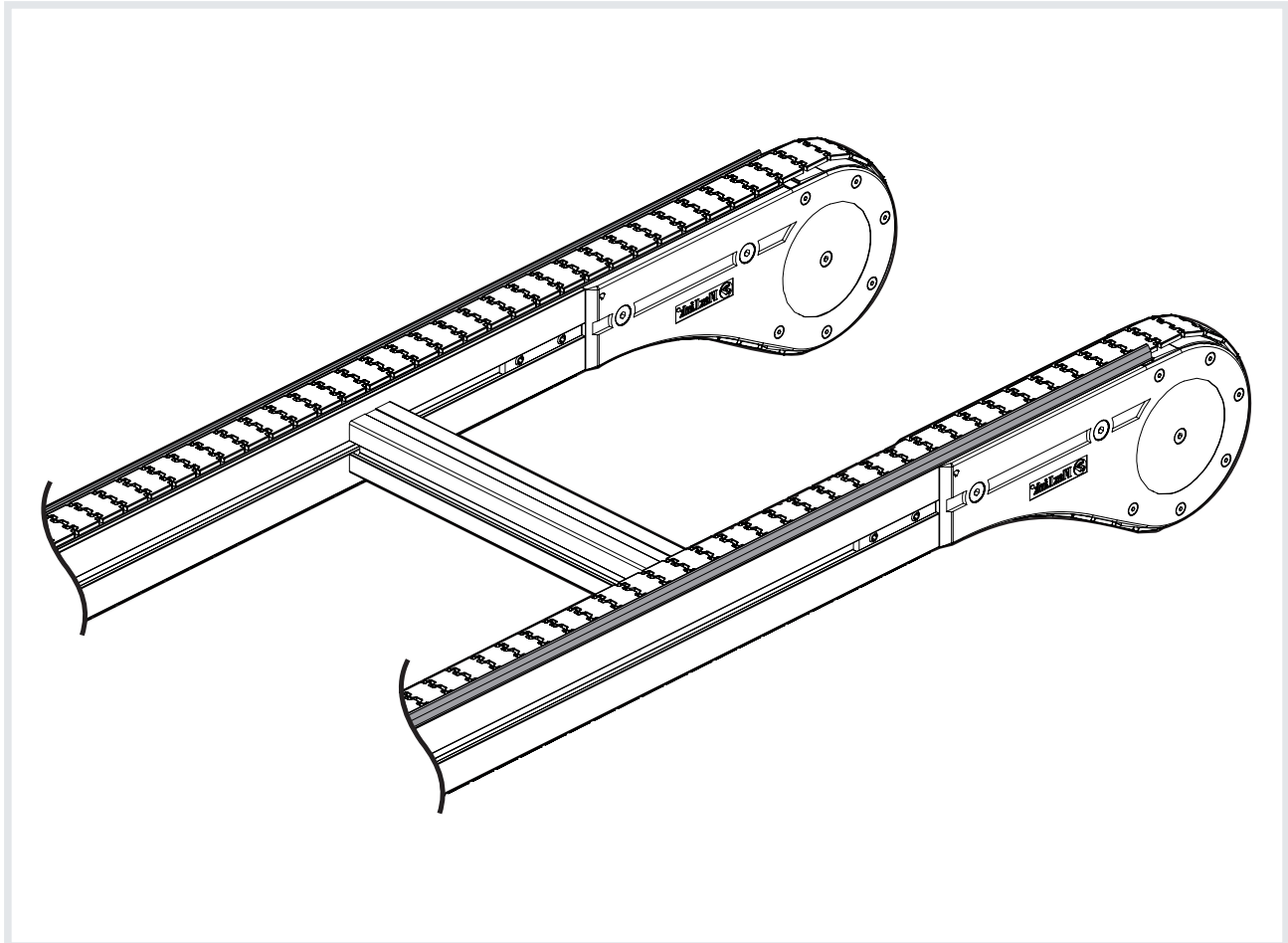
Pallet Size		X (mm)
PW	PL	
240	240	140
	320	142
320	240	140
	320	143
400	400	203
	320	147
	400	217
480	480	242
	640	392
	400	217
	480	203
640	640	428
	400	143
	480	217
	640	350

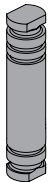
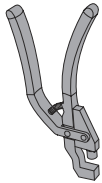
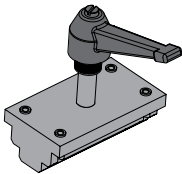
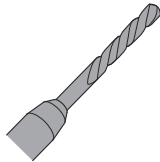
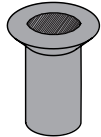

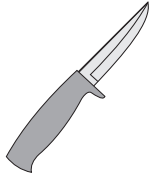
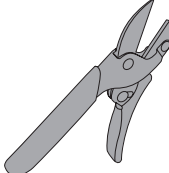


6

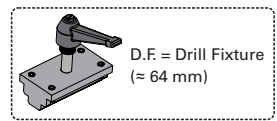
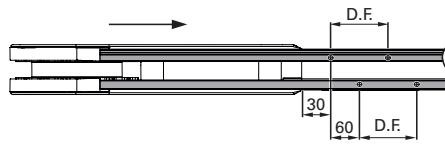
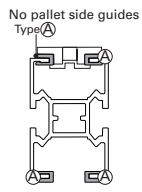
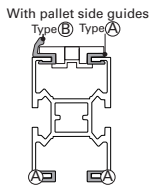
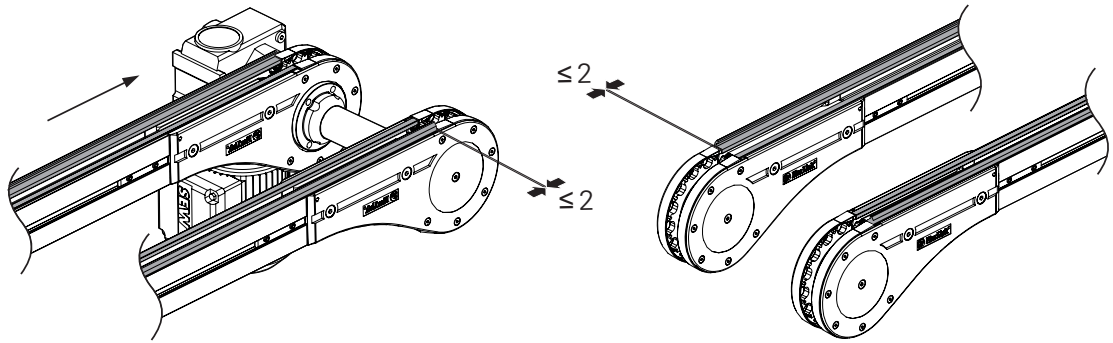


SLIDE RAIL ASSEMBLY XT PALLET SYSTEM

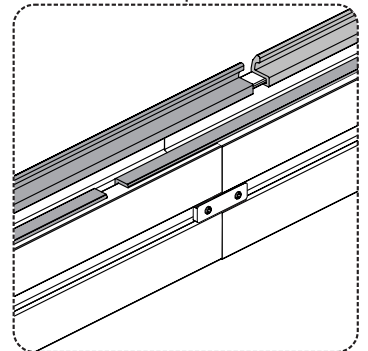
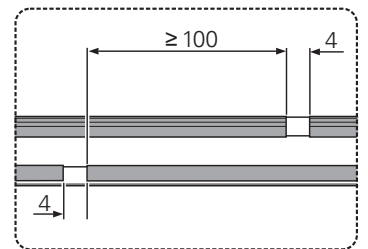
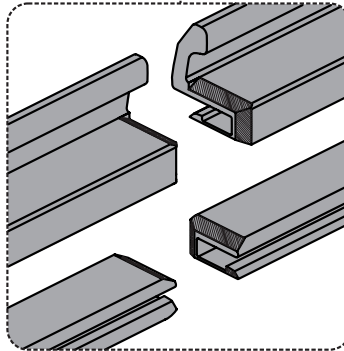
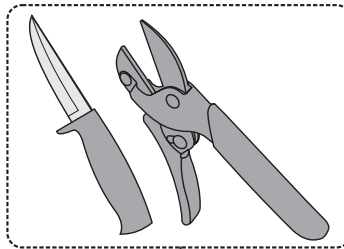
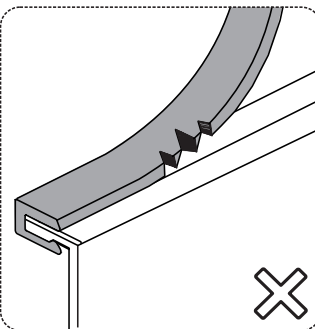
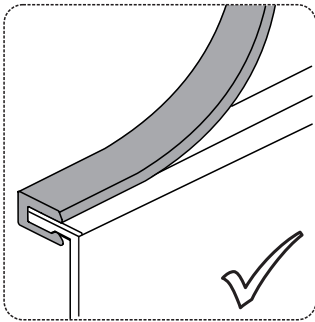


 <p>XTMR 160 A</p>	 <p>3923563</p>	 <p>3923584</p>	 <p>3,2 mm</p>	 <p>XLAH 3x6</p>
 <p>Ø 3-3,5 mm <--> 7-10 mm</p>	 <p>COUNTERSINK</p>	 <p>KNIFE</p>	 <p>PRUNER</p>	

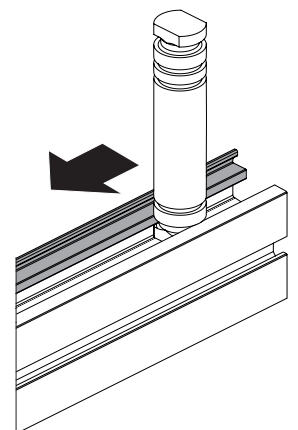
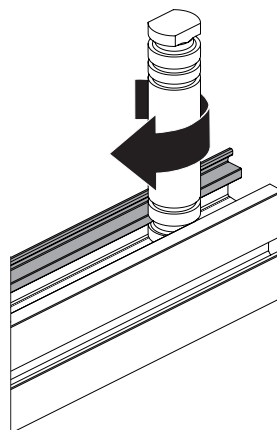
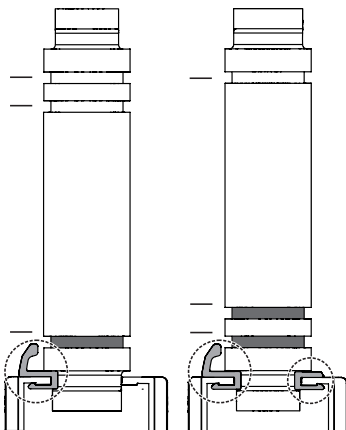
1



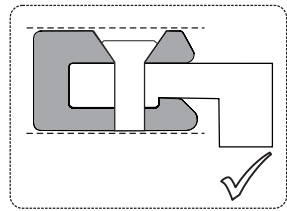
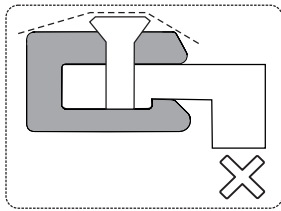
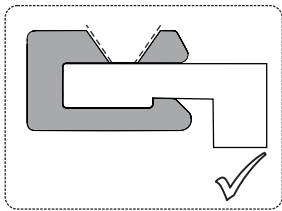
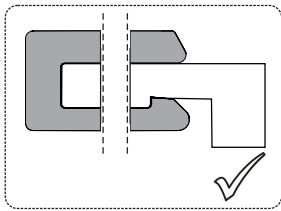
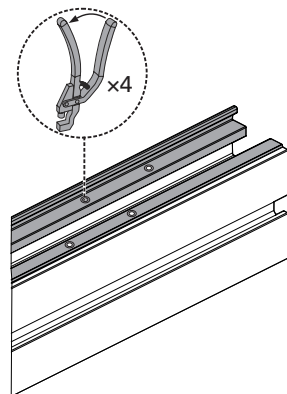
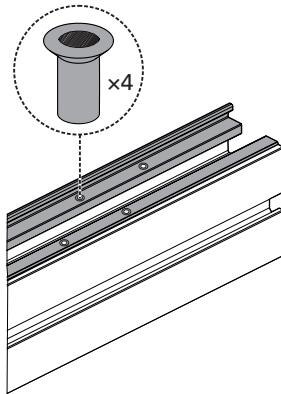
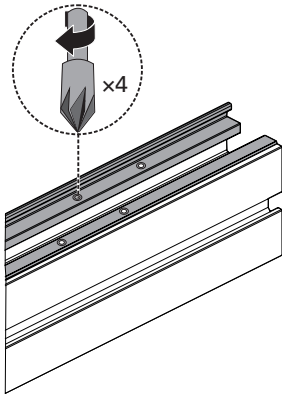
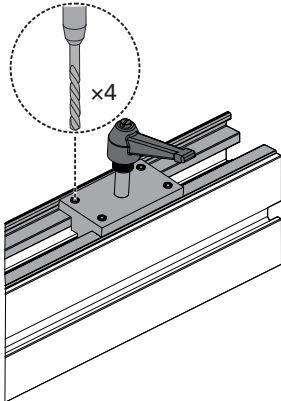
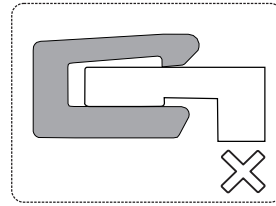
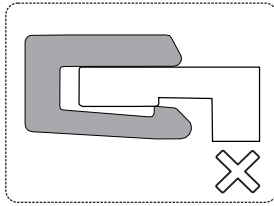
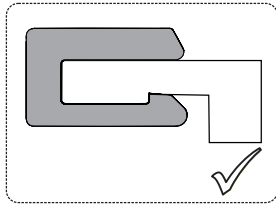
2



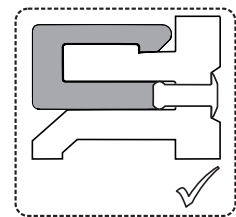
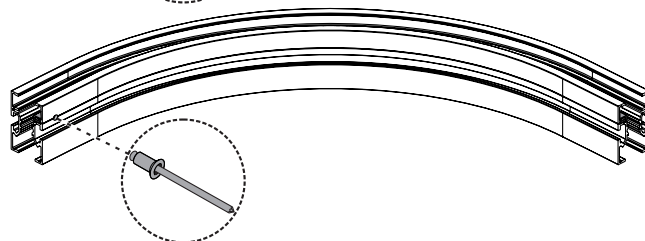
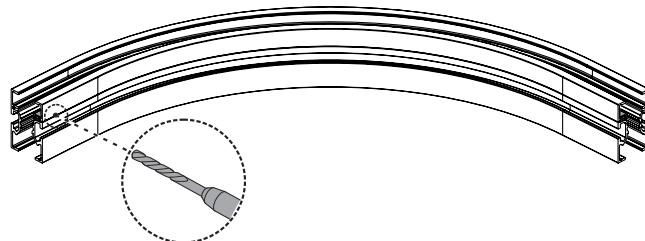
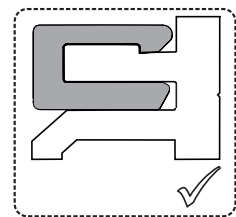
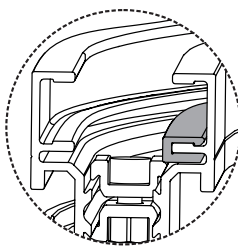
3



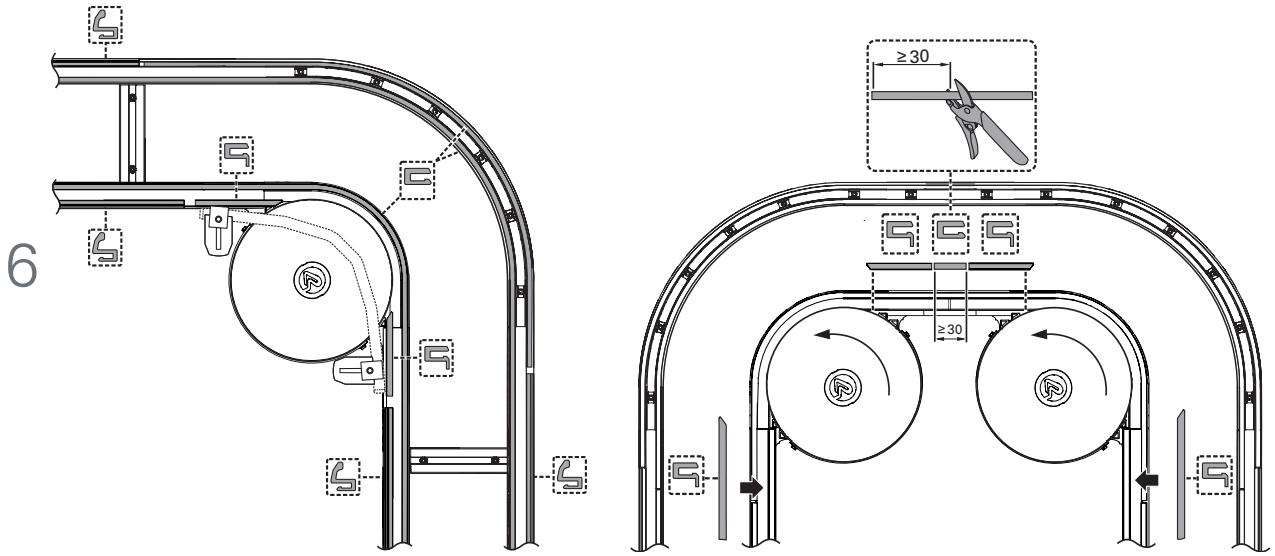
4



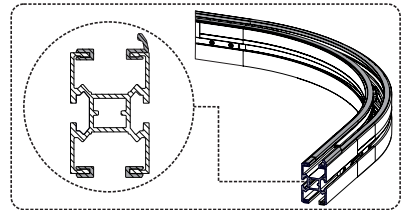
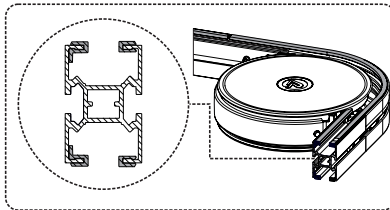
5



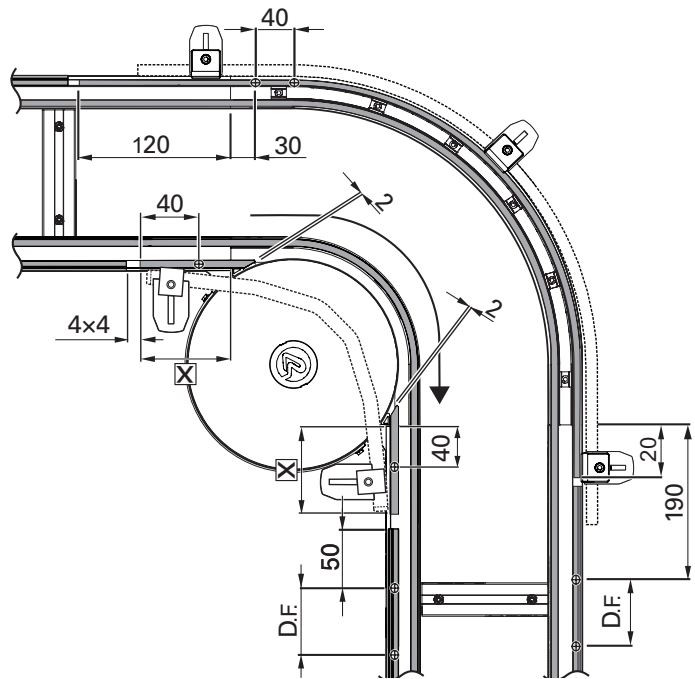
Use Pop Rivet
Diameter: 3.0-3.5mm
Length: 7-10 mm



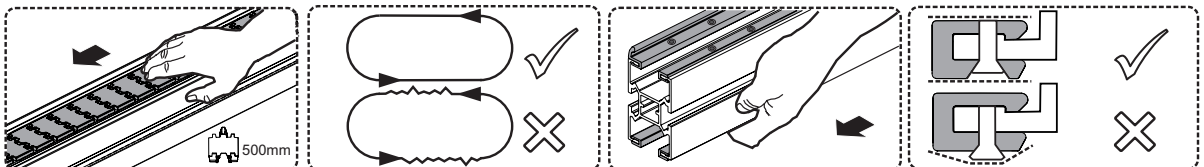
XTCR 3 HB
 XTCR 25 H
 5053697, 5053698
 (Slide rail kit 5053706)



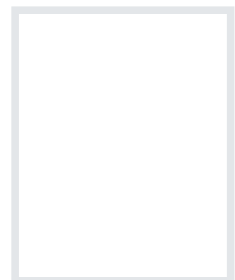
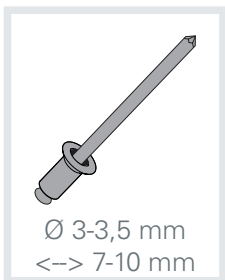
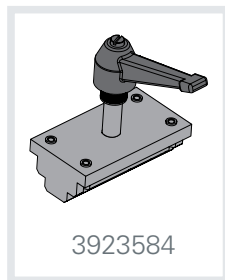
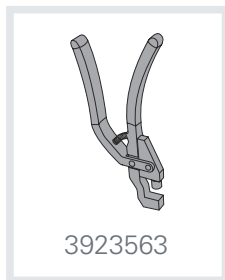
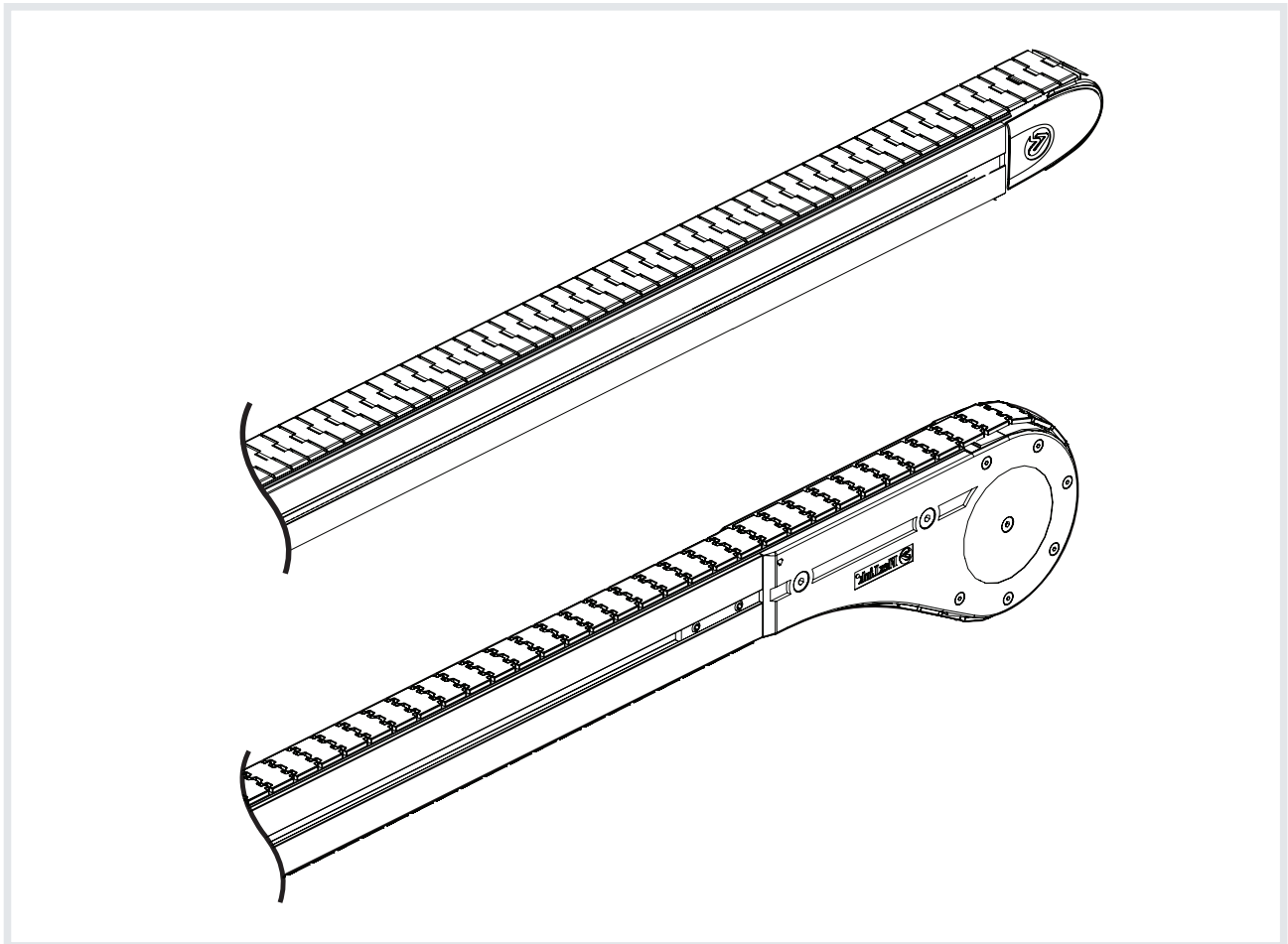
Pallet Size		X (mm)
PW	PL	
240	240	100
	320	102
320	240	100
	320	103
400	400	163
	320	107
	400	177
480	480	202
	640	352
	400	177
	480	163
640	640	388
	400	103
	480	177
	640	310



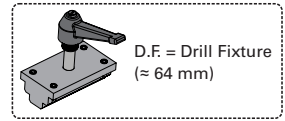
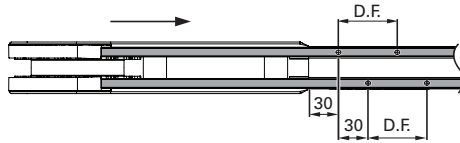
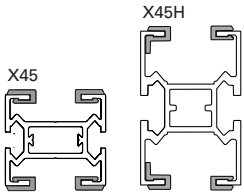
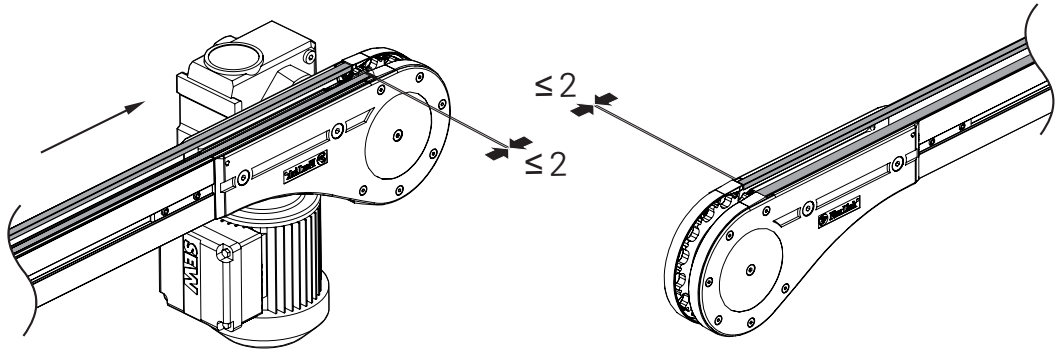
7



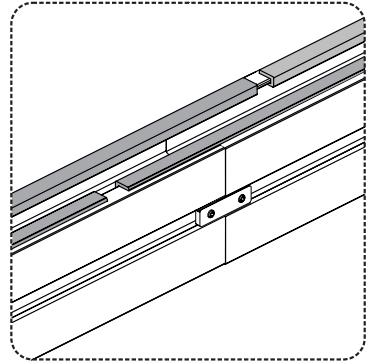
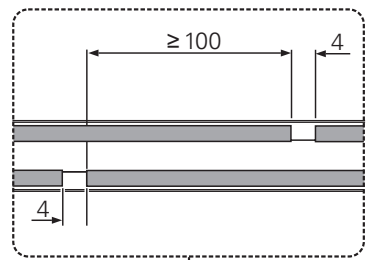
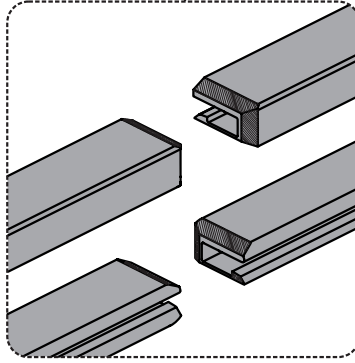
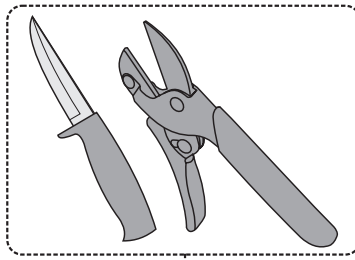
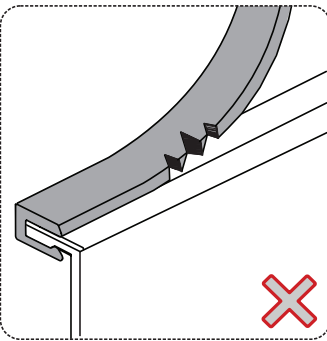
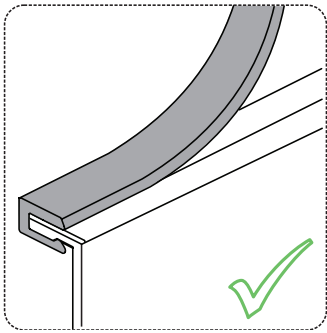
SLIDE RAIL ASSEMBLY X45C / X45H



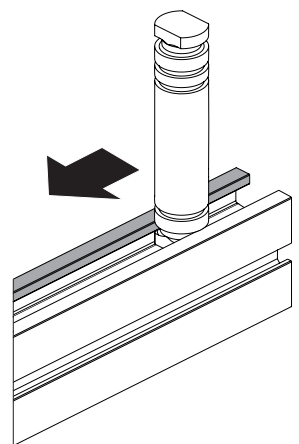
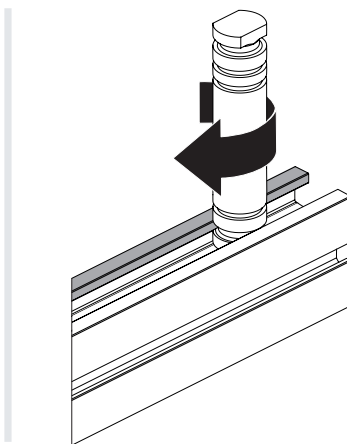
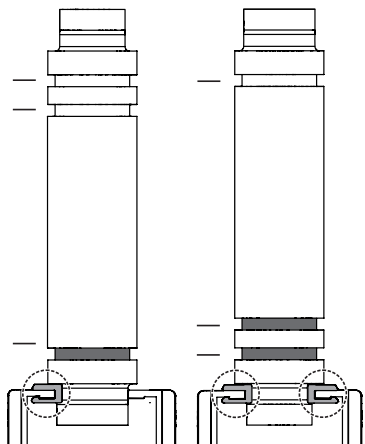
1



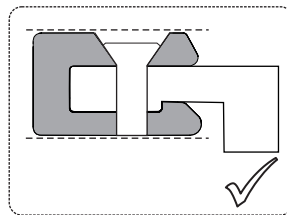
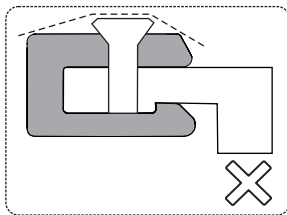
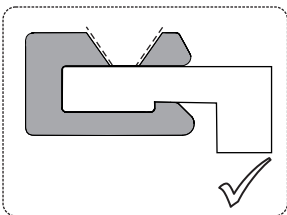
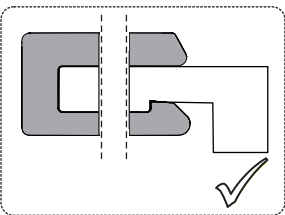
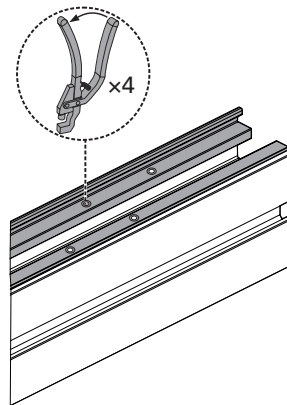
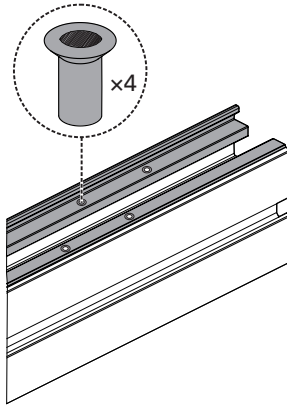
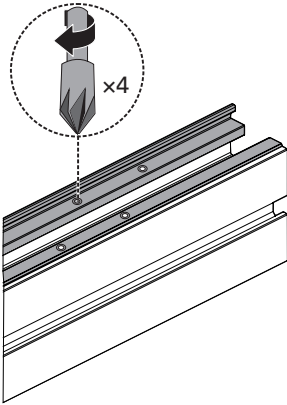
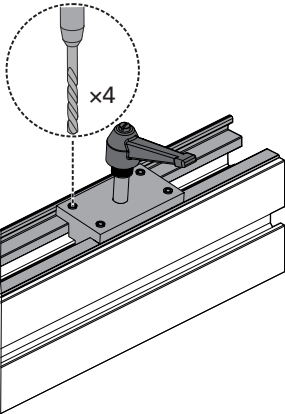
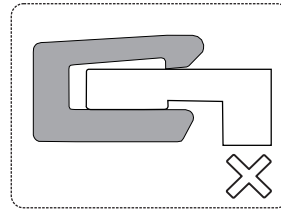
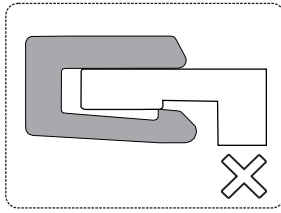
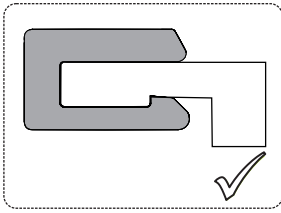
2



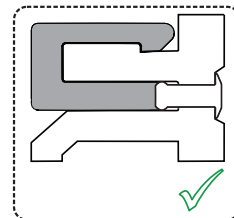
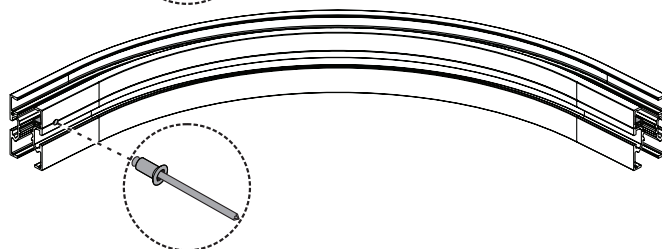
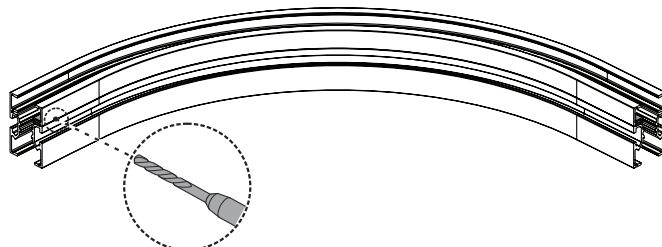
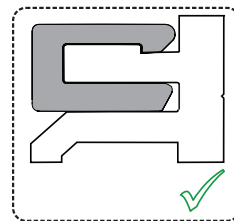
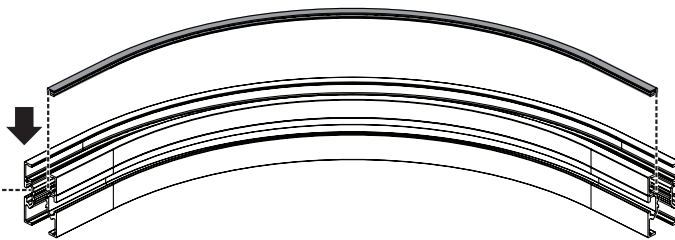
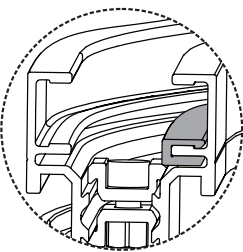
3



4

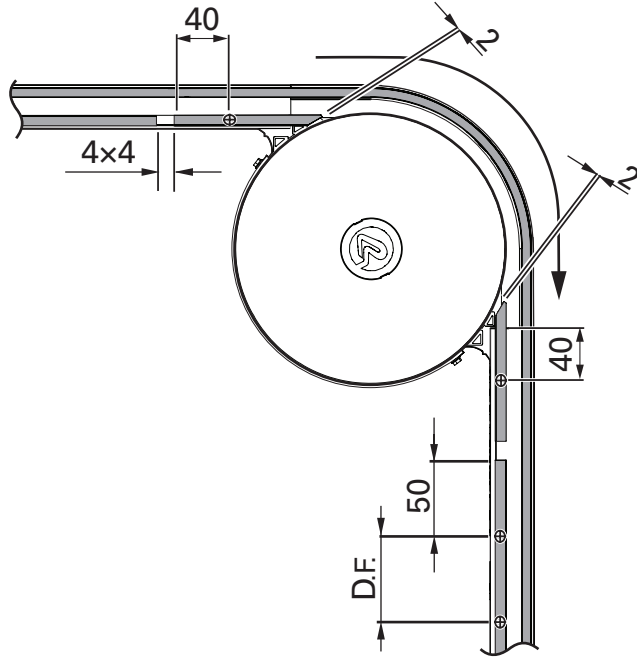
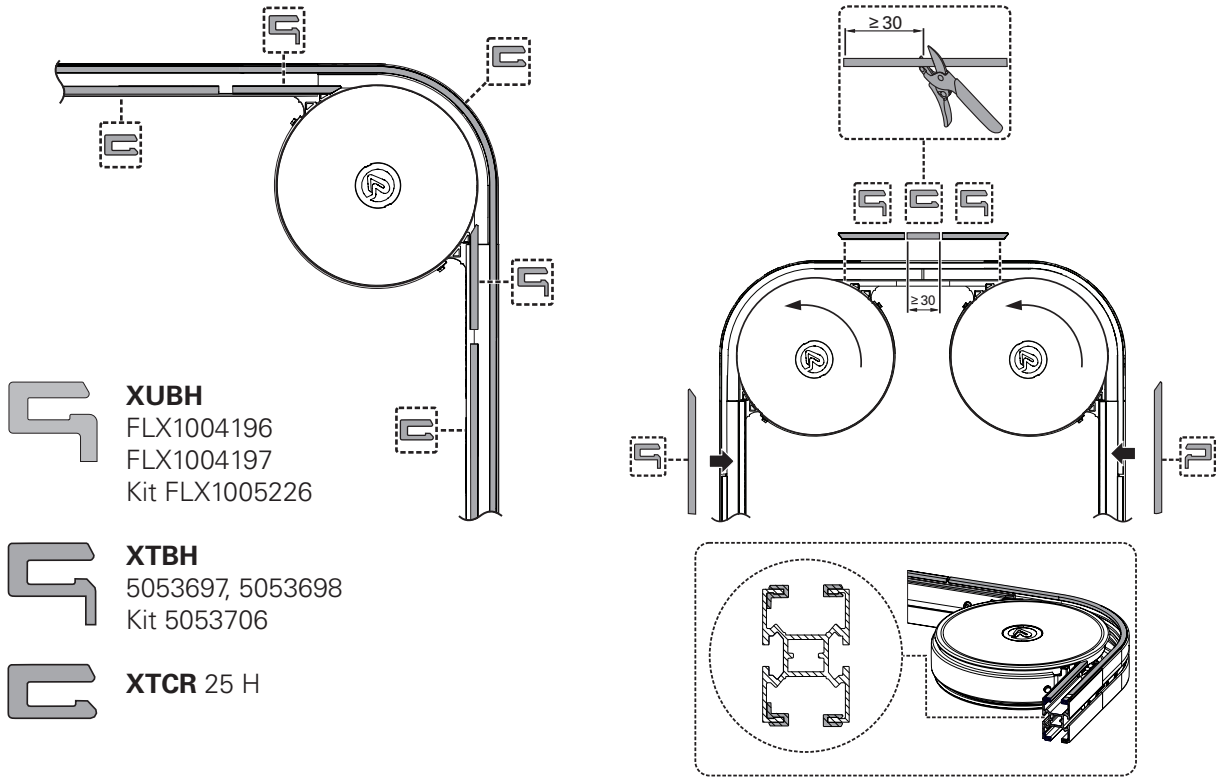


5

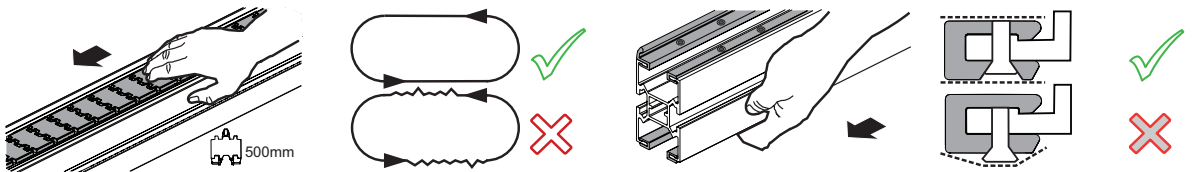


Use Blind Rivet
Diameter: 3.0-3.5mm
Length: 7-10 mm

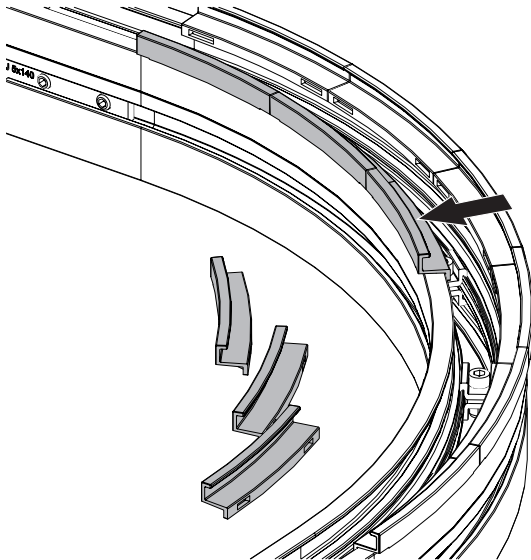
6



7



X45 P



Guide Kits

X45C

45° FLX1004763

90° FLX1004764

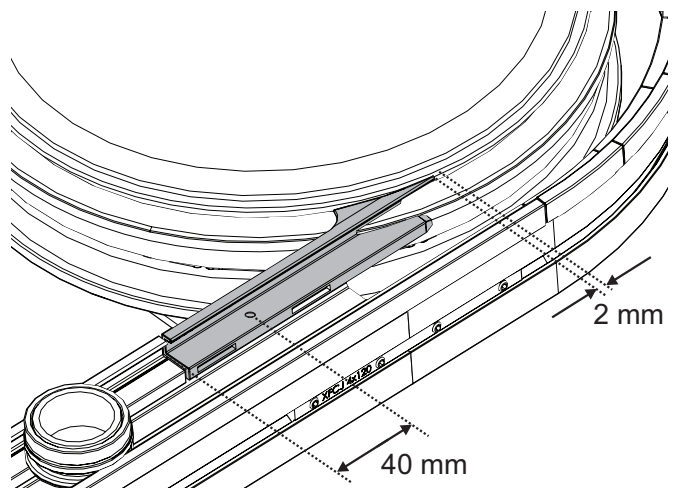
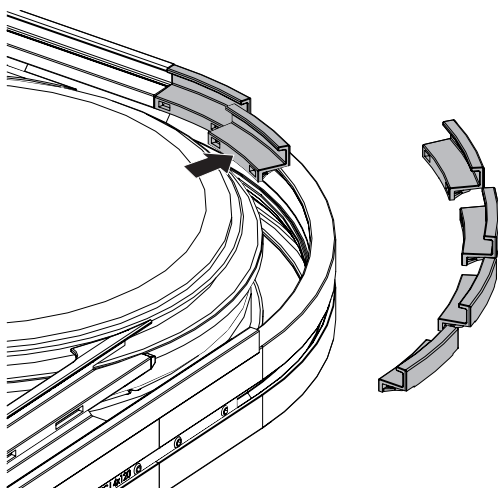
180° FLX1004765

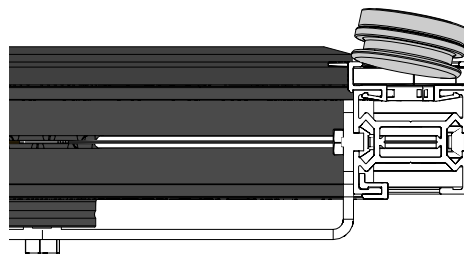
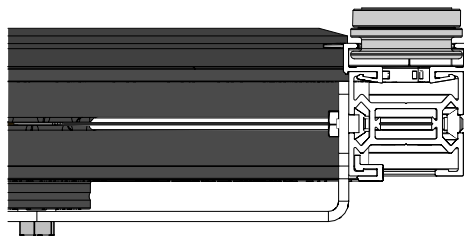
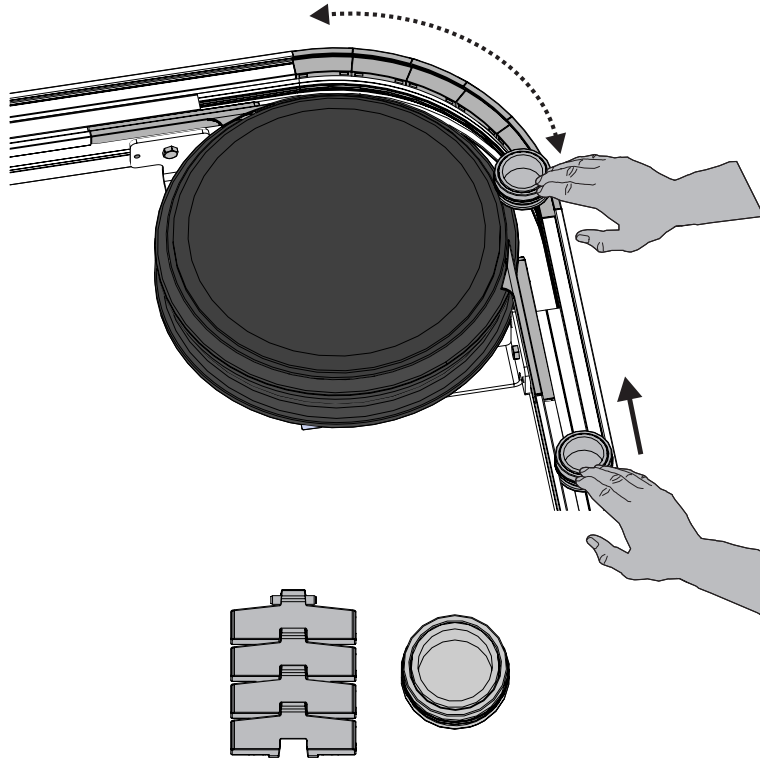
X45H

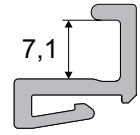
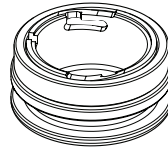
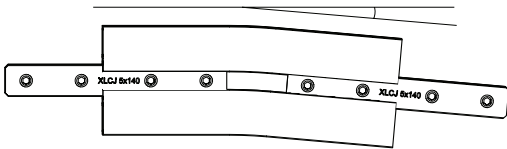
45° FLX1004836

90° FLX1004837

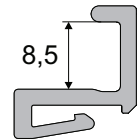
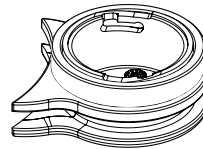
180° FLX1004838







XUCR 3 HAG



FLX1005074



a coesia company