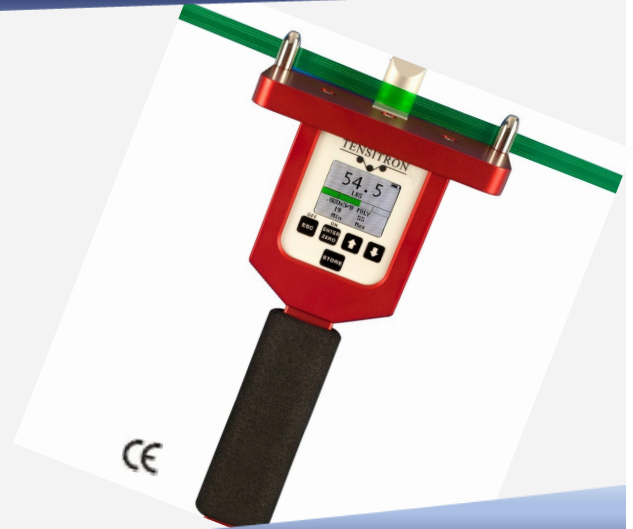


Take the guesswork out of tensioning straps, bands, and tie downs.

- Protects Products
- Improves Safety
- Saves Costs



Accurate, Convenient Tension Measurement

- Contacts engage easily onto straps that are tight against another surface
- Custom-calibrated for your straps or with standard menu of commonly-used strap sizes
- Tension ranges from 1 to 2,000 lb.
- Quick, easy, one-handed operation
- Lightweight, portable
- Durable, long-lasting construction
- Backlit, digital display
- Color-bar graphic provides quick visual of tension levels
- Selectable units (lb., kg, or daN)
- Data storage and statistics
- Analog or serial output (optional)
- Includes carrying case and NIST-traceable calibration certificate

Measures all kinds of stationary bands and straps

- Poly or steel straps and bands
- Woven tie-down and ratchet straps
- Fence wire
- Saw blades
- Baling wire or twine

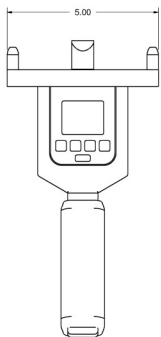
Used wherever products need to be safely secured

- Palletized cans, bottles, or food products
- Stacks or bundles of lumber, glass, or bricks
- Appliances
- Corrugated packaging and other paper products
- Rail cars, truck loads

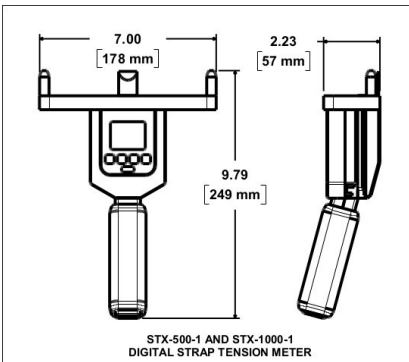
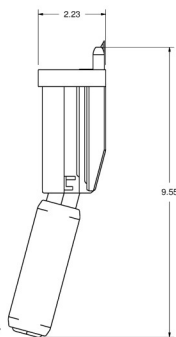
Models

Style	Model	Range	Accuracy +/- Full-scale	Resolution	Menu Selections
STX-1 Calibrated for your strap(s)	STX-250-1	1 - 250 lb.	2% (2.5 lb.)	0.2 lb.	Provide WIDTH, THICKNESS, and MATERIAL (poly , nylon, or steel) of each strap you'd like included in the menu. Up to 10 calibrations are available.
	STX-500-1	25 - 500 lb.	2% (5 lb.)	1 lb.	
	STX-1000-1	50 - 1,000 lb.	2% (10 lb.)	5 lb.	
	STX-2000-1	100 - 2,000 lb.	2% (40 lb.)	1 lb.	
STXM-1 Menu includes a fixed selection of popular strap sizes. (Select according to strap thickness.)	STXM-250-1	1 - 250 lb.	3% (7.5 lb.)	0.2 lb.	.010" - .020" poly .021" - .026" poly .027" - .032" poly
	STXM-500-1	25 - 500 lb.	3.5% (17.5 lb.)	1 lb.	.017" - .026" poly .027" - .032" poly .033" - .040" poly
	STXM-1000-1	50 - 1,000 lb.	4% (40 lb.)	5 lb.	.020" - .034" poly .035" - .042" poly .043" - .050" poly
	STXM-1000-SC-1	50 - 1,000 lb.	4% (40 lb.)	5 lb.	.020" - .034" poly .035" - .042" poly .017" - .024" steel .025" - .035" steel
	STXM-2000-1	100 - 2,000 lb.	4% (80 lb.)	10 lb.	.020" - .029" poly .030" - .042" poly .043" - .055" poly .017" - .024" steel .025" - .035" steel .036" - .044" steel

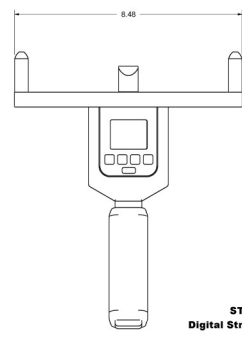
For moving straps and bands consider a BTX-1 tension meter.



STX-250-1
Digital Strap Tension Meter



STX-500-1 AND STX-1000-1
DIGITAL STRAP TENSION METER



STX-2000-1
Digital Strap Tension Meter

