

Cranked handles

Zinc die casting

SPECIFICATION

Body

- Zinc die casting
- plastic coated, black, textured finish
- hub machined

Cylindrical Revolving handles GN 598 (see page 573)

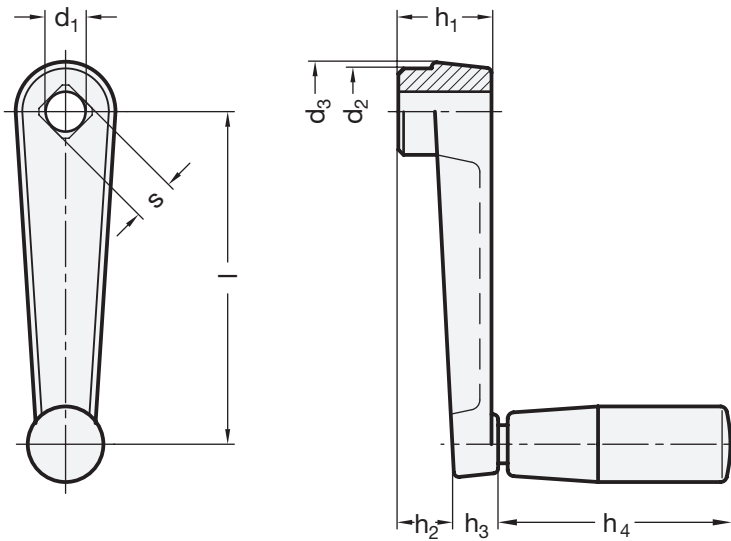
- Plastic, technopolymer, black matt
- Spindle steel, zinc plated, blue passivated

INFORMATION

- Cranked handles GN 471 (see page 196)

TECHNICAL INFORMATION

- Square DIN 79 (see page A16)
- Cross holes GN 110 (see page A17)
- ISO-Fundamental Tolerances (see page A21)



GN 471.1

Description	l	d1 H7	s H11	d2	d3	h1	h2	h3	h4 ≈	Ø Handle	Δ
GN 471.1-50-B8	50	B 8	-	16	18	18	10	10	28,5	14	70
GN 471.1-50-V8	50	-	V 8	16	18	18	10	10	28,5	14	58
GN 471.1-64-B10	64	B 10	-	19	22	20	11	12	42,5	18	100
GN 471.1-64-V10	64	-	V 10	19	22	20	11	12	42,5	18	97
GN 471.1-80-B10	80	B 10	-	23	26	24	14	14	52,5	21	170
GN 471.1-80-V10	80	-	V 10	23	26	24	14	14	52,5	21	162
GN 471.1-100-B12	100	B 12	-	27	30	28	17	15	67,5	23	275
GN 471.1-100-V12	100	-	V 12	27	30	28	17	15	67,5	23	270

