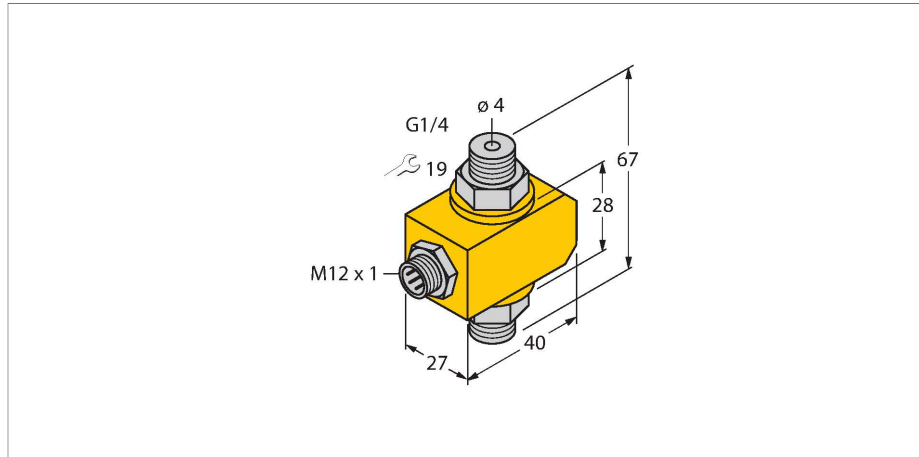


FCI-D04A4P-NA-H1141

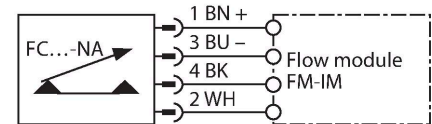
Flow Monitoring – Inline Sensor with Separate Processor



Features

- Flow sensor for liquid media
- Calorimetric principle
- Adjustment via potentiometer on processor
- Status indicated via LED chain on signal processor
- Operating range 0.01...1 l/min
- Connector device, M12 × 1
- 4-wire connection to the processor

Wiring diagram



Functional principle

The function of the inline flow sensors is based on the thermo-dynamic principle. Heat is generated in a measuring tube and absorbed by the flowing medium. The transported heat loss is thus a measure of the flow speed. Thus TURCK's wear-free flow sensors reliably monitor the flow of gaseous and liquid media. A low pressure drop and fast response to flow rate variations are the outstanding features of these devices.

Technical data

Ident. no.	6870638
Type	FCI-D04A4P-NA-H1141
Mounting	Inline sensor
Flow operating range	0,01...1 l/min
Stand-by time	5 s
Switch-on time	0.5...1 s
Switch-off time	0.5...1 s
Temperature jump, response time	max. 12 s
Temperature gradient	≤ 400 K/min
Medium temperature	0...+80 °C
Ambient temperature	-20...+70 °C
Protection class	IP67
Design	Inline
Housing material	Plastic, PBT
Sensor material	Stainless steel, 1.4571 (AISI 316Ti)
Max. tightening torque of housing nut	30 Nm
Electrical connection	Connector, M12 × 1
Process Pressure	20 bar
Process connection	G 1/4"