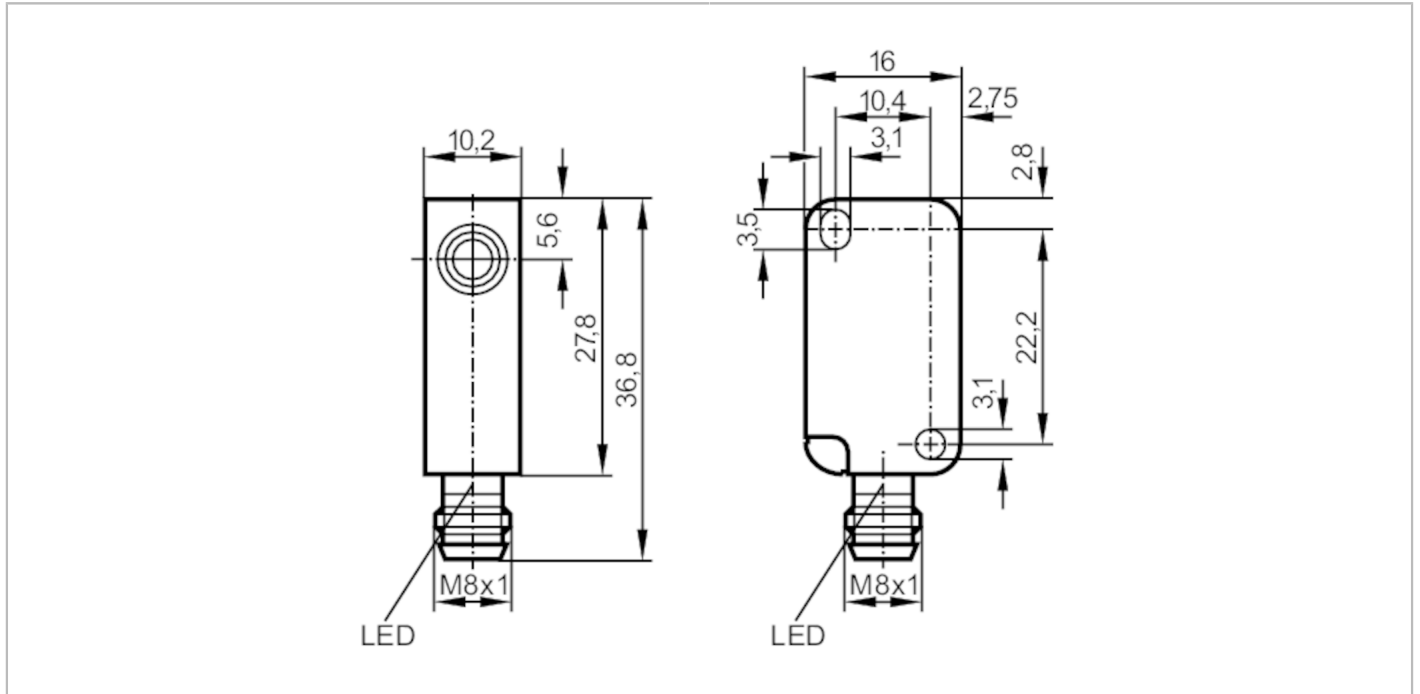


MS5013



Magnetic sensor

MS-3060-APKG/AS



Product characteristics

Electrical design		PNP
Output function		normally closed
Sensing range	[mm]	60; (referred to magnet M 4.0)
Housing		rectangular
Dimensions	[mm]	28 x 10 x 16

Application

System		gold-plated contacts
--------	--	----------------------

Electrical data

Operating voltage	[V]	10...30 DC
Current consumption	[mA]	< 10
Protection class		III
Reverse polarity protection		yes

Outputs

Electrical design		PNP
Output function		normally closed
Max. voltage drop switching output DC	[V]	2.5
Permanent current rating of switching output DC	[mA]	200
Switching frequency DC	[Hz]	5000
Short-circuit protection		yes
Overload protection		yes

Monitoring range

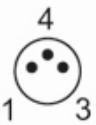
Sensing range	[mm]	60; (referred to magnet M 4.0)
---------------	------	--------------------------------

MS5013



Magnetic sensor

MS-3060-APKG/AS

Accuracy / deviations		
Hysteresis	[% of Sr]	1...10
Operating conditions		
Ambient temperature	[°C]	-25...75
Protection		IP 67
Tests / approvals		
EMC	EN 61000-4-2 ESD	4 kV CD / 8 kV AD
	EN 61000-4-3 HF radiated	10 V/m
	EN 61000-4-4 Burst	2 kV
	EN 61000-4-5 Surge	0,5 kV line to line, Ri: 2 Ohm
	EN 61000-4-6 HF conducted	10 V
	EN 55011	class B
MTTF	[years]	2847
Mechanical data		
Weight	[g]	18
Housing		rectangular
Dimensions	[mm]	28 x 10 x 16
Material		housing: PBT orange
Displays / operating elements		
Display	Switching status	1 x LED, yellow
Remarks		
Pack quantity		1 pcs.
Electrical connection - plug		
Connector: 1 x M8; coding: A; Contacts: gold-plated		
		

MS5013

Magnetic sensor

MS-3060-APKG/AS



Connection

