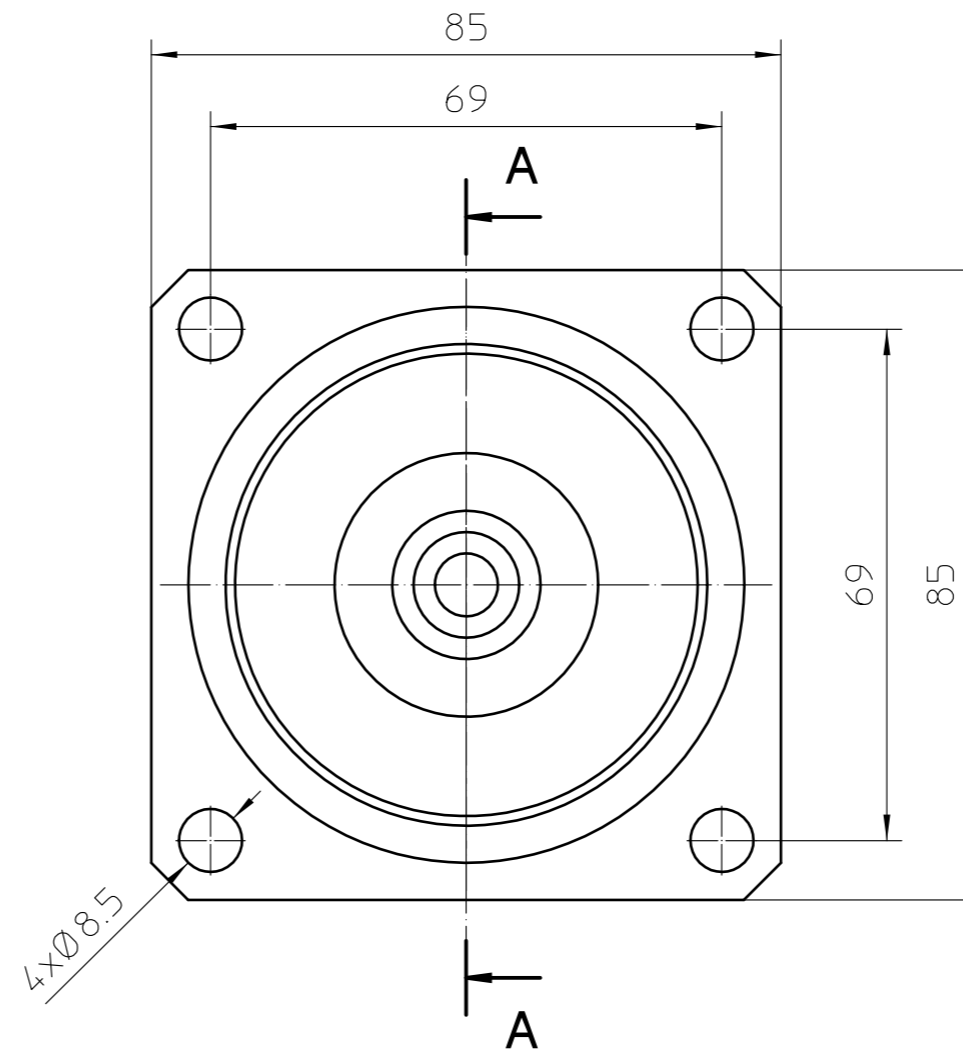
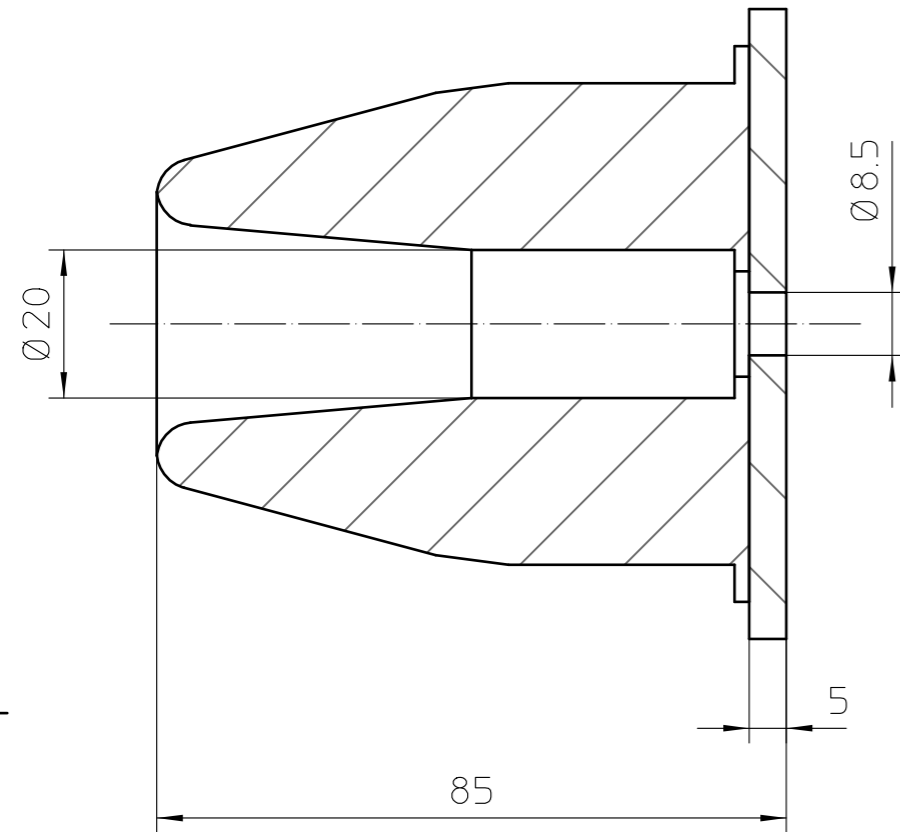


SECTION A-A



	VALIDO PER PRODUZIONE
Commissa N.	8338
Costruire N.	1
Data	14/05/19
Firma	
431045D00235113	

GOOD FOR EXECUTION

GRADUAL STOP "PAULSTRA" LEVAFLEX REF: 514085/60

PROJECT **CHIA FAR - SSP**
 ITEM **STRIP CLEANING**
 DESCRIPTION **GRADUAL STOP LEVAFLEX PAULSTRA REF 514085-60**

REV	DATE	DESCRIPTION
A	20/03/2019	FIRST ISSUE

Drawn by L. RINGOT	Checked by A. DA COSTA	Approved by A. DACOSTA	Date 09/05/2019	Material	Weight (kg) 0.6
ISO 128 	Format A3H	Scale 1/1	Order 41043	Item 1045	DWG No D00235113
			Rev B	Sheet 1/1	